

US00D564461S

(12) **United States Design Patent**
Kim et al.

(10) **Patent No.:** **US D564,461 S**
(45) **Date of Patent:** **** Mar. 18, 2008**

(54) **LIGHT EMITTING DIODE (LED)**
(75) Inventors: **Min Hong Kim**, Gyeonggi-do (KR);
Do Choul Woo, Seoul (KR); **Mi Gyeong Go**, Gyeonggi-do (KR); **Chung Hoon Lee**, Gyeonggi-do (KR)

6,386,733 B1 * 5/2002 Ohkohdo et al. 362/249
6,411,022 B1 * 6/2002 Machida 313/318.1
D497,884 S * 11/2004 Suenaga D13/180
7,161,189 B2 * 1/2007 Wu 257/98
7,217,012 B2 * 5/2007 Southard et al. 362/391

(73) Assignee: **Seoul Semiconductor Co. Ltd.**, Seoul (KR)

FOREIGN PATENT DOCUMENTS
JP D1147859 5/2002
TW 00534722 5/2003
TW D102016 12/2004

(**) Term: **14 Years**

* cited by examiner

(21) Appl. No.: **29/263,716**

Primary Examiner—Selina Sikder

(22) Filed: **Jul. 28, 2006**

(74) *Attorney, Agent, or Firm*—Townsend and Townsend and Crew LLP

(30) **Foreign Application Priority Data**
Mar. 29, 2006 (KR) 30-2006-0011613

(57) **CLAIM**

(51) **LOC (8) Cl.** **13-03**
(52) **U.S. Cl.** **D13/180**
(58) **Field of Classification Search** D13/179;
257/80, 81, 88, 89, 95, 100, 98, 99; 313/483,
313/498, 500; 362/555, 800; D26/2
See application file for complete search history.

The ornamental design for light emitting diode (LED), as shown and described.

(56) **References Cited**

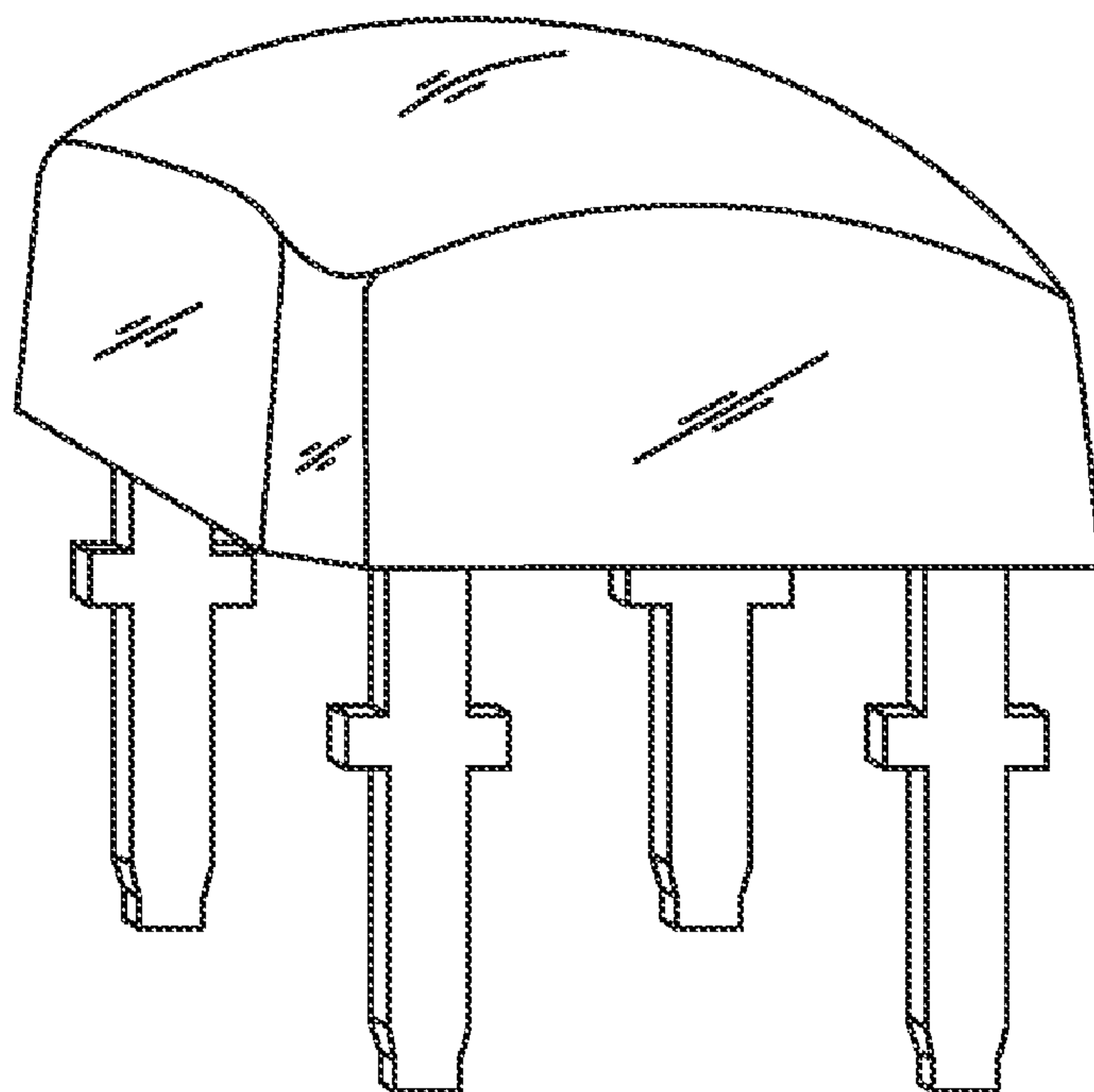
DESCRIPTION

U.S. PATENT DOCUMENTS

4,047,075 A * 9/1977 Schoberl 313/500
D288,805 S * 3/1987 Nishizawa D13/180
5,984,488 A * 11/1999 Tung 362/108
D432,095 S * 10/2000 Seeger et al. D13/182
D437,798 S * 2/2001 Kiba et al. D10/104

FIG. 1 is a perspective view of a light emitting diode (LED) showing my new design;
FIG. 2 is a front elevational view thereof;
FIG. 3 is a rear elevational view thereof;
FIG. 4 is a left side elevational view thereof;
FIG. 5 is a right side elevational view thereof;
FIG. 6 is a top plan view thereof; and,
FIG. 7 is a bottom plan view thereof.

1 Claim, 4 Drawing Sheets



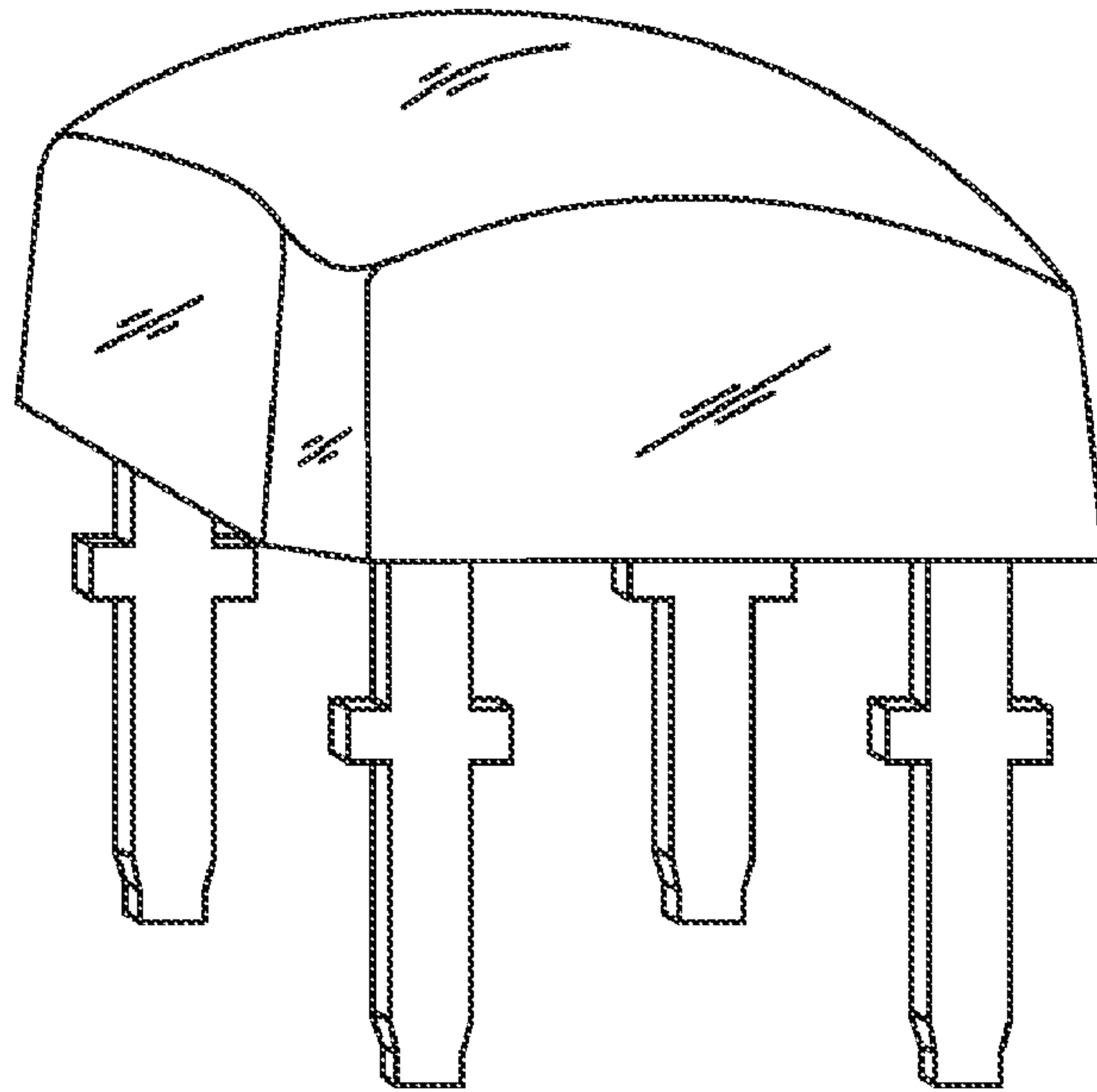


FIG. 1

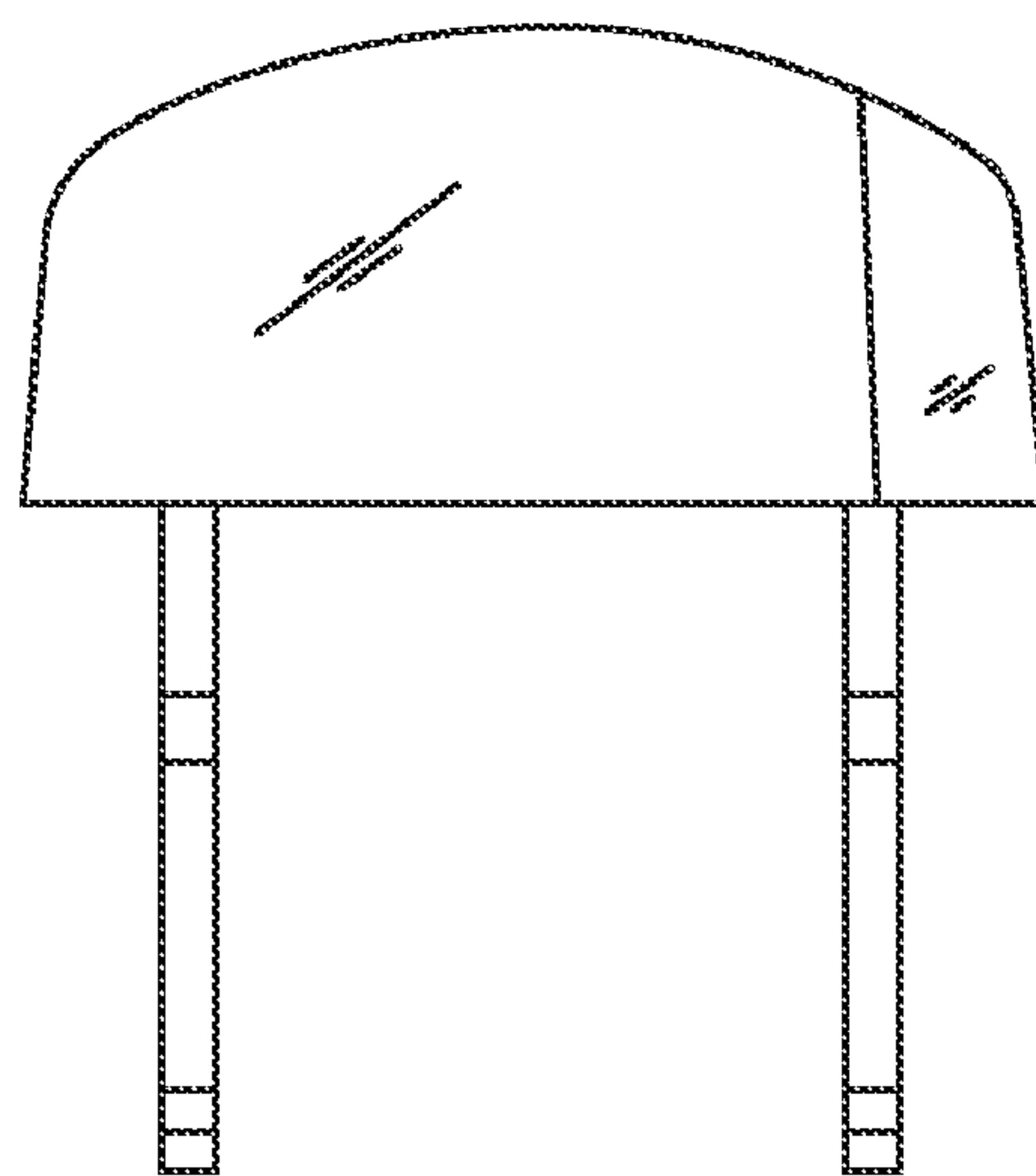


FIG. 2

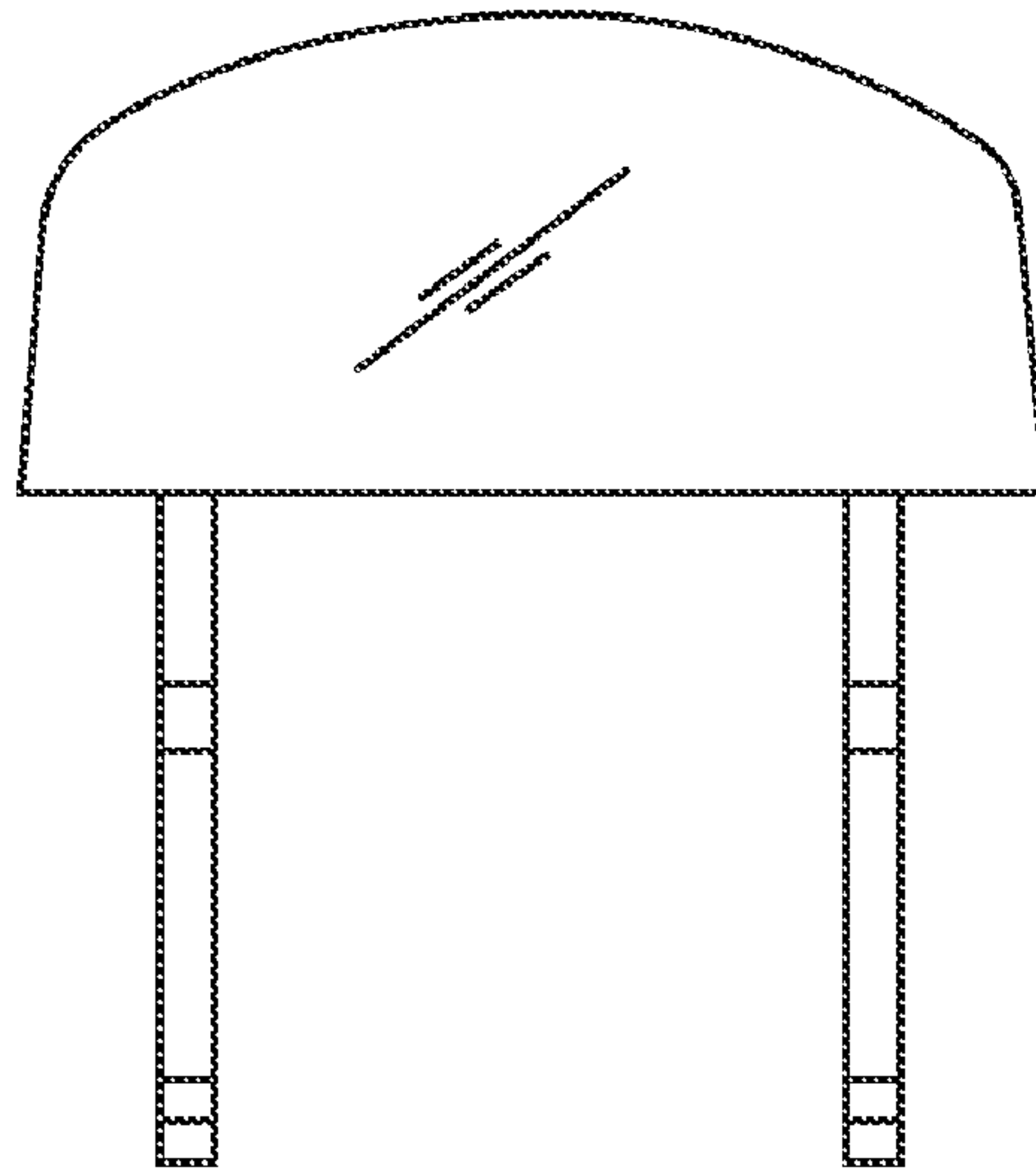


FIG. 3

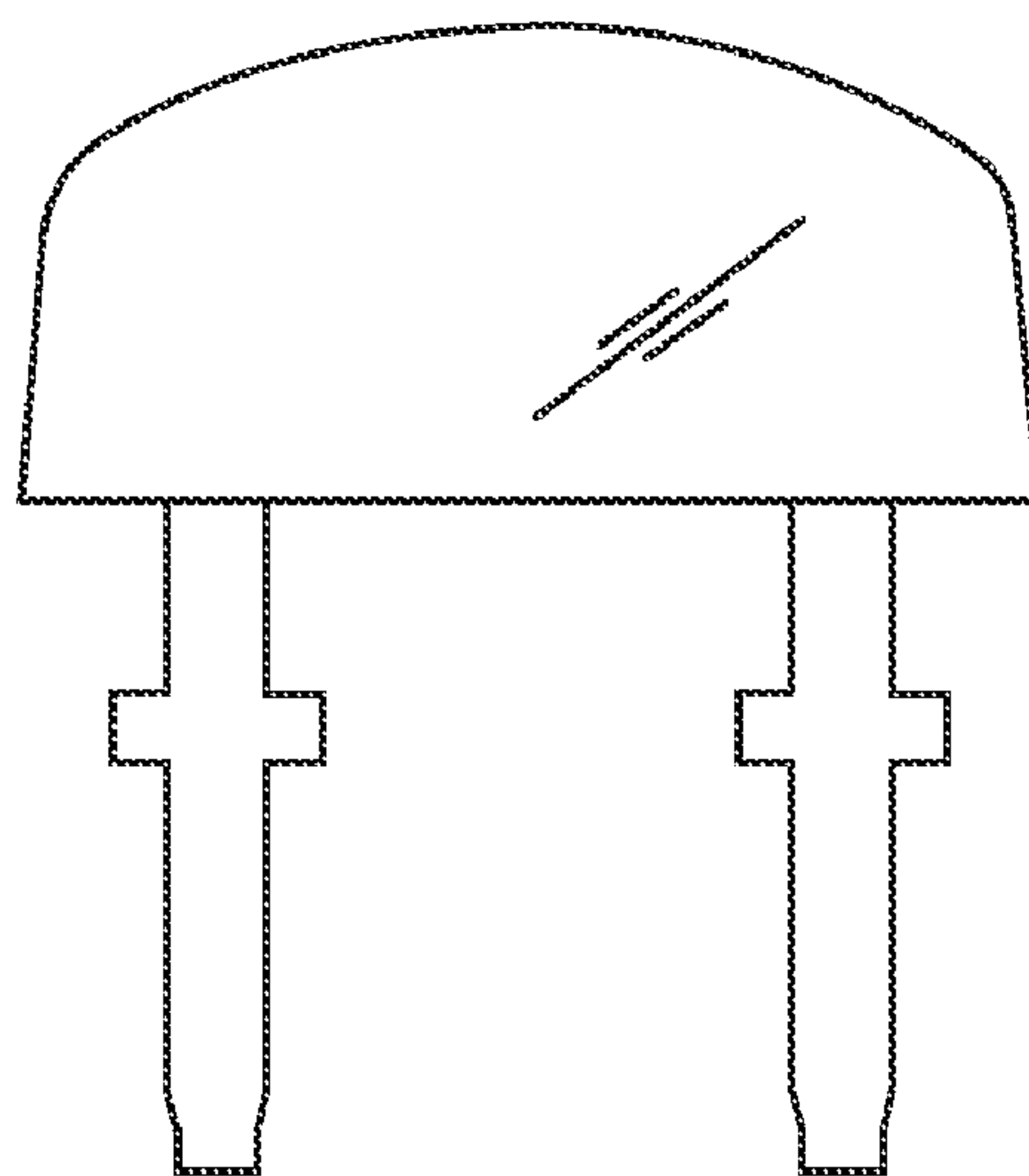


FIG. 4

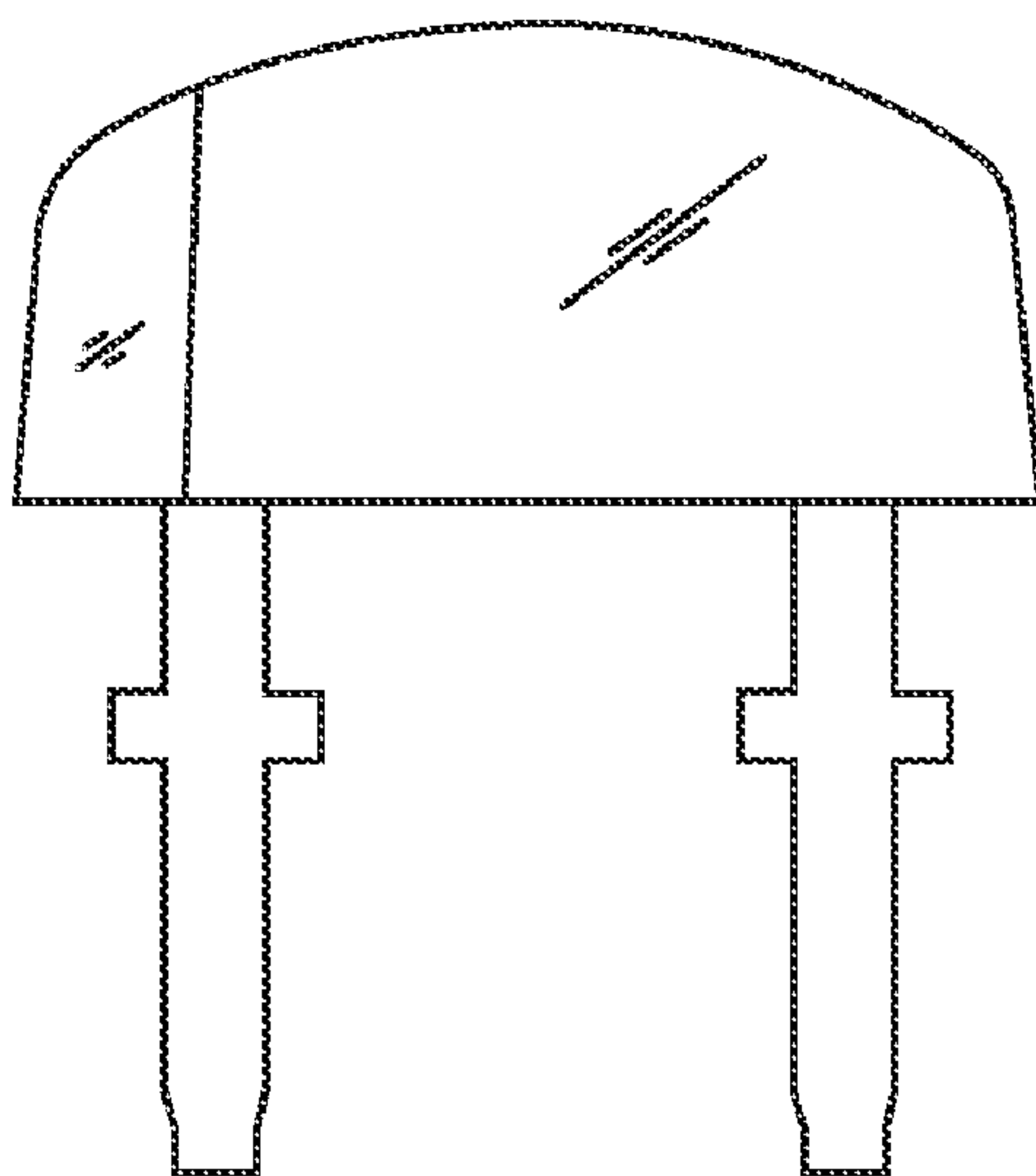


FIG. 5

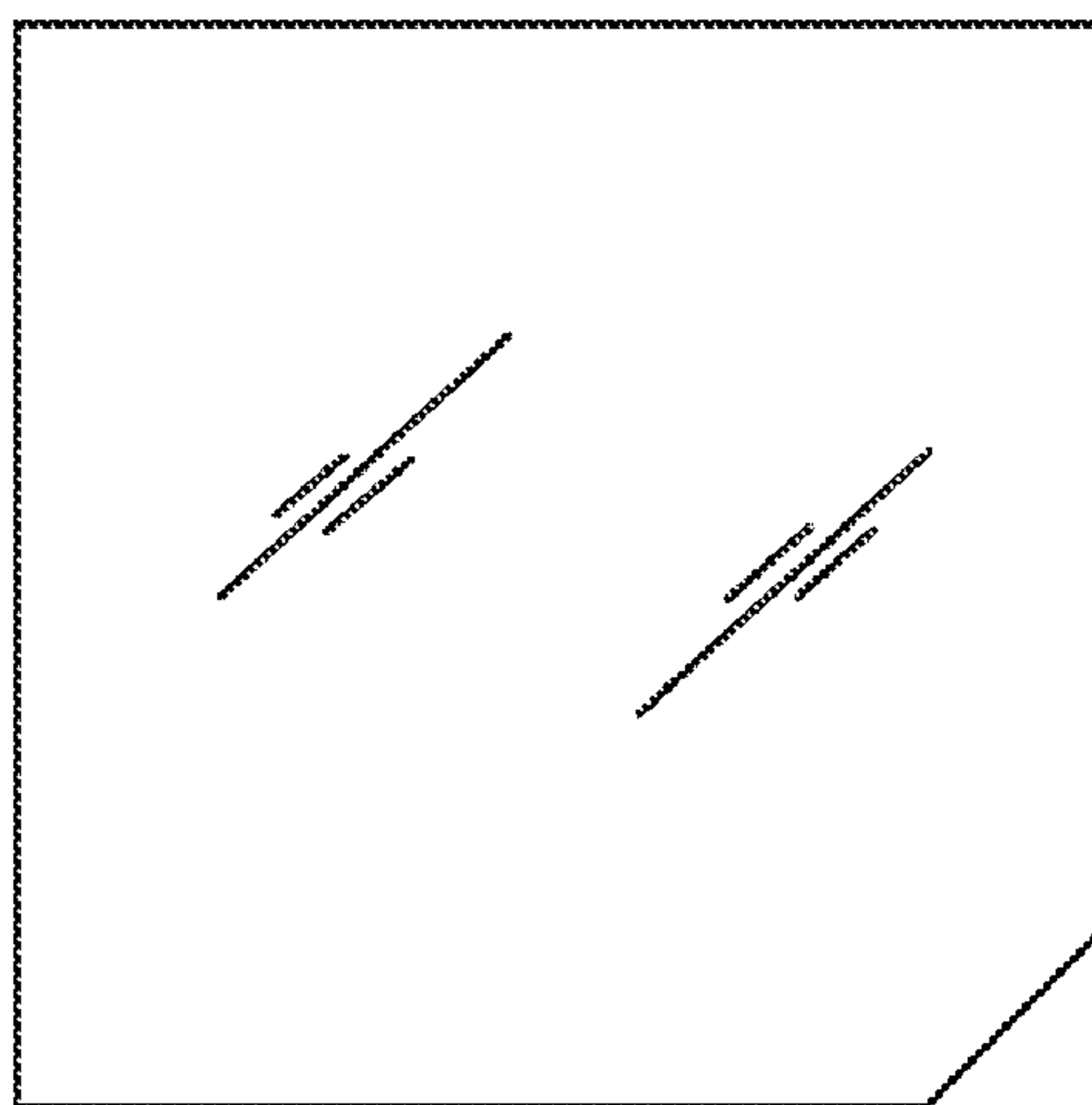


FIG. 6

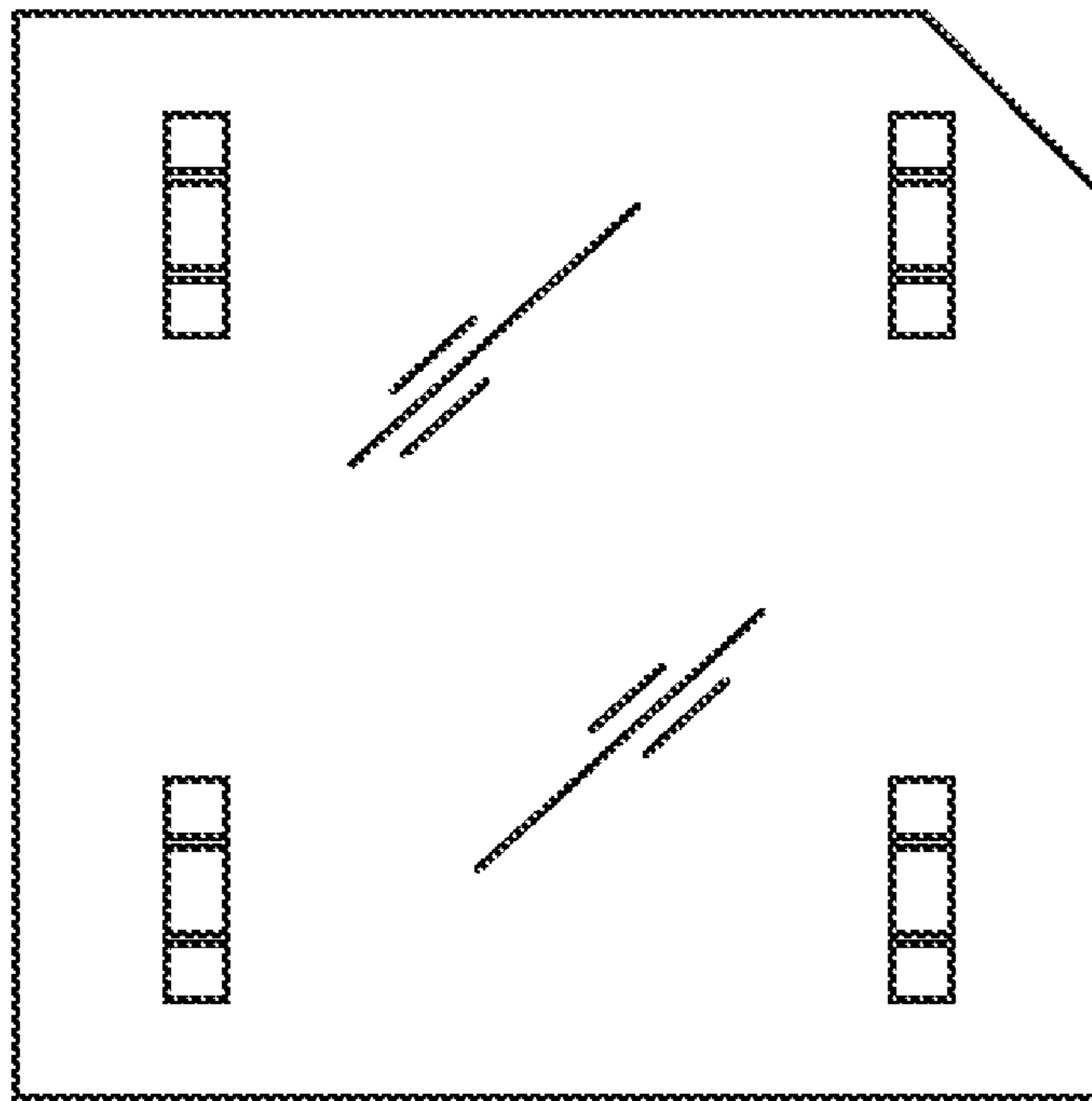


FIG. 7