



US00D564460S

(12) **United States Design Patent** (10) **Patent No.:** **US D564,460 S**  
**Otsuki et al.** (45) **Date of Patent:** **\*\* Mar. 18, 2008**

(54) **HEAT SINK FAN**

2006/0067053 A1\* 3/2006 Yu et al. .... 361/704  
2006/0219386 A1\* 10/2006 Hsia et al. .... 165/80.3

(75) Inventors: **Takaya Otsuki**, Kyoto (JP); **Takamasa Yamashita**, Kyoto (JP); **Kazuhiro Inouchi**, Kyoto (JP)

FOREIGN PATENT DOCUMENTS

JP 1234953 D 4/2005  
JP 1237688 D 4/2005  
JP 1237951 D 4/2005  
JP 1237952 D 4/2005  
JP 1295760 D 3/2007  
JP 1296655 D 3/2007  
TW D118870 S 9/2007  
TW D118994 S 9/2007

(73) Assignee: **Nidec Corporation**, Kyoto (JP)

(\*\*) Term: **14 Years**

(21) Appl. No.: **29/276,415**

(22) Filed: **Jan. 25, 2007**

OTHER PUBLICATIONS

(51) **LOC (8) Cl.** ..... **13-03**

(52) **U.S. Cl.** ..... **D13/179**

(58) **Field of Classification Search** ..... D13/179;  
165/80.3, 104.33, 151, 122, 185; 257/706,  
257/707, 718-722; 361/687, 695, 697, 700,  
361/702, 704, 709, 710, 711, 719

Yamashita, Takamasa et al., "Heat Sink," U.S. Appl. No. 29/249,552, filed on Oct. 12, 2006.

Otsuki, Takaya et al., "Heat Sink," U.S. Appl. No. 29/282,739, filed on Jul. 27, 2007.

\* cited by examiner

See application file for complete search history.

*Primary Examiner*—Selina Sikder

(74) *Attorney, Agent, or Firm*—Keating & Bennett, LLP

(56) **References Cited**

(57) **CLAIM**

U.S. PATENT DOCUMENTS

5,794,685 A 8/1998 Dean  
6,407,919 B1\* 6/2002 Chou ..... 361/697  
6,419,007 B1 7/2002 Ogawara et al.  
6,671,172 B2 12/2003 Carter et al.  
6,714,415 B1 3/2004 Shah  
6,779,593 B1 8/2004 Hegde  
D501,450 S\* 2/2005 Watanabe et al. .... D13/179  
D509,484 S 9/2005 Mochizuki et al.  
D509,485 S 9/2005 Mochizuki et al.  
7,123,483 B2\* 10/2006 Otsuki et al. .... 361/710  
D541,229 S 4/2007 Watanabe et al.  
7,221,567 B2\* 5/2007 Otsuki et al. .... 361/695  
2002/0017378 A1 2/2002 Hu  
2002/0046826 A1 4/2002 Kao  
2002/0182068 A1\* 12/2002 Liu ..... 415/176  
2005/0141992 A1\* 6/2005 Lin ..... 415/176  
2005/0271506 A1\* 12/2005 Pan ..... 415/176  
2005/0280992 A1\* 12/2005 Carter et al. .... 361/697

The ornamental design for a heat sink fan, as shown and described.

**DESCRIPTION**

FIG. 1 is a front elevation view of a heat sink fan showing our new design;

FIG. 2 is a rear elevation view thereof;

FIG. 3 is a right side elevation view thereof;

FIG. 4 is a left side elevation view thereof;

FIG. 5 is a top plan view thereof;

FIG. 6 is a bottom plan view thereof; and,

FIG. 7 is a perspective view thereof.

**1 Claim, 5 Drawing Sheets**

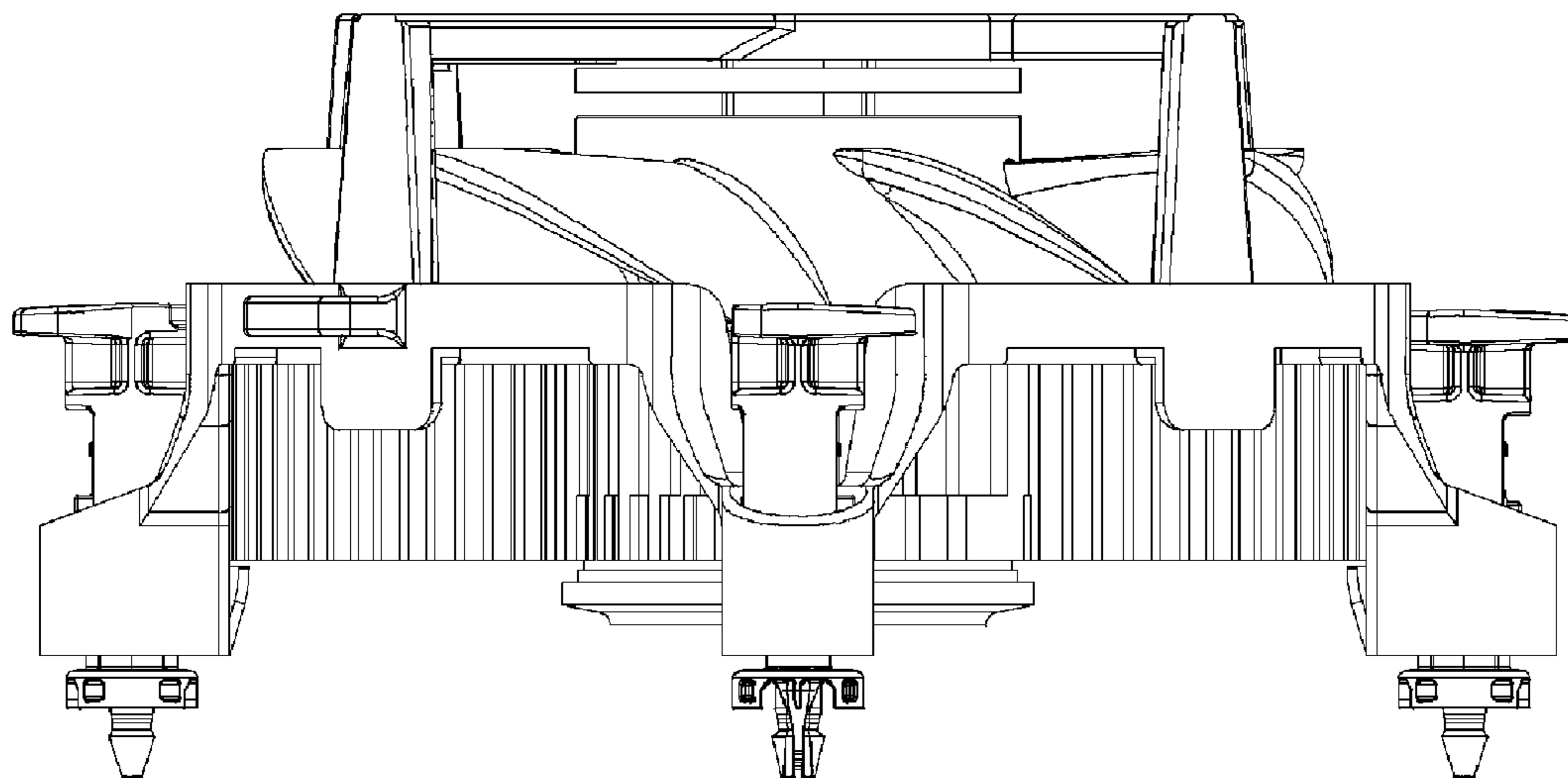


Fig. 1

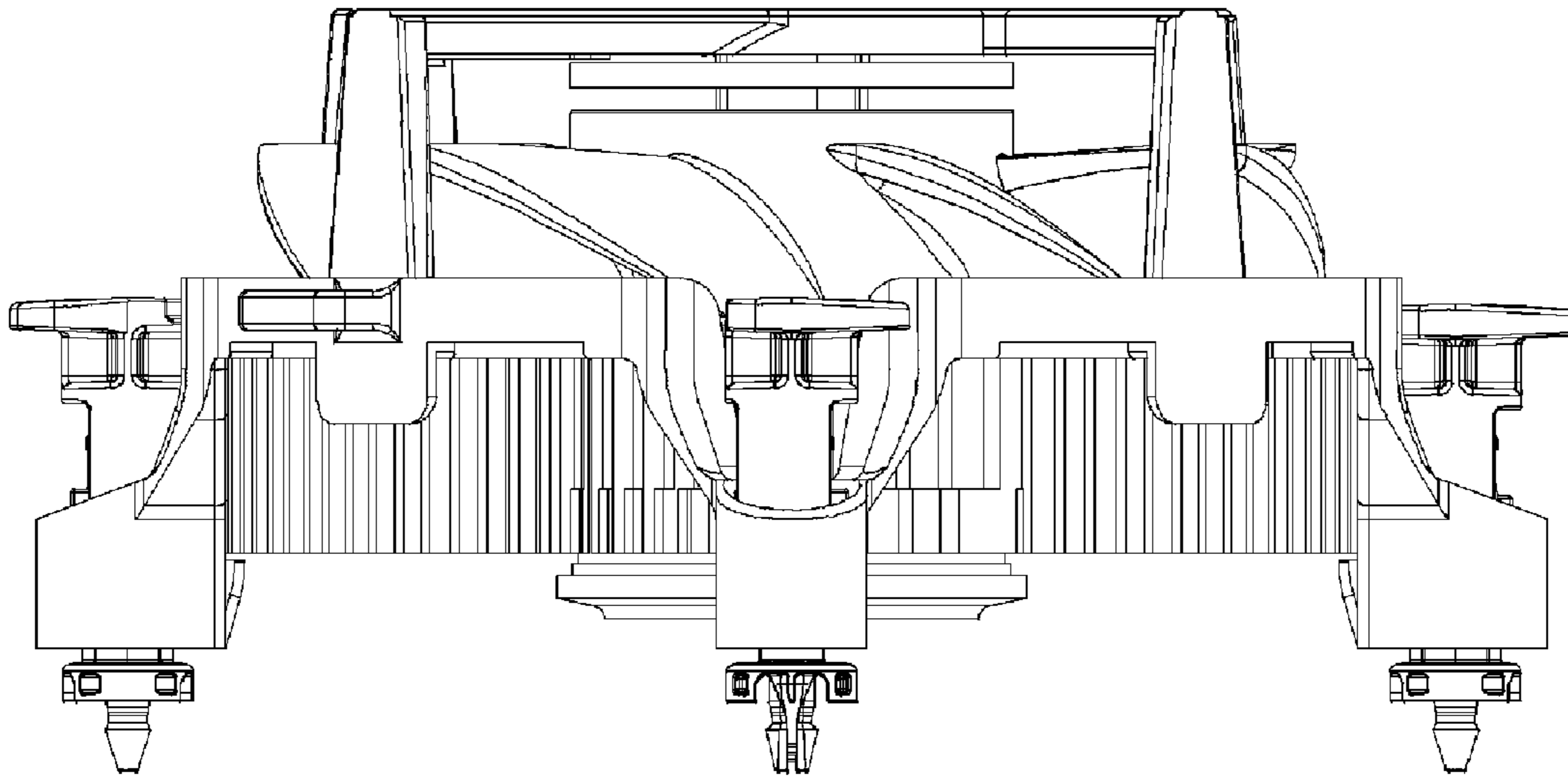
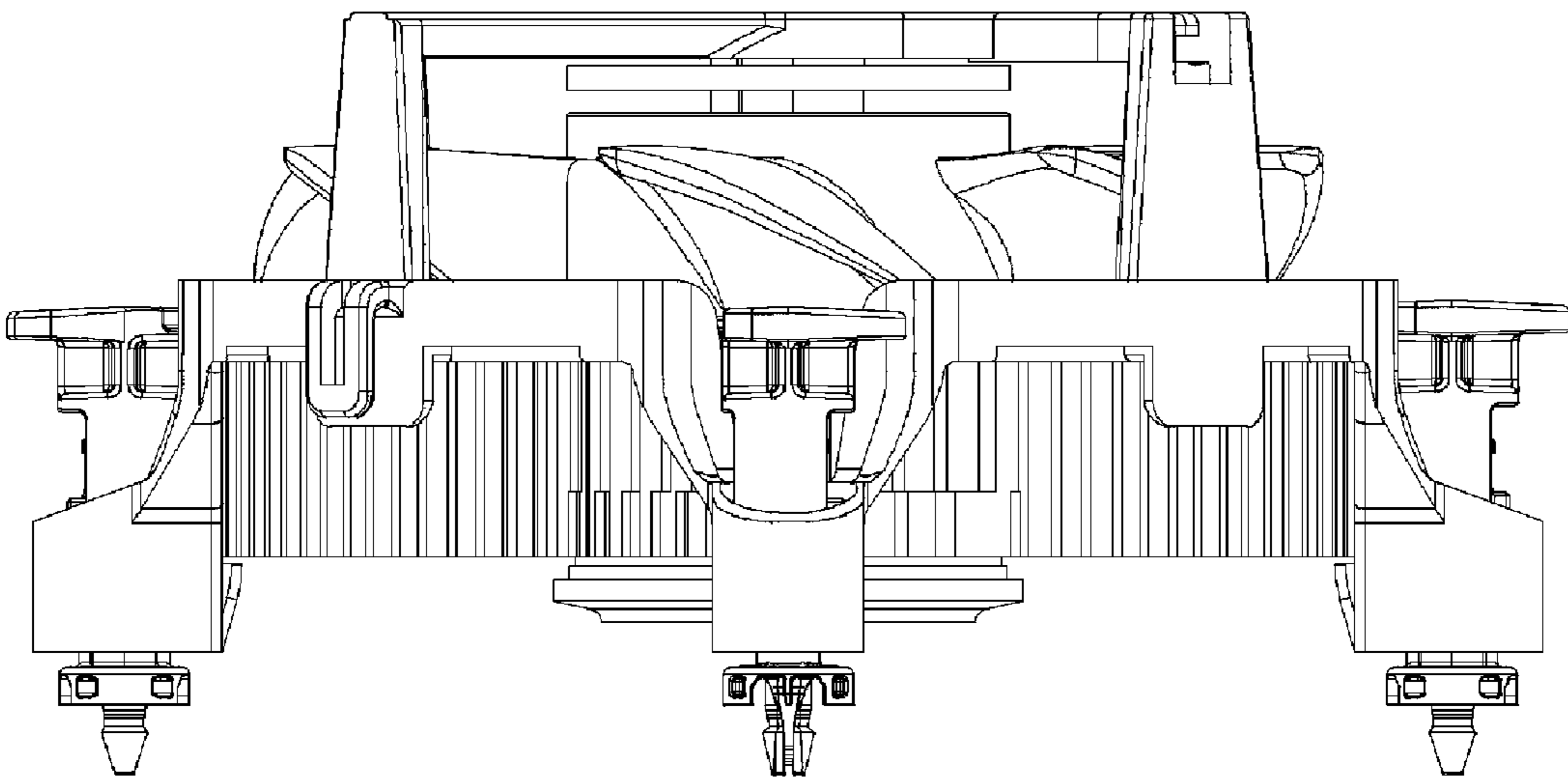
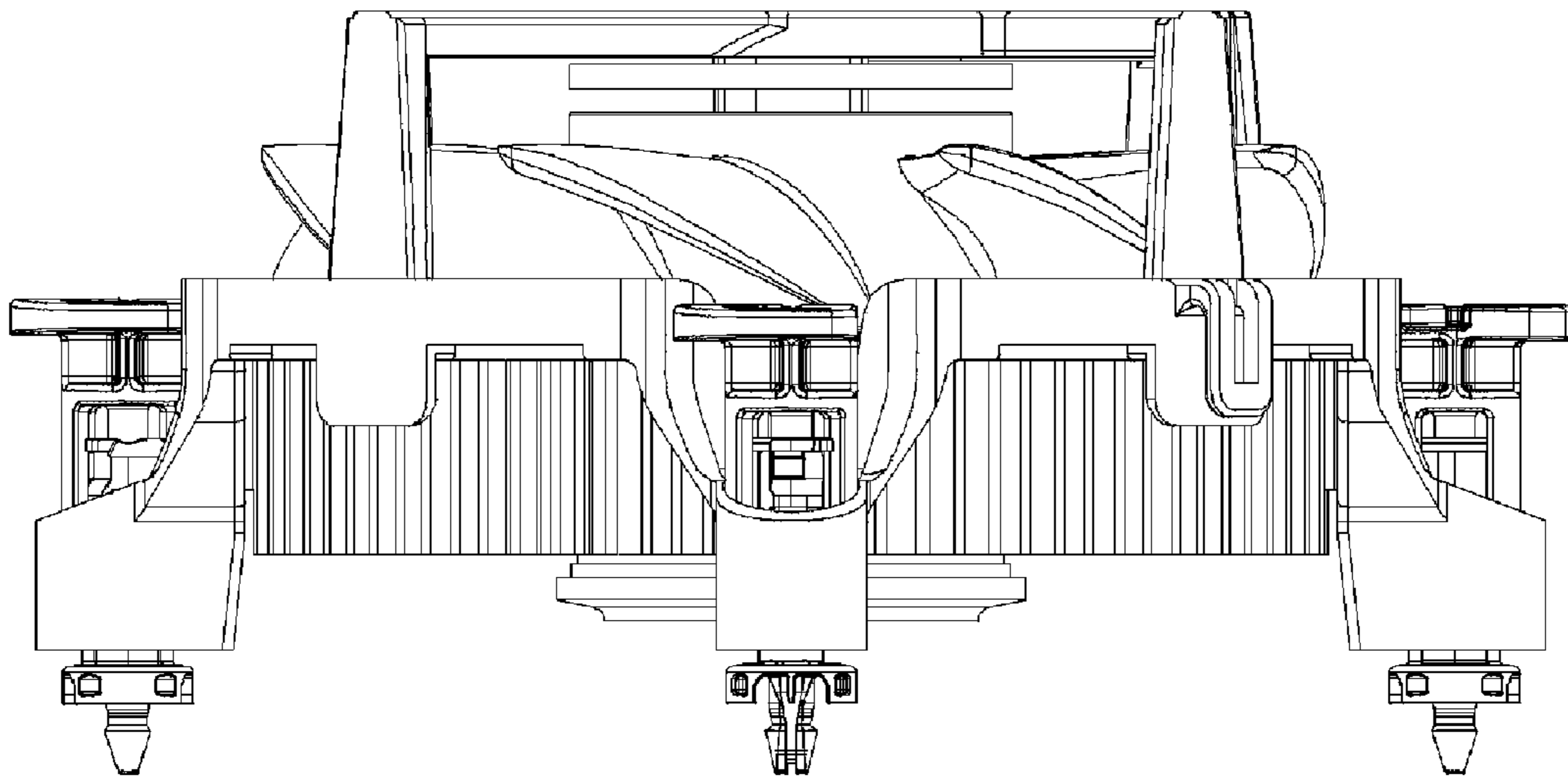


Fig. 2



**Fig. 3**



**Fig. 4**

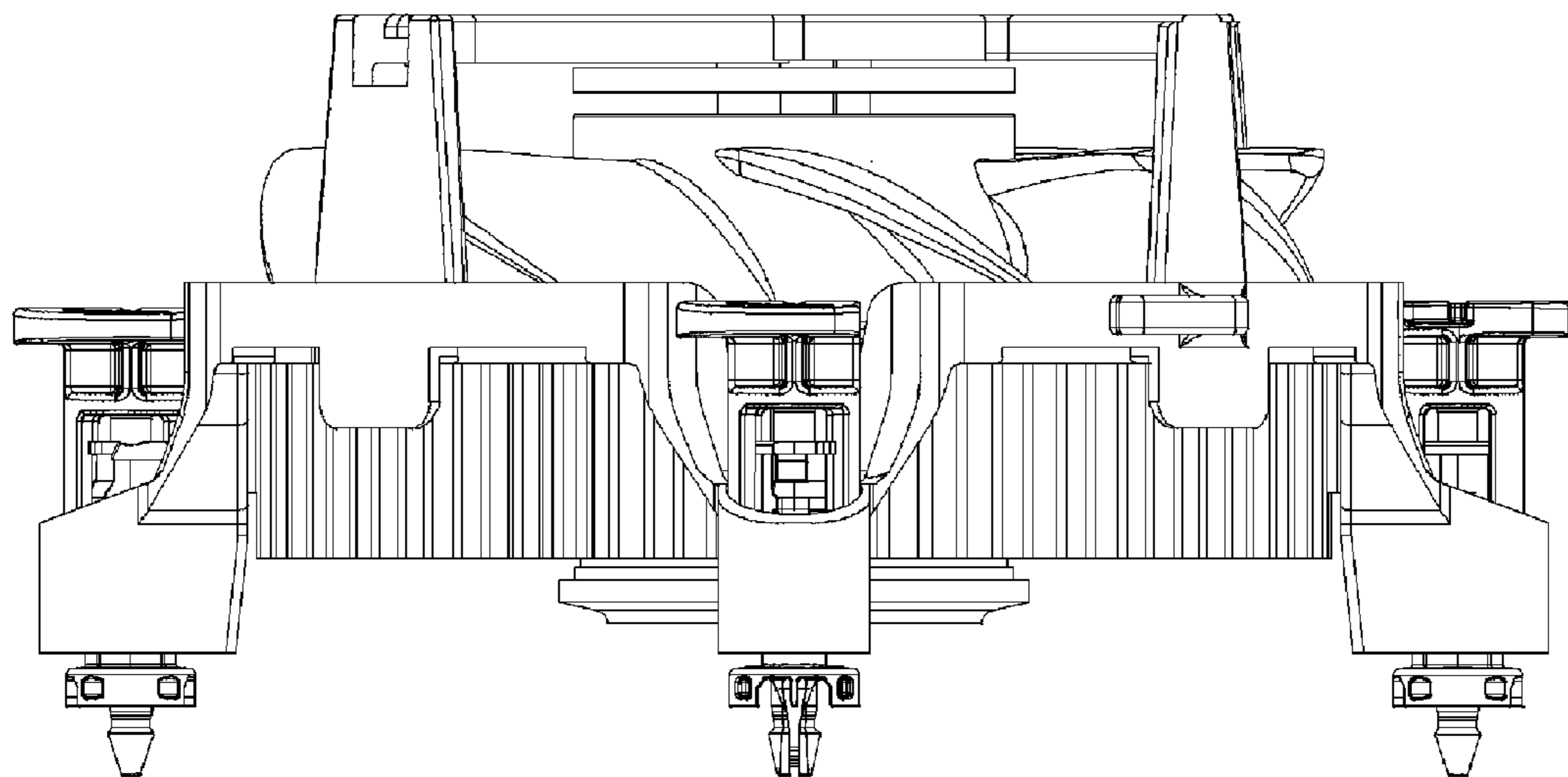


Fig. 5

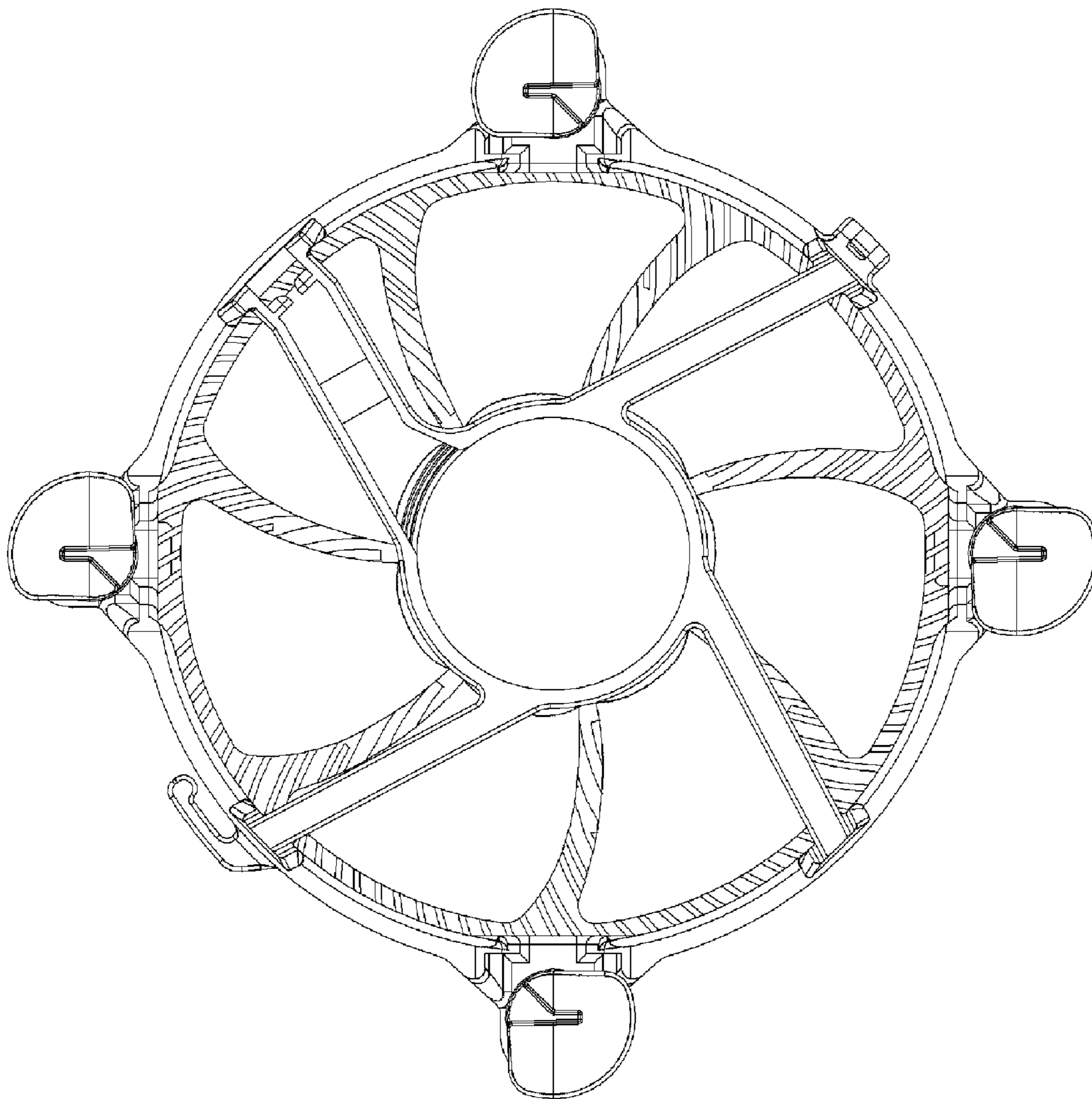


Fig. 6

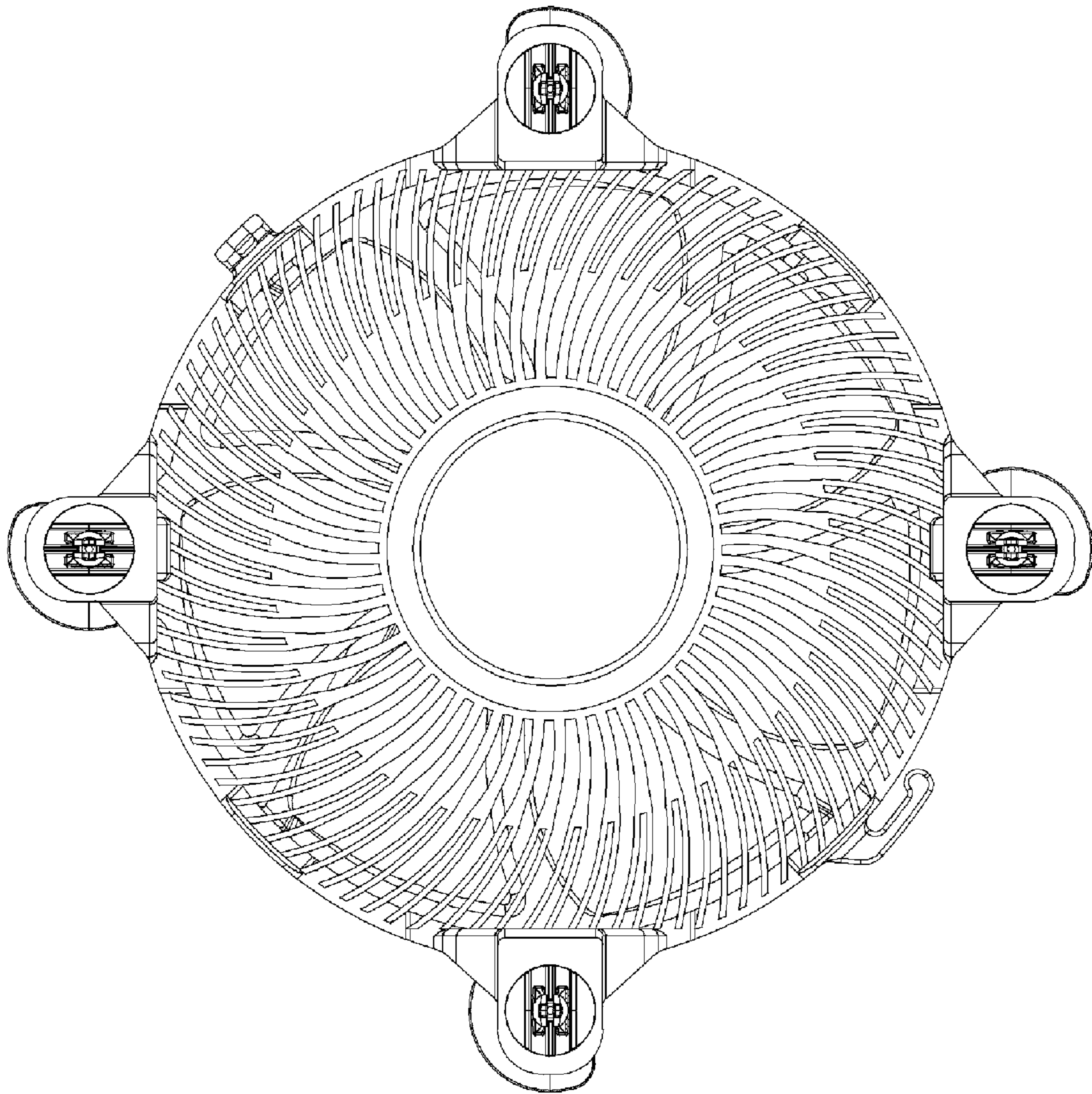


Fig. 7

