

US00D564459S

(12) **United States Design Patent**
Huang

(10) **Patent No.:** **US D564,459 S**
(45) **Date of Patent:** **** Mar. 18, 2008**

(54) **FIXED CONTACT POINTS IN A GROUND
FAULT CIRCUIT INTERRUPTER**

(76) Inventor: **Huadiao Huang**, No. 58 Shahe Road,
Jiangqiao Town, Jiading Borough,
Shanghai (CN)

(**) Term: **14 Years**

(21) Appl. No.: **29/263,343**

(22) Filed: **Jul. 21, 2006**

(30) **Foreign Application Priority Data**

Oct. 10, 2005 (CN) 2005 3 0129359

(51) **LOC (8) Cl.** **13-03**

(52) **U.S. Cl.** **D13/178**

(58) **Field of Classification Search** D13/160,
D13/178; 317/5, 143, 18 D; 335/18, 19,
335/202; 361/42-51

See application file for complete search history.

(56) **References Cited**

U.S. PATENT DOCUMENTS

3,931,601 A * 1/1976 Anderson 335/18
D254,614 S * 4/1980 Biller et al. D13/178
D254,615 S * 4/1980 Evans et al. D13/178
D323,487 S * 1/1992 Dubicki D13/160
5,218,331 A * 6/1993 Morris et al. 335/18

5,291,165 A * 3/1994 Whipple et al. 335/18
6,949,995 B2 * 9/2005 Leopold et al. 335/18
6,963,260 B2 * 11/2005 Germain et al. 335/18
7,250,836 B2 * 7/2007 Fleege et al. 335/6
2003/0102944 A1 * 6/2003 Leopold et al. 335/18
2007/0235300 A1 * 10/2007 Germain et al. 200/43.02

* cited by examiner

Primary Examiner—Daniel Bui

Assistant Examiner—Thomas J Johannes

(74) *Attorney, Agent, or Firm*—Fei-Fei Chao; Andrews
Kurth LLP

(57) **CLAIM**

The ornamental design for fixed contact points in a ground
fault circuit interrupters, as shown and described.

DESCRIPTION

FIG. 1 is a front view of a fixed contact points in a ground
fault circuit interrupter, showing my new design.

FIG. 2 is a top plan view thereof;

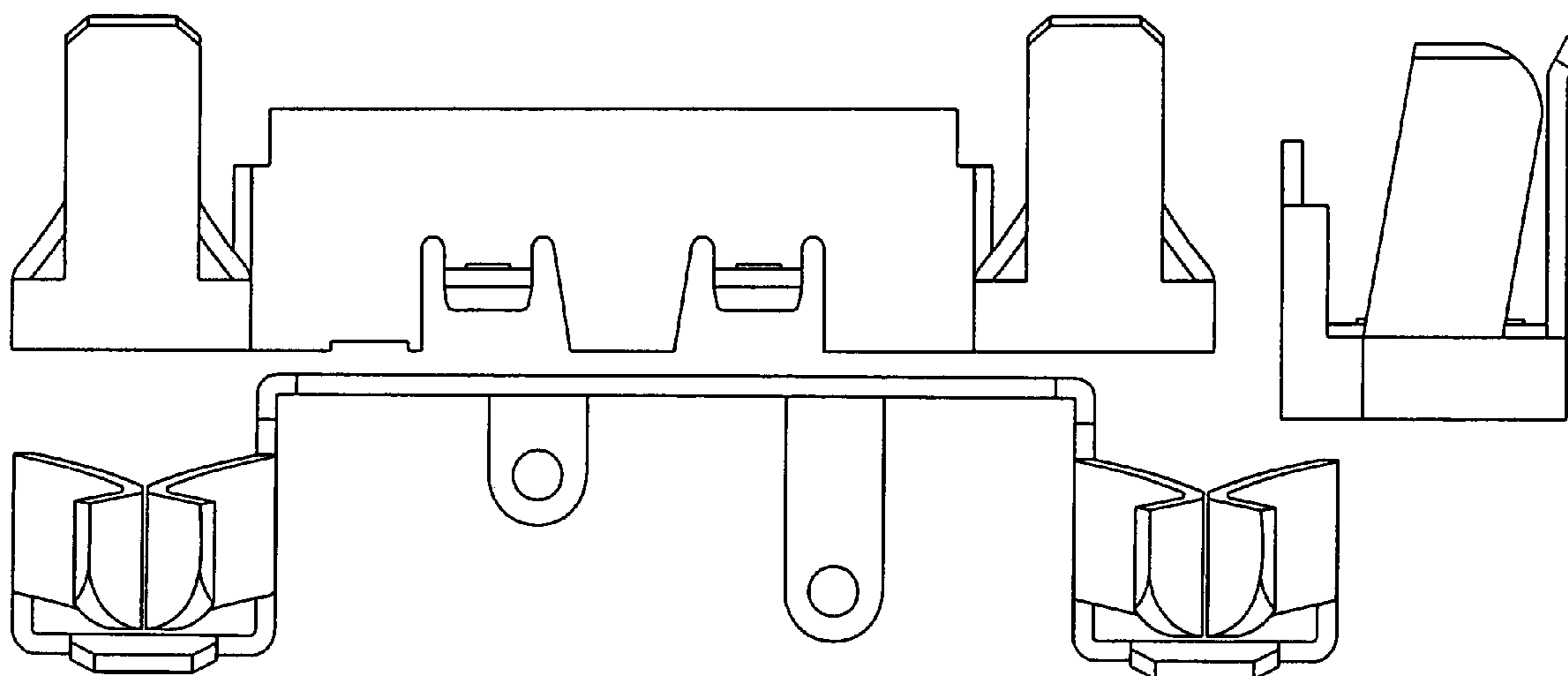
FIG. 3 is a right-side view thereof;

FIG. 4 is a left-side view thereof;

FIG. 5 is a bottom plan view thereof; and,

FIG. 6 is a rear view thereof.

1 Claim, 6 Drawing Sheets



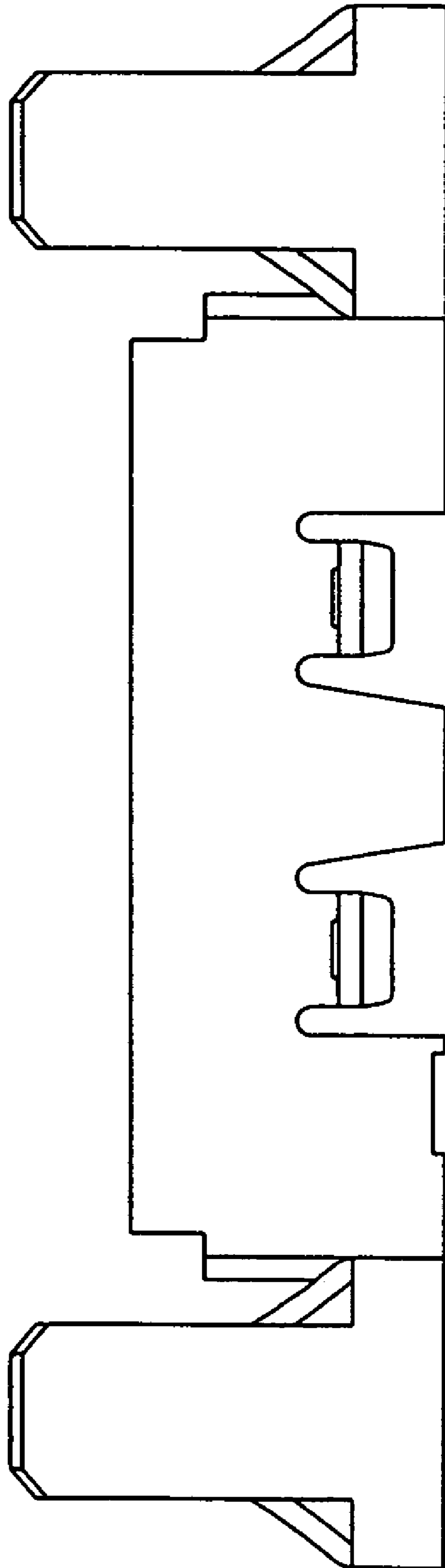


FIG. 1

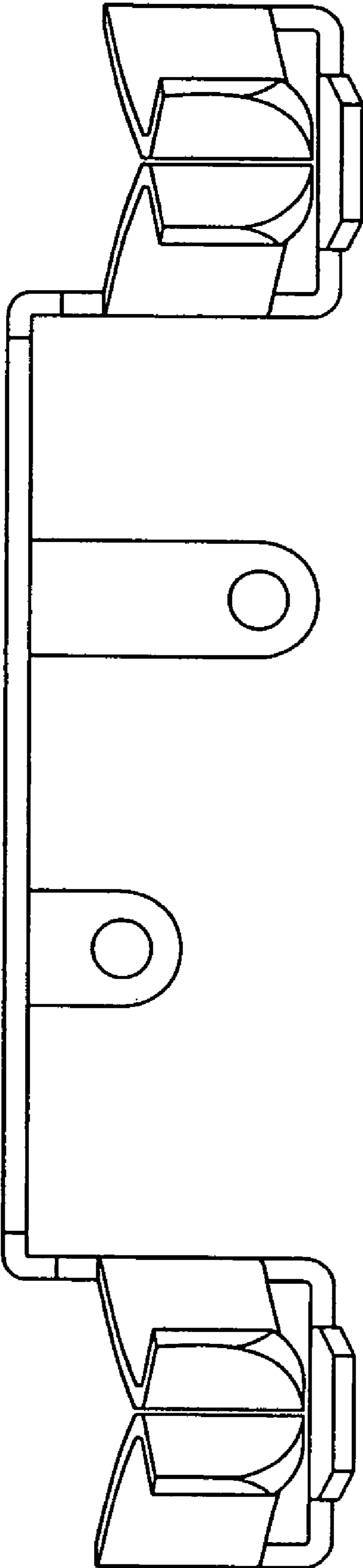


FIG. 2

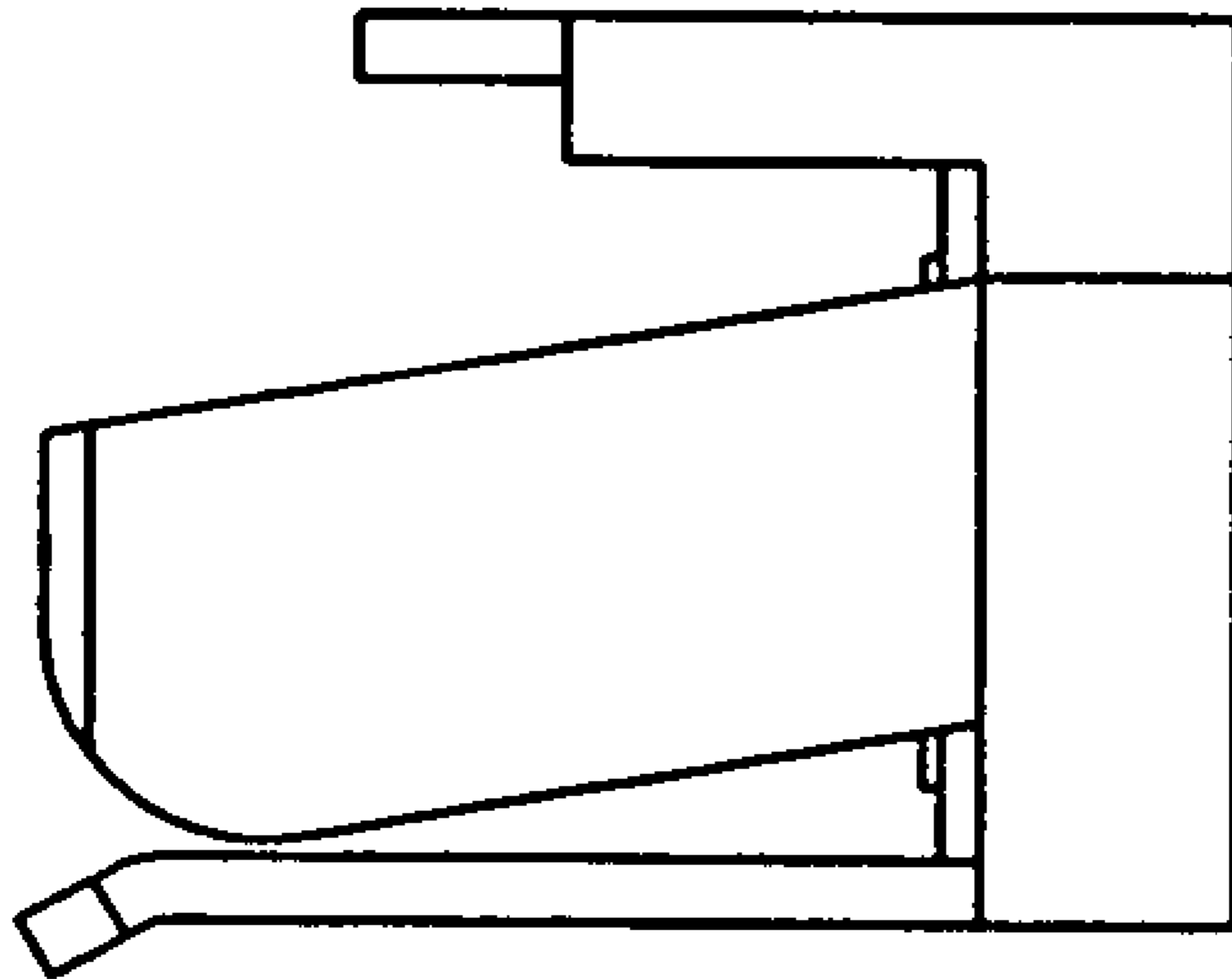


FIG. 3

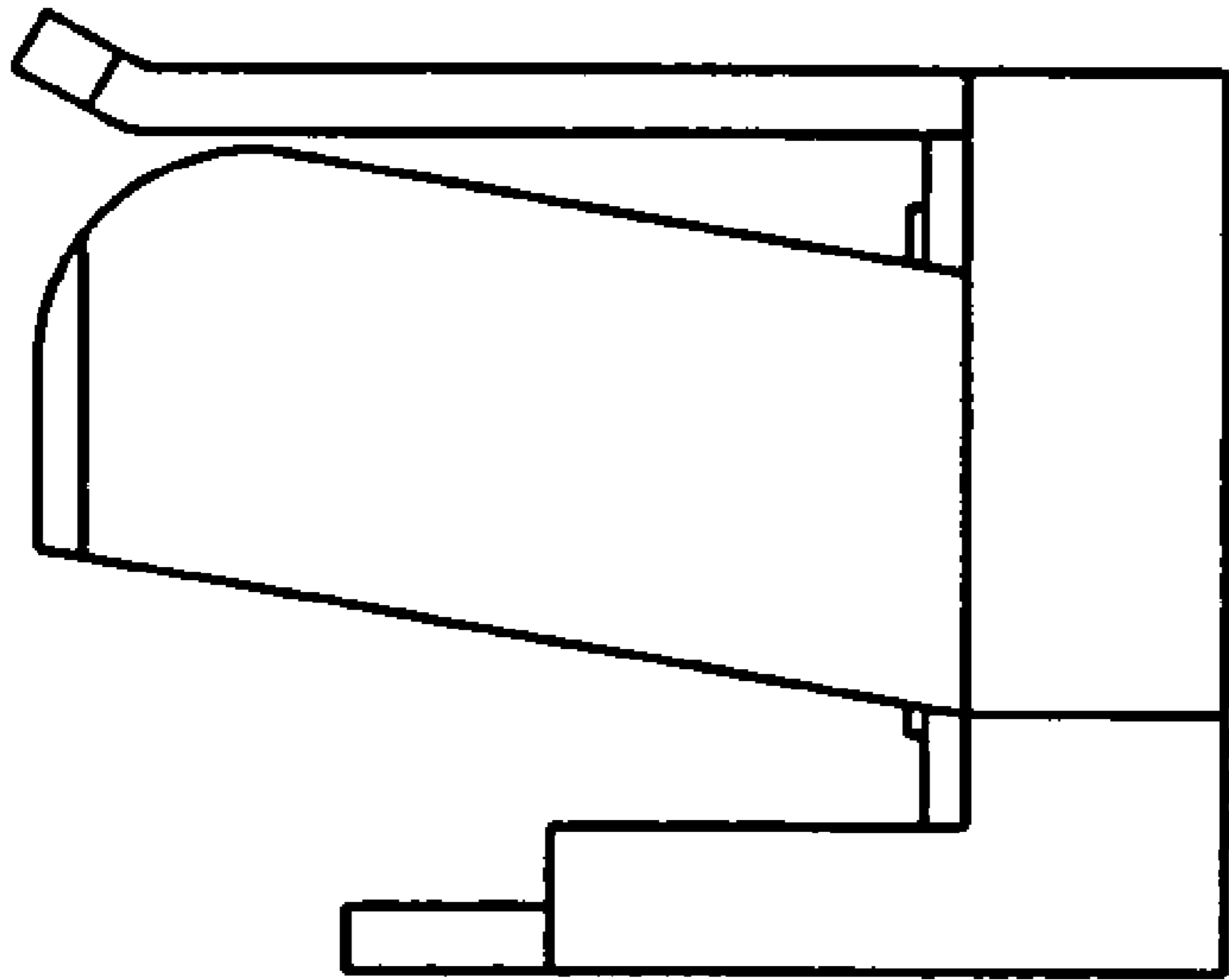


FIG. 4

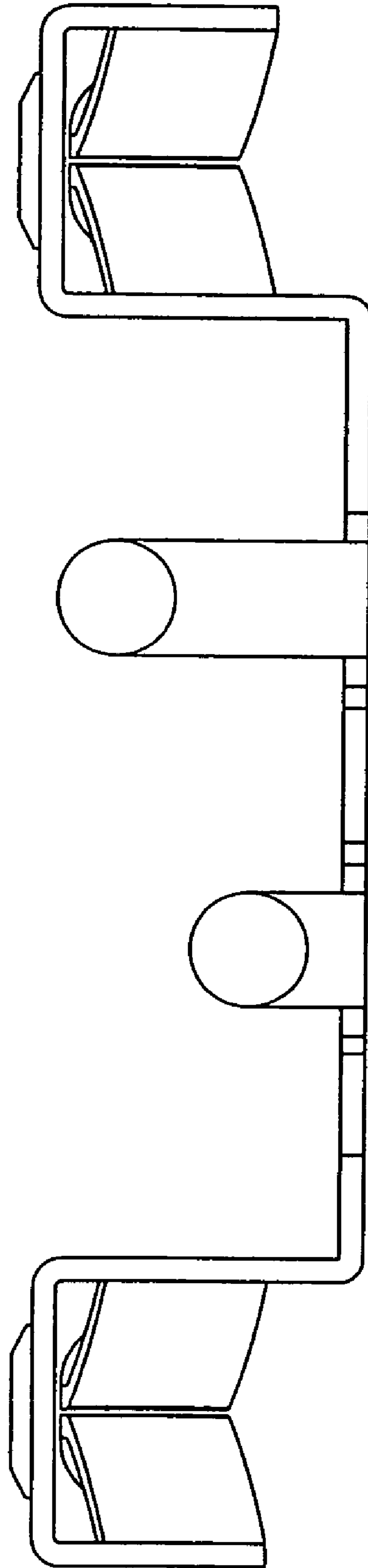


FIG. 5

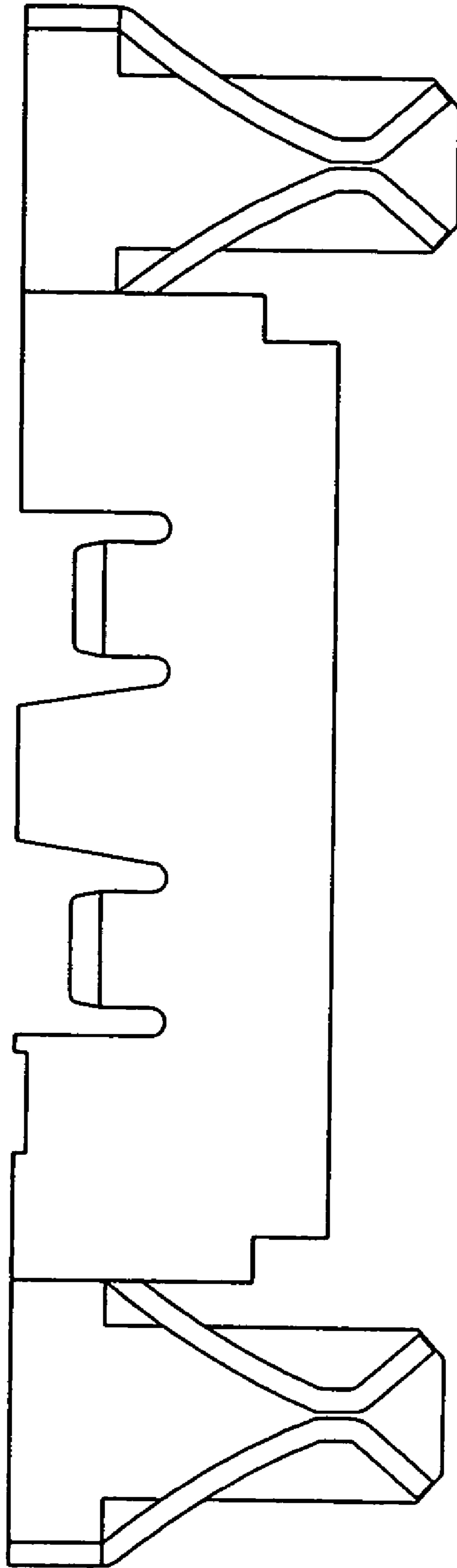


FIG. 6