



US00D564451S

(12) **United States Design Patent**
Fornino

(10) **Patent No.:** **US D564,451 S**

(45) **Date of Patent:** **** Mar. 18, 2008**

(54) **POWER AND CABLE SURGE PROTECTOR**

(75) **Inventor:** **William D. Fornino**, Holly Hill, FL
(US)

(73) **Assignee:** **Metra Electronics**

(**) **Term:** **14 Years**

(21) **Appl. No.:** **29/286,128**

(22) **Filed:** **Apr. 24, 2007**

(51) **LOC (8) Cl.** **13-03**

(52) **U.S. Cl.** **D13/139.8**

(58) **Field of Classification Search** D13/137.1,
D13/137.3, 137.4, 139.1, 139.4, 139.6–139.8,
D13/160, 162, 164, 178, 184; 361/118, 119;
439/106–108, 188, 535, 650–654

See application file for complete search history.

(56) **References Cited**

U.S. PATENT DOCUMENTS

| | | | |
|--------------|---------|----------------------|-----------|
| D382,855 S * | 8/1997 | Salmond et al. | D13/139.8 |
| D390,190 S * | 2/1998 | Stekelenburg | D13/139.7 |
| D399,825 S * | 10/1998 | Heung et al. | D13/139.6 |
| D409,978 S * | 5/1999 | Stekelenburg | D13/139.6 |
| D412,488 S * | 8/1999 | Lien | D13/139.8 |
| D447,119 S * | 8/2001 | Lee | D13/139.8 |
| D467,875 S * | 12/2002 | Barger et al. | D13/139.8 |
| D484,098 S * | 12/2003 | Lee | D13/139.8 |
| D519,927 S * | 5/2006 | Sung et al. | D13/139.8 |
| D537,040 S * | 2/2007 | Chesebro et al. | D13/139.8 |
| D549,656 S * | 8/2007 | Hsiao | D13/139.8 |
| D551,169 S * | 9/2007 | Tropp | D13/139.6 |

* cited by examiner

Primary Examiner—Cathron Brooks

Assistant Examiner—Rosemary K Tarcza

(74) *Attorney, Agent, or Firm*—John Wiley Horton

(57) **CLAIM**

The ornamental design for a power and cable surge protector, as shown and described.

DESCRIPTION

FIG. 1 is a perspective view of a power and cable surge protector, showing my design;

FIG. 2 is a second perspective view, showing my design from the left front quarter;

FIG. 3 is a front elevation view of the design of FIGS. 1 and 2;

FIG. 4 is a rear elevation view of the design of FIGS. 1 and 2;

FIG. 5 is a right side elevation view of the design of FIGS. 1 and 2;

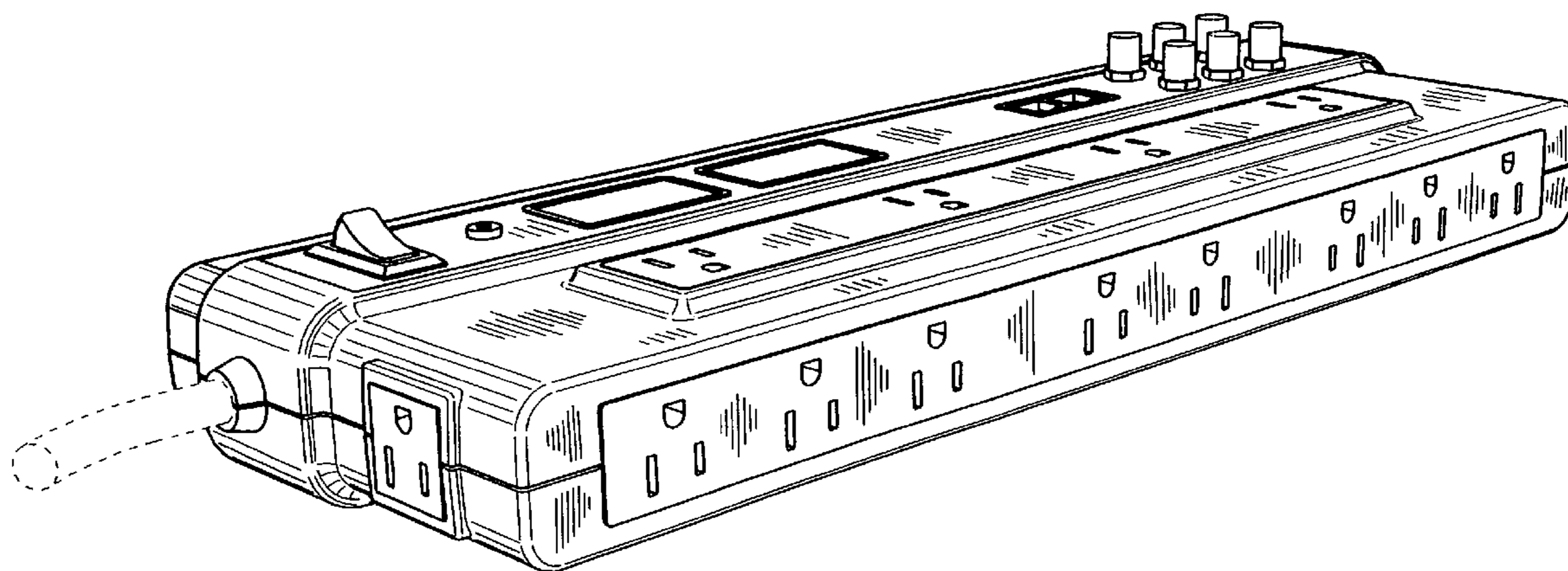
FIG. 6 is a left side elevation view of the design of FIGS. 1 and 2;

FIG. 7 is a top plan view of the design of FIGS. 1 and 2; and,

FIG. 8 is a bottom plan view of the design of FIGS. 1 and 2.

The broken lines shown in all views illustrate features which form no part of the claimed design.

1 Claim, 8 Drawing Sheets



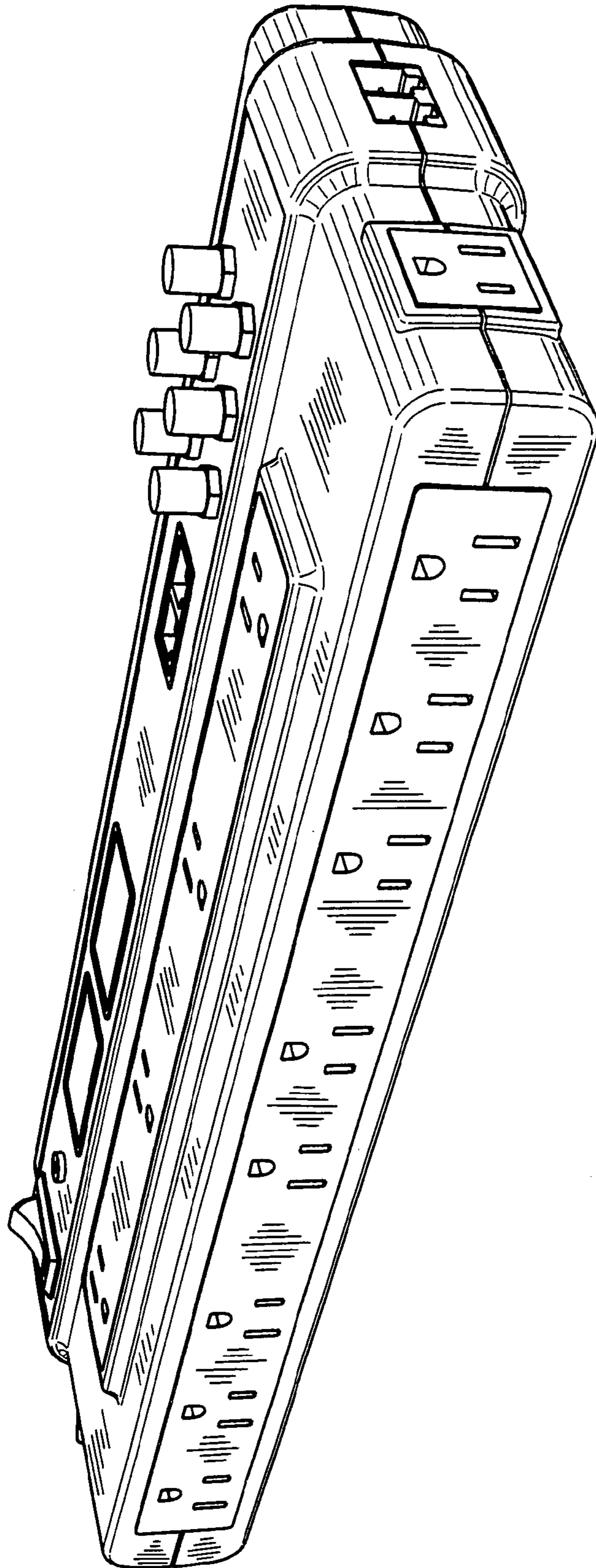


FIG. 1

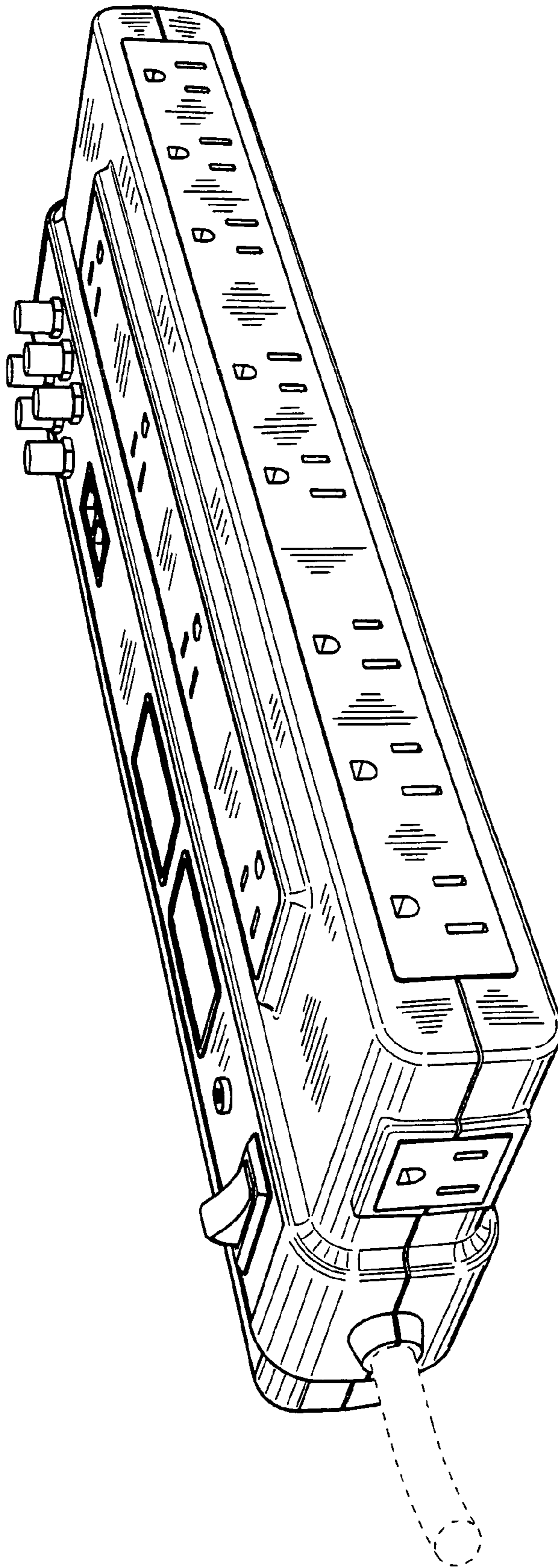


FIG. 2

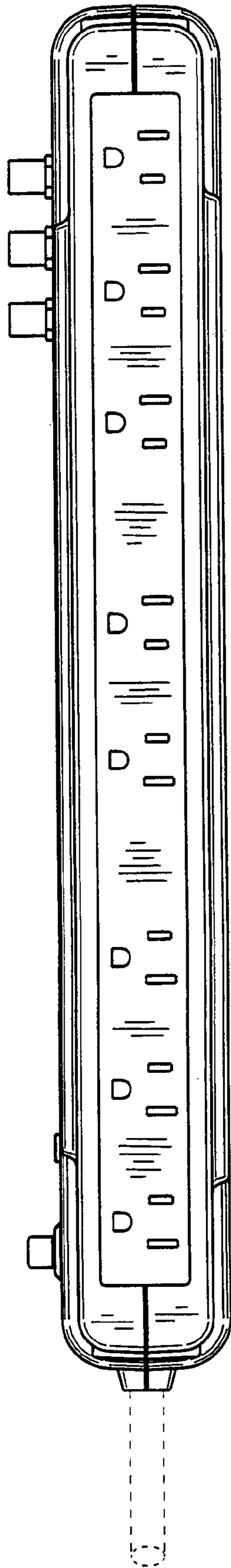


FIG. 3

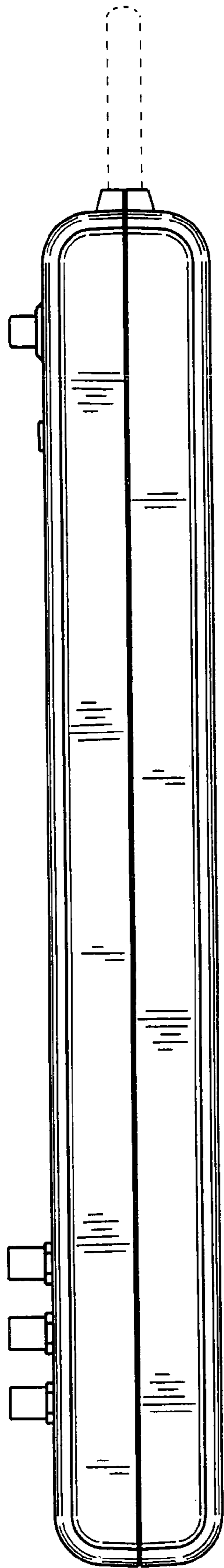


FIG. 4

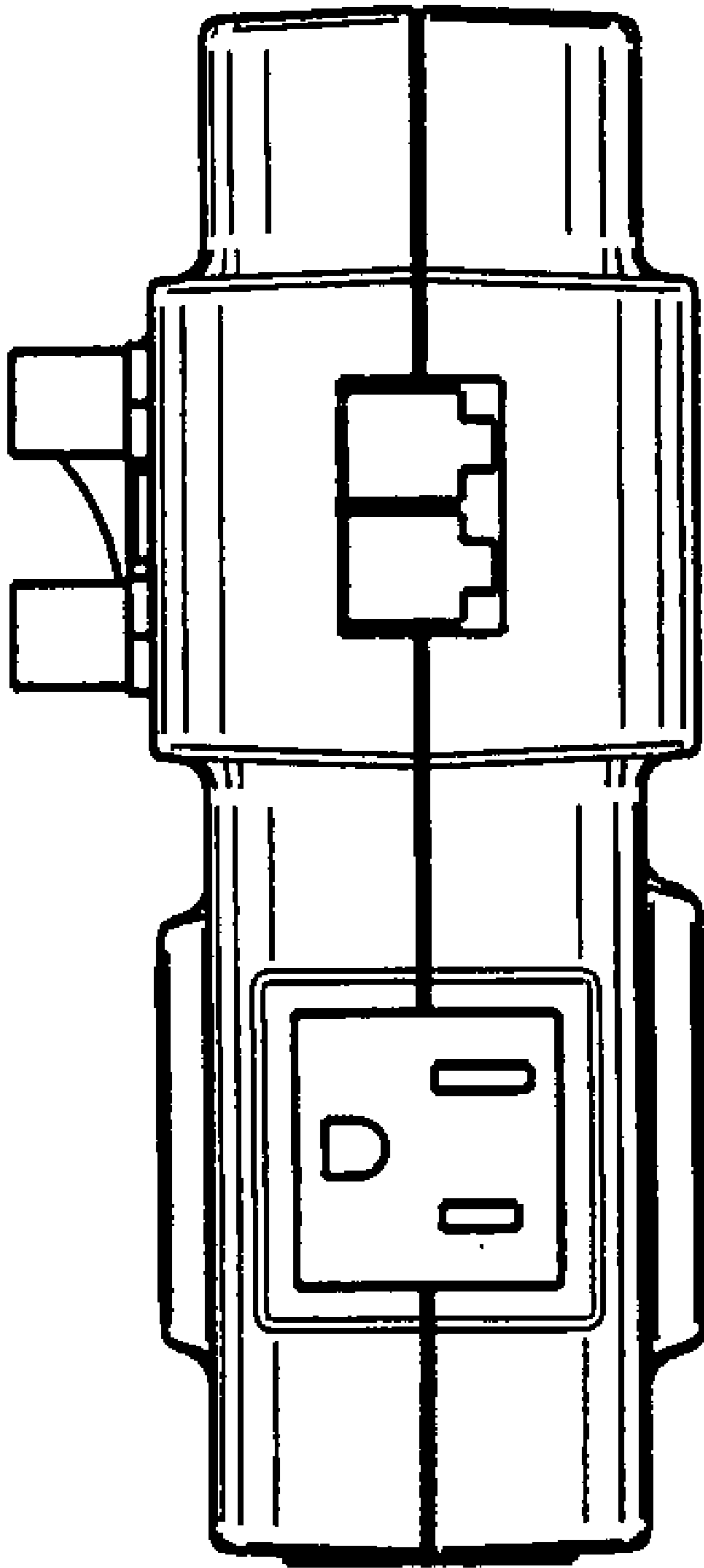


FIG. 5

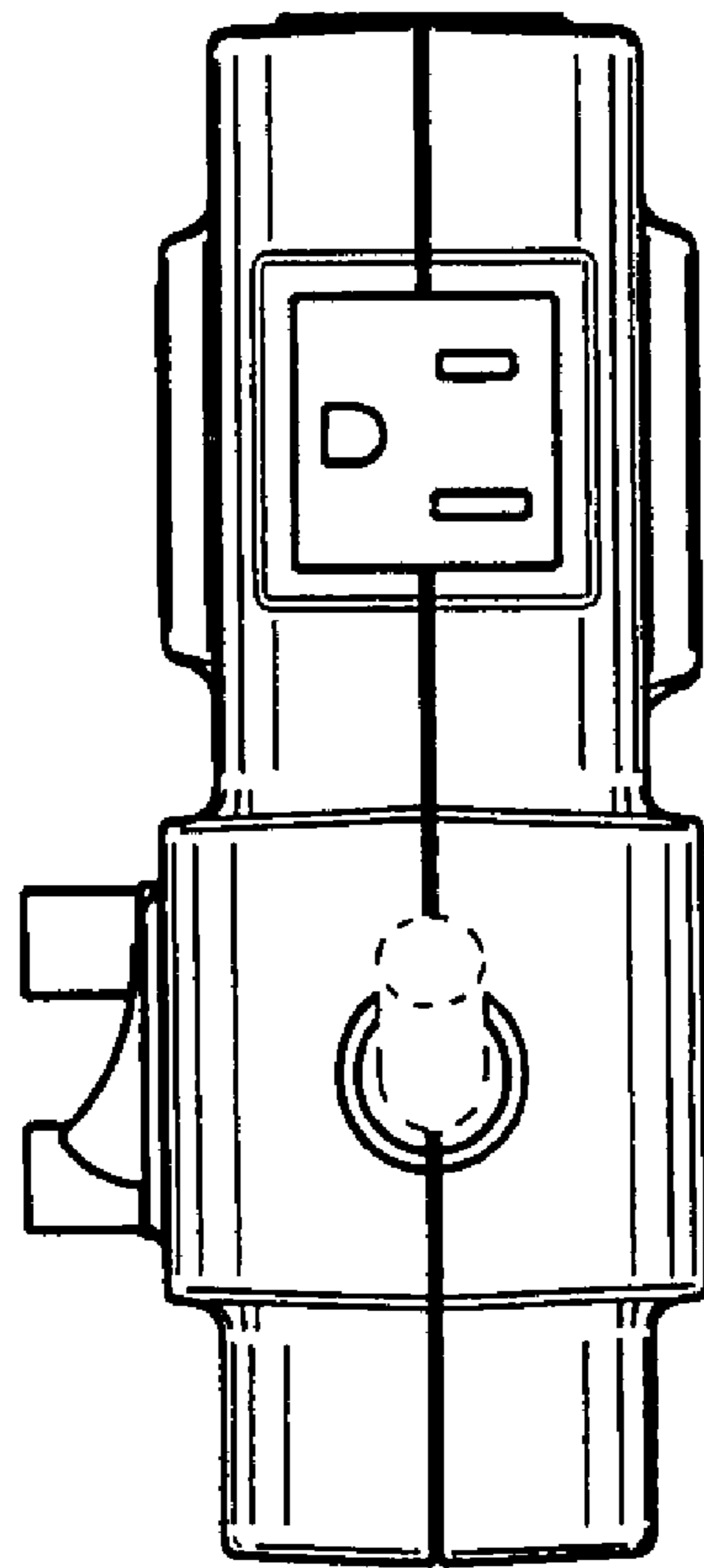


FIG. 6

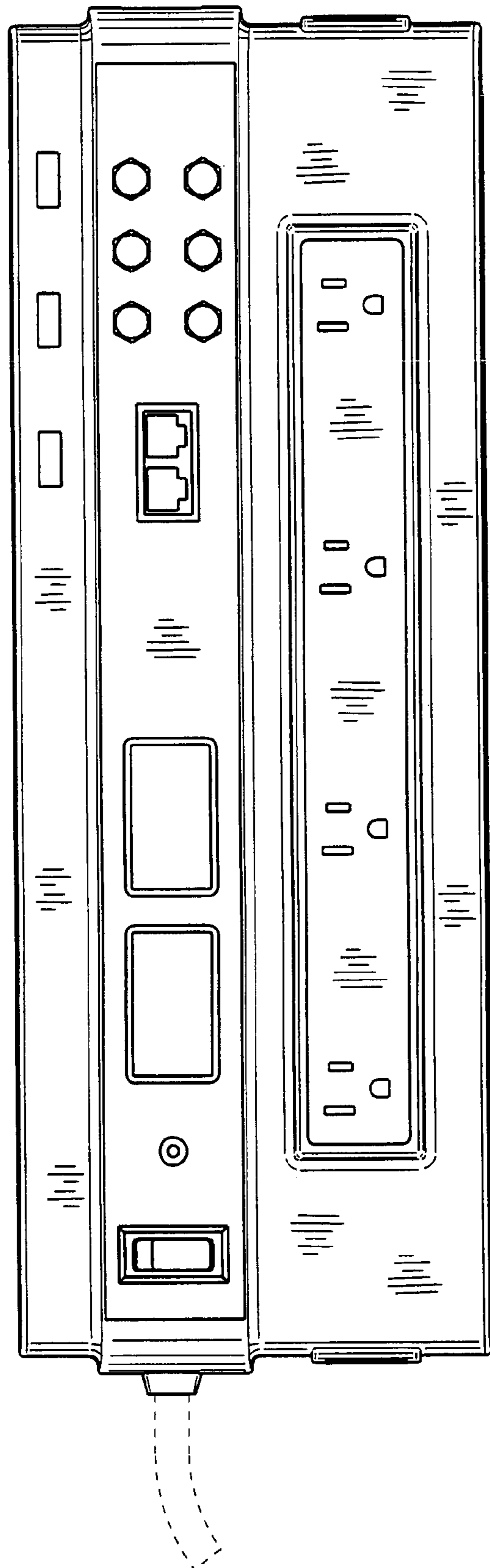


FIG. 7

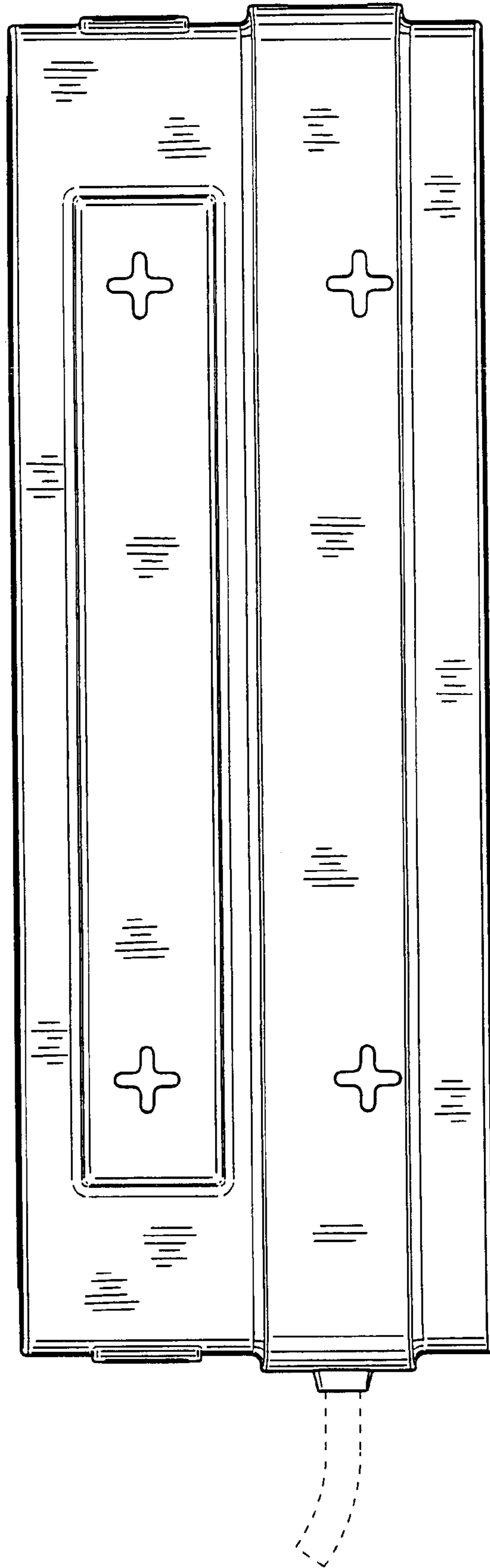


FIG. 8