



US00D564446S

(12) **United States Design Patent**
Linardos

(10) **Patent No.:** **US D564,446 S**
(45) **Date of Patent:** **** Mar. 18, 2008**

(54) **FLASHLIGHT CHARGER**

(75) Inventor: **George Linardos**, Rowville (AU)

(73) Assignee: **Top Gun Pty Ltd.**, Braeside, Victoria (AU)

(**) Term: **14 Years**

(21) Appl. No.: **29/282,308**

(22) Filed: **Jul. 16, 2007**

(30) **Foreign Application Priority Data**

Jun. 14, 2007 (AU) 18378/2007

(51) **LOC (8) Cl.** **13-02**

(52) **U.S. Cl.** **D13/108**

(58) **Field of Classification Search** D13/107-110,
D13/118-119, 184; D14/251, 253, 432,
D14/434; 320/107-115

See application file for complete search history.

(56) **References Cited**

U.S. PATENT DOCUMENTS

D199,245 S *	9/1964	Skeen	D13/107
D297,828 S *	9/1988	Bromley et al.	D13/108
D298,748 S *	11/1988	Sharrah et al.	D13/108
D369,811 S *	5/1996	Chen	D14/248
6,313,604 B1 *	11/2001	Chen	320/114
D517,478 S *	3/2006	Bayat et al.	D13/108
D525,201 S *	7/2006	Navarrez et al.	D13/144

D544,440 S *	6/2007	Dayan	D13/110
D548,694 S *	8/2007	Krieger et al.	D13/110
D554,059 S *	10/2007	Hsu	D13/110
D554,585 S *	11/2007	Nazar et al.	D13/110
D557,658 S *	12/2007	Ledbetter et al.	D13/108
2005/0189911 A1 *	9/2005	Cheng	320/111

* cited by examiner

Primary Examiner—Robin V. Webster

Assistant Examiner—Rosemary K Tarcza

(74) *Attorney, Agent, or Firm*—Gray, Plant, Mooty, Mooty & Bennett, PA

(57) **CLAIM**

I claim the ornamental design for a flashlight charger, as shown and described.

DESCRIPTION

FIG. 1 is a top view of a flashlight charger showing my new design;

FIG. 2 is a bottom view of the same;

FIG. 3 is a front view of the same;

FIG. 4 is a back view of the same;

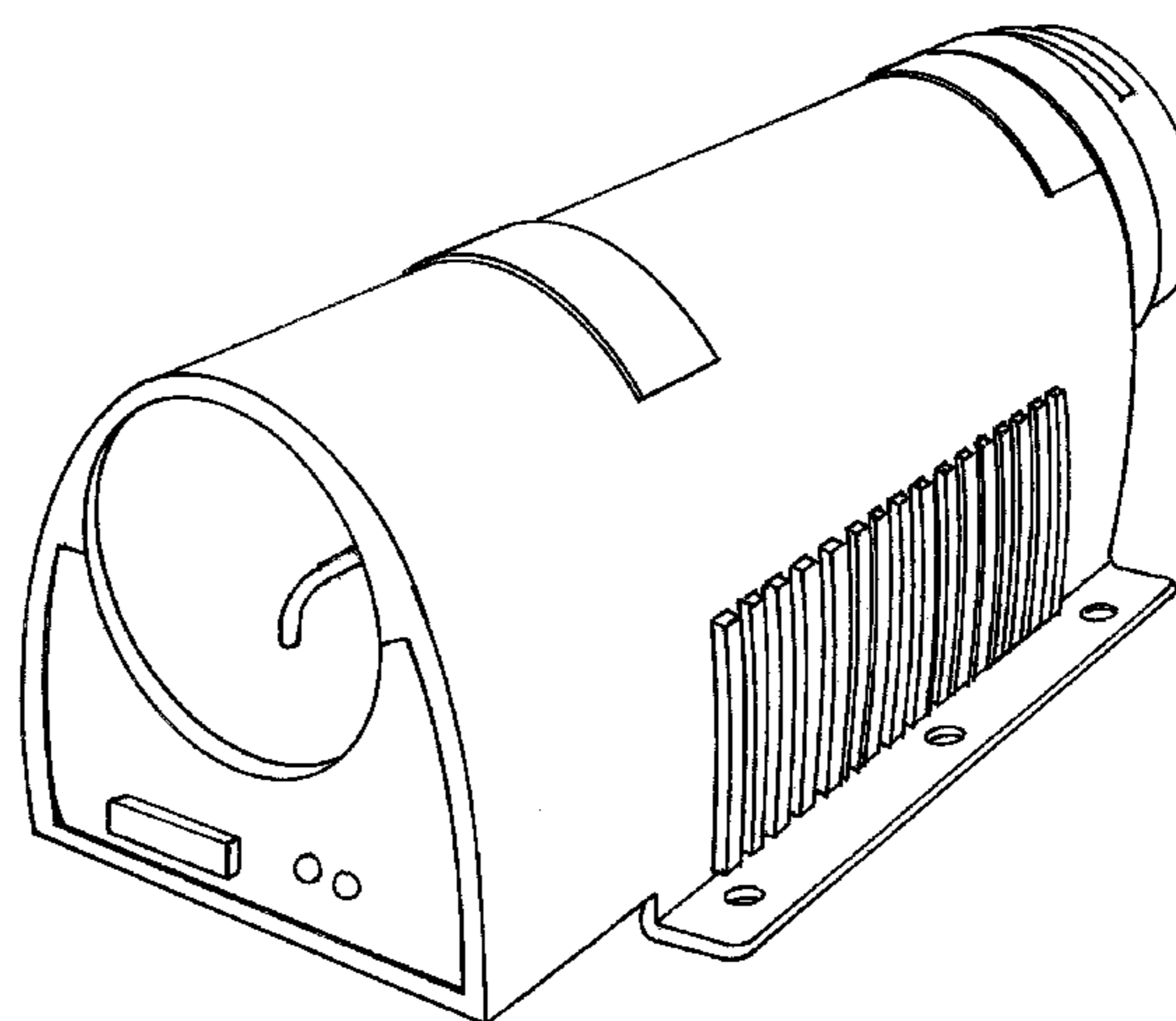
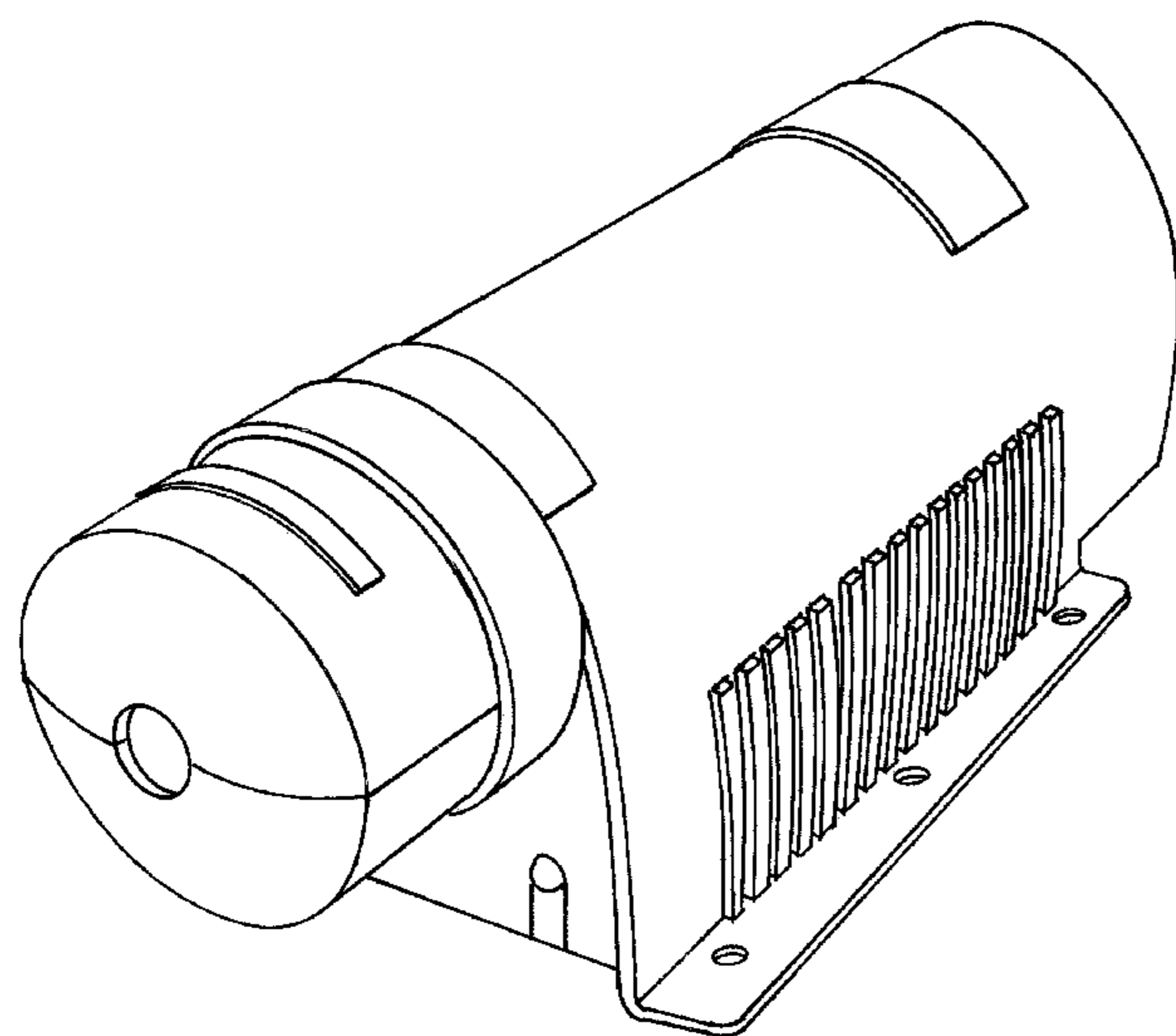
FIG. 5 is a right side view of the same;

FIG. 6 is a left side view of the same;

FIG. 7 is a left perspective of the same; and,

FIG. 8 is a right perspective view of the same.

1 Claim, 4 Drawing Sheets



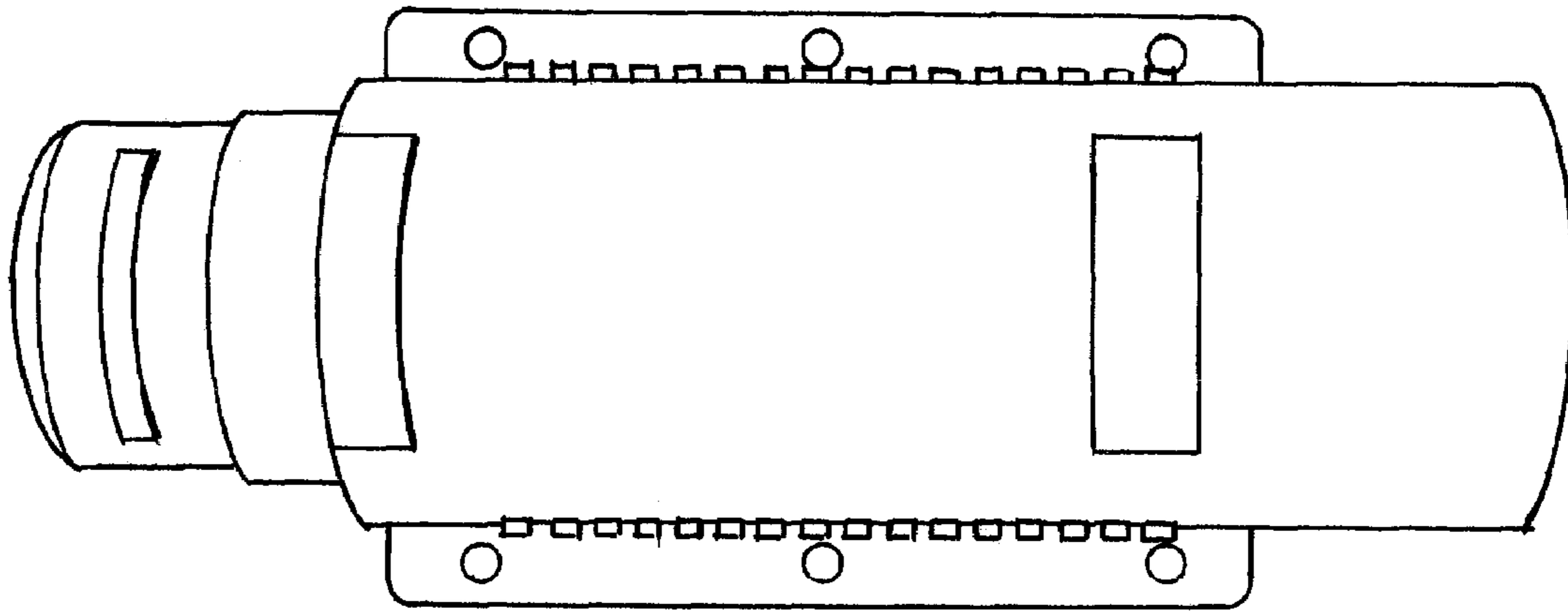


FIG. 1

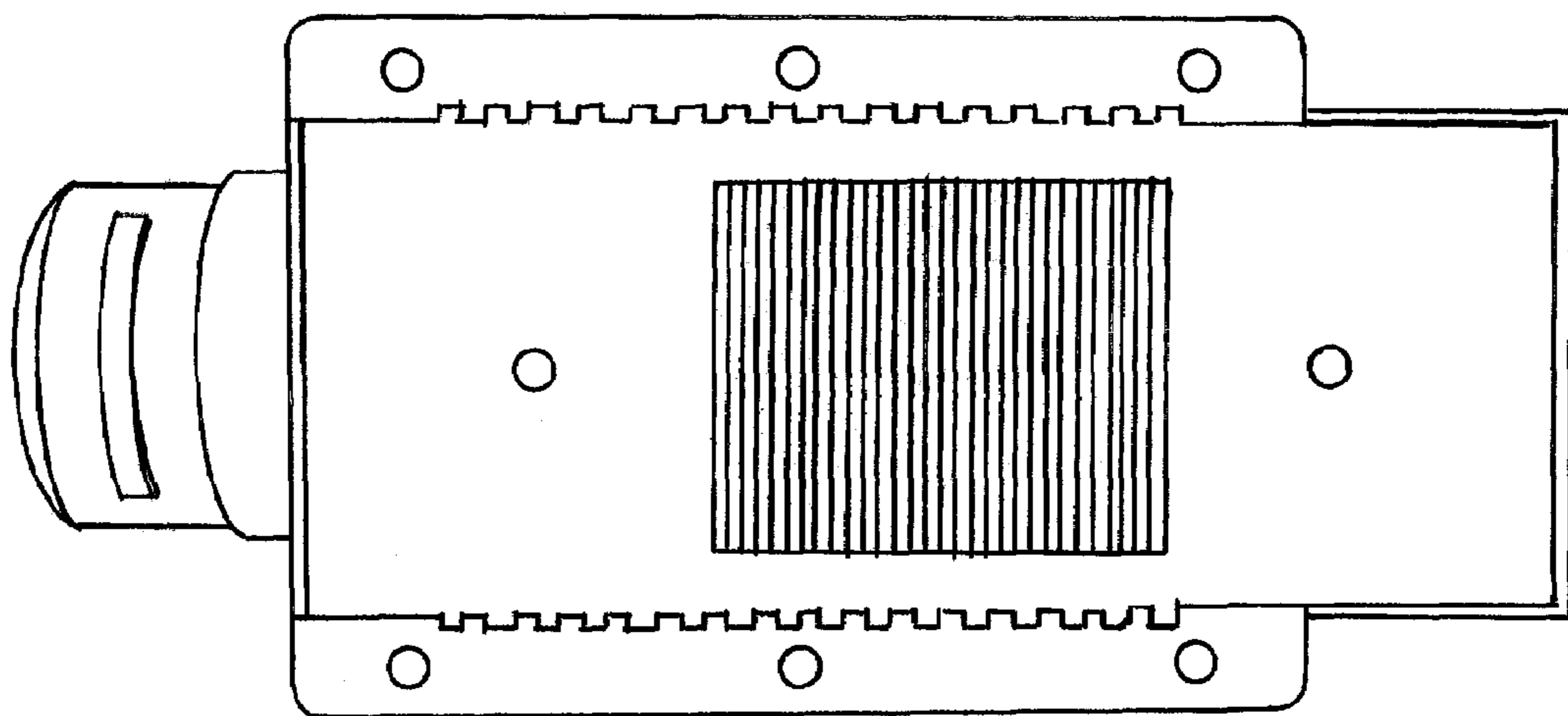


FIG. 2

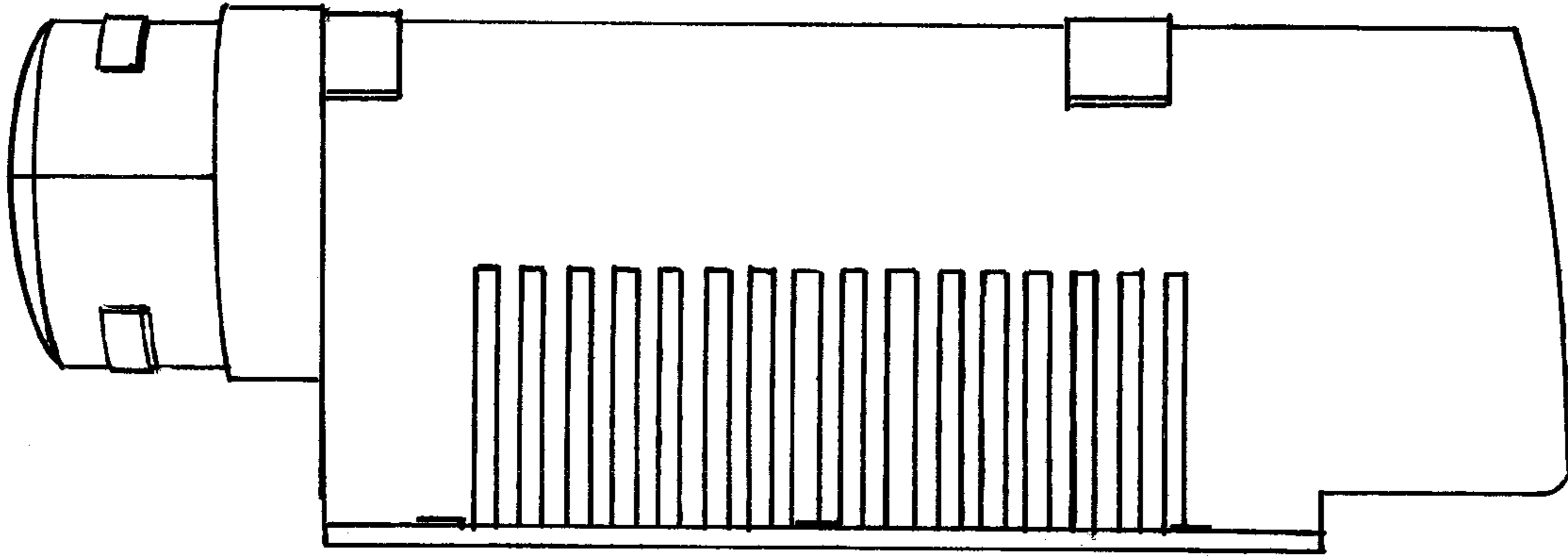


FIG. 3

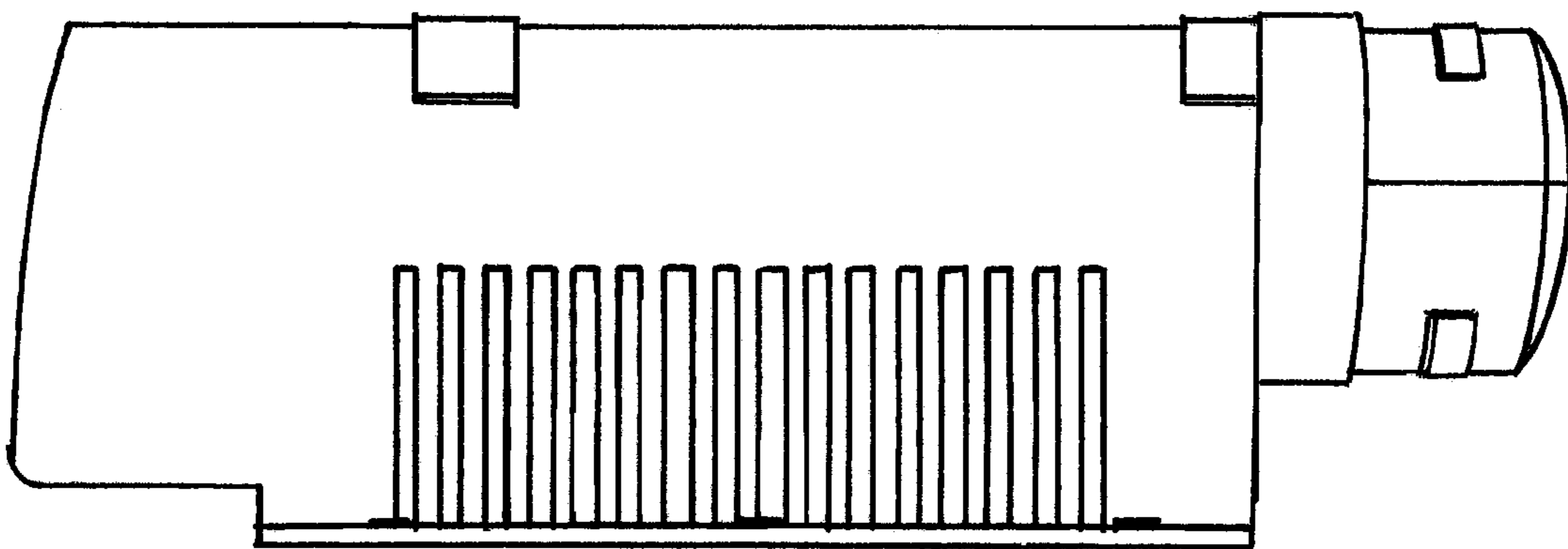


FIG. 4

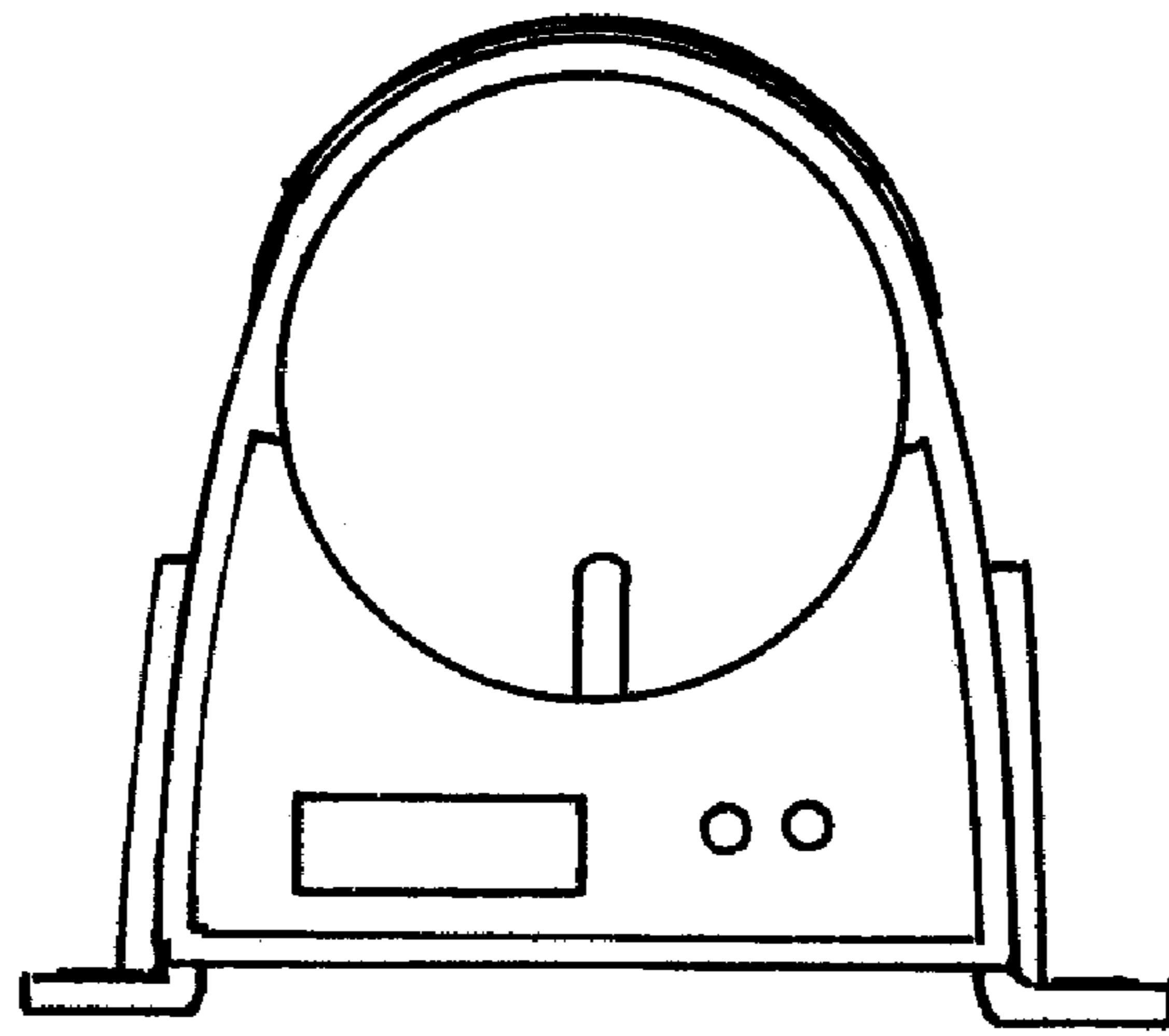


FIG. 5

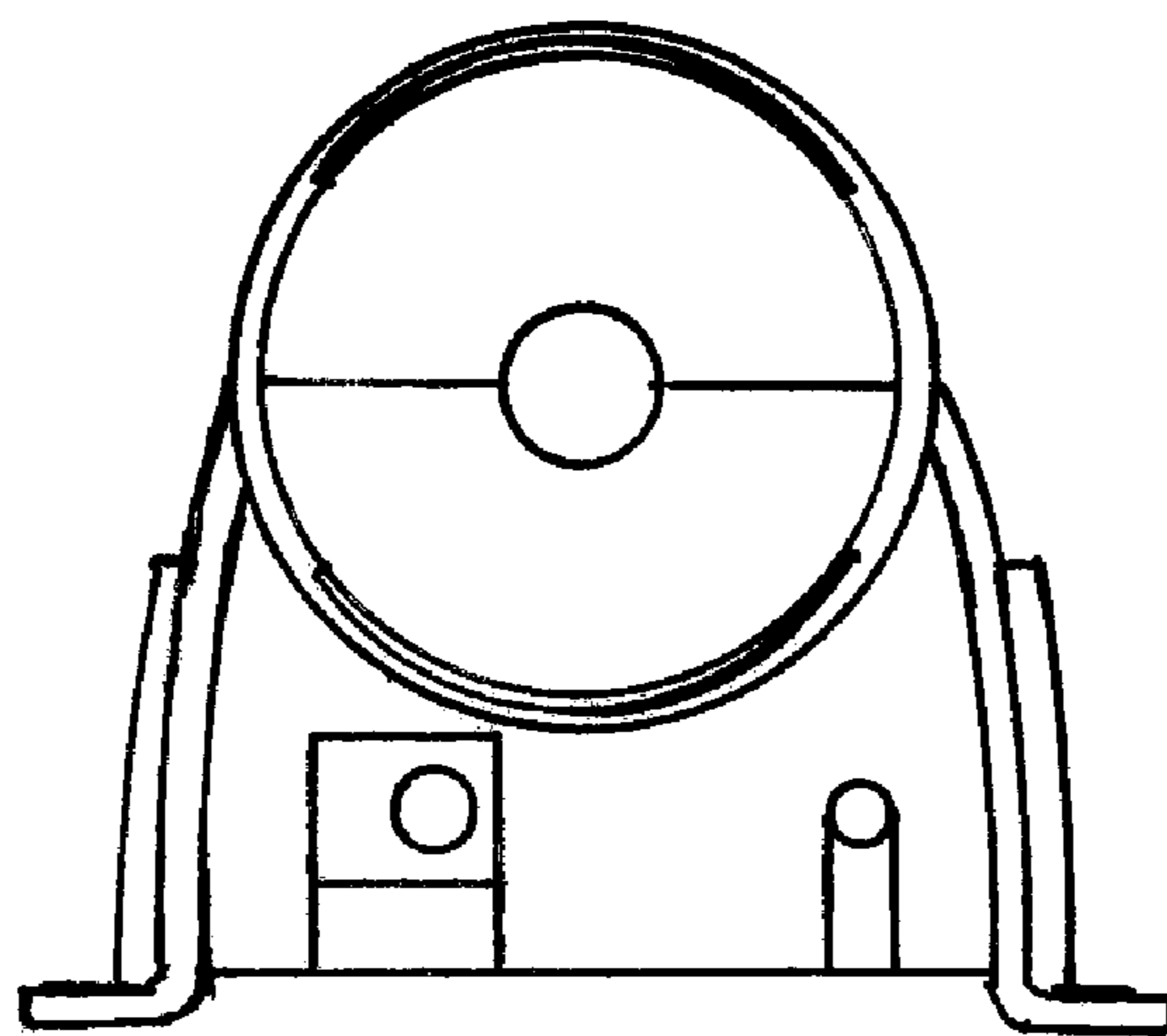


FIG. 6

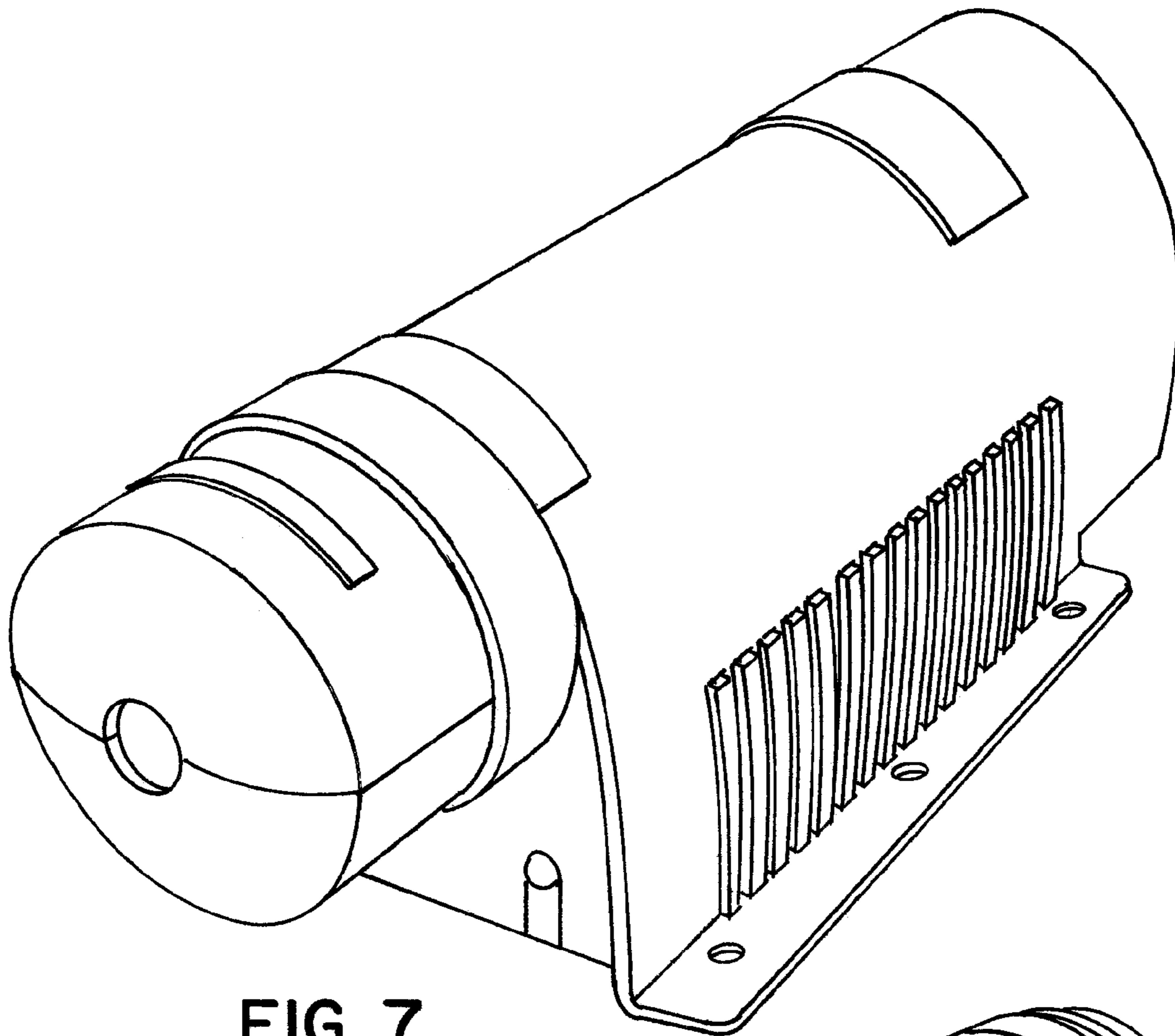


FIG. 7

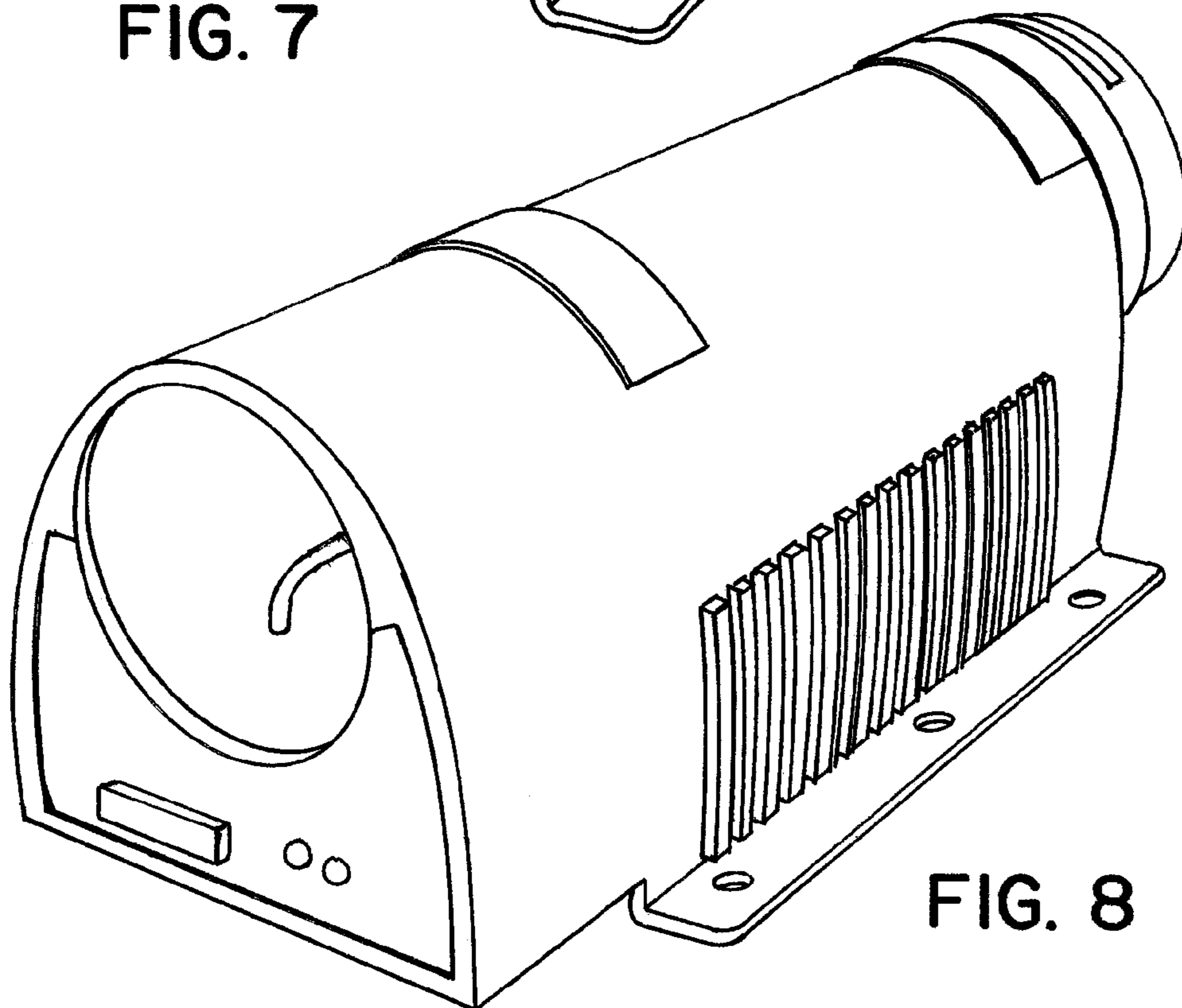


FIG. 8