



US00D564444S

(12) **United States Design Patent**  
**Johnson et al.**

(10) **Patent No.:** **US D564,444 S**  
(45) **Date of Patent:** **\*\* Mar. 18, 2008**

(54) **BATTERY**

4,845,650 A 7/1989 Meade et al.

(75) Inventors: **Todd W. Johnson**, Wauwatosa, WI  
(US); **Scott D. Bublitz**, Hartland, WI  
(US)

(Continued)

**FOREIGN PATENT DOCUMENTS**

(73) Assignee: **Milwaukee Electric Tool Corporation**,  
Brookfield, WI (US)

JP 2001143678 A 5/2001

**OTHER PUBLICATIONS**

(\*\*) Term: **14 Years**

Dantona Industries, Inc., list of tool batteries entitled "New Power Tool Programs from Dantona", dated Sep. 2001.

(21) Appl. No.: **29/276,093**

(Continued)

(22) Filed: **Jan. 15, 2007**

*Primary Examiner*—Cathron Brooks  
*Assistant Examiner*—Rosemary K Tarcza  
(74) *Attorney, Agent, or Firm*—Michael Best & Friedrich LLP

**Related U.S. Application Data**

(63) Continuation of application No. 29/205,933, filed on May 21, 2004, now Pat. No. Des. 539,221.

- (51) **LOC (8) Cl.** ..... **13-02**
- (52) **U.S. Cl.** ..... **D13/103**
- (58) **Field of Classification Search** ..... D13/102–106,  
D13/110, 118–119, 184; 429/96–100, 163,  
429/176

See application file for complete search history.

(57) **CLAIM**

We claim the ornamental design for a battery, as shown and described in the figures.

**DESCRIPTION**

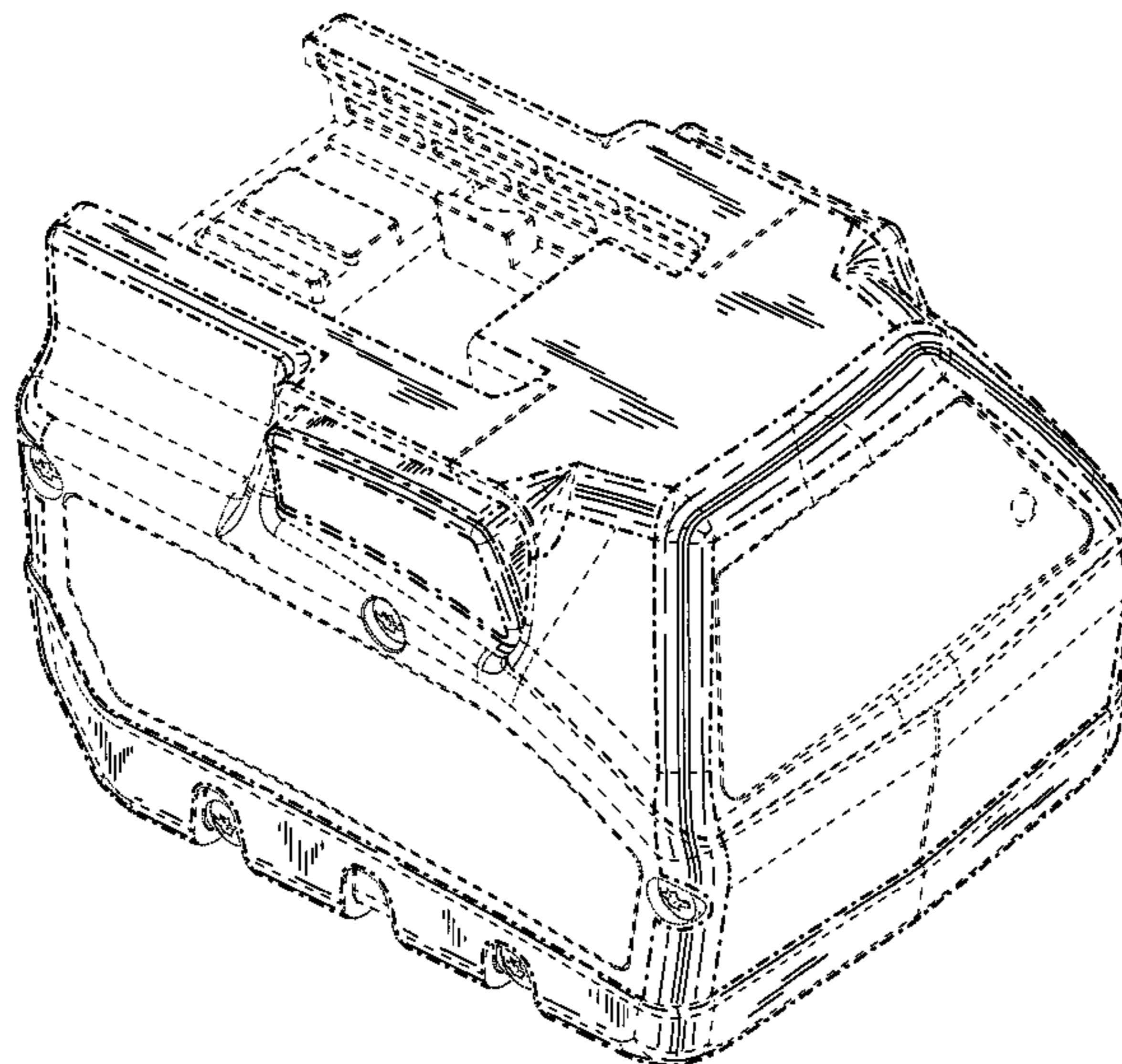
FIG. 1 is a front perspective view of a battery.  
 FIG. 2 is a rear perspective view of the battery shown in FIG. 1.  
 FIG. 3 is a top view of the battery shown in FIG. 1.  
 FIG. 4 is a bottom view of the battery shown in FIG. 1.  
 FIG. 5 is a front view of the battery shown in FIG. 1.  
 FIG. 6 is a rear view of the battery shown in FIG. 1.  
 FIG. 7 is a left side view of the battery shown in FIG. 1; and,  
 FIG. 8 is a right side view of the battery shown in FIG. 1.  
 The broken line showing of the environment is for illustrative purposes only and forms no part of the claimed design. The dash-dot lines which define boundaries of the claimed design form no part thereof.

(56) **References Cited**

**U.S. PATENT DOCUMENTS**

- |             |         |                 |
|-------------|---------|-----------------|
| 3,852,652 A | 12/1974 | Jasinski        |
| 3,906,369 A | 9/1975  | Pitman et al.   |
| D260,886 S  | 9/1981  | Taylor          |
| 4,342,953 A | 8/1982  | Collins         |
| D266,501 S  | 10/1982 | Stefanik        |
| D278,142 S  | 3/1985  | Chan            |
| D278,426 S  | 4/1985  | Lanci et al.    |
| D285,554 S  | 9/1986  | Beaumont et al. |
| D295,529 S  | 5/1988  | Masaki et al.   |
| D296,529 S  | 7/1988  | Larson et al.   |
| D301,135 S  | 5/1989  | Schappler       |
| D301,331 S  | 5/1989  | Rhodin          |
| 4,829,226 A | 5/1989  | Nakamura et al. |

**1 Claim, 8 Drawing Sheets**



U.S. PATENT DOCUMENTS

D313,391 S 1/1991 Pudwill  
 D321,338 S 11/1991 Sakamoto et al.  
 D322,060 S 12/1991 Iino  
 5,144,217 A 9/1992 Gardner et al.  
 5,179,337 A 1/1993 Staarman et al.  
 5,200,686 A 4/1993 Lee  
 5,213,913 A 5/1993 Anthony, III et al.  
 5,298,821 A 3/1994 Michel  
 5,391,972 A 2/1995 Gardner et al.  
 5,406,187 A 4/1995 Harrison  
 5,438,248 A 8/1995 Hyuck  
 D374,860 S 10/1996 Amero, Jr. et al.  
 D382,535 S 8/1997 Chiang  
 5,686,808 A 11/1997 Lutz  
 D387,728 S 12/1997 Kawakami et al.  
 D388,792 S 1/1998 Nykerk  
 5,744,937 A 4/1998 Cheon  
 D396,686 S 8/1998 Bay et al.  
 D398,900 S 9/1998 Roman  
 D401,216 S 11/1998 Person et al.  
 5,902,080 A 5/1999 Kopras  
 5,903,423 A 5/1999 Okano et al.  
 5,909,101 A 6/1999 Matsumoto et al.  
 5,912,546 A 6/1999 Sakou et al.  
 D412,485 S 8/1999 Kato et al.  
 D417,648 S 12/1999 Clowers et al.  
 6,066,938 A 5/2000 Hyodo et al.  
 6,075,341 A 6/2000 White et al.  
 D431,230 S 9/2000 Began  
 6,114,831 A 9/2000 Attimont et al.  
 D432,986 S 10/2000 Krumenacker et al.  
 D436,343 S 1/2001 Harrington et al.  
 6,175,211 B1 1/2001 Brotto  
 6,175,213 B1 1/2001 Centa et al.  
 6,181,102 B1 1/2001 Andrews et al.  
 6,191,554 B1 2/2001 Nakane et al.  
 D440,936 S 4/2001 Burns  
 6,215,275 B1 4/2001 Bean  
 6,218,806 B1 4/2001 Brotto et al.  
 6,229,280 B1 5/2001 Sakoh et al.  
 D443,274 S 6/2001 Loughnane et al.  
 D448,724 S 10/2001 Hsiao  
 D450,338 S 11/2001 Hamamura

6,326,101 B1 12/2001 White et al.  
 6,329,788 B1 12/2001 Bailey, Jr. et al.  
 6,331,761 B1 12/2001 Kumar et al.  
 D456,002 S 4/2002 Kato et al.  
 D458,932 S 6/2002 Huang  
 D460,413 S 7/2002 Zurwelle et al.  
 D467,867 S 12/2002 Hsiao  
 6,500,581 B2 12/2002 White et al.  
 6,508,313 B1 1/2003 Carney et al.  
 6,537,694 B1 3/2003 Sugiura et al.  
 D483,012 S \* 12/2003 Hsu ..... D13/103  
 D484,850 S \* 1/2004 Johnson ..... D13/103  
 D511,744 S \* 11/2005 Hsu et al. .... D13/108  
 D512,373 S \* 12/2005 Tsai et al. .... D13/108  
 D513,730 S 1/2006 Johnson  
 D514,060 S \* 1/2006 Wong et al. .... D13/103  
 D516,504 S \* 3/2006 Okuda et al. .... D13/103  
 D521,447 S 5/2006 Ono et al.  
 D523,807 S \* 6/2006 Murayama et al. .... D13/103  
 D539,221 S \* 3/2007 Johnson et al. .... D13/119  
 2001/0001533 A1 5/2001 Andersen et al.  
 2004/0081882 A1 \* 4/2004 Ontl ..... 429/96  
 2004/0106036 A1 \* 6/2004 Geis et al. .... 429/99

OTHER PUBLICATIONS

Panasonic Press Release, "Professional Cordless Tools", [http://www.panasonic.com/commercial\\_building/power\\_tools/press/pr8.html](http://www.panasonic.com/commercial_building/power_tools/press/pr8.html), visited Apr. 16, 2002.  
 Makita Press, "Makita Launches Nickel Metal Hydride", [http://www.makita.com/Press\\_Item\\_View.asp?id=32](http://www.makita.com/Press_Item_View.asp?id=32), website visited Apr. 17, 2002.  
 Makita Press, "Makita's Nickel-Metal Hydride Batteries Reach a New Level", [http://www.makita.com/Press\\_Item\\_View.asp?id=30](http://www.makita.com/Press_Item_View.asp?id=30), website visited Apr. 17, 2002.  
 BOSCH, Specifications "1 Hour Charger", [http://www.boschtools.com/Tools+and+Accessories/Accessories/acc\\_specifications.htm?item\\_no=BC001](http://www.boschtools.com/Tools+and+Accessories/Accessories/acc_specifications.htm?item_no=BC001), website visited Apr. 17, 2002.  
 BOSCH, Specifications "1 Hour Charger", [http://www.boschtools.com/Tools+and+Accessories/Accessories/acc\\_specifications.htm?item\\_no=BC004](http://www.boschtools.com/Tools+and+Accessories/Accessories/acc_specifications.htm?item_no=BC004), website visited Apr. 17, 2002.  
 PANASONIC, New Product, "H Type Nickel Metal Hydride Battery: Improved Low Rate Charge Characteristics at Higher Temperatures", dated Apr. 2002.

\* cited by examiner

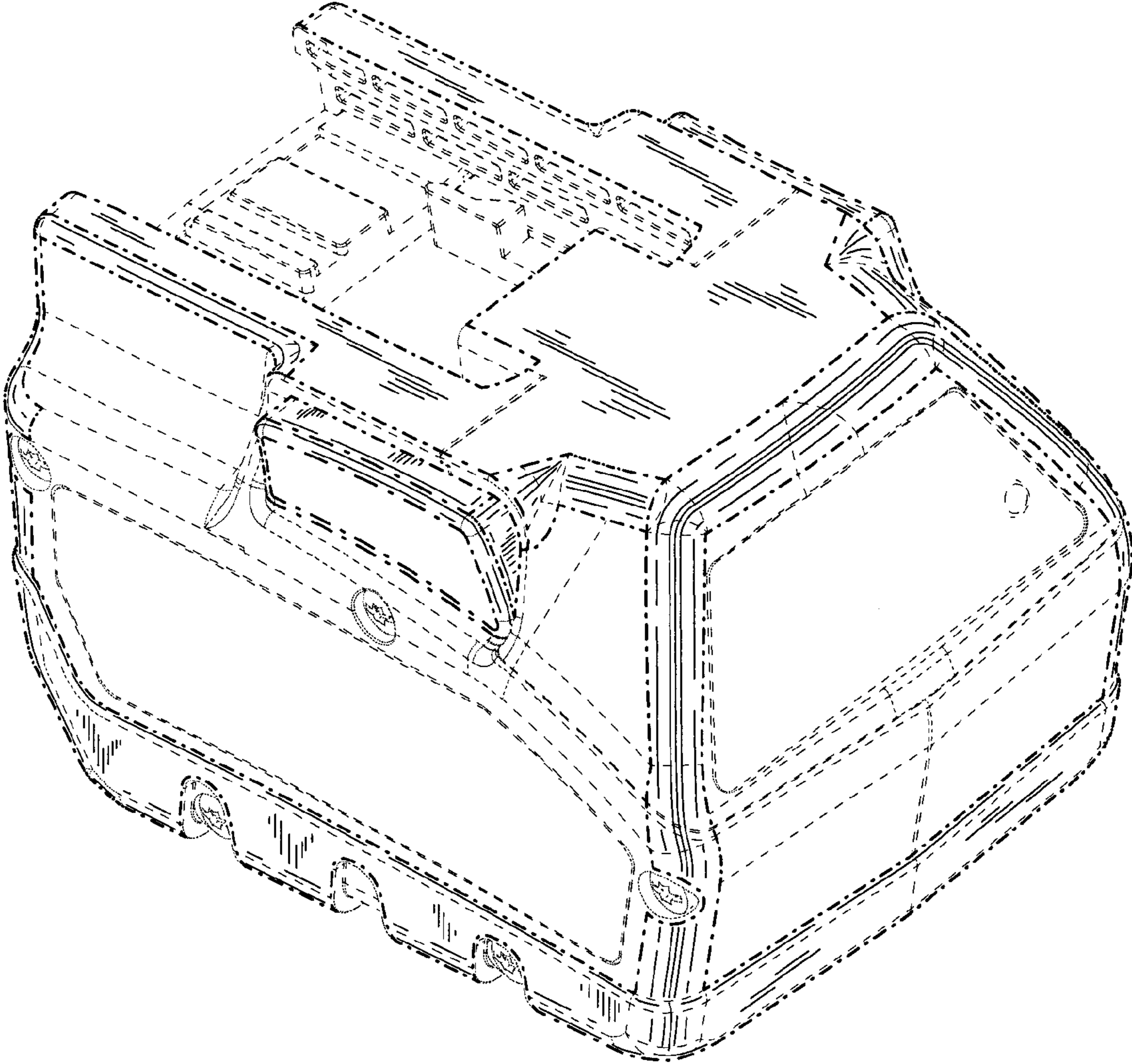


FIG. 1

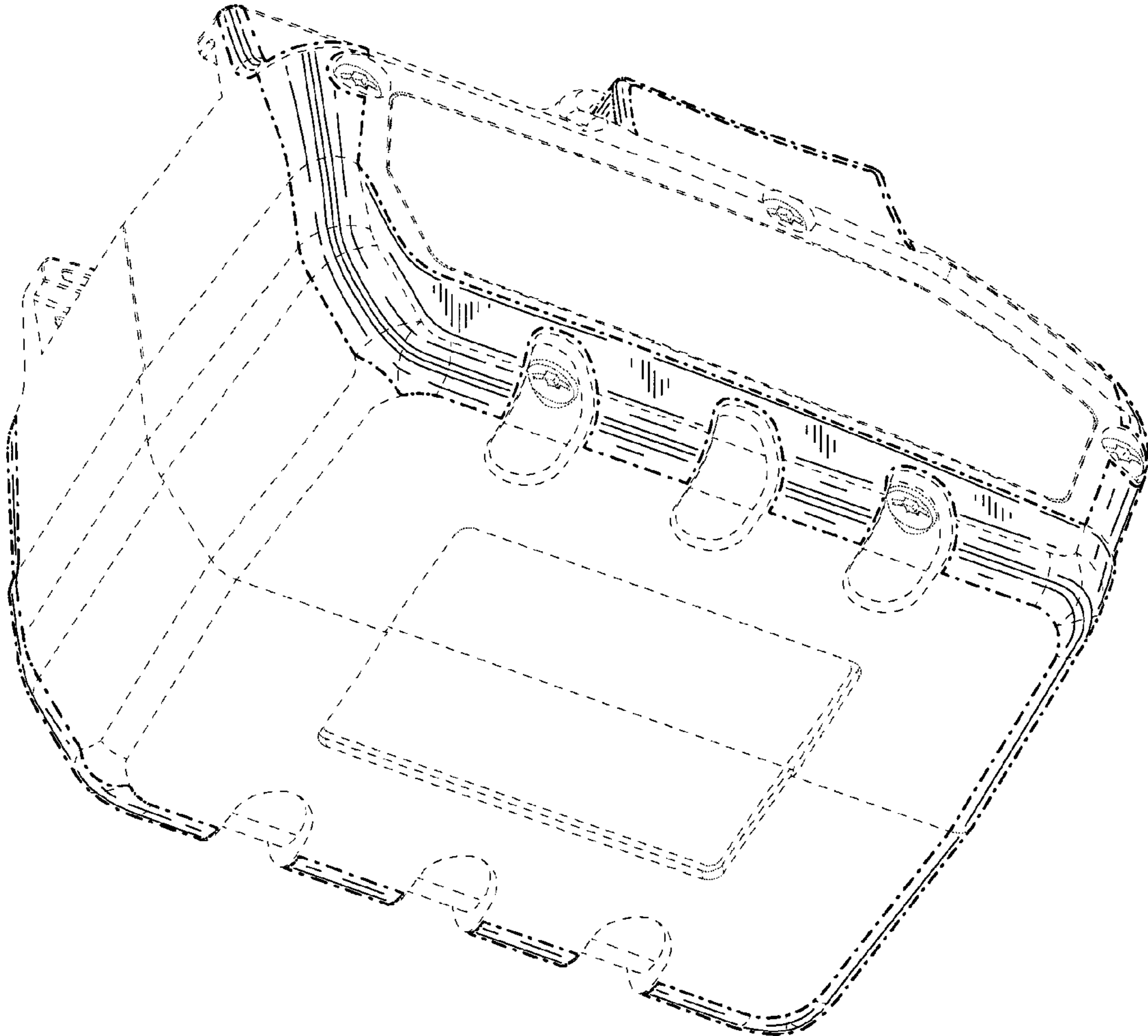
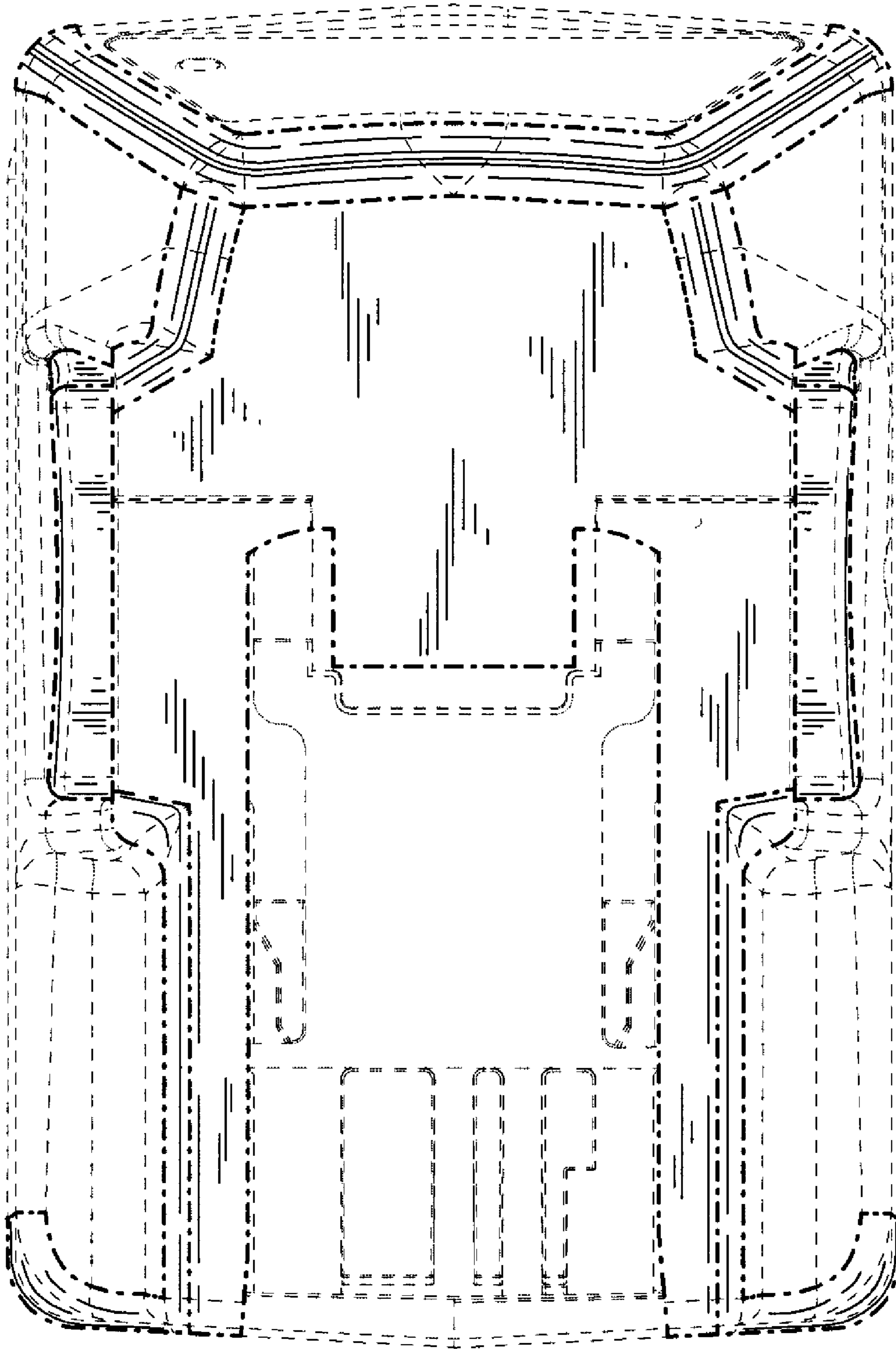
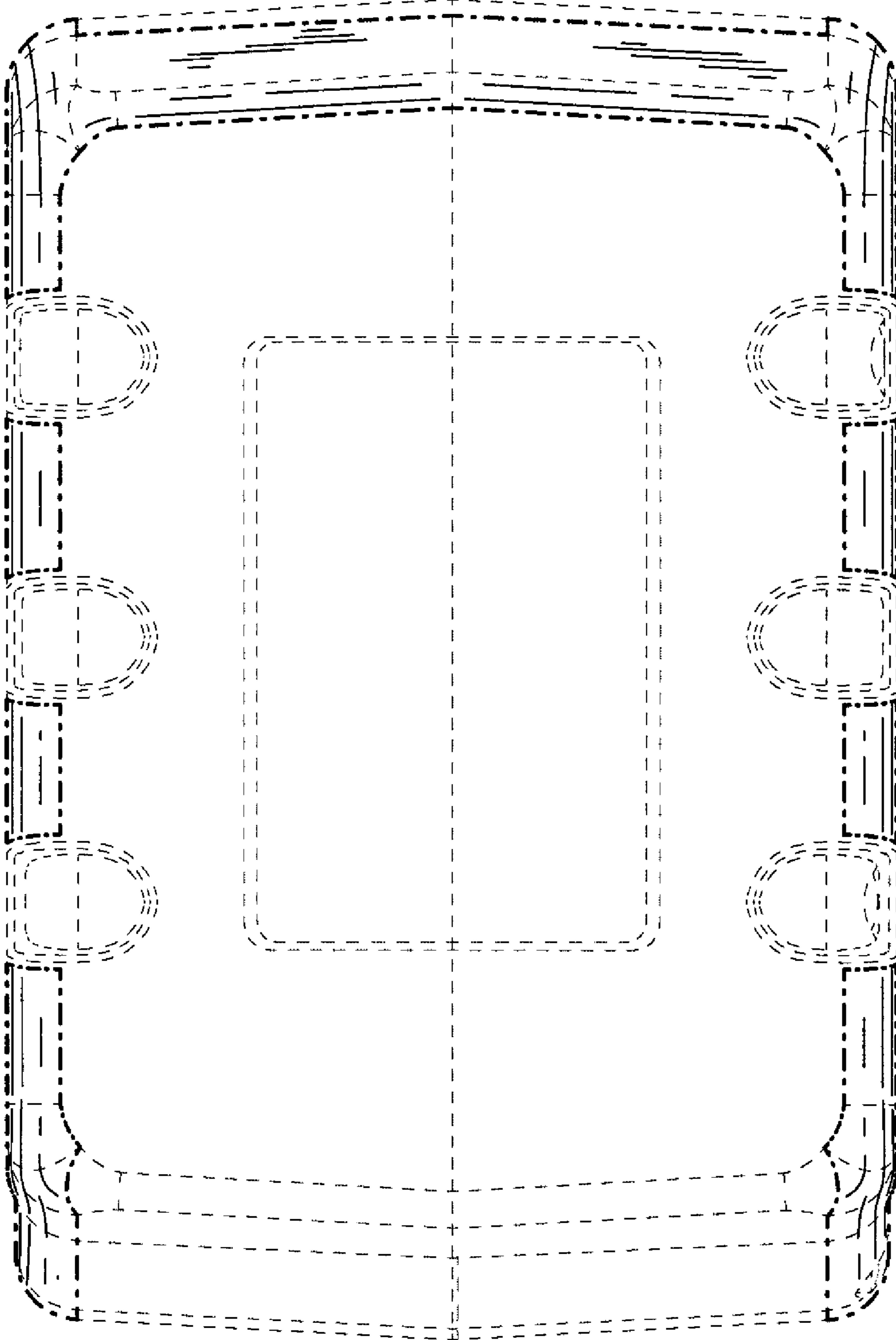


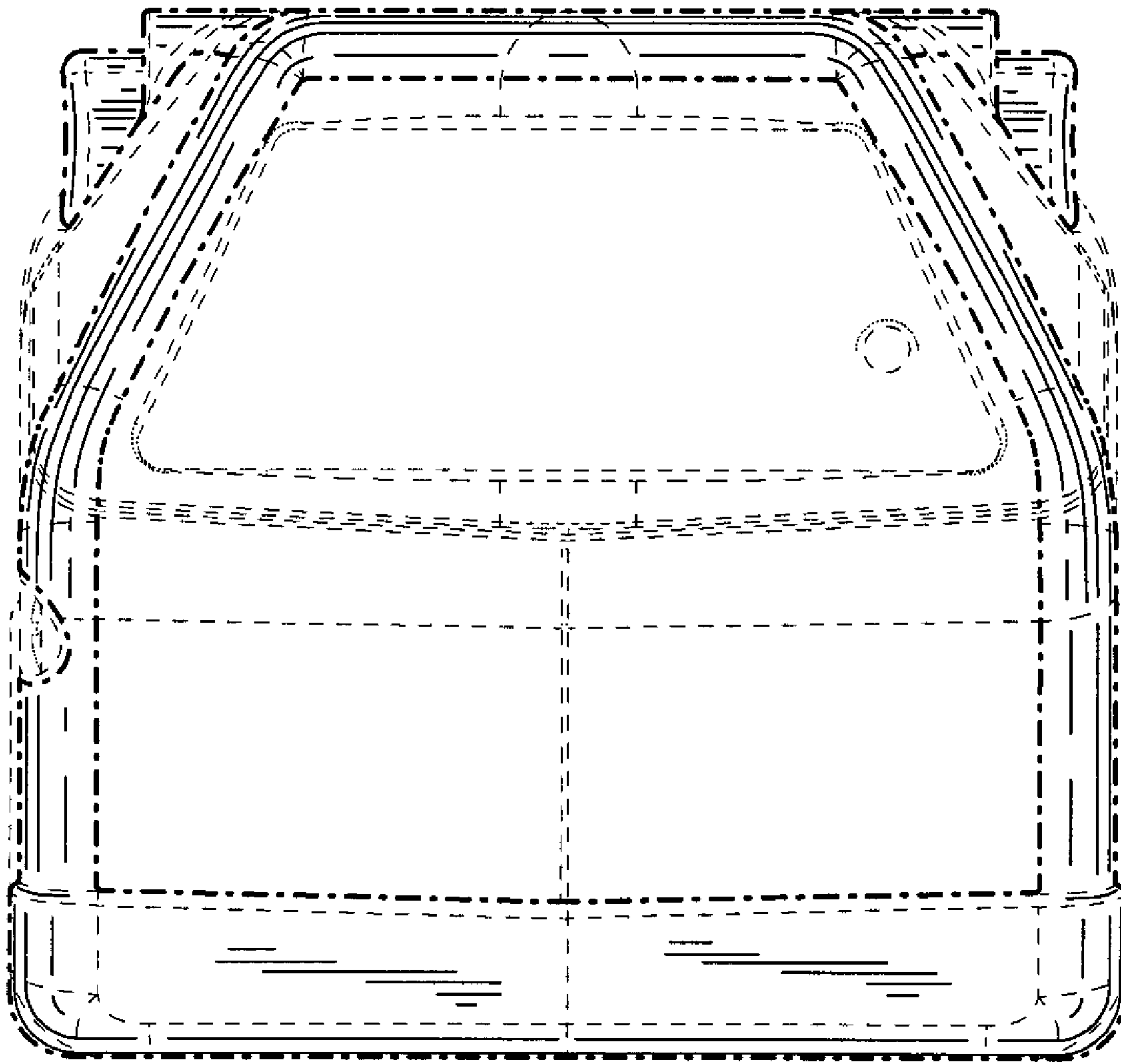
FIG. 2



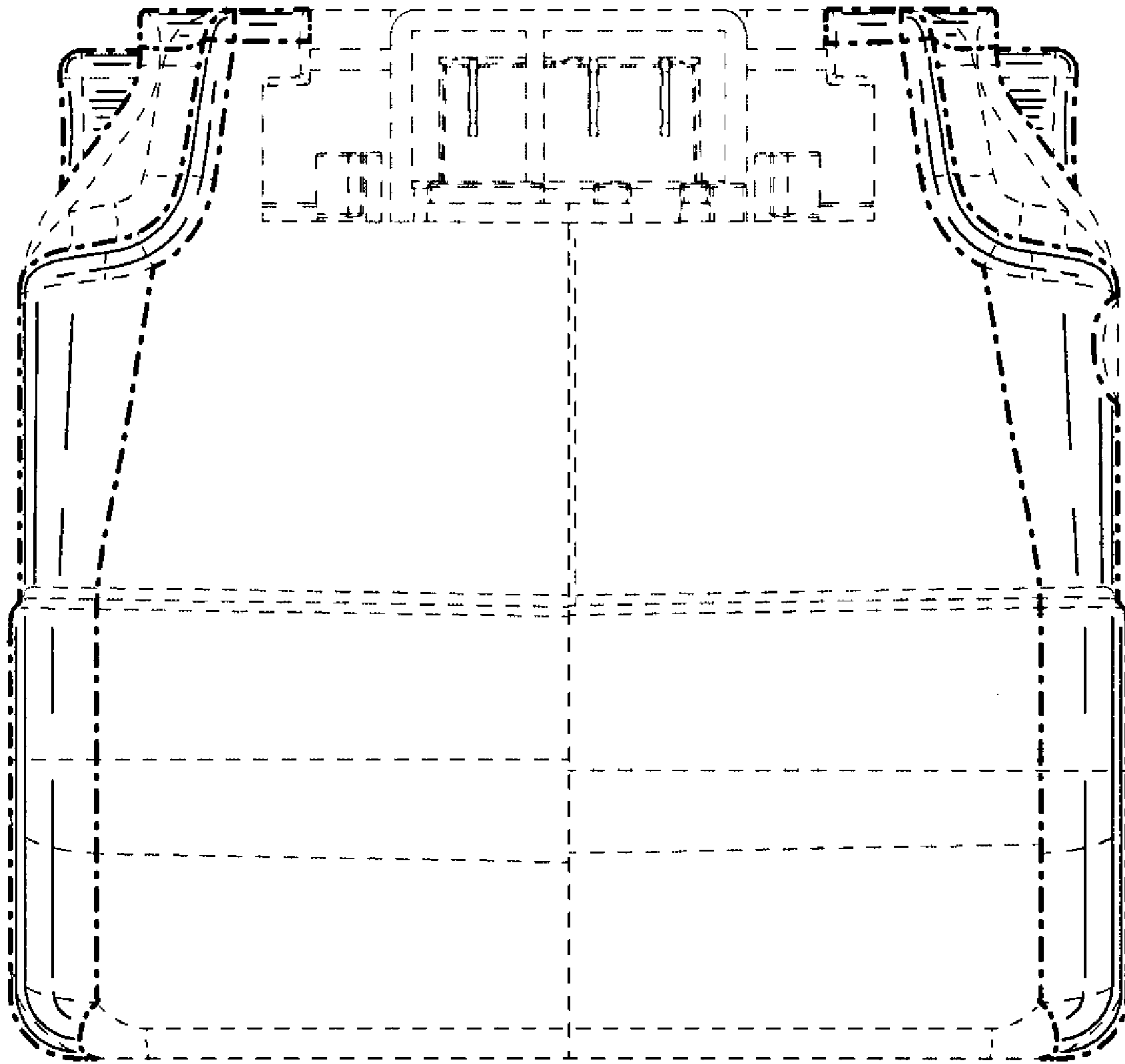
**FIG. 3**



**FIG. 4**

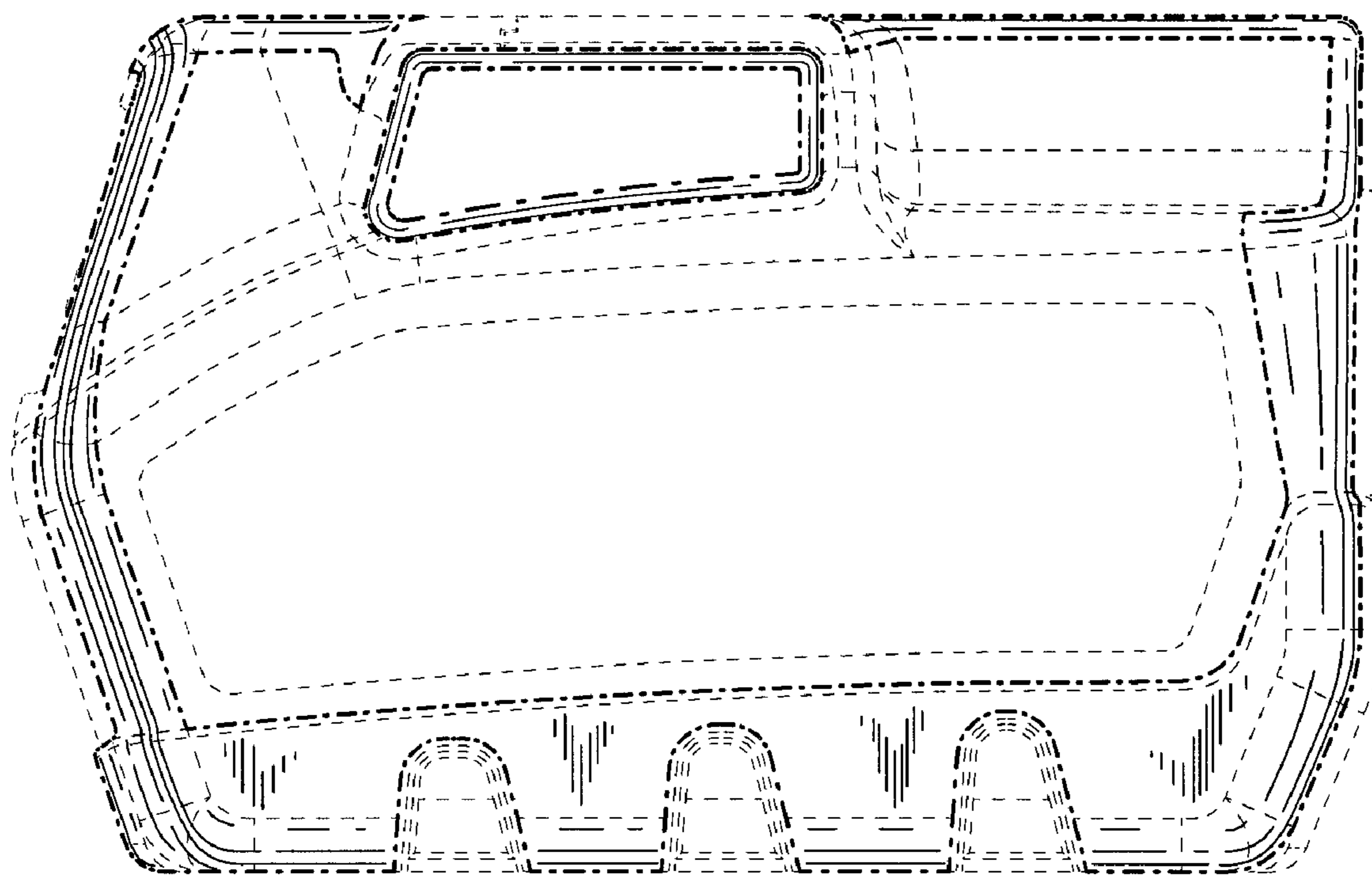


**FIG. 5**

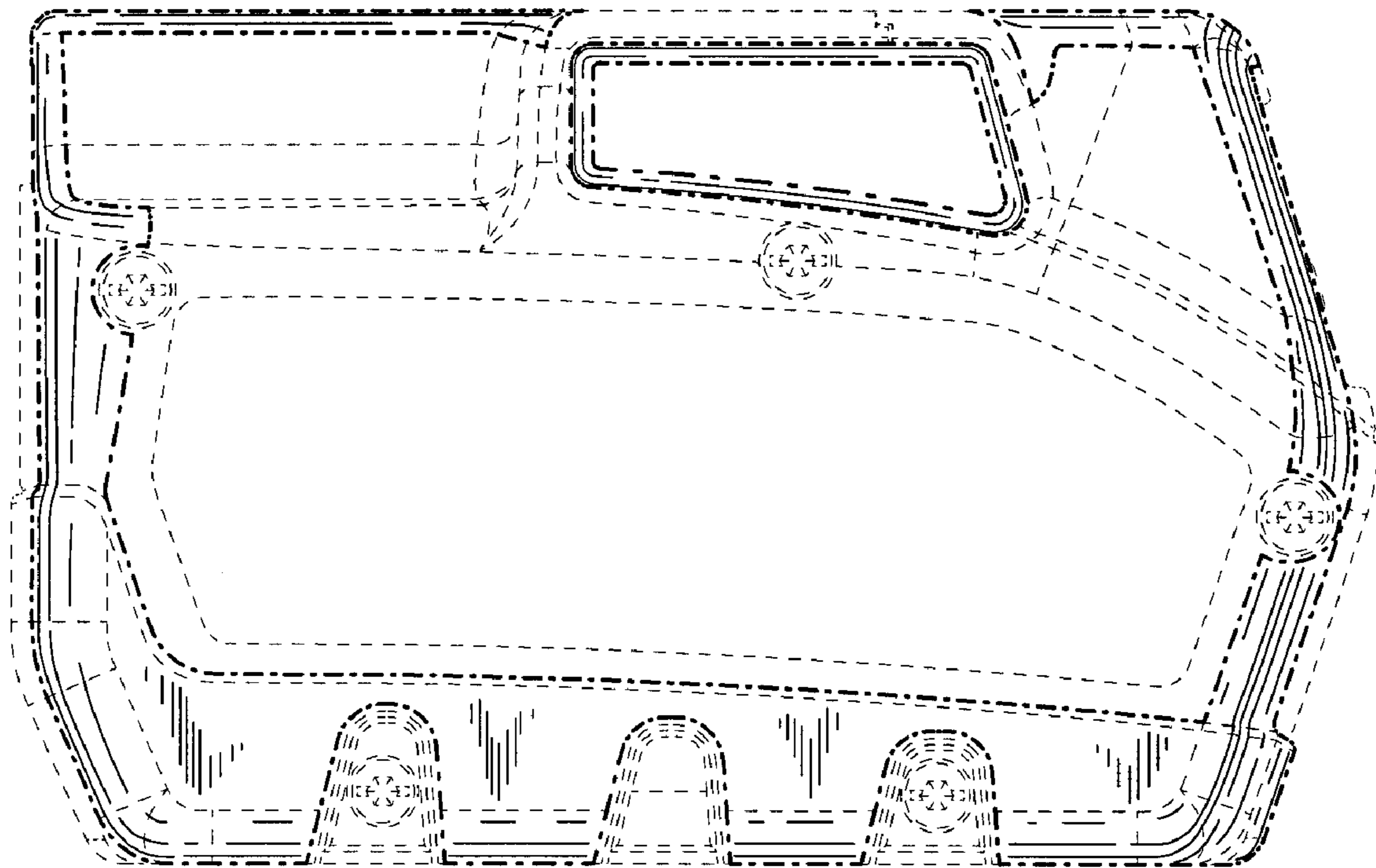


**FIG. 6**





**FIG. 7**



**FIG. 8**