

US00D564435S

(12) **United States Design Patent**
Tolentino

(10) **Patent No.:** **US D564,435 S**

(45) **Date of Patent:** **** Mar. 18, 2008**

(54) **SIDE LOCK WIPER ARM CONNECTOR**

D480,679 S * 10/2003 Lee D12/220
D553,552 S * 10/2007 Heng D12/220

(75) Inventor: **Vambi R. Tolentino**, Coconut Creek,
FL (US)

* cited by examiner

(73) Assignee: **Pylon Manufacturing Corporation**,
Deerfield Beach, FL (US)

Primary Examiner—Stacia Cadmus

(74) *Attorney, Agent, or Firm*—Honigman Miller Schwartz
& Cohn LLP

(**) Term: **14 Years**

(57) **CLAIM**

(21) Appl. No.: **29/296,688**

The ornamental design for side lock wiper arm connector, as
shown and described.

(22) Filed: **Oct. 25, 2007**

(51) **LOC (8) Cl.** **12-06**

(52) **U.S. Cl.** **D12/220**

(58) **Field of Classification Search** D12/219–220;
403/3–4, 321, 329; 15/250.001, 250.05,
15/250.07, 250.3, 250.32, 250.33, 250.38–44,
15/260.46, 250.351, 250.361

See application file for complete search history.

DESCRIPTION

FIG. 1 is an isometric view of the side lock wiper arm
connector of the present invention;

FIG. 2 is a front elevational view of the wiper arm connector
of FIG. 1;

FIG. 3 is rear elevational view of the wiper arm of FIG. 1;

FIG. 4 is a left side elevational view of the wiper arm
connector of FIG. 1;

FIG. 5 is a right side elevational view of the wiper arm of
FIG. 1;

FIG. 6 is a top plan view of the wiper arm connector of FIG.
1; and,

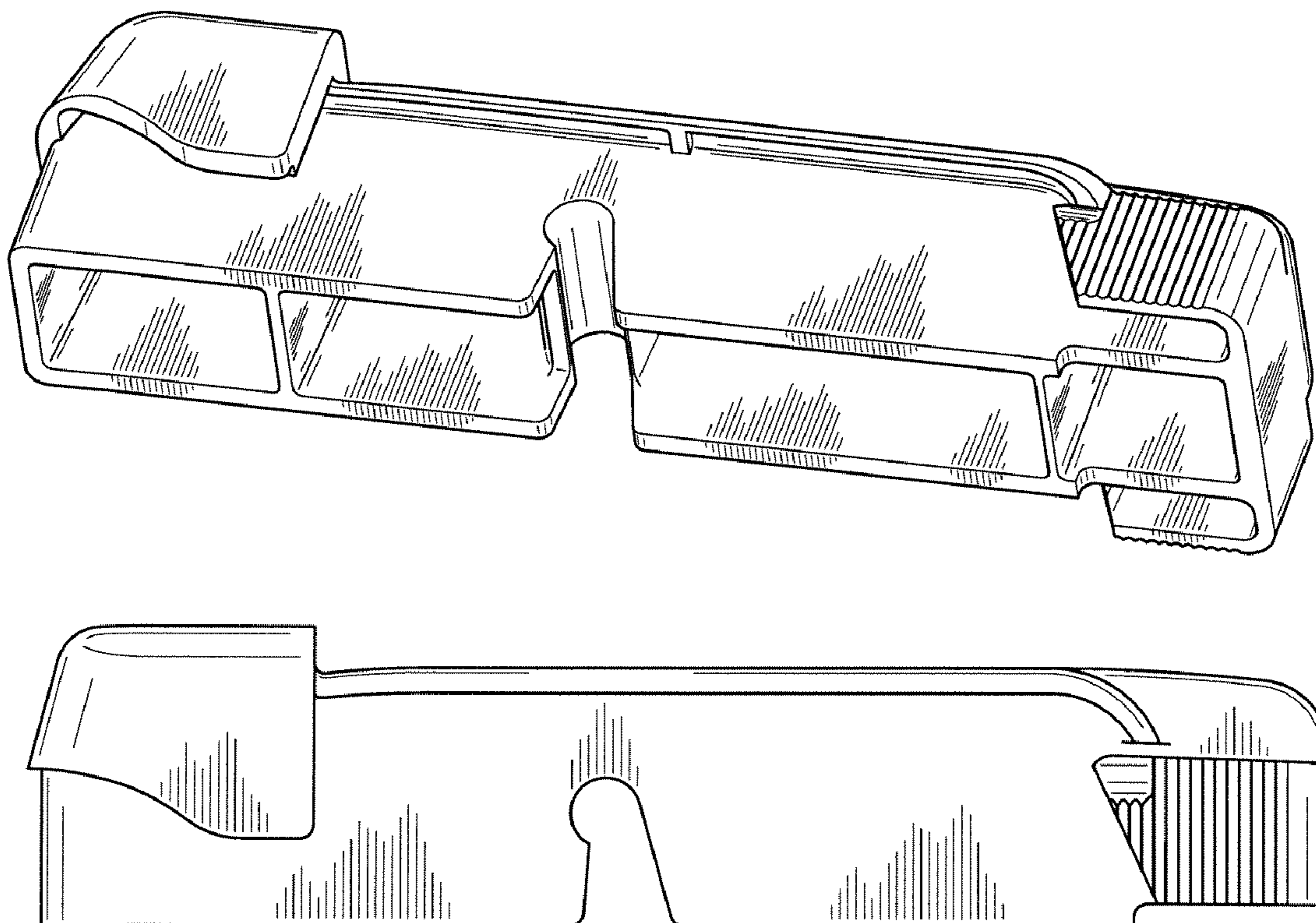
FIG. 7 is a bottom view of the wiper arm connector of FIG.
1;

(56) **References Cited**

U.S. PATENT DOCUMENTS

D353,359 S * 12/1994 Lee D12/220
D395,864 S * 7/1998 Stahlhut et al. D12/220
D402,254 S * 12/1998 Lee D12/220
D410,889 S * 6/1999 Lee D12/220
D411,503 S * 6/1999 Lee D12/220
D418,474 S * 1/2000 Witek et al. D12/220
D478,308 S * 8/2003 Lee D12/220

1 Claim, 4 Drawing Sheets



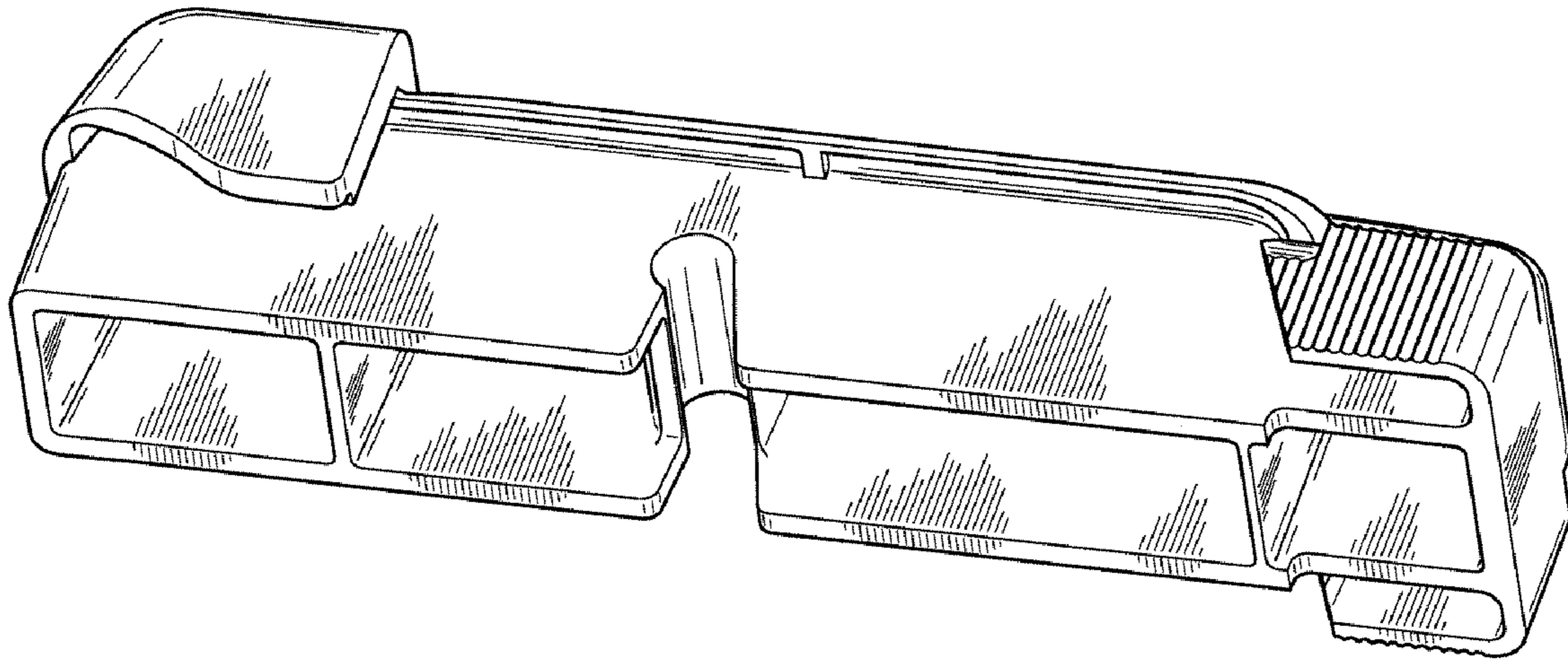


FIG. 1

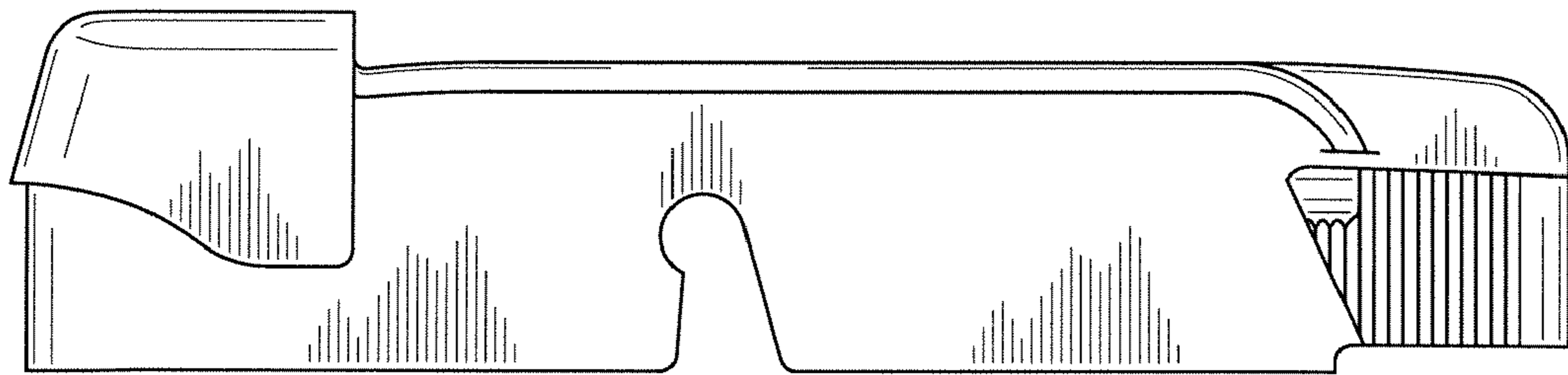


FIG. 2

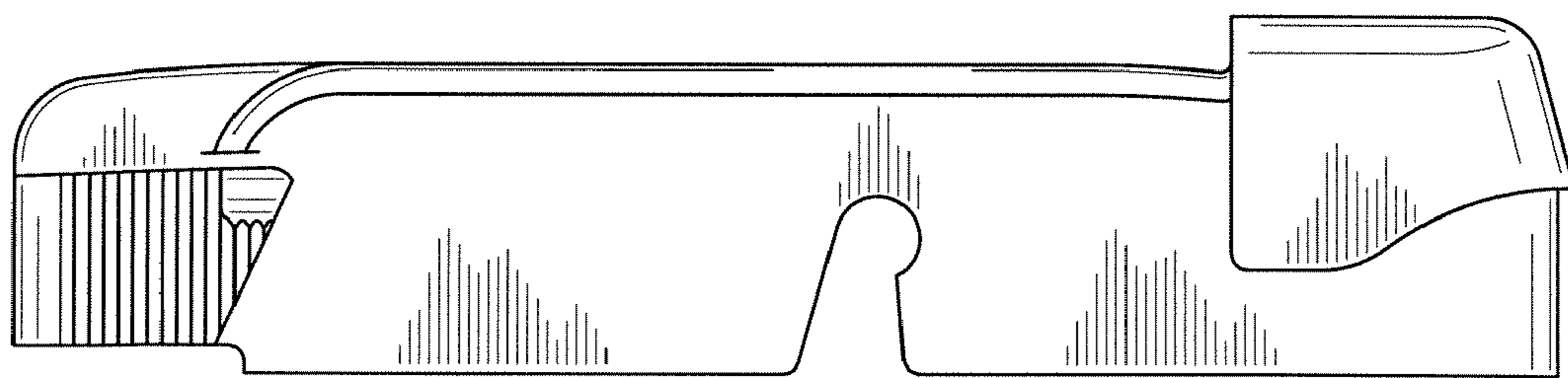


FIG. 3

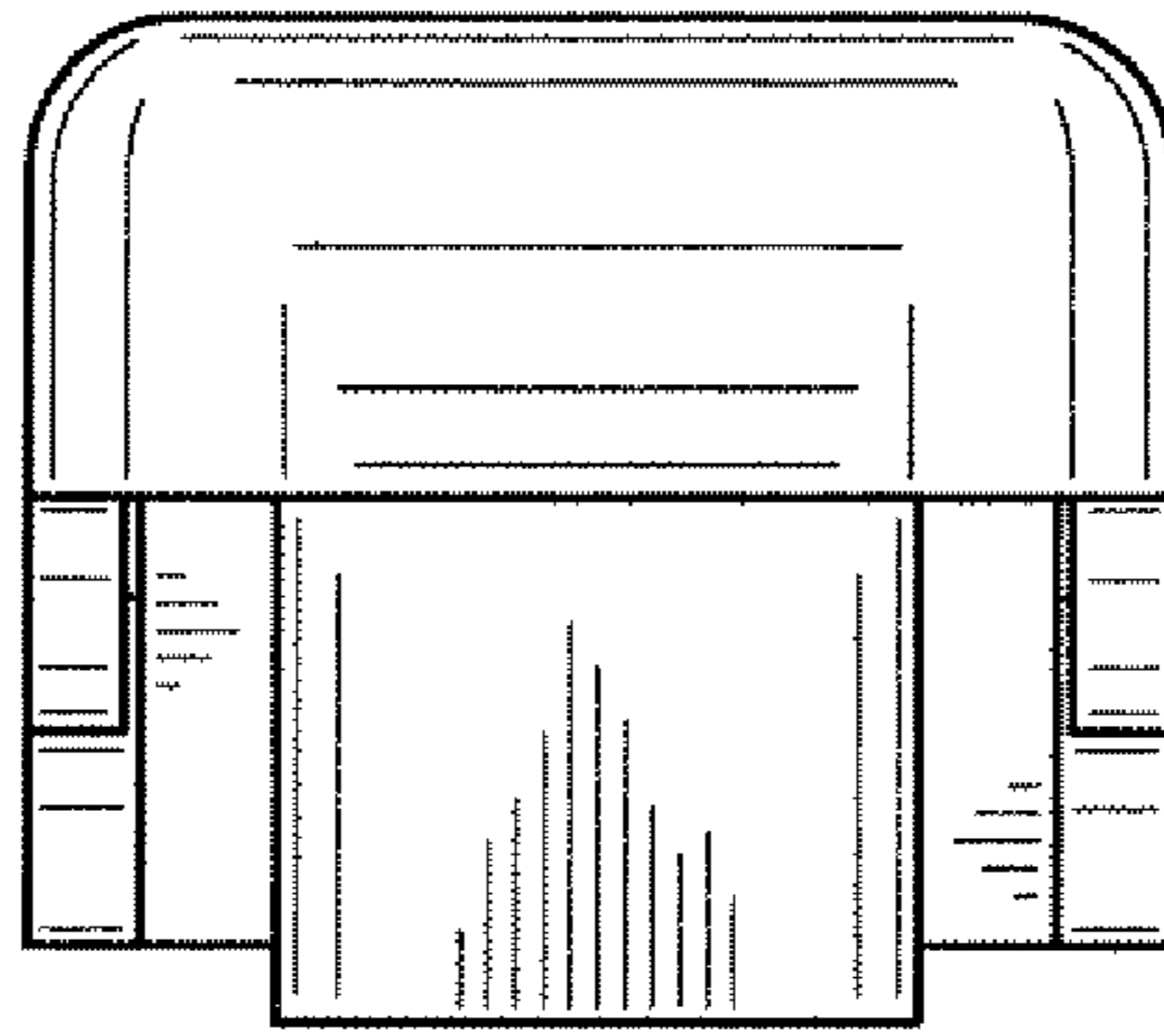


FIG. 4

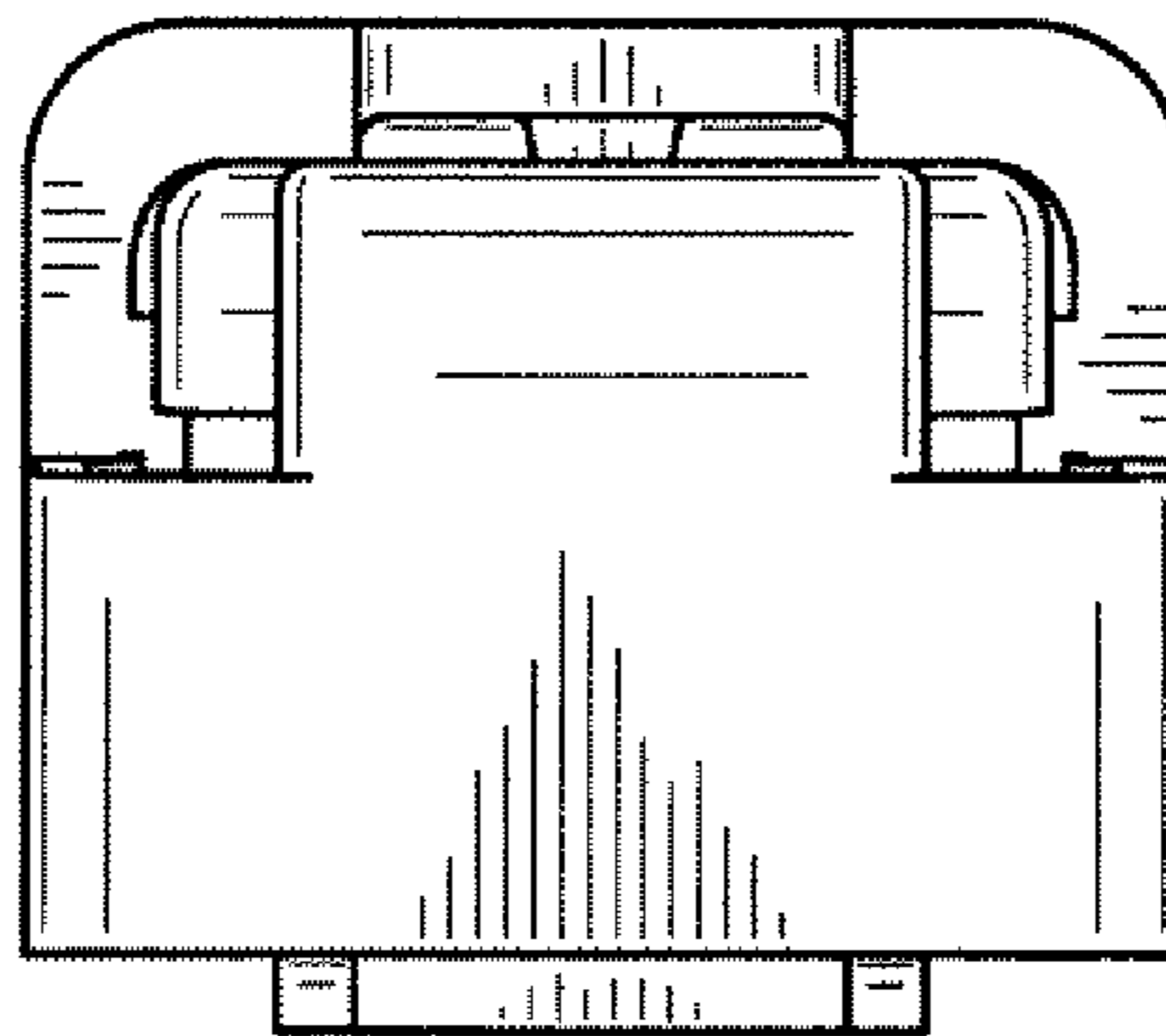


FIG. 5

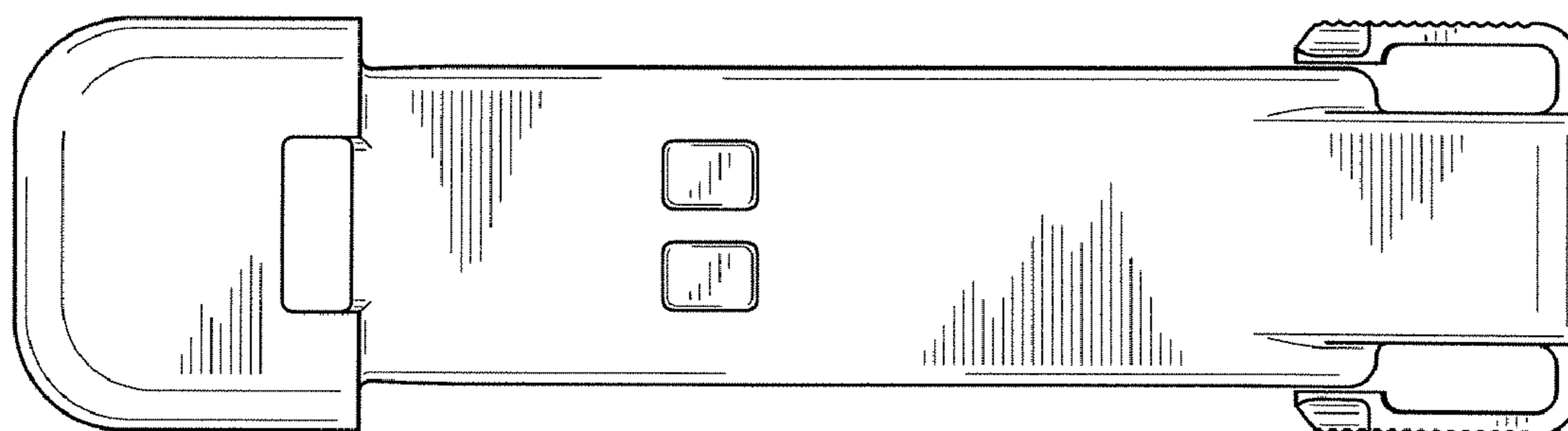


FIG. 6

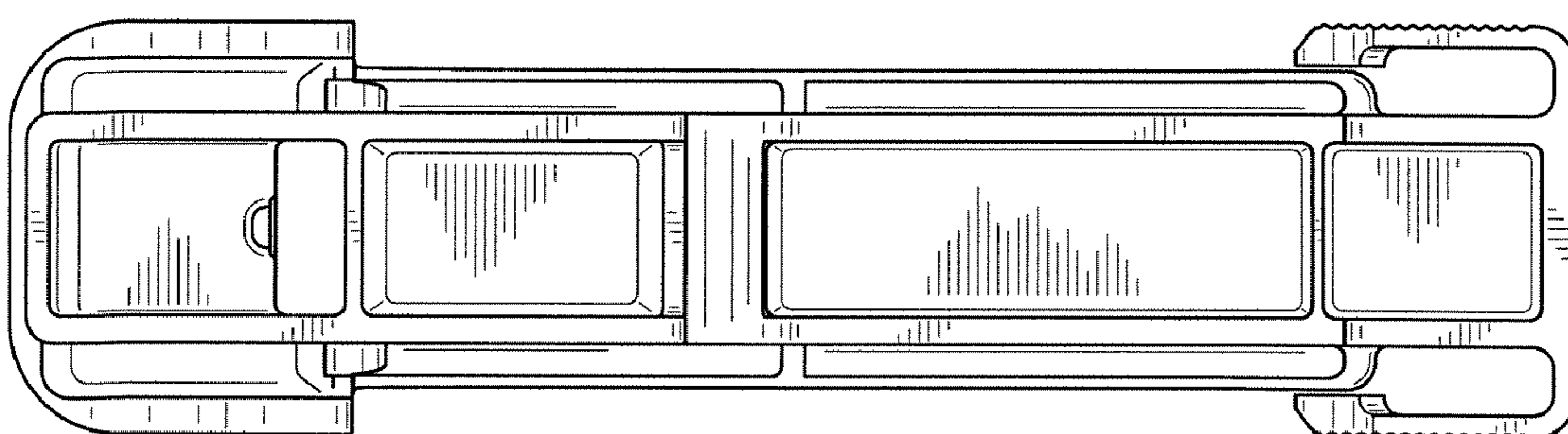


FIG. 7