

US00D564432S

(12) **United States Design Patent**  
**Pfeiffer**

(10) **Patent No.:** **US D564,432 S**

(45) **Date of Patent:** **\*\* Mar. 18, 2008**

- (54) **REAR DOOR FOR A VEHICLE**
- (75) Inventor: **Peter Pfeiffer**, Boeblingen (DE)
- (73) Assignee: **DaimlerChrysler AG**, Stuttgart (DE)
- (\*\*) Term: **14 Years**
- (21) Appl. No.: **29/271,916**
- (22) Filed: **Jan. 30, 2007**
- (30) **Foreign Application Priority Data**  
Jul. 31, 2006 (DE) ..... 4 06 03 970
- (51) **LOC (8) Cl.** ..... **12-16**
- (52) **U.S. Cl.** ..... **D12/196**
- (58) **Field of Classification Search** ..... D12/196,  
D12/86, 90-92; 296/181.1  
See application file for complete search history.

(56) **References Cited**

**U.S. PATENT DOCUMENTS**

- D443,241 S \* 6/2001 Ohsaki ..... D12/196
- D457,115 S \* 5/2002 Mahoney et al. .... D12/196
- D466,458 S \* 12/2002 Murkett ..... D12/196
- D481,339 S \* 10/2003 McClellan et al. .... D12/196
- D491,855 S \* 6/2004 Velazco ..... D12/196
- D494,913 S \* 8/2004 Chapman ..... D12/196
- D501,167 S \* 1/2005 Otto et al. .... D12/196
- D507,219 S \* 7/2005 Boyer ..... D12/196

- D515,489 S \* 2/2006 Tokutake ..... D12/196
- D520,428 S \* 5/2006 Iwanaga et al. .... D12/196
- D526,607 S \* 8/2006 Hagino ..... D12/196
- D540,234 S \* 4/2007 Fujimaki ..... D12/196

\* cited by examiner

*Primary Examiner*—Melody N. Brown

(74) *Attorney, Agent, or Firm*—Crowell & Moring LLP

(57) **CLAIM**

The ornamental design for a rear door for a vehicle, as shown and described.

**DESCRIPTION**

This application is related to the following co-pending application, of the inventor, filed on even date herewith: Application Ser. No. 29/271,921, entitled “Vehicle, Toy, and/or Other Replicas”.

FIG. 1 is a left perspective view of a rear door for a vehicle according to my novel design, the right perspective view being mirror symmetrical;

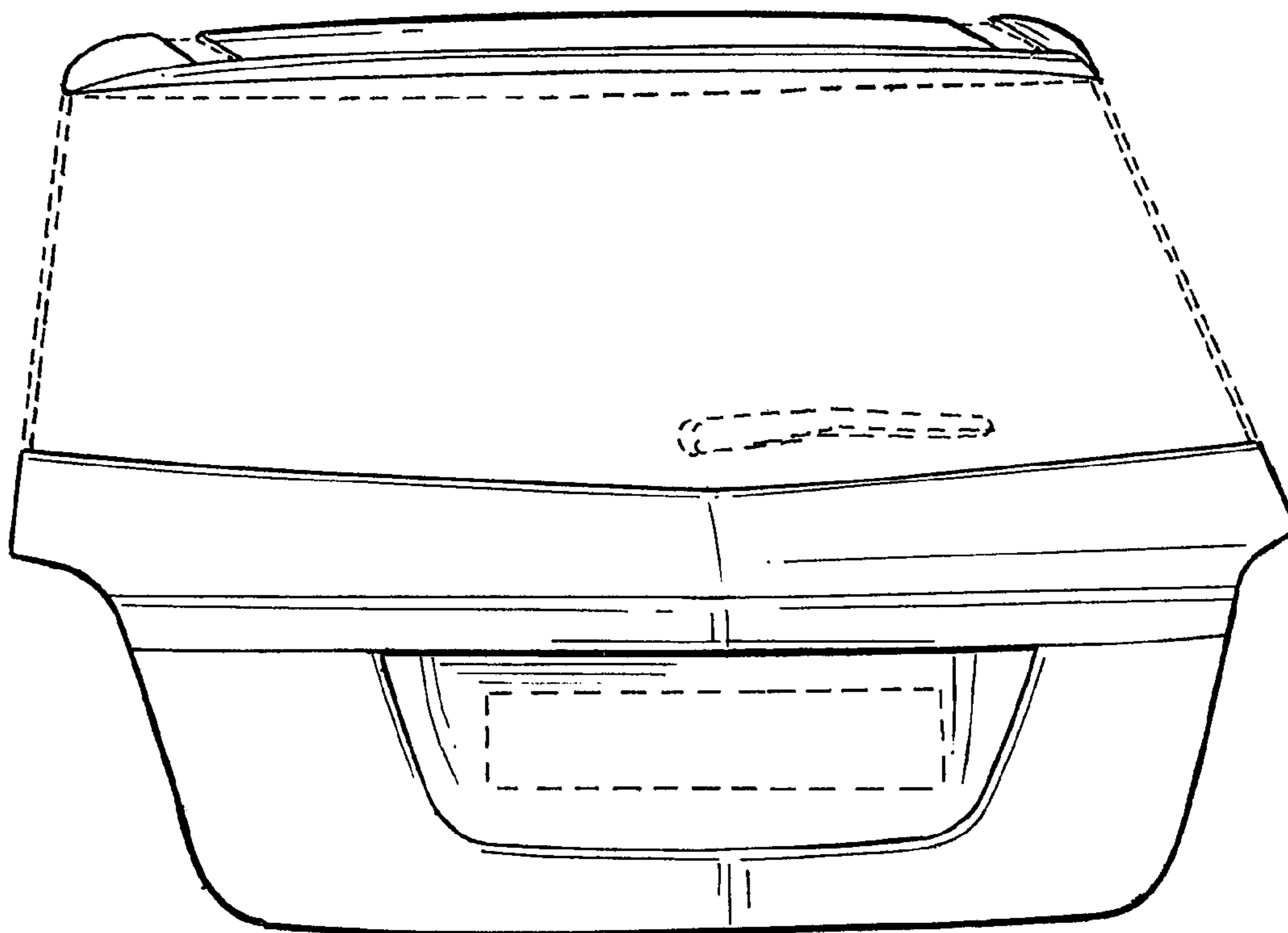
FIG. 2 is a top view thereof;

FIG. 3 is a front view thereof; and,

FIG. 4 is a left side view thereof, the right side view being mirror symmetrical.

The broken lines are for illustrative purposes only and form no part of the claimed design.

**1 Claim, 2 Drawing Sheets**



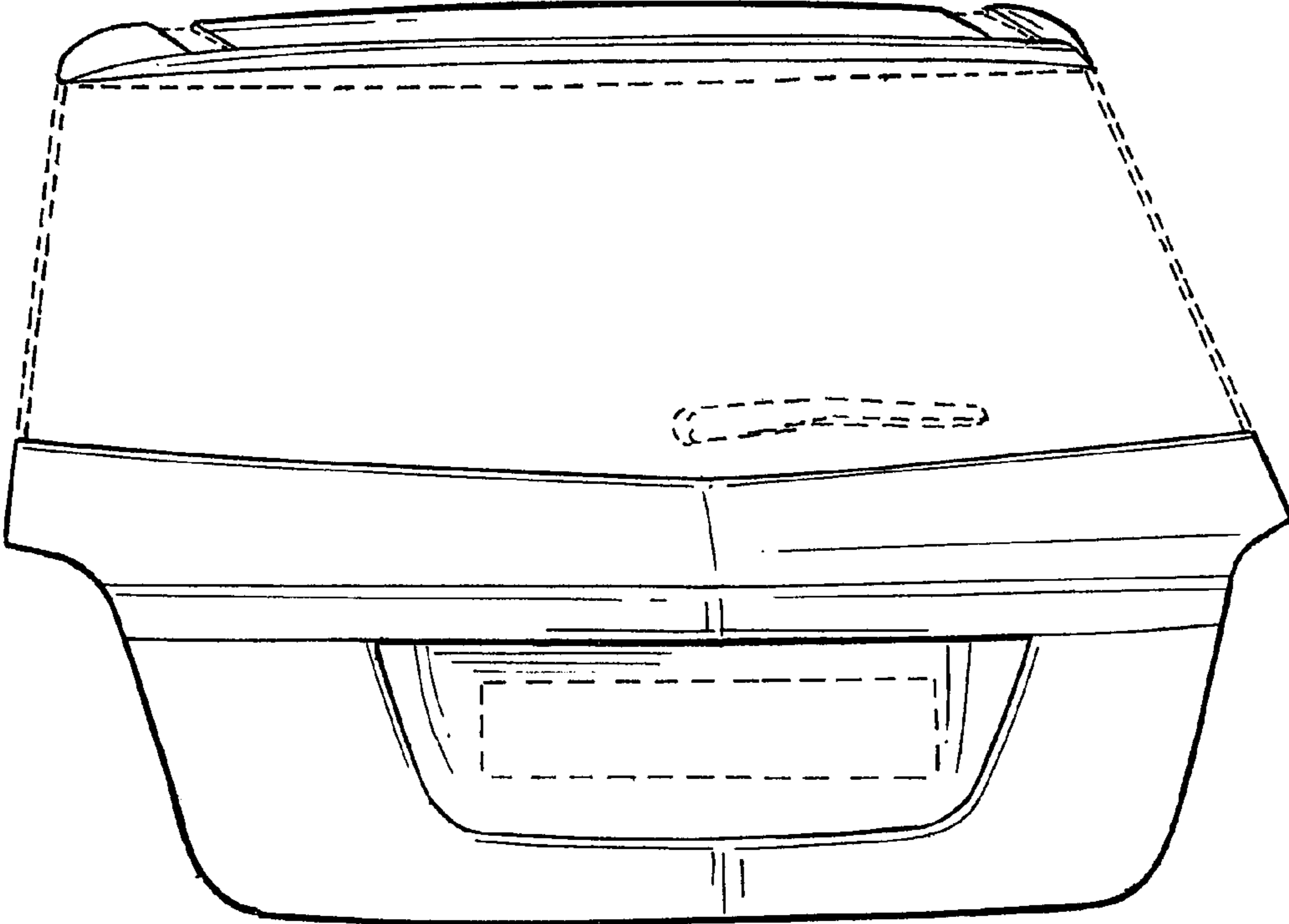


FIG. 1

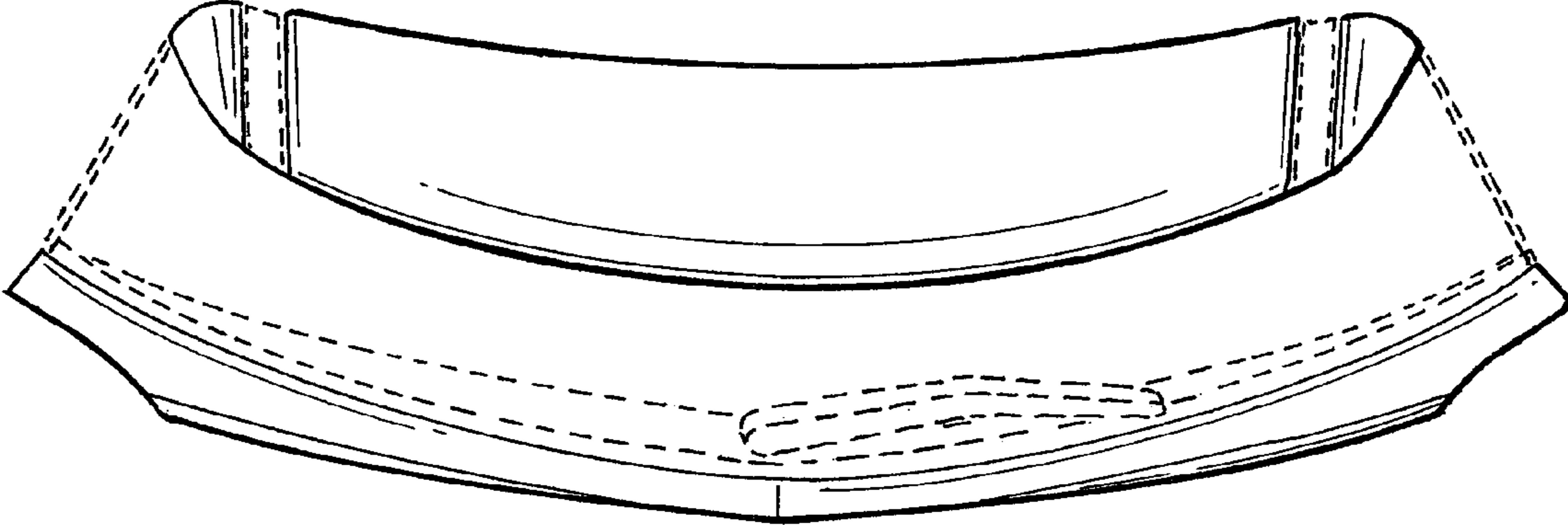


FIG. 2

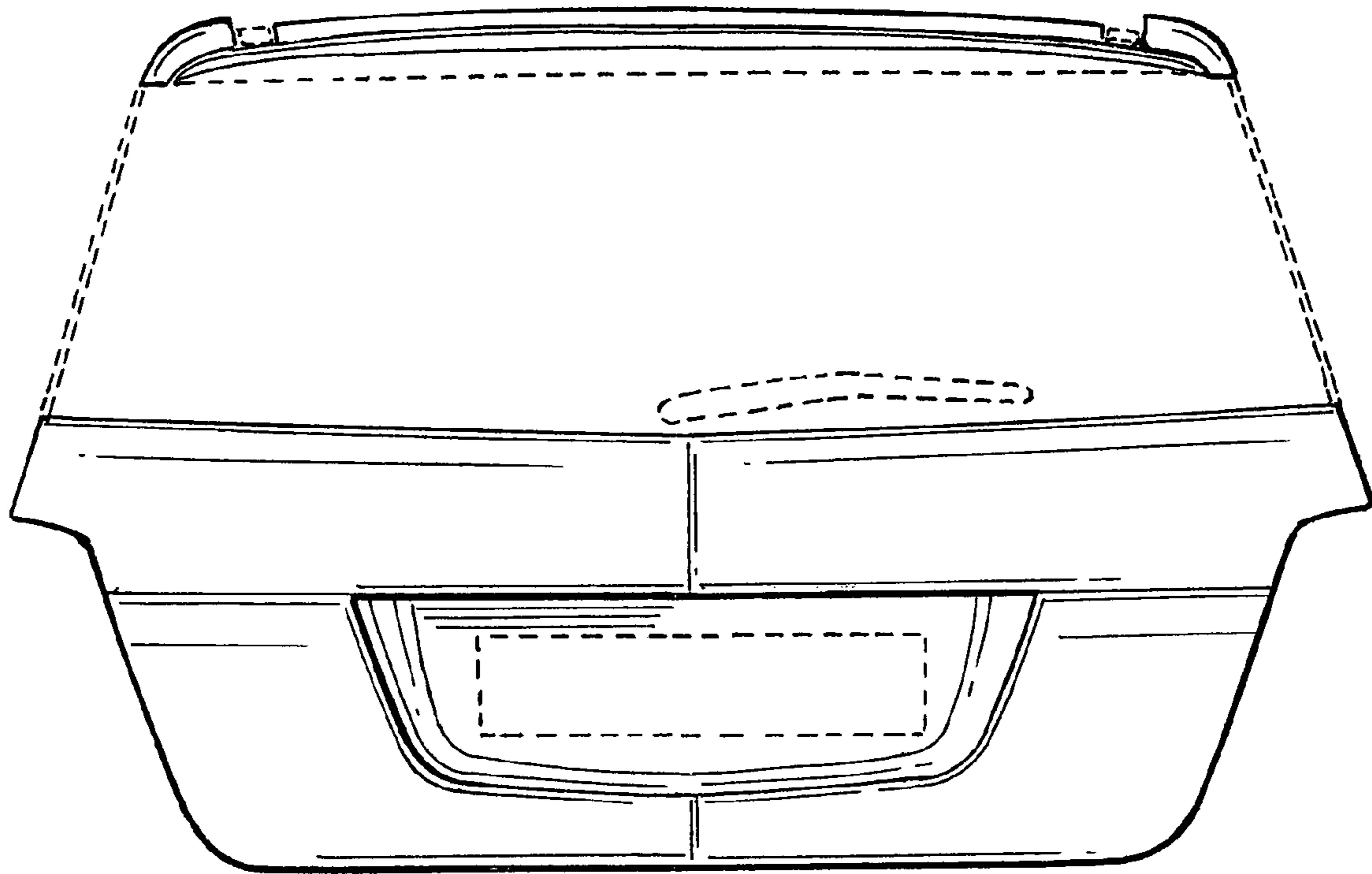


FIG. 3

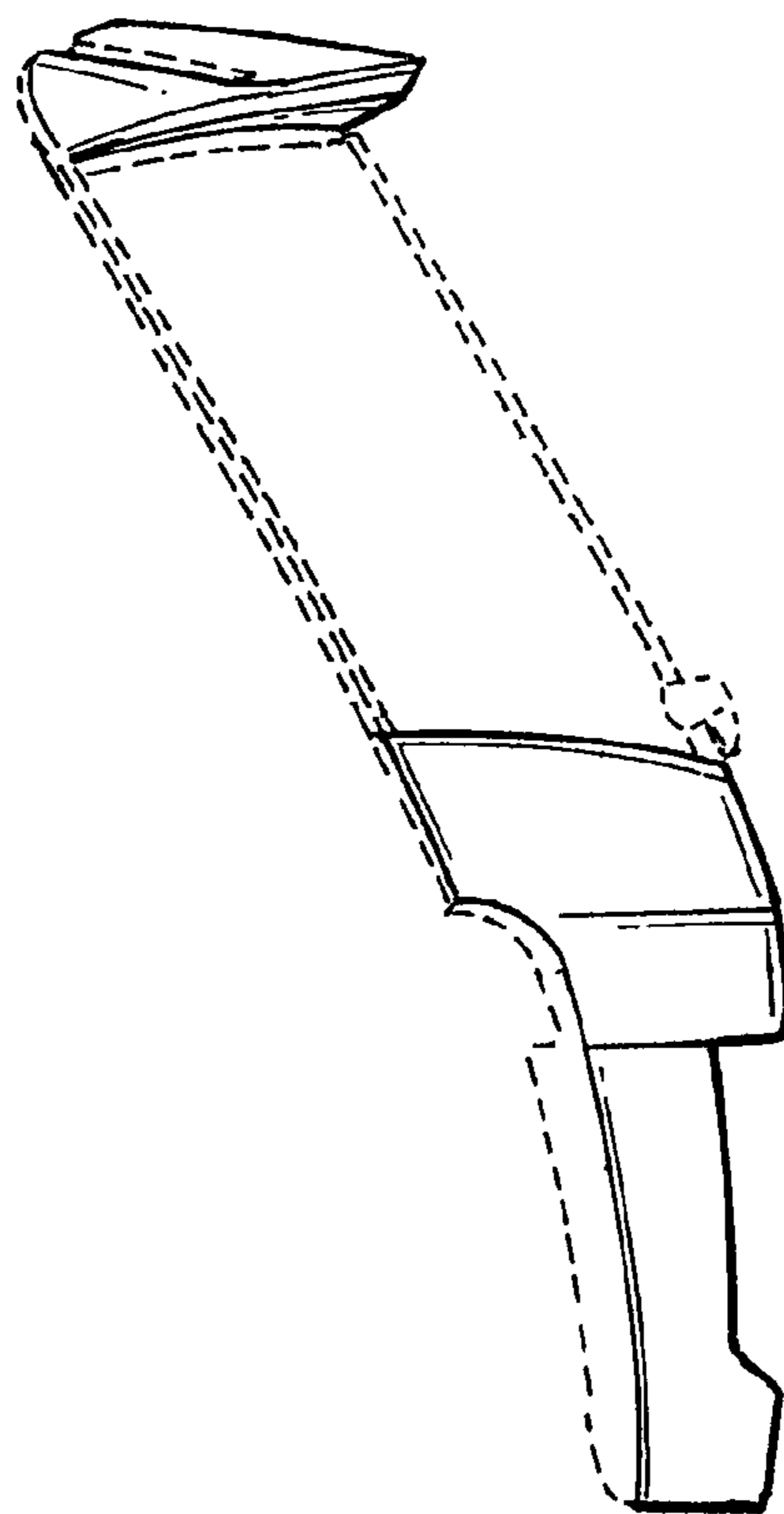


FIG. 4