



US00D564431S

(12) **United States Design Patent**
Orr

(10) **Patent No.:** **US D564,431 S**
(45) **Date of Patent:** **** Mar. 18, 2008**

(54) **FUEL TANK PLATFORM**

(75) Inventor: **Timothy Orr**, Savannah, GA (US)

(73) Assignee: **Terminal Investment Corporation**,
Savannah, GA (US)

(**) Term: **14 Years**

(21) Appl. No.: **29/271,319**

(22) Filed: **Jan. 16, 2007**

(51) **LOC (8) Cl.** **12-16**

(52) **U.S. Cl.** **D12/196**

(58) **Field of Classification Search** D12/196,
D12/190, 90-92, 96; 296/56, 57.1, 183,
296/185, 190, 196, 197, 89.11, 89.12
See application file for complete search history.

(56) **References Cited**

U.S. PATENT DOCUMENTS

D433,967 S *	11/2000	Delashaw et al.	D12/96
D437,258 S *	2/2001	Meryman et al.	D12/96
D437,570 S *	2/2001	Meryman et al.	D12/96
D491,862 S *	6/2004	Perfetti et al.	D12/196
D522,944 S *	6/2006	Beigel et al.	D12/196
D522,945 S *	6/2006	Beigel et al.	D12/196
D549,144 S *	8/2007	Elliott et al.	D12/196

* cited by examiner

Primary Examiner—Melody N. Brown

(74) *Attorney, Agent, or Firm*—Cantor Colburn LLP

(57) **CLAIM**

I claim, the ornamental design for a fuel tank platform, as shown and described.

DESCRIPTION

FIG. 1 is a perspective front view of a fuel tank platform showing our new design, the broken lines are for illustrative purposes only and form no part of the claimed design;

FIG. 2 is another perspective view of the fuel tank platform of FIG. 1;

FIG. 3 is a top plan view of the fuel tank platform of FIG. 1;

FIG. 4 is a front elevation view of the fuel tank platform of FIG. 1;

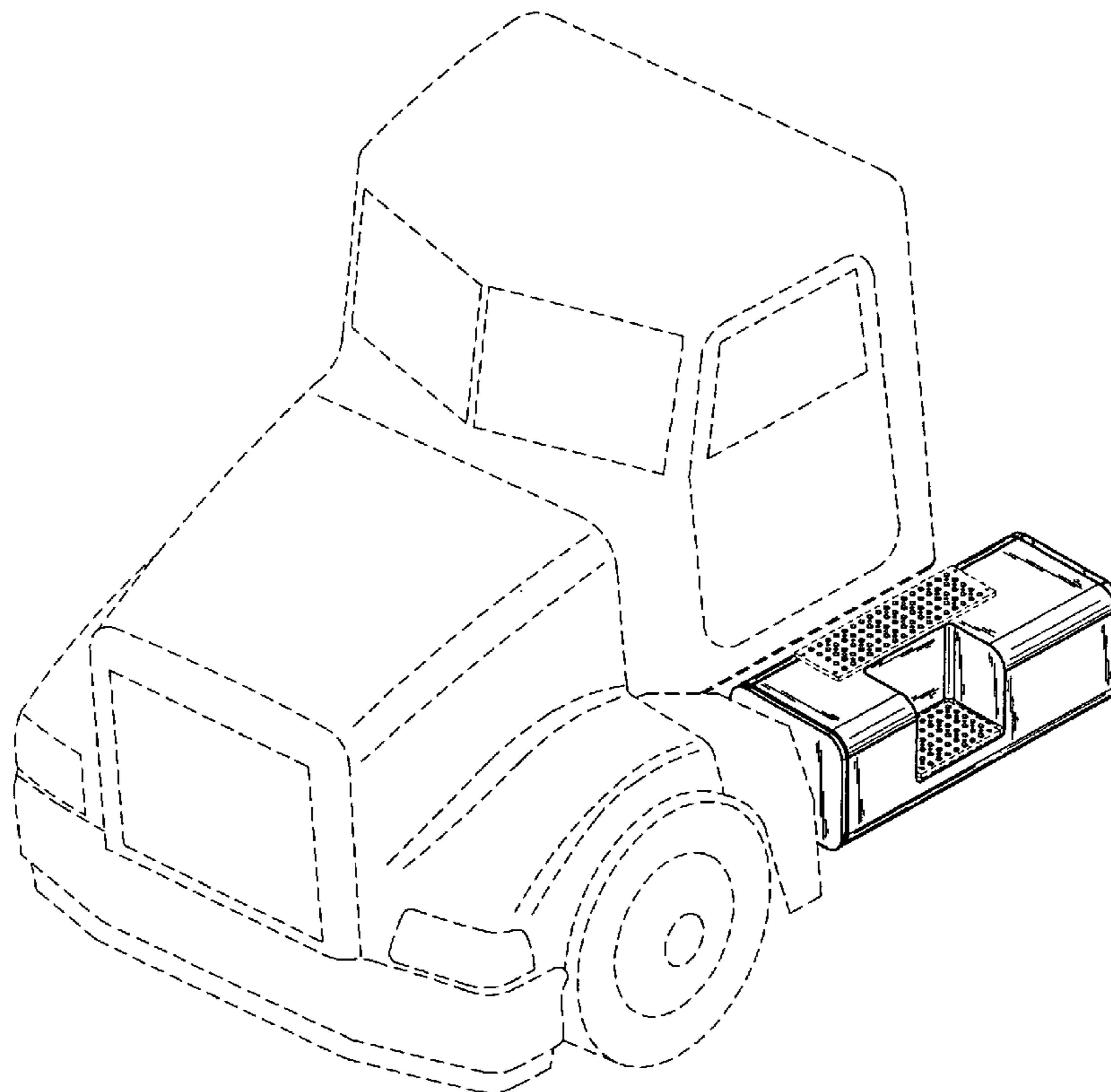
FIG. 5 is a rear elevation view of the fuel tank platform of FIG. 1;

FIG. 6 is a bottom plan view of the fuel tank platform of FIG. 1;

FIG. 7 is a left side elevation view of the fuel tank platform of FIG. 1; and,

FIG. 8 is a right side elevation view of the fuel tank platform of FIG. 1.

1 Claim, 4 Drawing Sheets



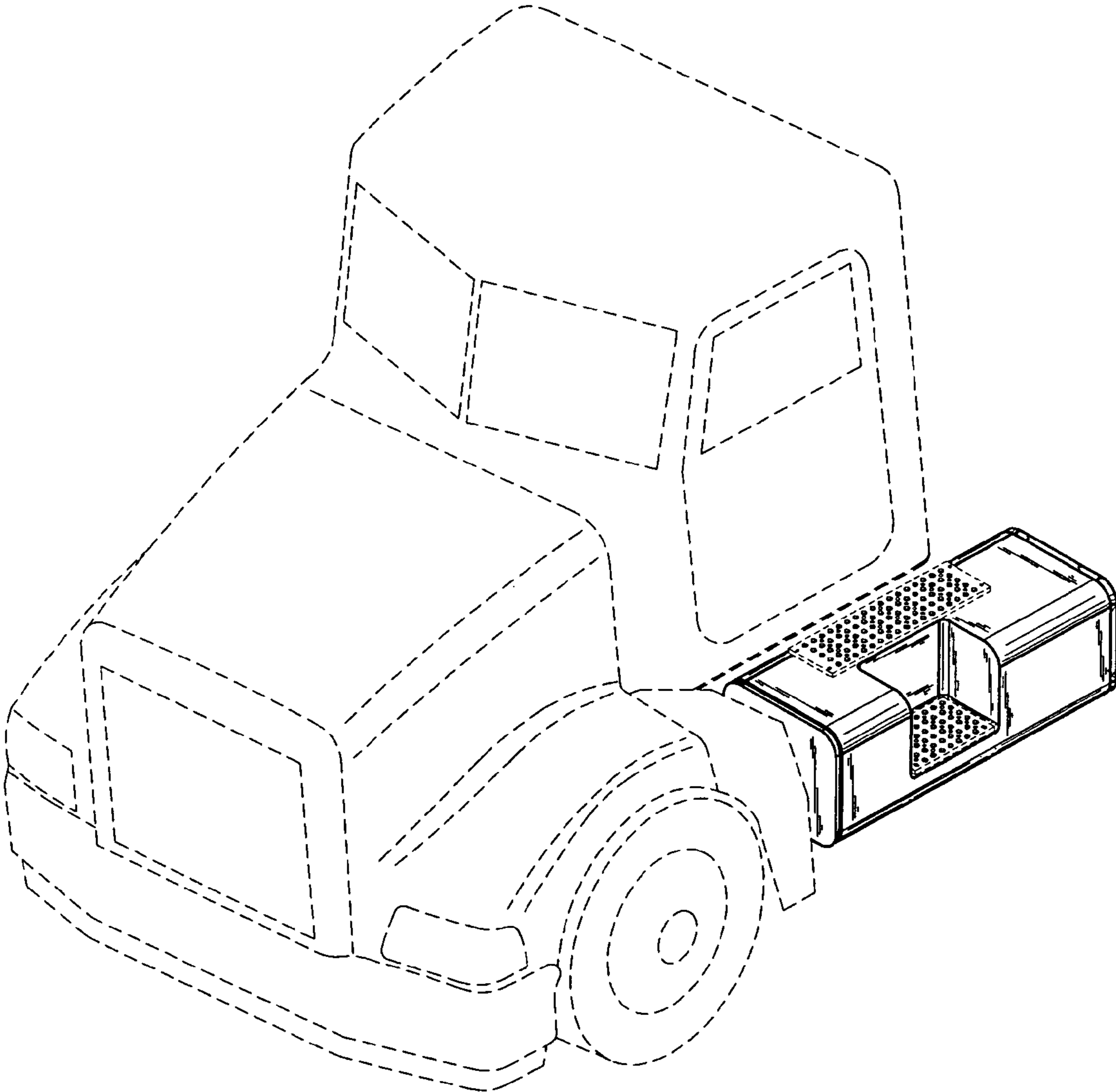


FIG. 1

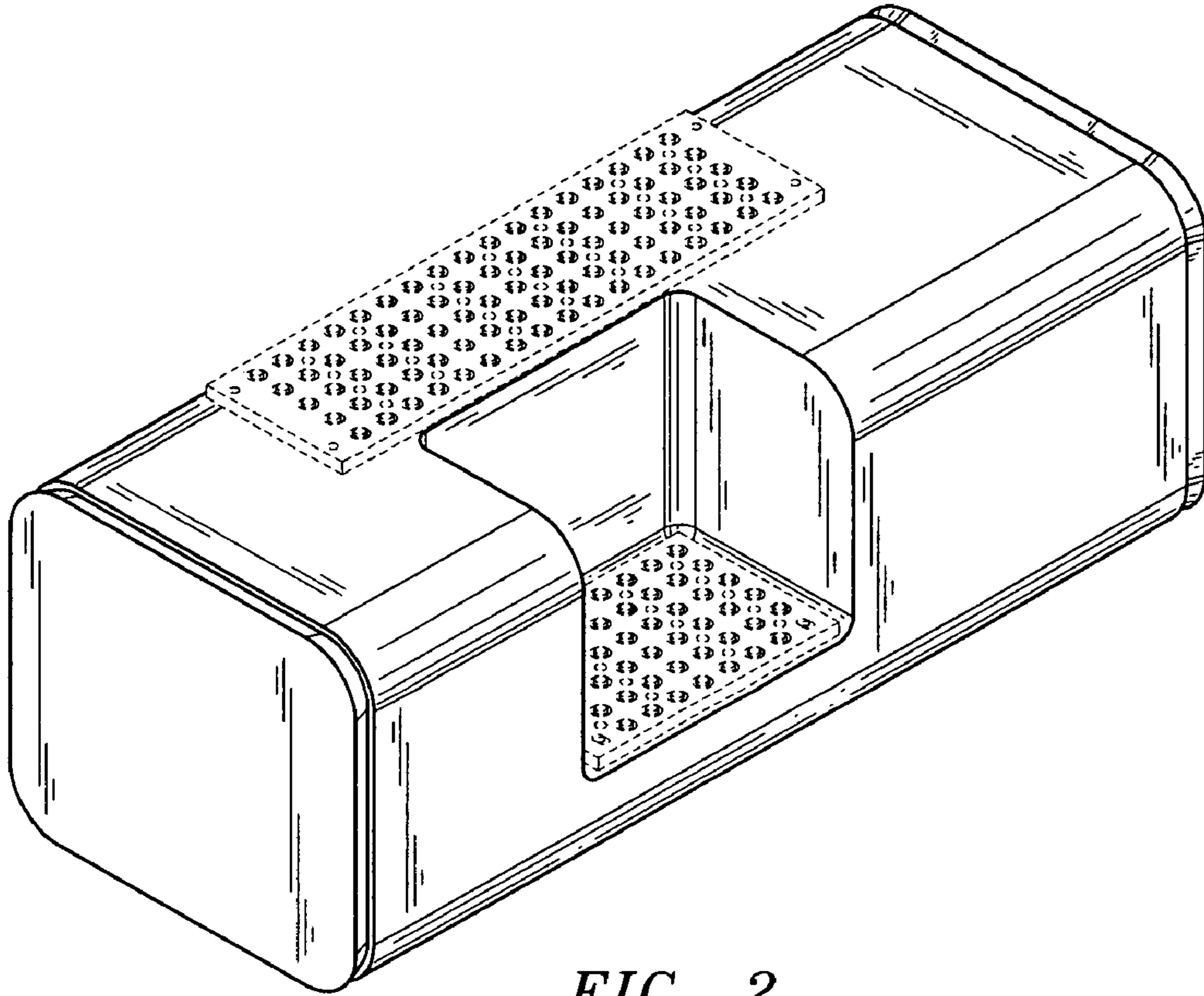


FIG. 2

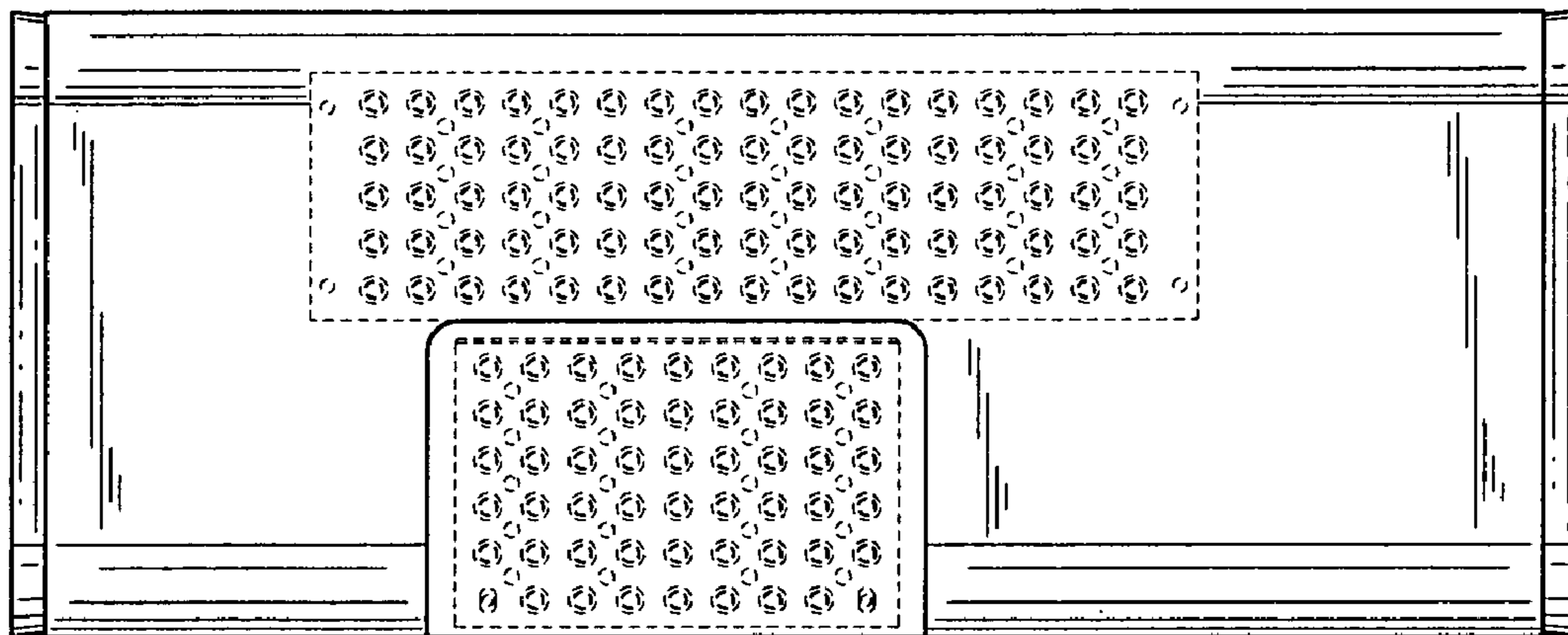


FIG. 3

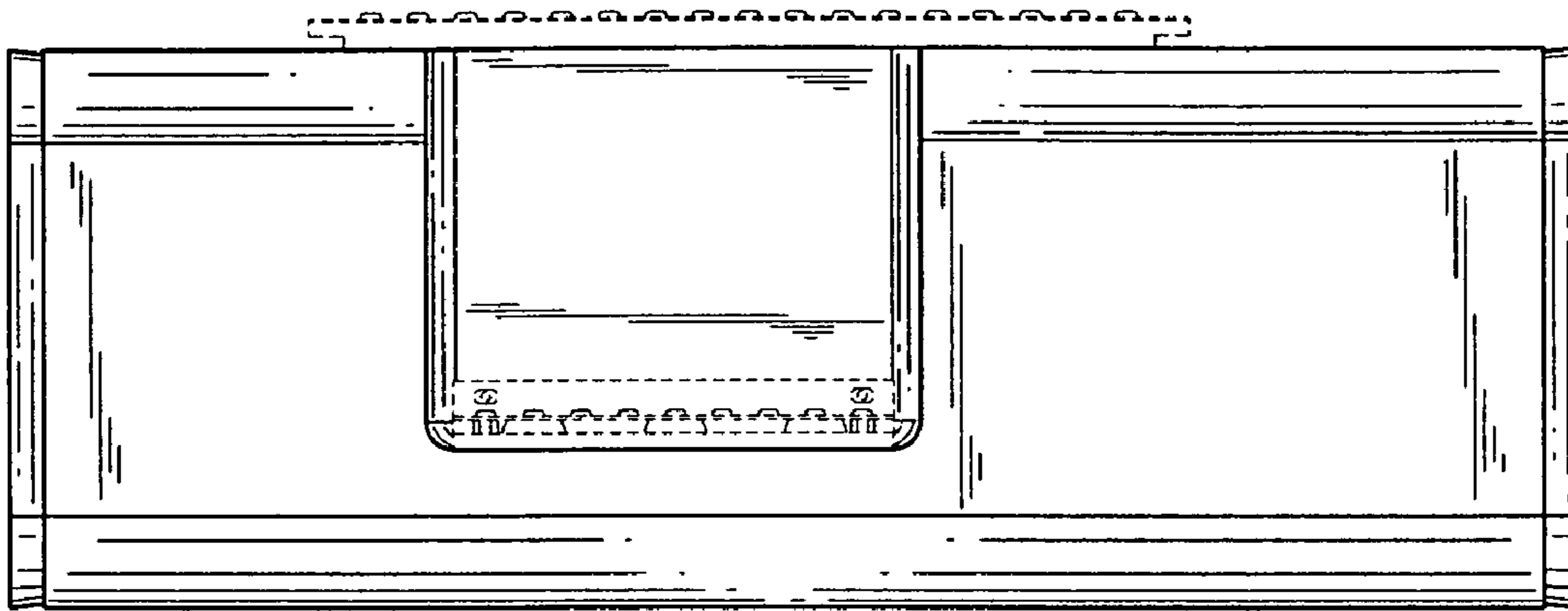


FIG. 4



FIG. 5

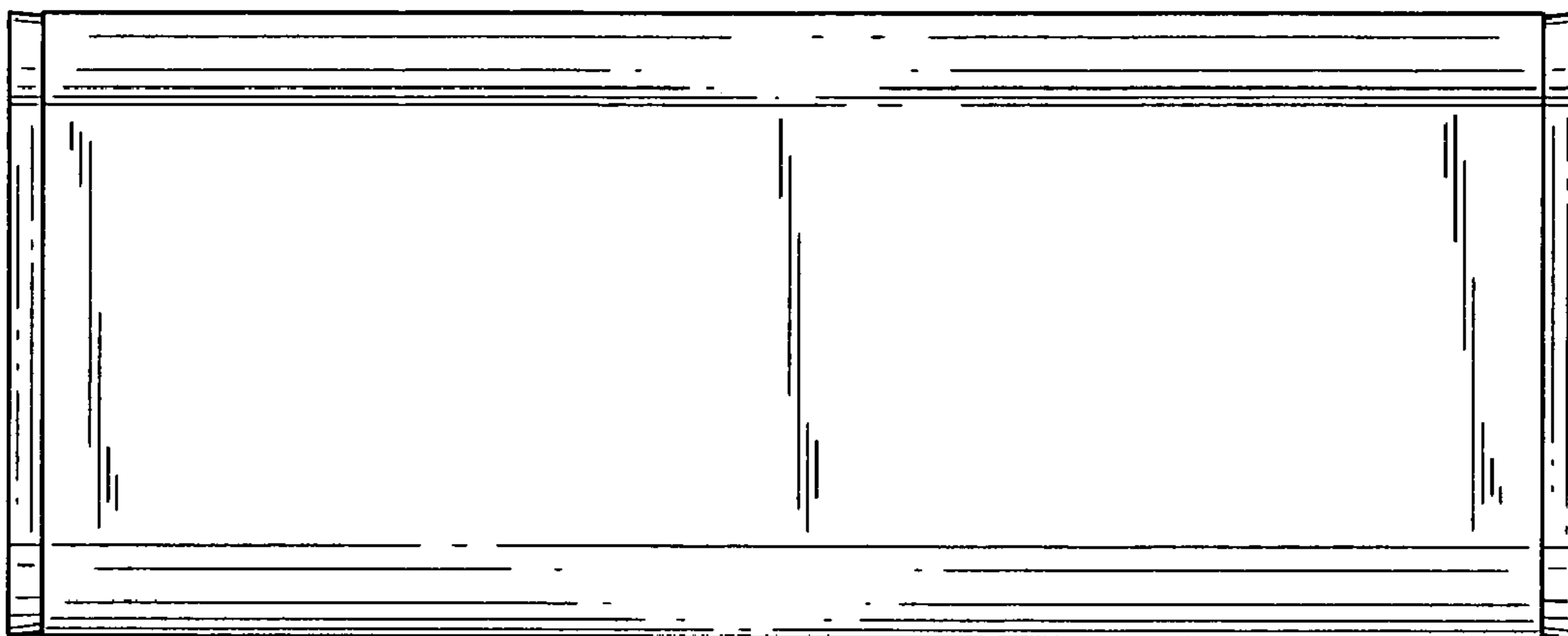


FIG. 6

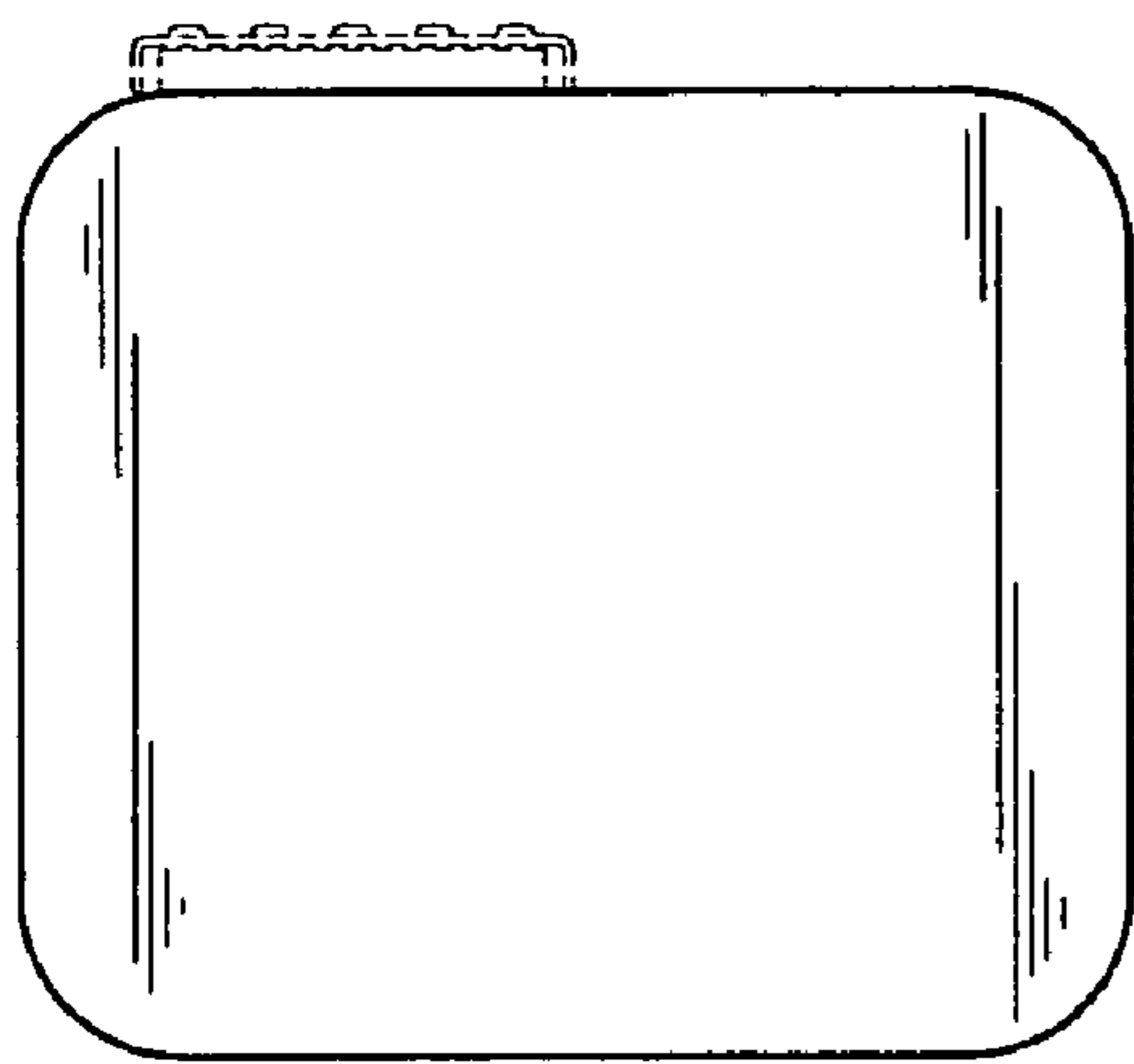


FIG. 7

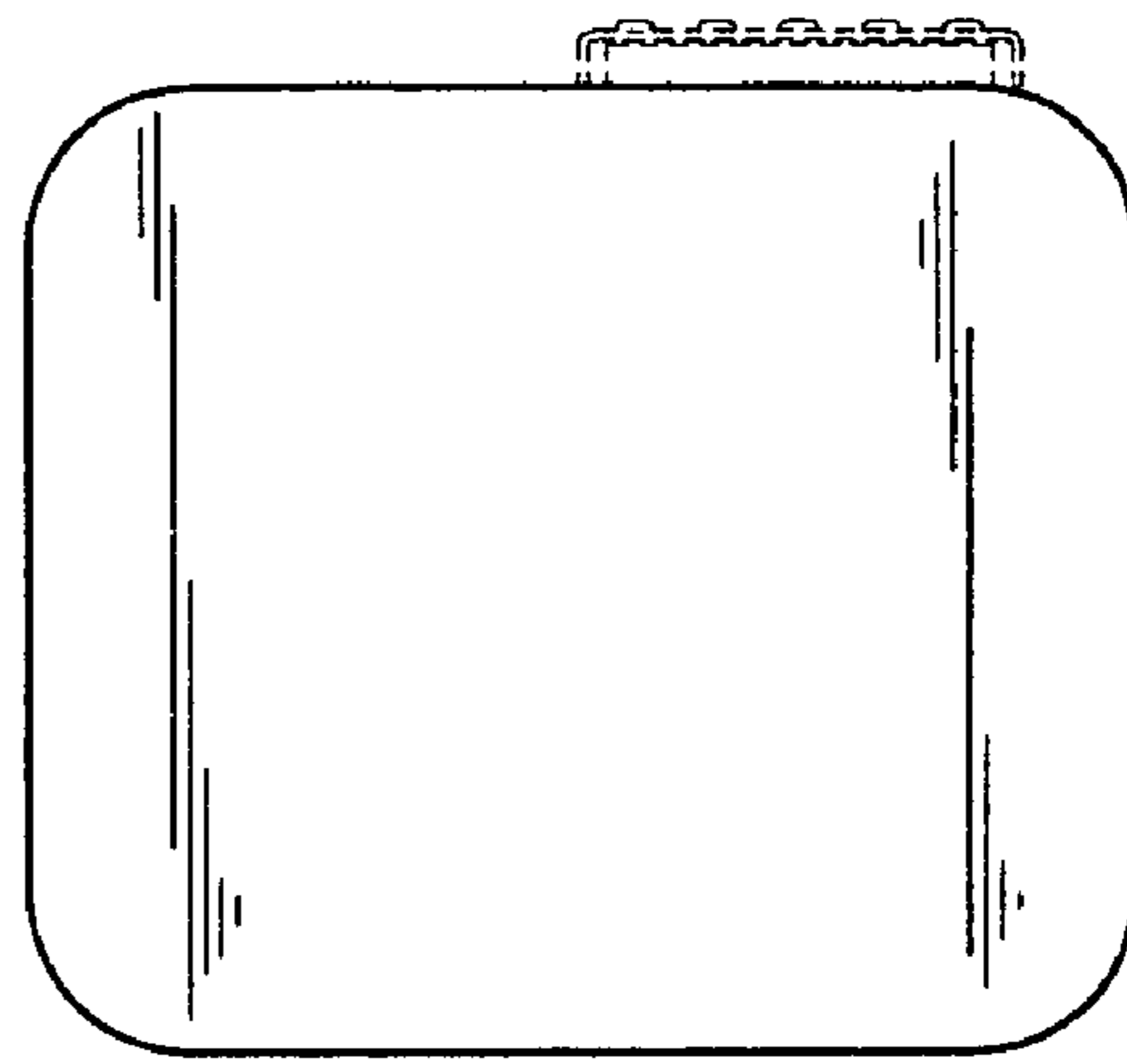


FIG. 8