



US00D564428S

(12) **United States Design Patent**
Tabrizi et al.

(10) **Patent No.:** **US D564,428 S**

(45) **Date of Patent:** **** Mar. 18, 2008**

(54) **VEHICLE SIDE MIRROR**

(76) Inventors: **Hossein E. Tabrizi**, 835 Amigos Way,
#1, Newport Beach, CA (US) 92660;
Alex Tabrizi, 17 Calle Vista Del Sol,
San Clemente, CA (US) 92673

(**) Term: **14 Years**

(21) Appl. No.: **29/260,691**

(22) Filed: **May 31, 2006**

(51) **LOC (8) Cl.** **12-16**

(52) **U.S. Cl.** **D12/187**

(58) **Field of Classification Search** D12/187-189;
359/838-851, 855-868, 871-881, 605; 248/475.1,
248/476, 480-481, 485-487
See application file for complete search history.

(56) **References Cited**

U.S. PATENT DOCUMENTS

D219,336 S *	12/1970	Monos	D12/187
4,031,772 A *	6/1977	DeCatri	359/605
D255,792 S *	7/1980	Harrison	D12/187
D284,367 S *	6/1986	Kilston	D12/187
D353,125 S *	12/1994	Mingledorff	D12/187
5,563,744 A *	10/1996	Matsumiya	359/855
D402,604 S *	12/1998	Morris	D12/187
D440,922 S *	4/2001	Evers	D12/187

D450,022 S *	11/2001	Nagayama	D12/187
D455,689 S *	4/2002	Englander	D12/187
D460,934 S *	7/2002	Richardson	D12/187
D517,464 S *	3/2006	McCutcheon et al.	D12/187
D519,070 S *	4/2006	Tillmon	D12/187

* cited by examiner

Primary Examiner—Stacia Cadmus

(57) **CLAIM**

The ornamental design for a vehicle side mirror, as shown and described.

DESCRIPTION

FIG. 1 is a side perspective view of a vehicle side mirror showing our new design;

FIG. 2 is a top plan view thereof;

FIG. 3 is a right side elevation view thereof;

FIG. 4 is a front elevation view thereof;

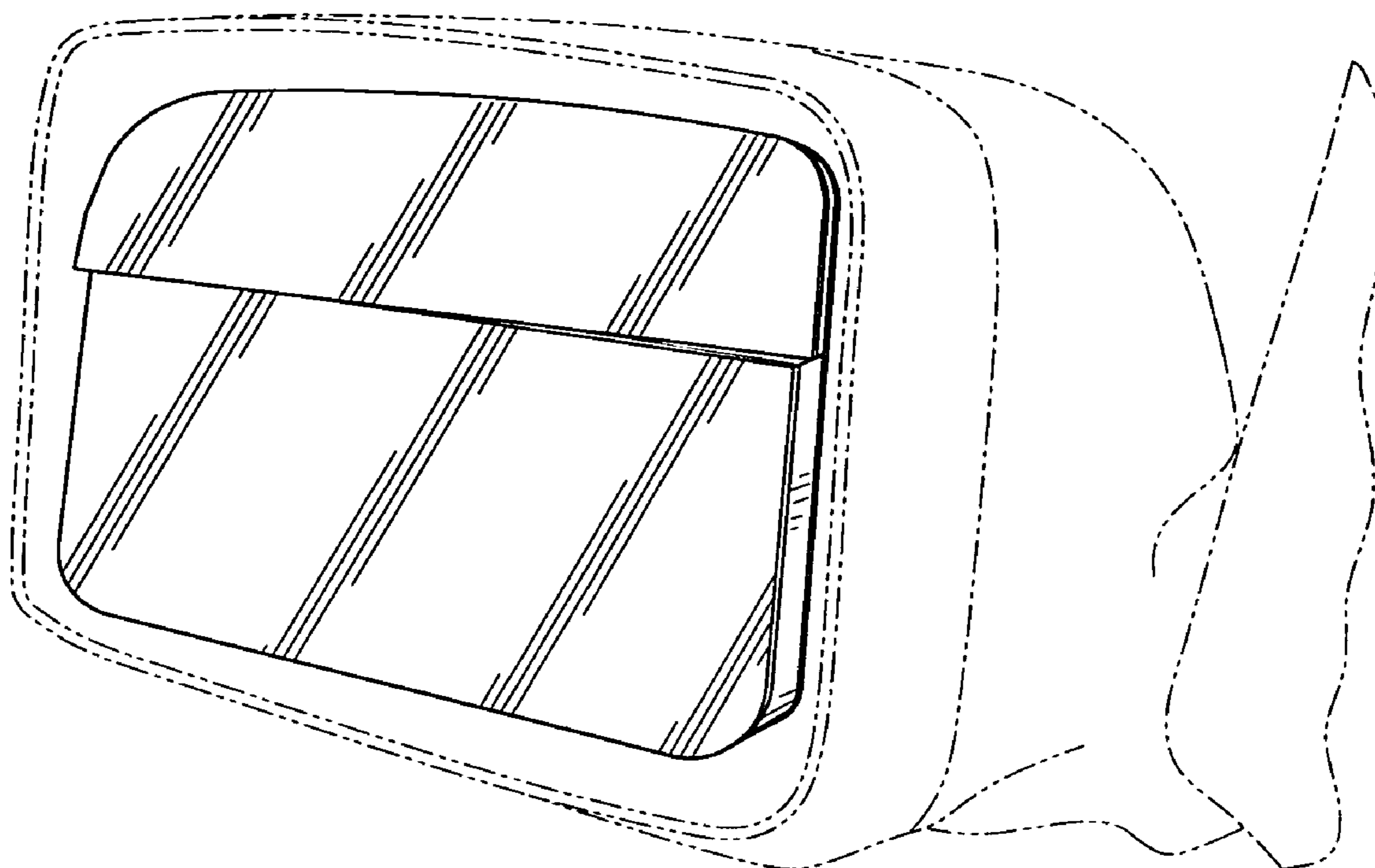
FIG. 5 is a left side elevation view thereof;

FIG. 6 is a bottom plan view thereof; and,

FIG. 7 is a rear elevation view thereof.

The broken lines shown in FIG. 1 and FIG. 7 are for illustrative purposes only and form no part of the claimed design.

1 Claim, 2 Drawing Sheets



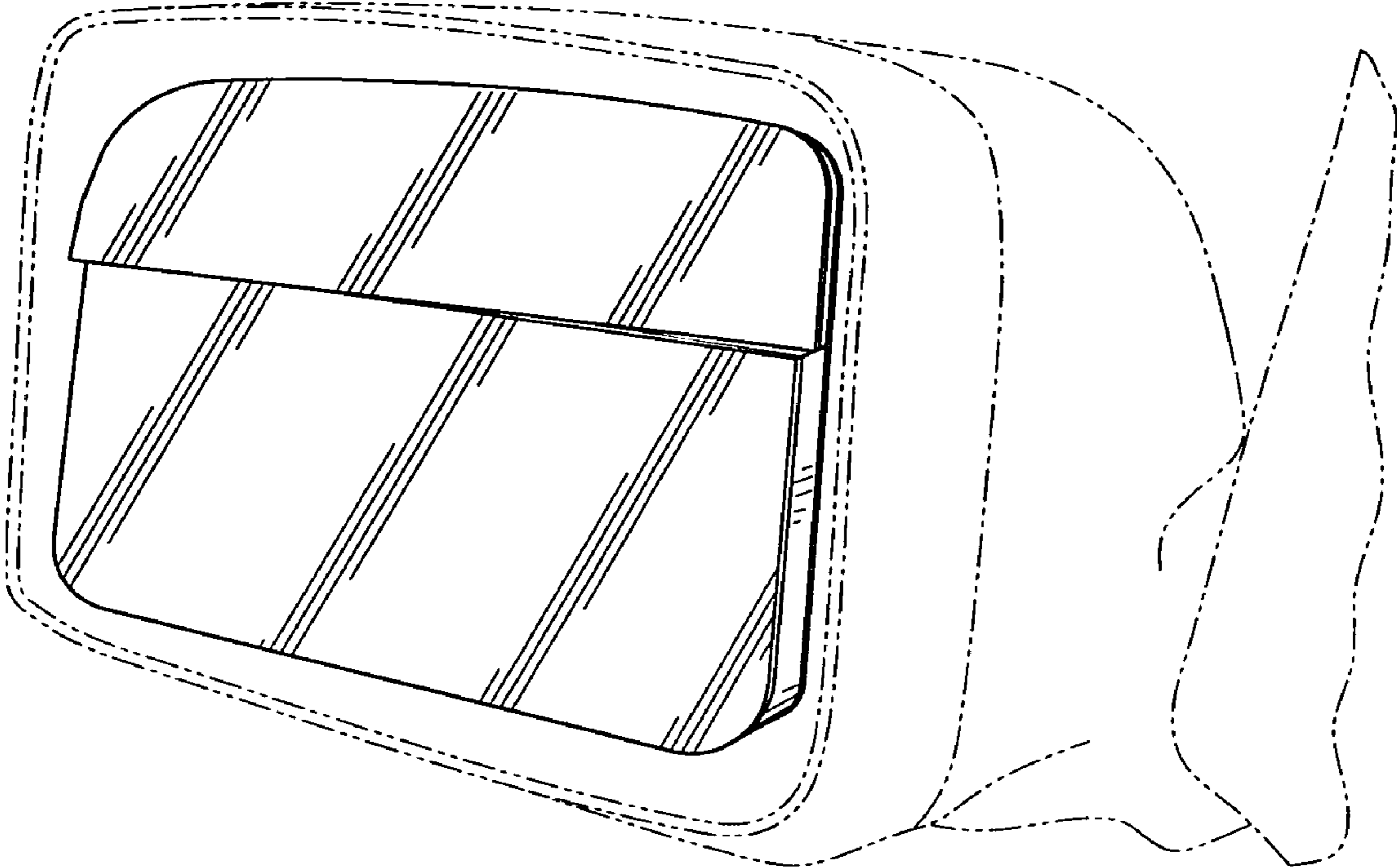


Fig. 1

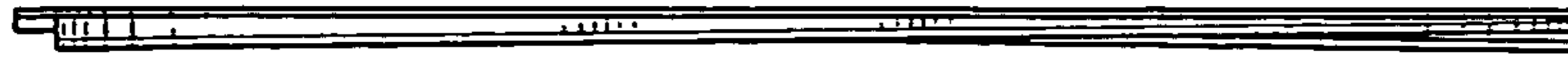


Fig. 2



Fig. 3

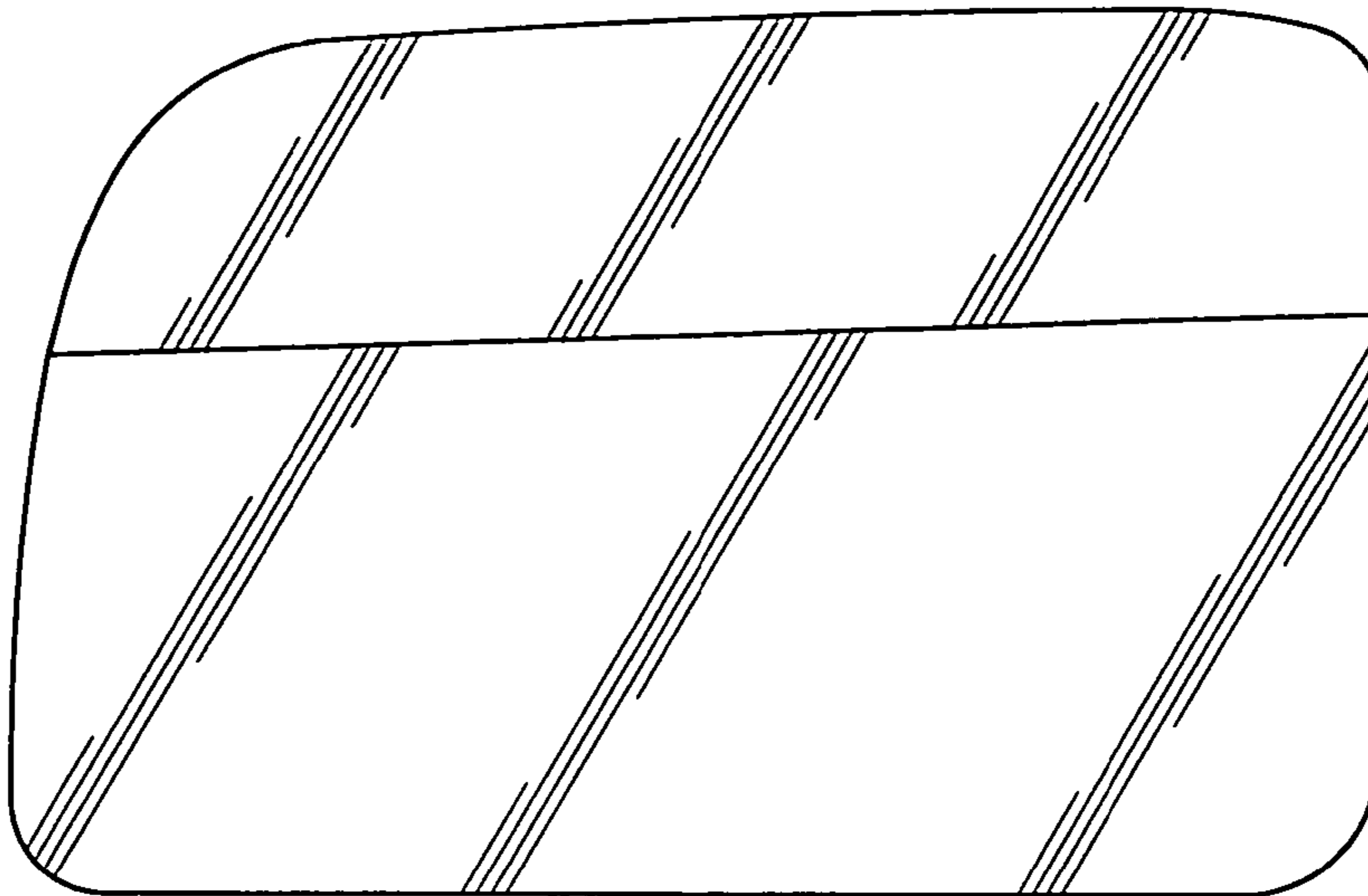


Fig. 4



Fig. 5

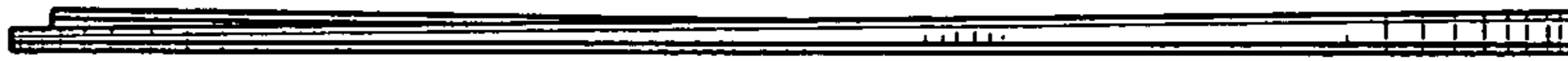


Fig. 6

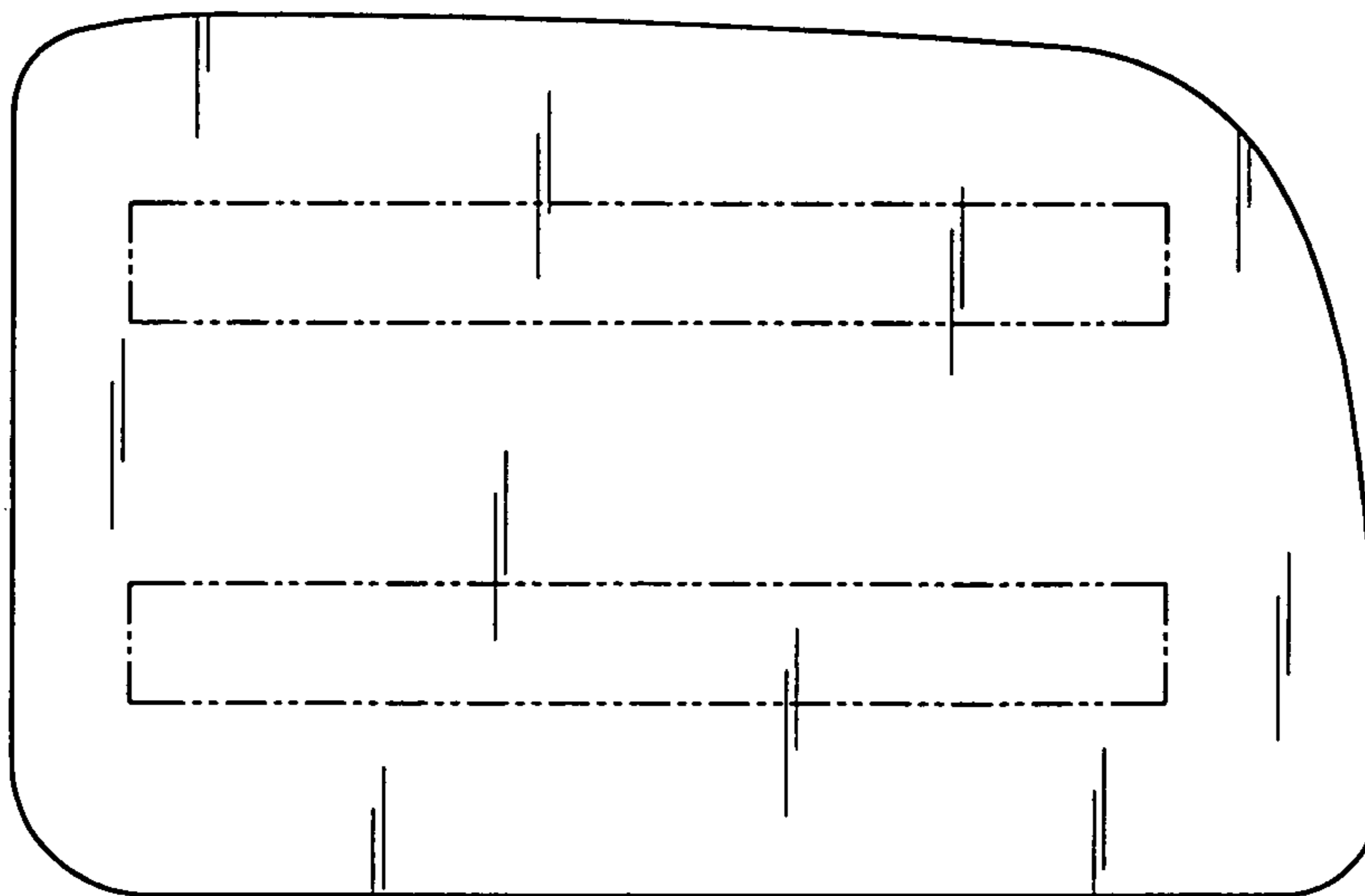


Fig. 7