



US00D564427S

(12) **United States Design Patent** (10) **Patent No.:** **US D564,427 S**
Beigel et al. (45) **Date of Patent:** **** Mar. 18, 2008**

(54) **HOOD SIDE OF A TRUCK VEHICLE**

(75) Inventors: **David J. Beigel**, Payne, OH (US); **L. David Allendorph**, Fort Wayne, IN (US); **Robert S. Tirey**, Fort Wayne, IN (US); **Marcey K. Collins**, Fort Wayne, IN (US); **Franz Mueller**, Fort Wayne, IN (US)

D466,450 S 12/2002 Maher et al.
D523,793 S 6/2006 Beigel et al.
D532,350 S * 11/2006 Angelo et al. D12/173
D532,352 S * 11/2006 Angelo et al. D12/184
D545,254 S * 6/2007 Angelo et al. D12/184
D548,661 S * 8/2007 Hanson et al. D12/196
D557,644 S * 12/2007 Lamarre D12/181

* cited by examiner

(73) Assignee: **International Truck and Engine Corporation Canada**, Warrenville, IL (US)

Primary Examiner—Melody N. Brown
(74) *Attorney, Agent, or Firm*—Gerald W. Askew; Jeffrey P. Calfa

(**) Term: **14 Years**

(57) **CLAIM**

(21) Appl. No.: **29/267,892**

The ornamental design for a hood side of a truck vehicle, as shown and described.

(22) Filed: **Oct. 24, 2006**

DESCRIPTION

(51) **LOC (8) Cl.** **12-16**
(52) **U.S. Cl.** **D12/184; D12/173**
(58) **Field of Classification Search** D12/173,
D12/96, 97, 184; 180/69.2, 89.12, 89.13,
180/89.67, 89.7; 296/184.1
See application file for complete search history.

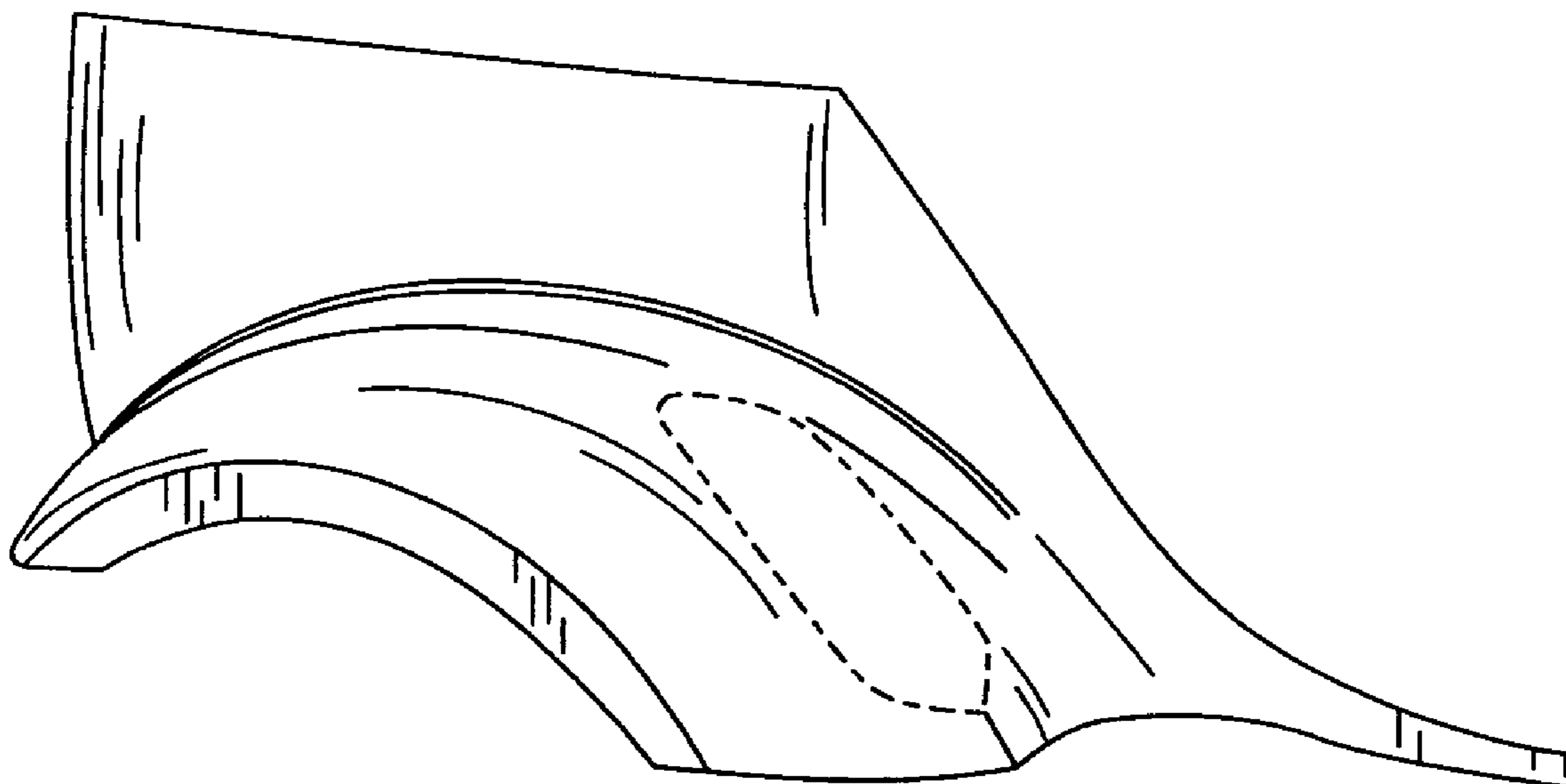
FIG. 1 is a right, front perspective view of a right side of a hood side of a truck vehicle showing our new design;
FIG. 2 is a left side elevation view of a left side of a hood side of a truck vehicle showing our new design;
FIG. 3 is a right side elevation view of a right side of a hood side of a truck vehicle showing our new design;
FIG. 4 is a front elevation view of both a right and a left side of a hood side of a truck vehicle showing our new design; and,
FIG. 5 is a top plan view of both a right and a left side of a hood side of a truck vehicle showing our new design.

(56) **References Cited**

U.S. PATENT DOCUMENTS

D403,637 S 1/1999 Abalos et al.
D426,800 S 6/2000 Zimmerman
D437,574 S 2/2001 Beigel
D445,384 S 7/2001 Tirey et al.
D458,197 S 6/2002 Maher et al.

1 Claim, 2 Drawing Sheets



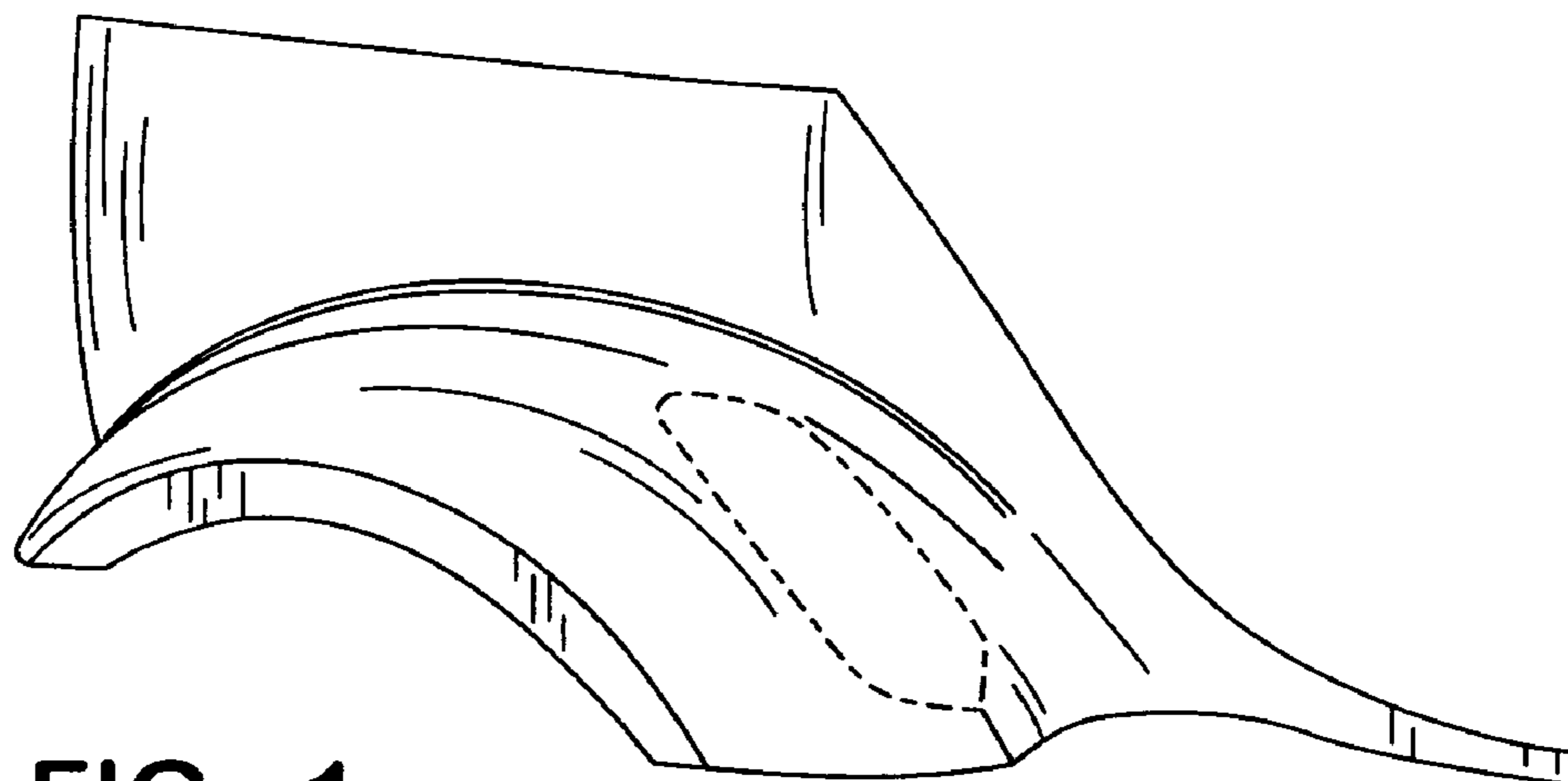


FIG. 1

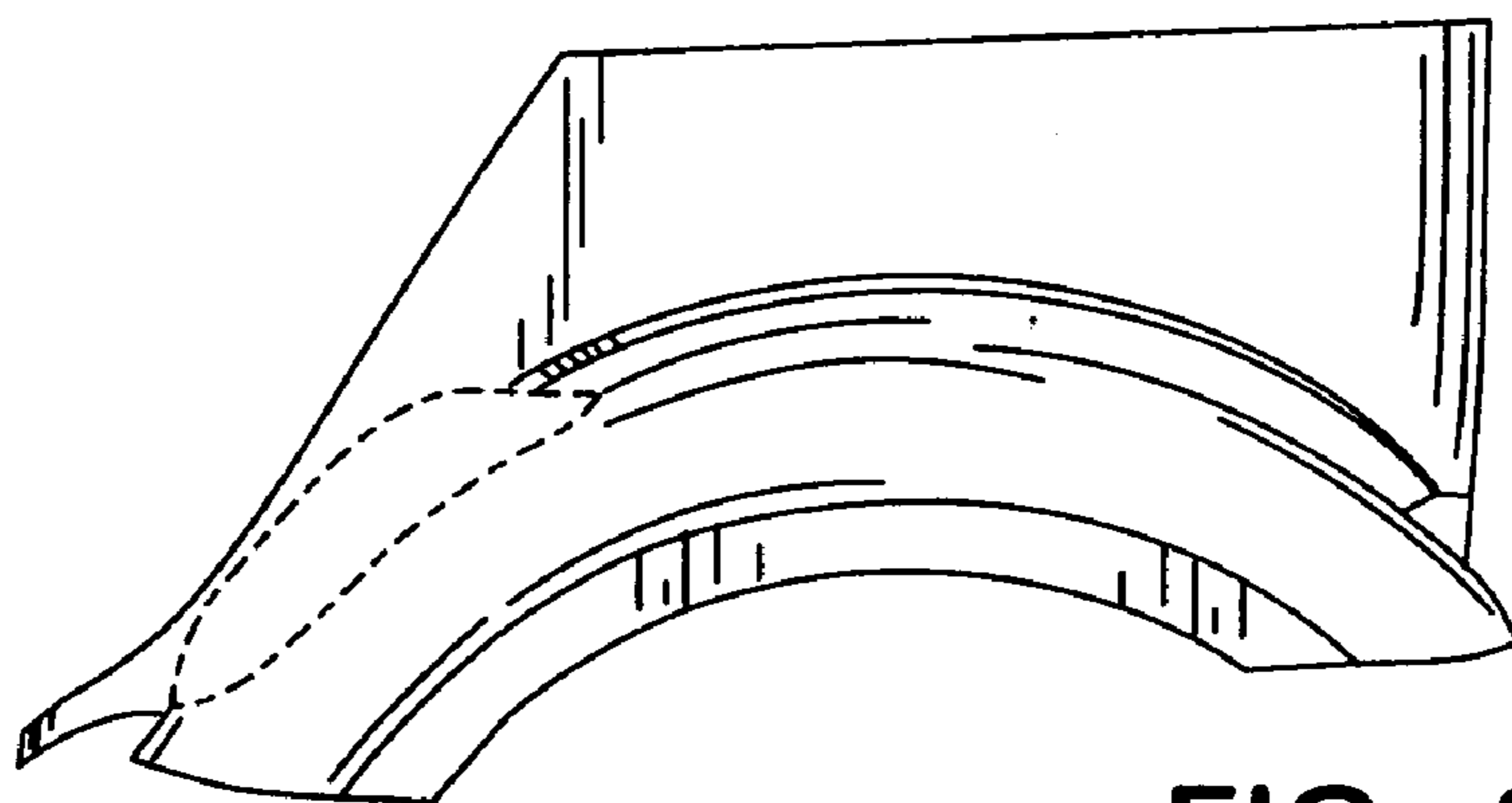


FIG. 2

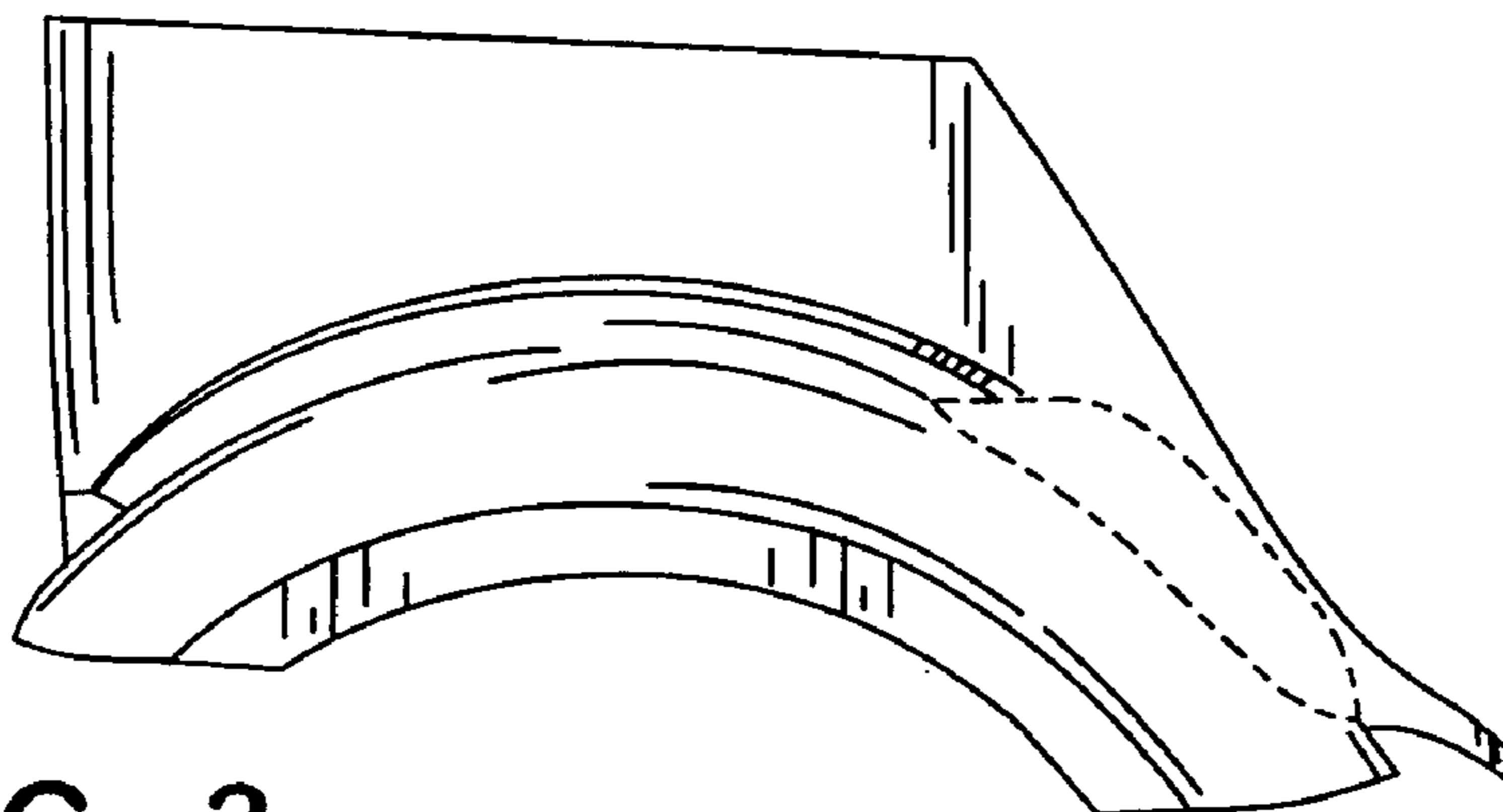


FIG. 3

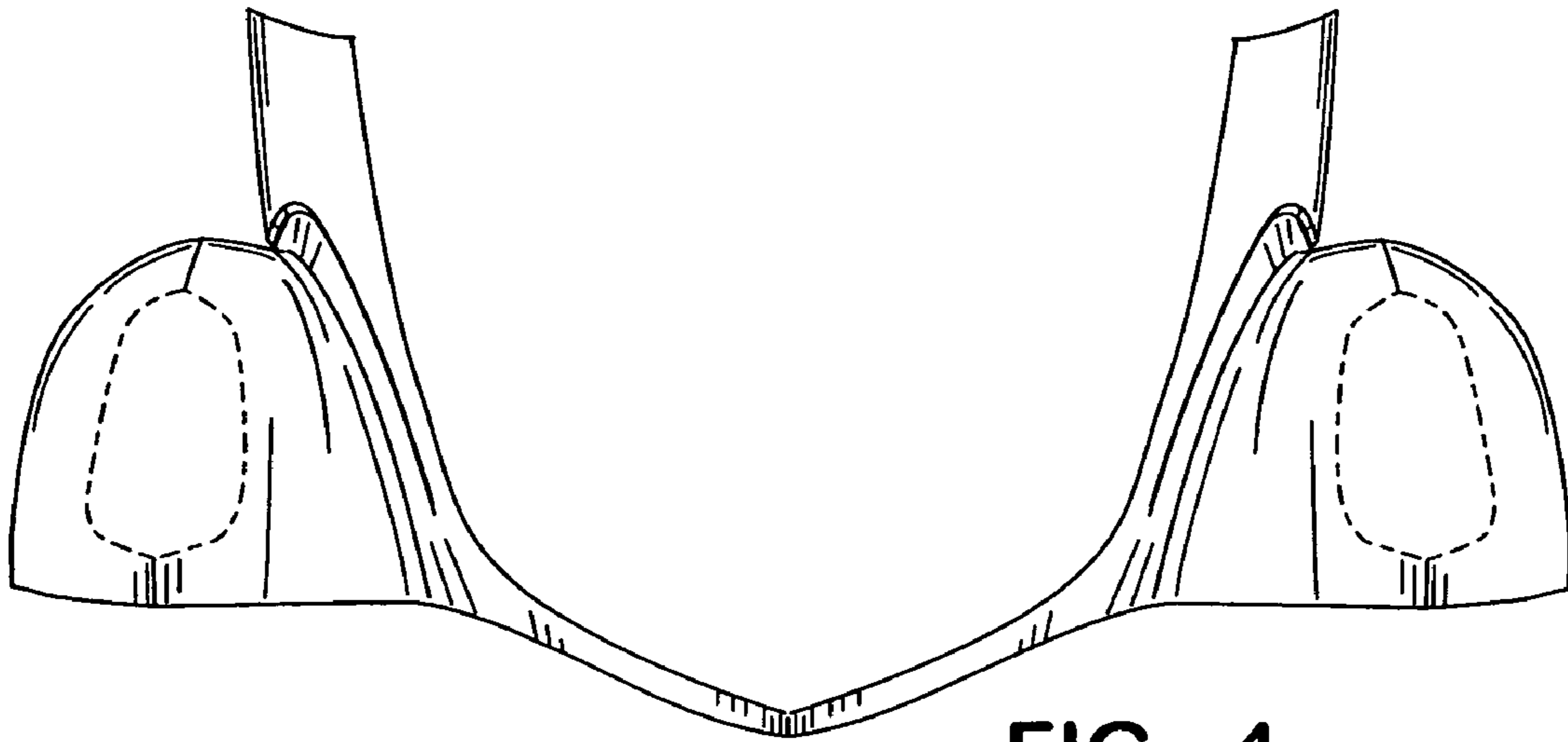


FIG. 4

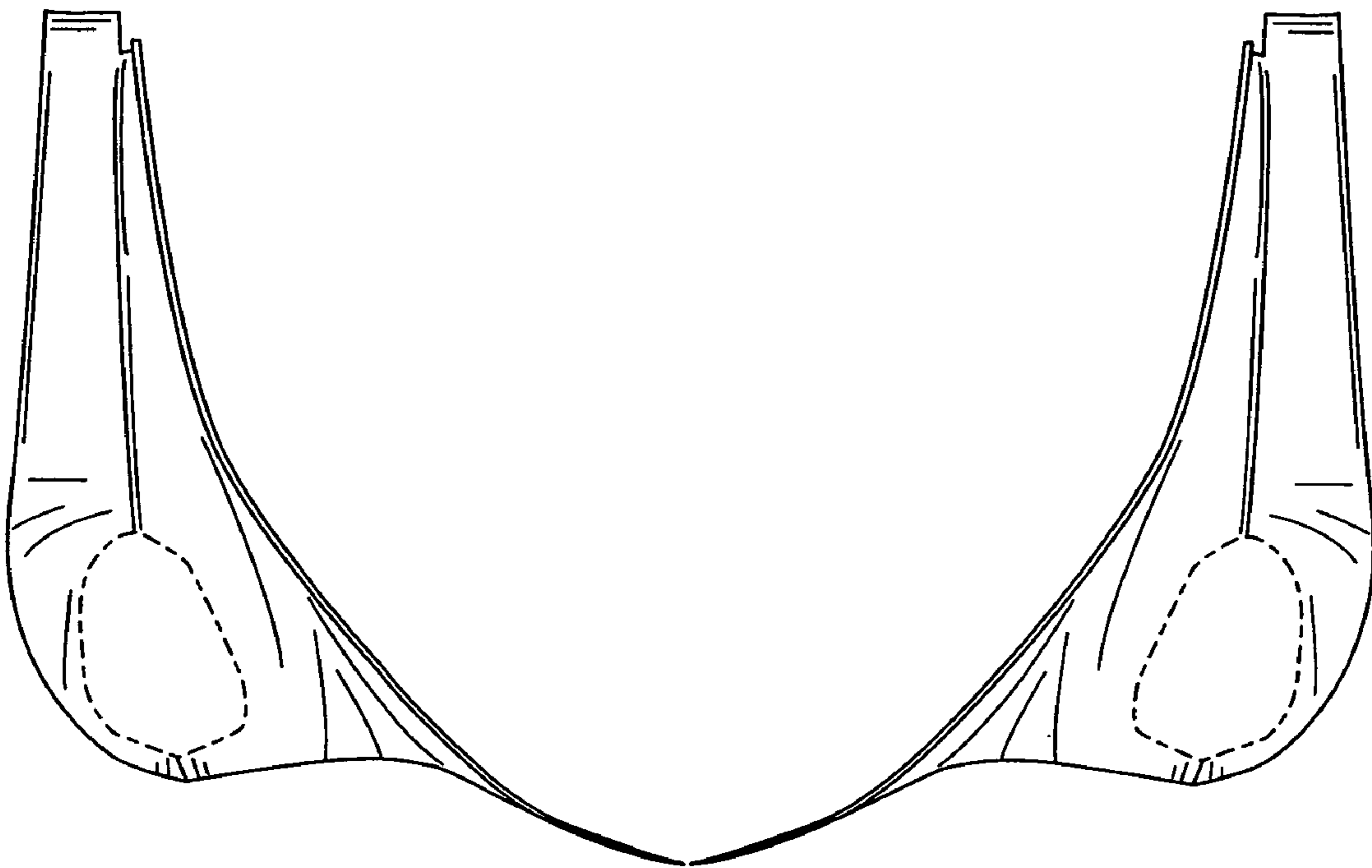


FIG. 5