

US00D564424S

(12) **United States Design Patent**
Nakajima

(10) **Patent No.:** **US D564,424 S**
(45) **Date of Patent:** **** Mar. 18, 2008**

(54) **REAR BUMPER FOR AN AUTOMOBILE**

D551,601 S * 9/2007 Tabata et al. D12/169

(75) Inventor: **Yoshiharu Nakajima**, Toyota (JP)

OTHER PUBLICATIONS

(73) Assignee: **Toyota Jidosha Kabushiki Kaisha** (JP)

Mazda, Axela Sport, Brochure of Axela Sport, Apr. 2005, Mazda Motor Corporation.

(**) Term: **14 Years**

Toyota, Harrier, All About Harrier, Feb. 17, 1998, Sanei-Shobo Publishing Co., Ltd.

(21) Appl. No.: **29/273,801**

* cited by examiner

(22) Filed: **Mar. 13, 2007**

Primary Examiner—Melody N. Brown

(30) **Foreign Application Priority Data**

(74) *Attorney, Agent, or Firm*—SAIDMAN DesignLaw Group

Sep. 27, 2006 (JP) 2006-025904

(57) **CLAIM**

(51) **LOC (8) Cl.** **12-16**

The ornamental design for a rear bumper for an automobile, as shown and described.

(52) **U.S. Cl.** **D12/169**

(58) **Field of Classification Search** D12/90-92,

D12/86, 169, 196, 163; 296/193.1, 181.1;

293/102, 113, 115, 117, 120

See application file for complete search history.

DESCRIPTION

FIG. 1 is a front perspective view of a rear bumper for an automobile showing my new design;

(56) **References Cited**

FIG. 2 is front view thereof;

U.S. PATENT DOCUMENTS

FIG. 3 is a rear view thereof;

D500,716 S * 1/2005 Hosoda et al. D12/169

FIG. 4 is a right-side view thereof;

D505,893 S * 6/2005 Boyer D12/169

FIG. 5 is a top view thereof; and,

D506,168 S * 6/2005 Chan D12/169

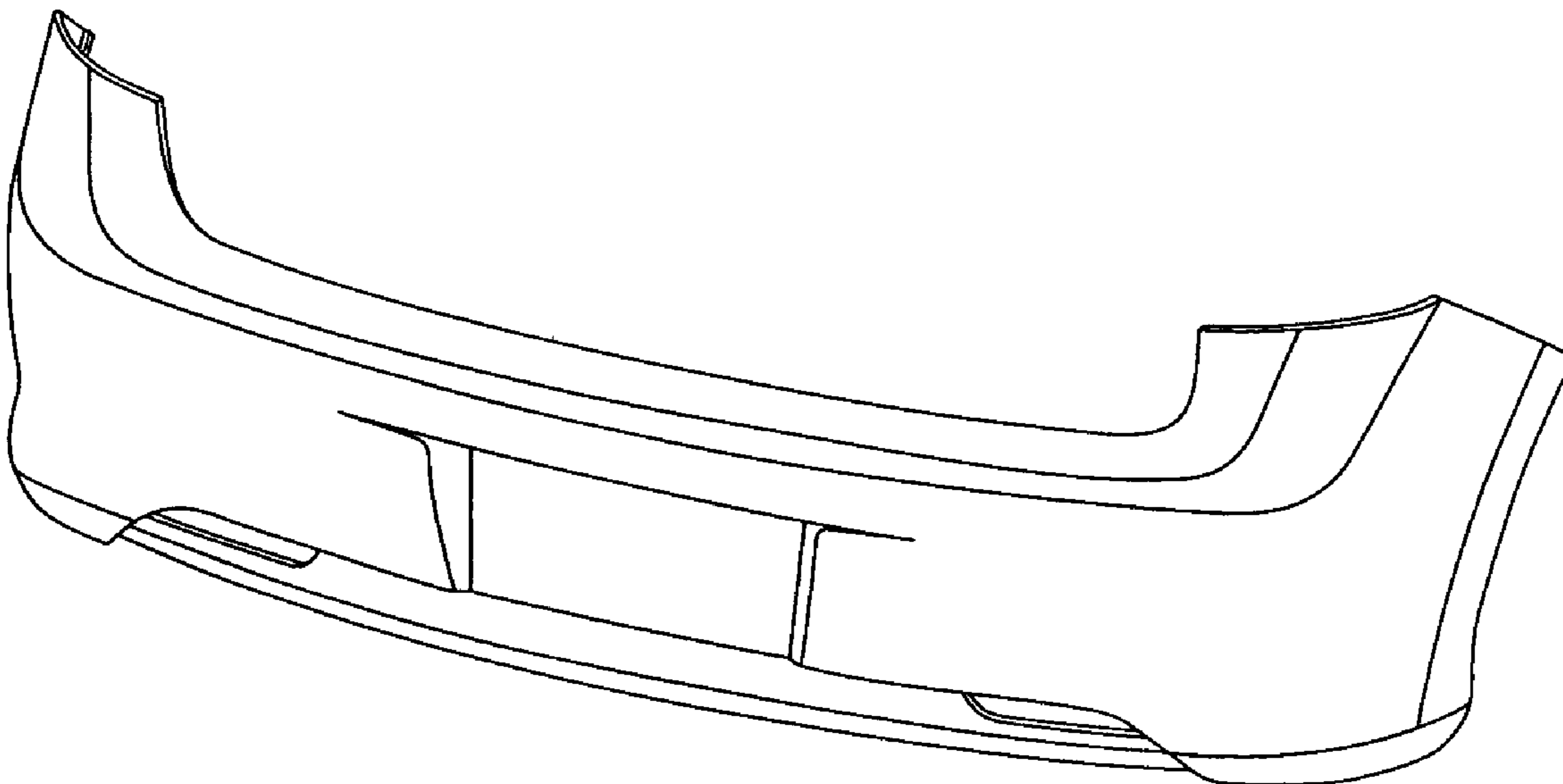
FIG. 6 is a bottom view thereof.

D512,003 S * 11/2005 Koide D12/169

D516,968 S * 3/2006 Sakae et al. D12/169

D543,911 S * 6/2007 Golden et al. D12/169

1 Claim, 4 Drawing Sheets



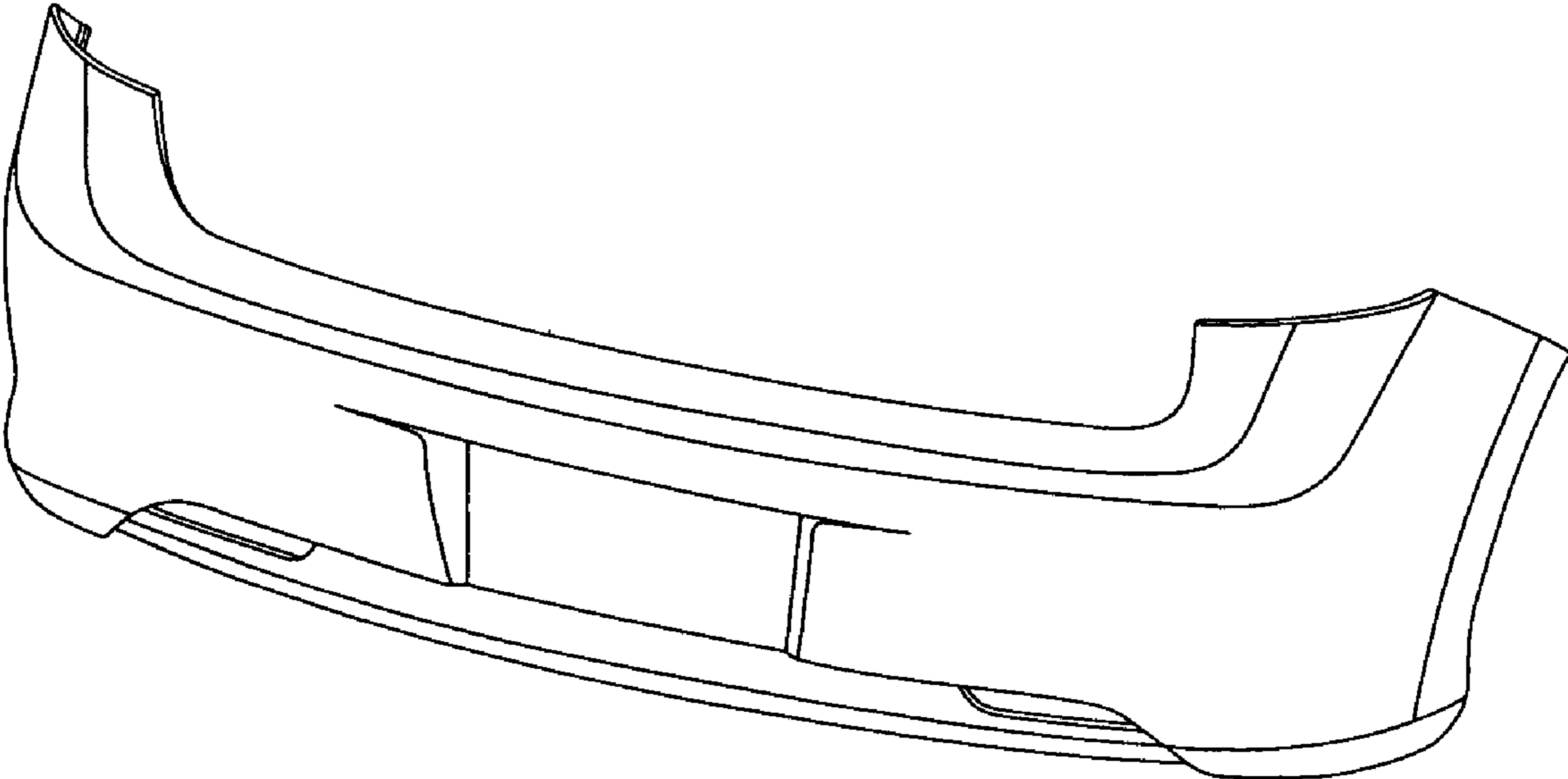


FIG. 1

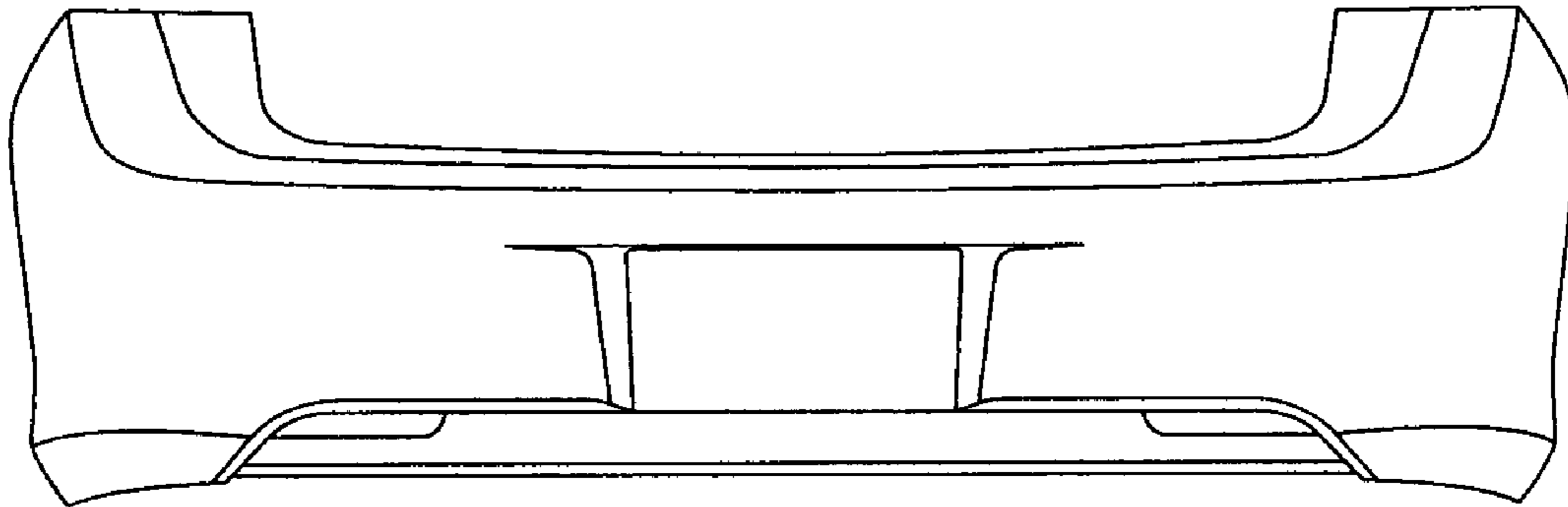


FIG. 2

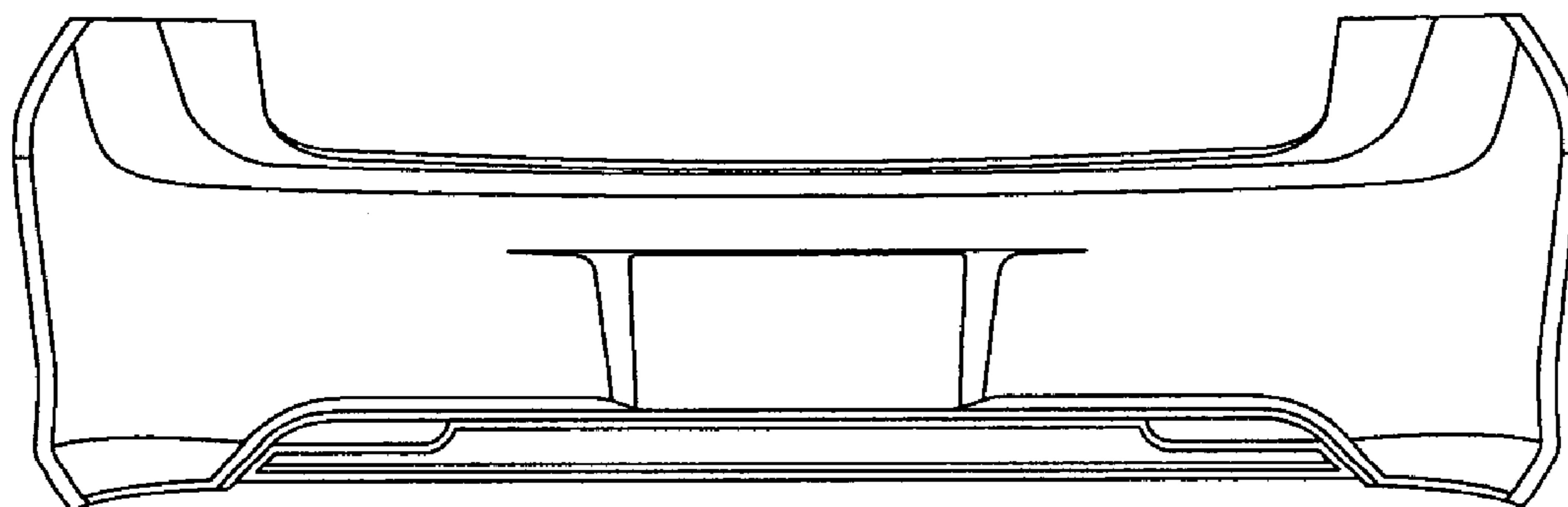


FIG. 3

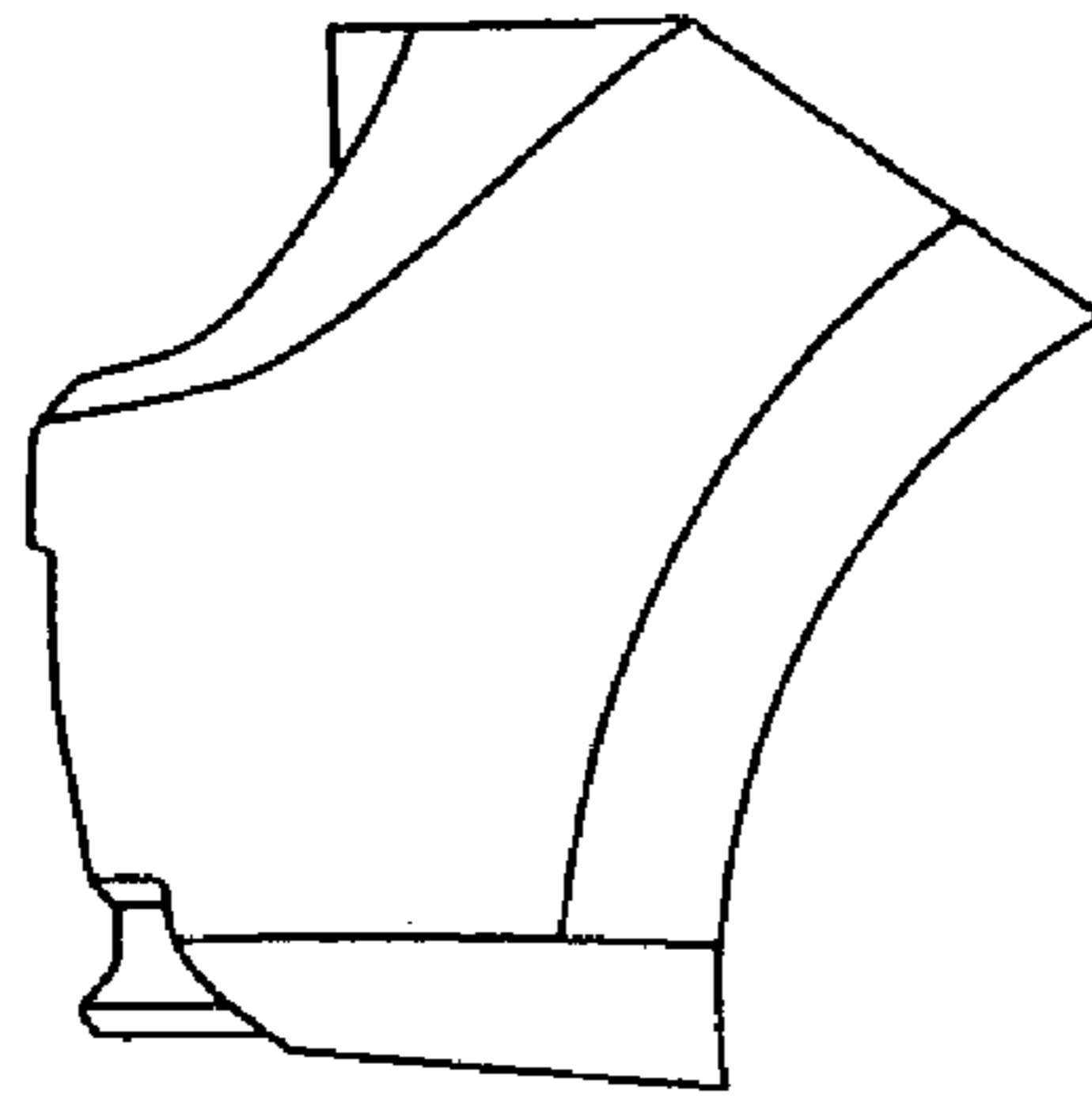


FIG. 4



FIG. 5



FIG. 6