



US00D564423S

(12) **United States Design Patent**
Spearman-Oxx et al.

(10) **Patent No.:** **US D564,423 S**
(45) **Date of Patent:** **** Mar. 18, 2008**

(54) **VEHICLE FRONT BUMPER COVER**

(75) Inventors: **Simon Spearman-Oxx**, Kent (GB);
Ehab Kaoud, Canton, MI (US)

(73) Assignee: **Ford Global Technologies, LLC**,
Dearborn, MI (US)

(**) Term: **14 Years**

(21) Appl. No.: **29/246,054**

(22) Filed: **Jan. 13, 2006**

(51) **LOC (8) Cl.** **12-16**

(52) **U.S. Cl.** **D12/169**

(58) **Field of Classification Search** D12/90-92,
D12/86, 169, 196, 163; 296/193.1, 181.1;
293/102, 113, 115, 117, 120

See application file for complete search history.

(56) **References Cited**

U.S. PATENT DOCUMENTS

D307,731 S *	5/1990	Kerney et al.	D12/96
D519,069 S *	4/2006	Clark et al.	D12/169
D540,722 S *	4/2007	Angelo et al.	D12/169
D543,912 S *	6/2007	Kato et al.	D12/169

* cited by examiner

Primary Examiner—Melody N. Brown

(74) *Attorney, Agent, or Firm*—Damian Porcari

(57) **CLAIM**

We claim the ornamental design for a vehicle front bumper cover, as shown and described.

DESCRIPTION

FIG. 1 is a right side front perspective view of a right vehicle front bumper cover, the left vehicle front bumper cover (not shown) is a mirror of the right vehicle front bumper cover;

FIG. 2 is a front elevational view of the vehicle front bumper cover;

FIG. 3 is a right side elevational view of the vehicle front bumper cover;

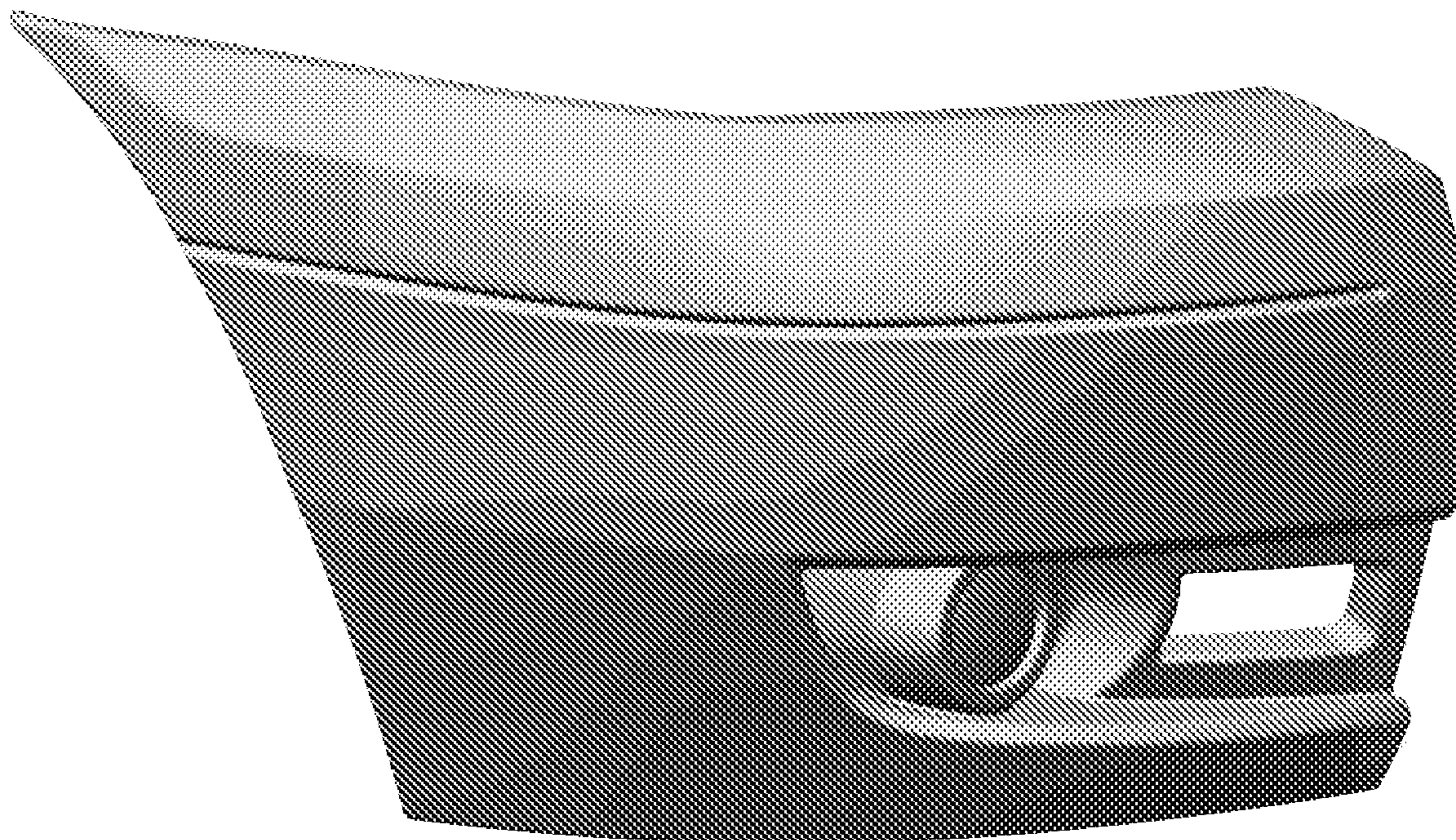
FIG. 4 is a left side elevational view of the vehicle front bumper cover;

FIG. 5 is a top plan view of the vehicle front bumper cover; and,

FIG. 6 is a bottom plan view of the vehicle front bumper cover.

Shading is used to illustrate the curvature of the part and not color.

1 Claim, 6 Drawing Sheets



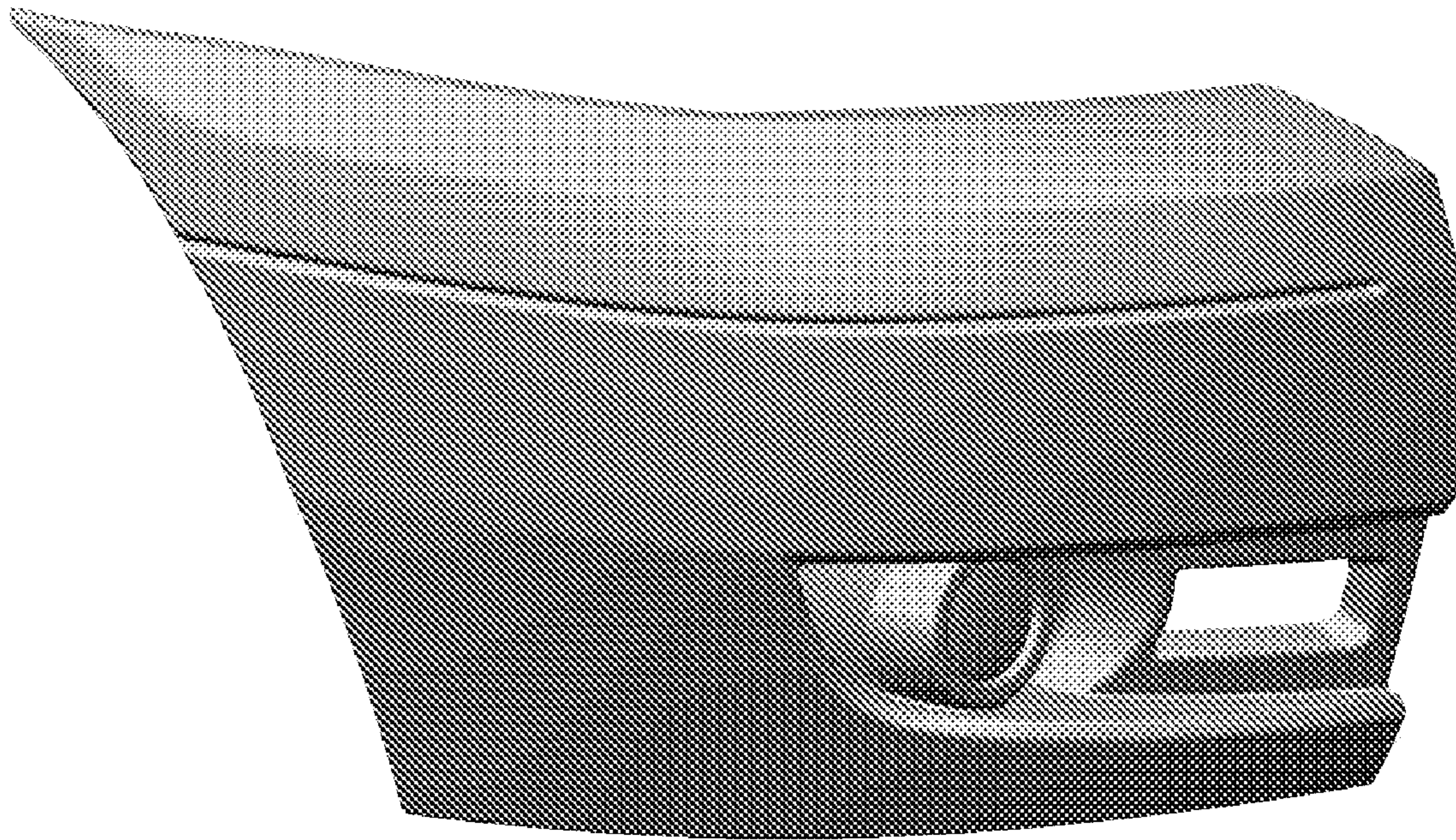


Figure 1

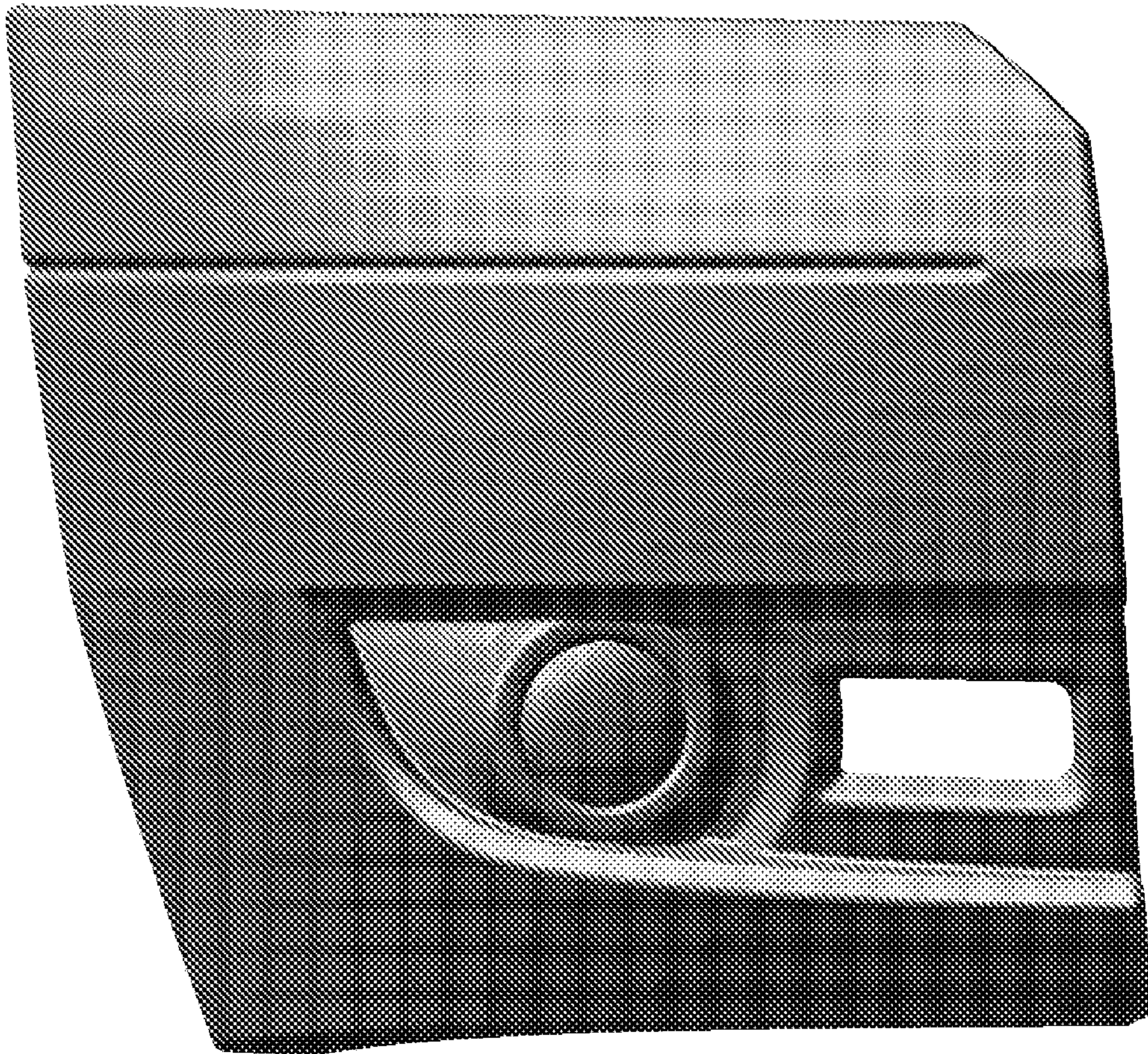


Figure 2

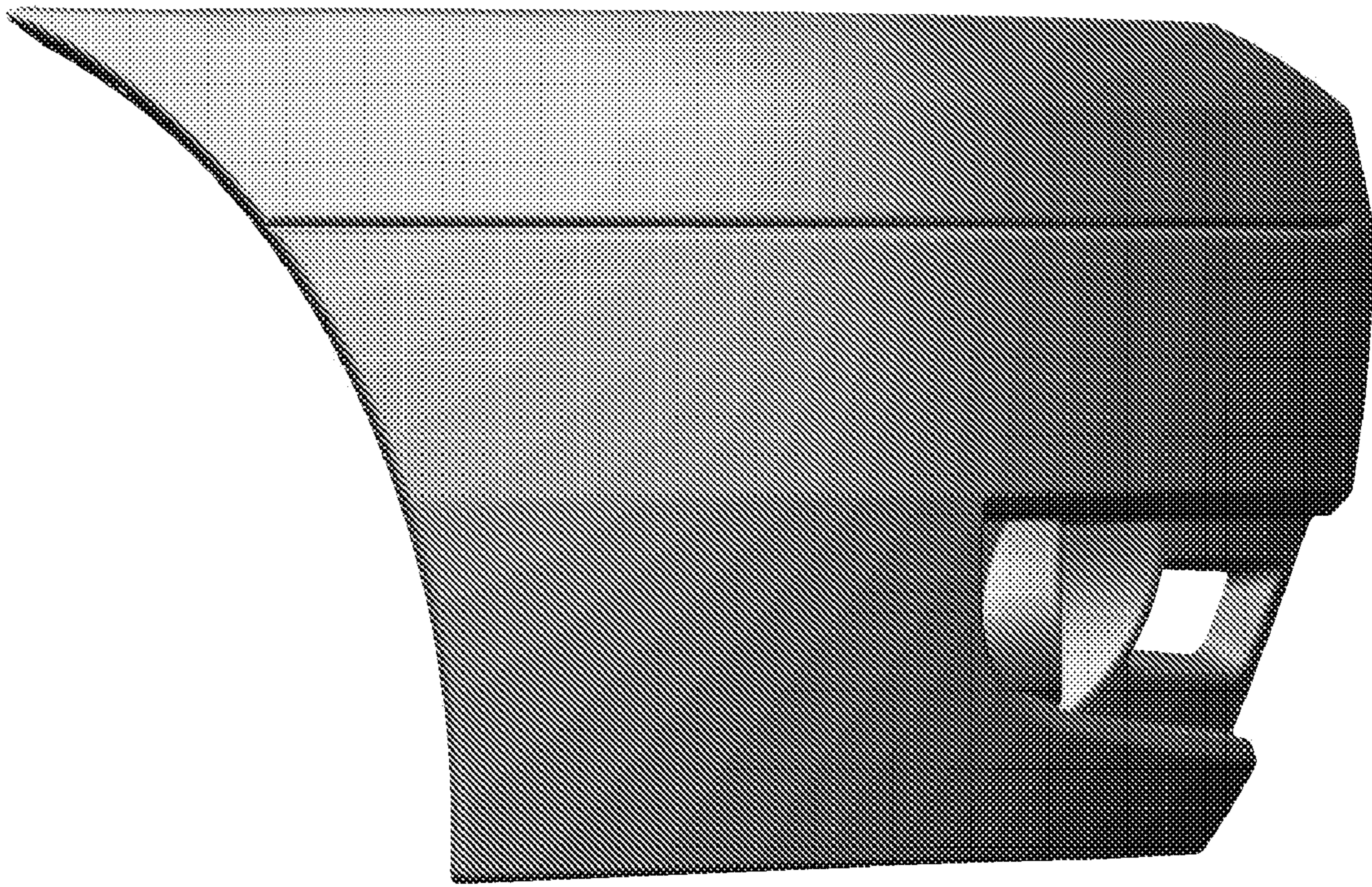


Figure 3

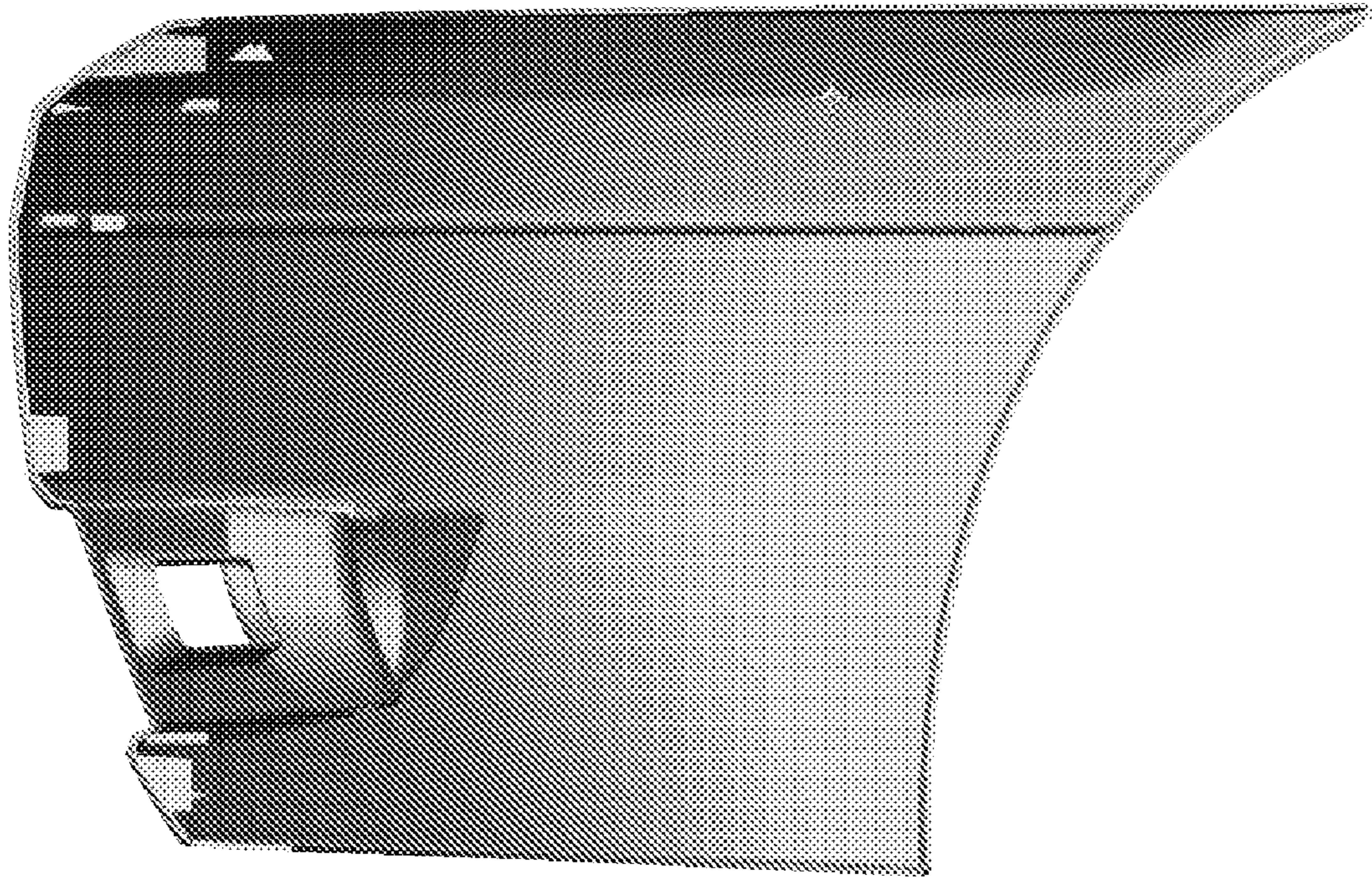


Figure 4

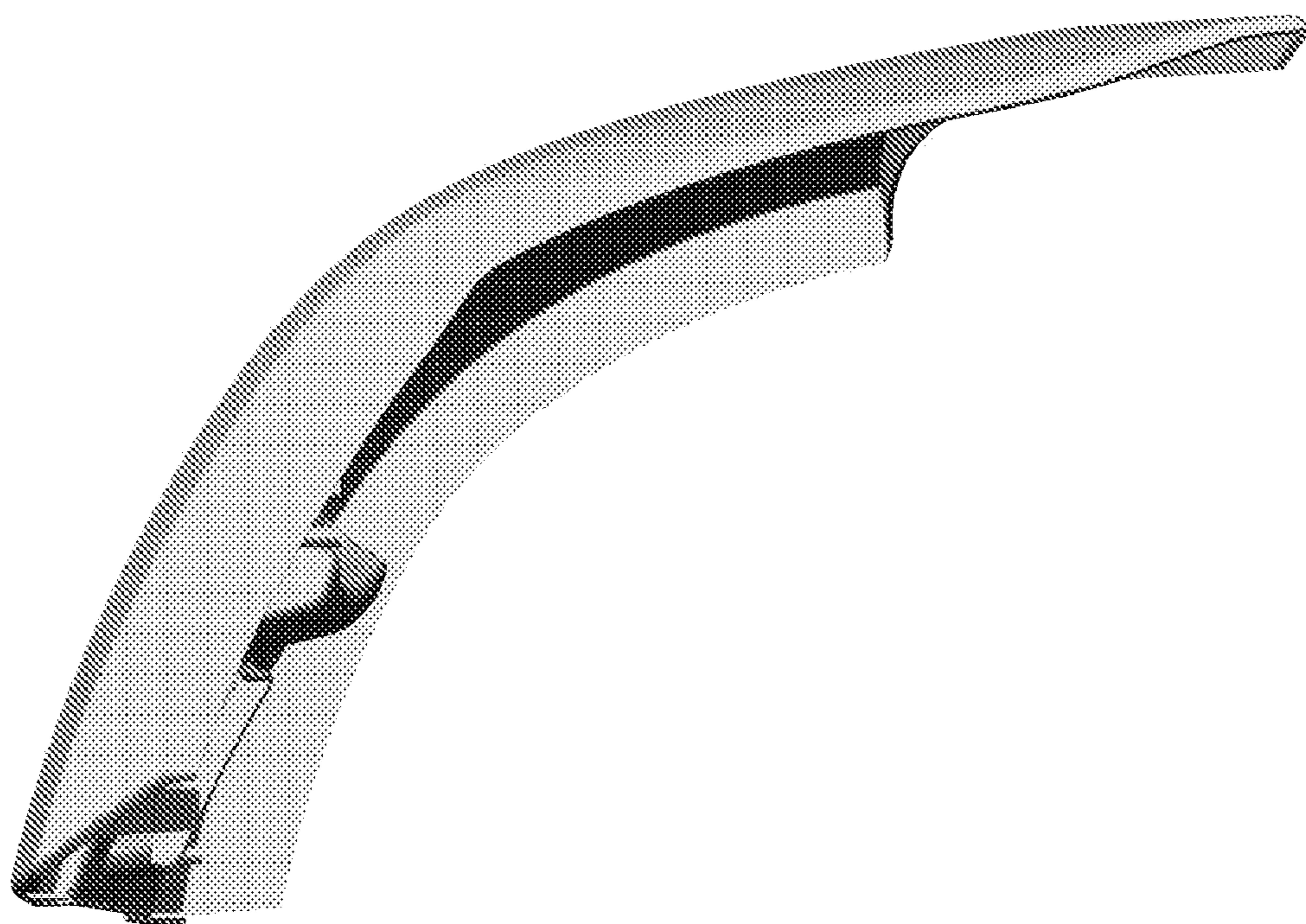


Figure 5

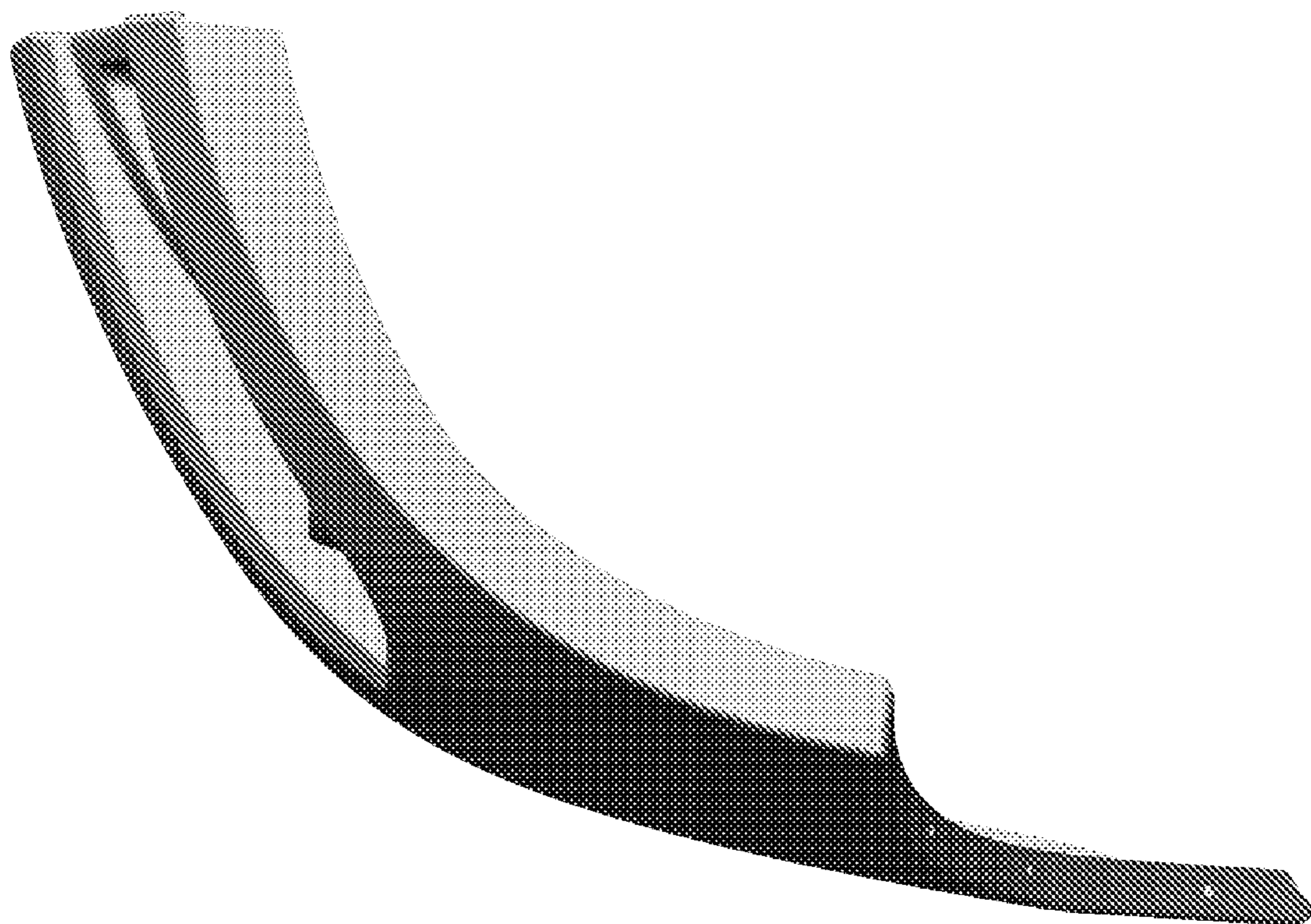


Figure 6