



US00D564421S

(12) **United States Design Patent**
McKenna

(10) **Patent No.:** **US D564,421 S**
(45) **Date of Patent:** **** Mar. 18, 2008**

(54) **TRAY FOR WALKER**

(76) Inventor: **James McKenna**, P.O. Box 5288, Oak Brook, IL (US) 60522-5288

(**) Term: **14 Years**

(21) Appl. No.: **29/270,165**

(22) Filed: **Dec. 18, 2006**

(51) **LOC (8) Cl.** **12-12**

(52) **U.S. Cl.** **D12/133; D6/511**

(58) **Field of Classification Search** D12/128-133, D12/400, 411, 416, 419; 296/65.03, 65.04; 224/409; 297/DIG. 4; 280/62, 647-650, 280/29, 200, 47.38, 250.1, 259, 642, 658; D6/511, 567; D21/398; D7/553.1-553.4
See application file for complete search history.

(56) **References Cited**

U.S. PATENT DOCUMENTS

1,351,285	A *	8/1920	Chess	294/172
4,524,701	A *	6/1985	Chappell	108/44
D300,496	S *	4/1989	Childress	D7/553.4
D305,015	S *	12/1989	Roche	D12/133
D315,463	S *	3/1991	Spiegel	D6/511

D318,694	S *	7/1991	Richards-Butts	D21/398
D353,123	S *	12/1994	Korona	D12/133
D403,280	S *	12/1998	Diestel et al.	D12/133
D422,539	S *	4/2000	Jacobson	D12/133
D428,833	S *	8/2000	Chuang	D12/133

* cited by examiner

Primary Examiner—Charles A. Rademaker

Assistant Examiner—Charles D Hanson

(74) *Attorney, Agent, or Firm*—Justin Lampel

(57) **CLAIM**

The ornamental design for a tray for walker, as shown and described.

DESCRIPTION

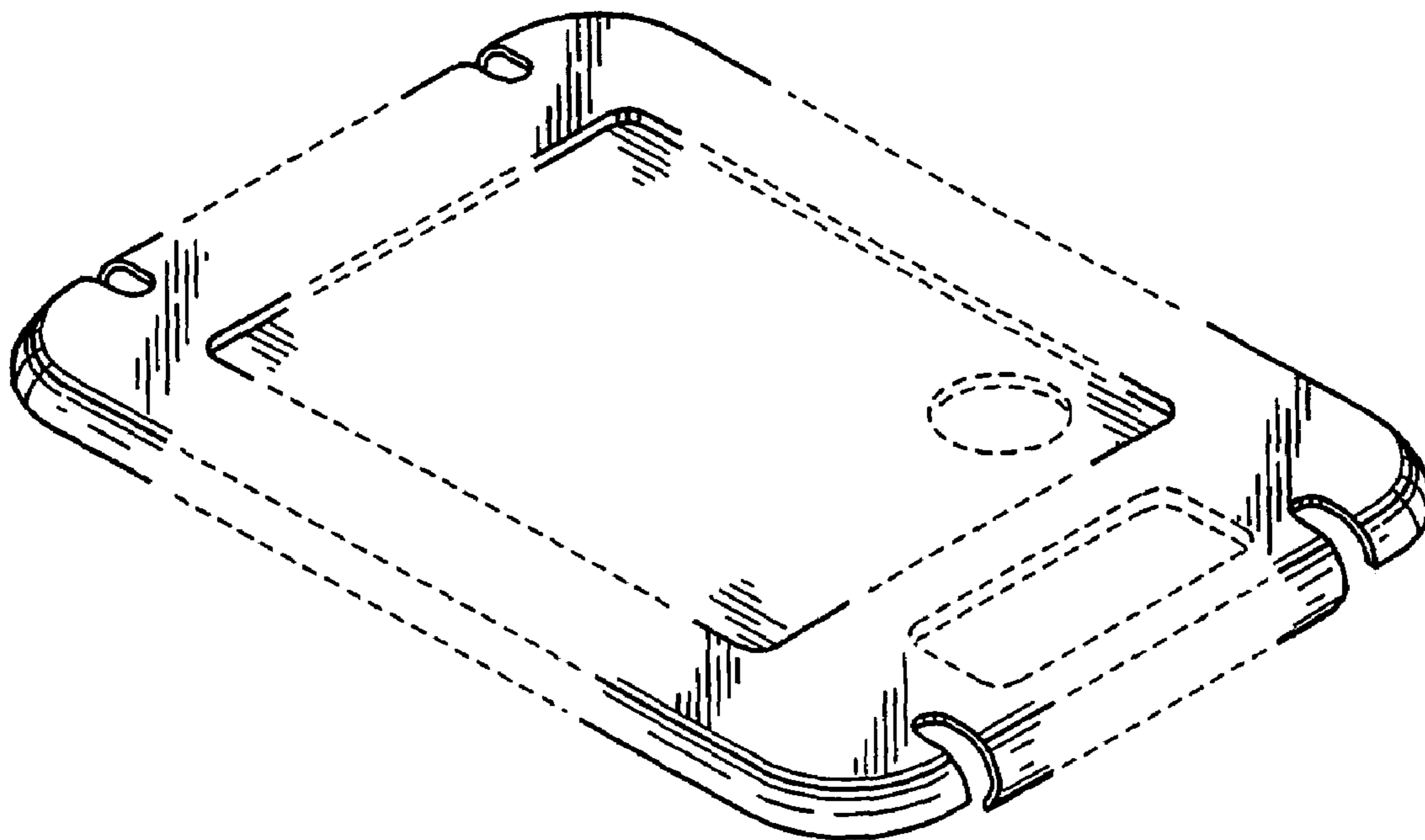
FIG. 1 is a perspective view of a tray for walker showing my design;

FIG. 2 is a front elevation thereof; and,

FIG. 3 is a side elevation thereof.

The broken line showing of is included for the purpose of illustrating environmental structure and forms no part of the claimed design.

1 Claim, 1 Drawing Sheet



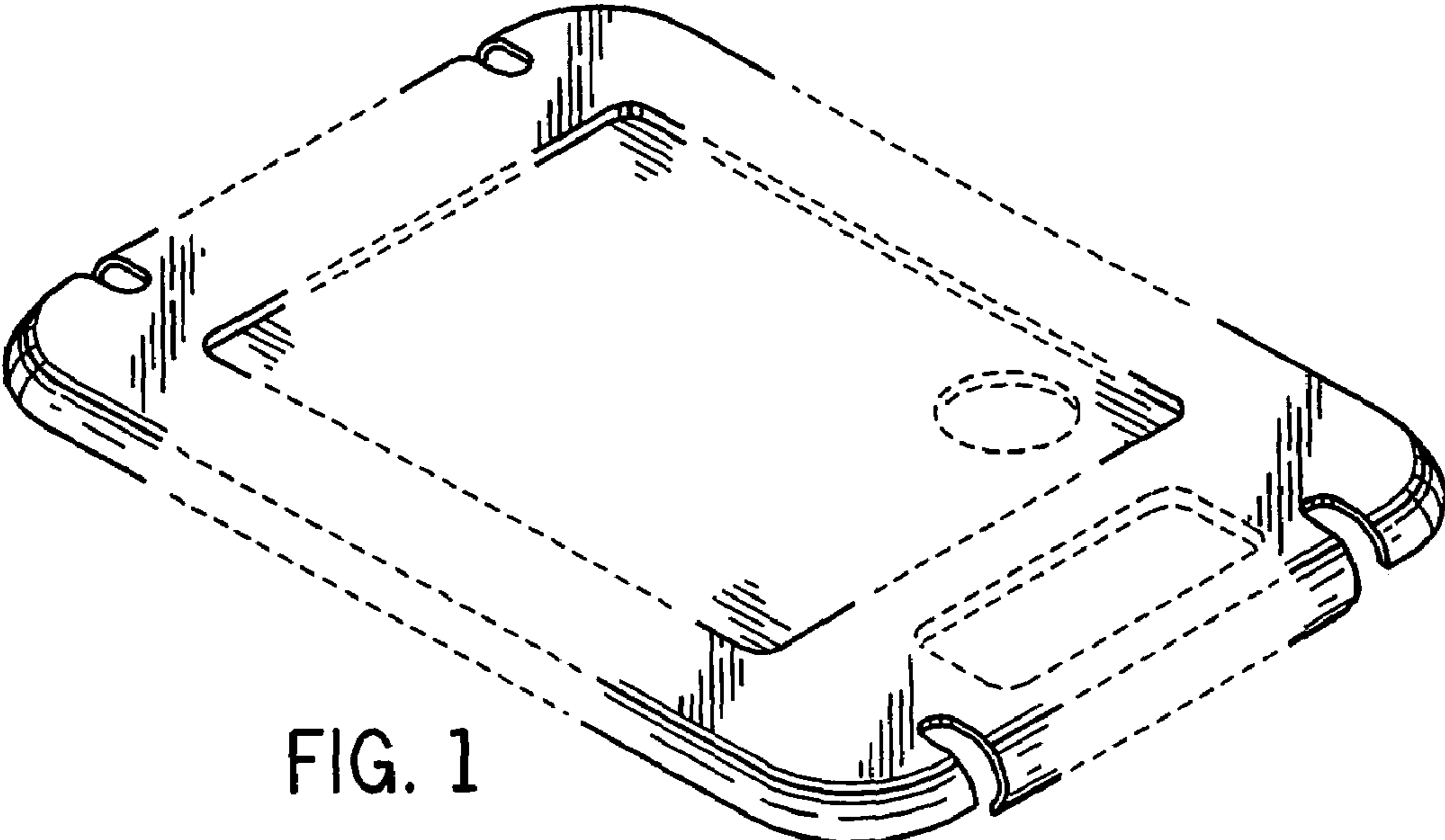


FIG. 1

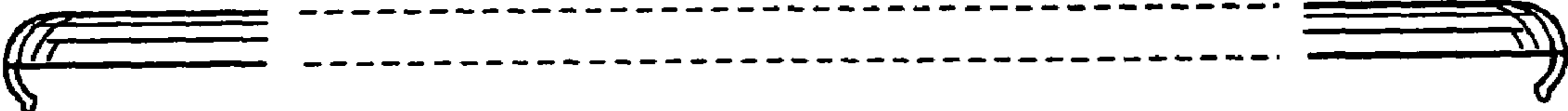


FIG. 2



FIG. 3