



US00D564415S

(12) **United States Design Patent**
Maeda

(10) **Patent No.:** **US D564,415 S**
(45) **Date of Patent:** **** Mar. 18, 2008**

(54) **MOTORCYCLE**

(75) Inventor: **Naoto Maeda**, Hamamatsu (JP)

(73) Assignee: **Suzuki Motor Corporation**,
Shizuoka-Pref. (JP)

(**) Term: **14 Years**

(21) Appl. No.: **29/250,427**

(22) Filed: **Nov. 14, 2006**

(30) **Foreign Application Priority Data**

Jun. 8, 2006 (JP) 2006-014767

(51) **LOC (8) Cl.** **12-11**

(52) **U.S. Cl.** **D12/110**

(58) **Field of Classification Search** D12/110;
180/219, 220, 225, 229

See application file for complete search history.

(56) **References Cited**

U.S. PATENT DOCUMENTS

D420,941 S *	2/2000	Ueno et al.	D12/110
D439,552 S *	3/2001	Tsukui et al.	D12/110
D444,420 S *	7/2001	Takeshita et al.	D12/110
D468,668 S *	1/2003	Katagiri et al.	D12/110
D504,844 S *	5/2005	Sasanami	D12/110

* cited by examiner

Primary Examiner—Cathron Brooks

Assistant Examiner—Linda Brooks

(74) *Attorney, Agent, or Firm*—Foley Hoag LLP

(57) **CLAIM**

The ornamental design for a motorcycle, as shown and described.

DESCRIPTION

FIG. 1 is a front view of a motorcycle showing my new design;

FIG. 2 is a rear view thereof;

FIG. 3 is a right side elevational view thereof;

FIG. 4 is a left side elevational view thereof;

FIG. 5 is a top view thereof;

FIG. 6 is a bottom view thereof;

FIG. 7 is a front perspective view of the right side thereof;

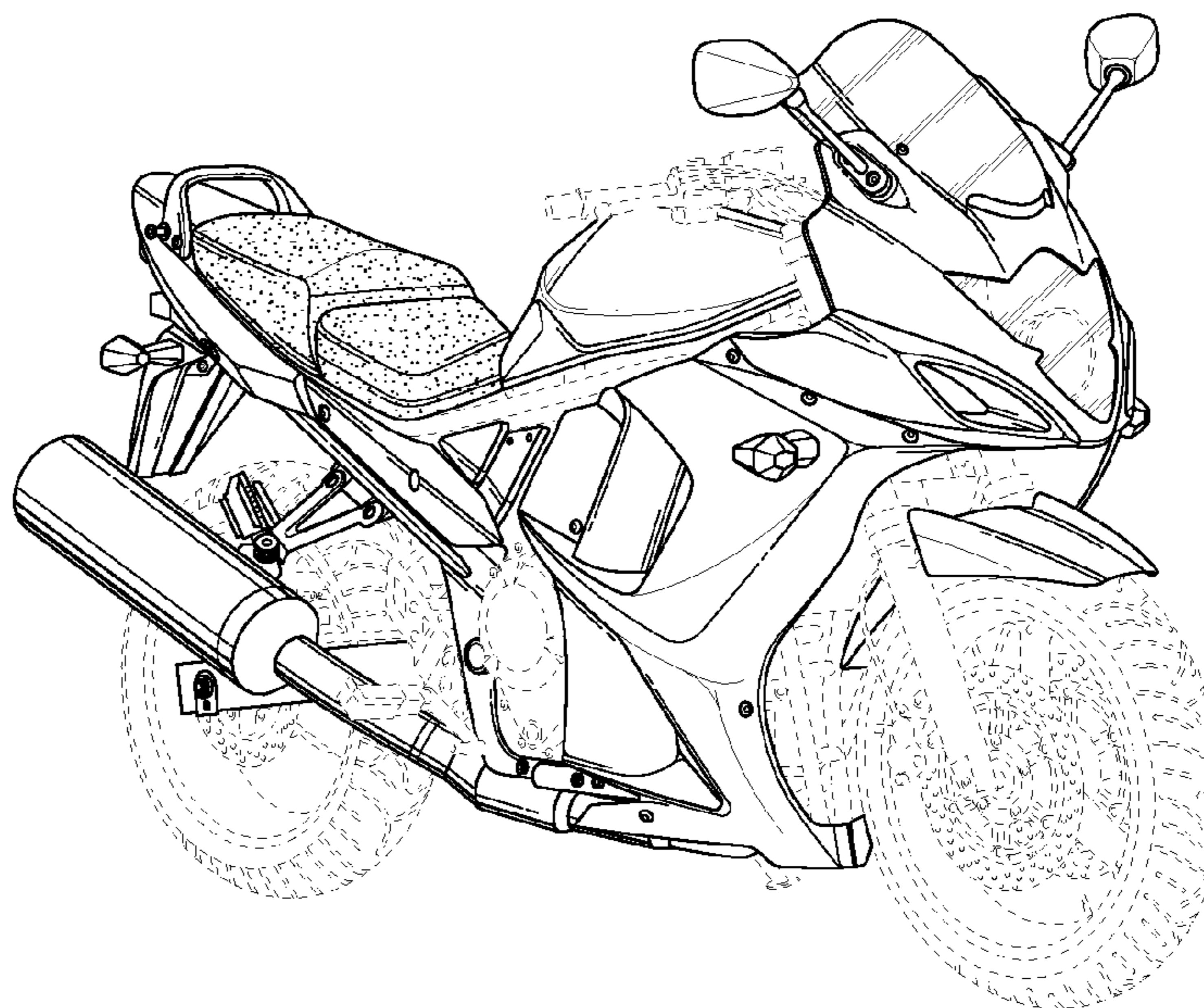
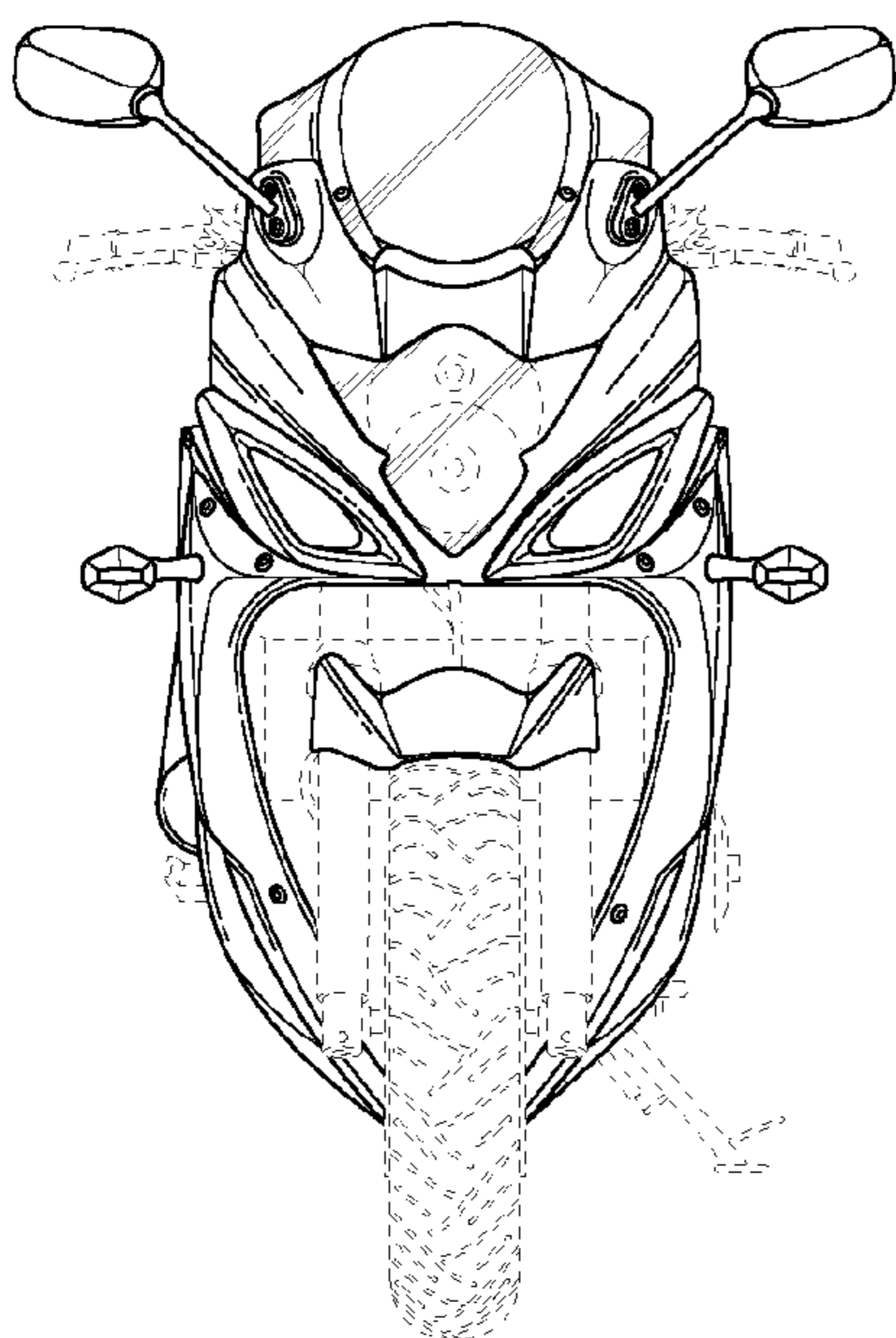
FIG. 8 is a front perspective view of the left side thereof;

FIG. 9 is a rear perspective view of the right side thereof; and,

FIG. 10 is a rear perspective view of the left side thereof.

The broken lines shown are for illustrative purposes only and form no part of the claimed design.

1 Claim, 10 Drawing Sheets



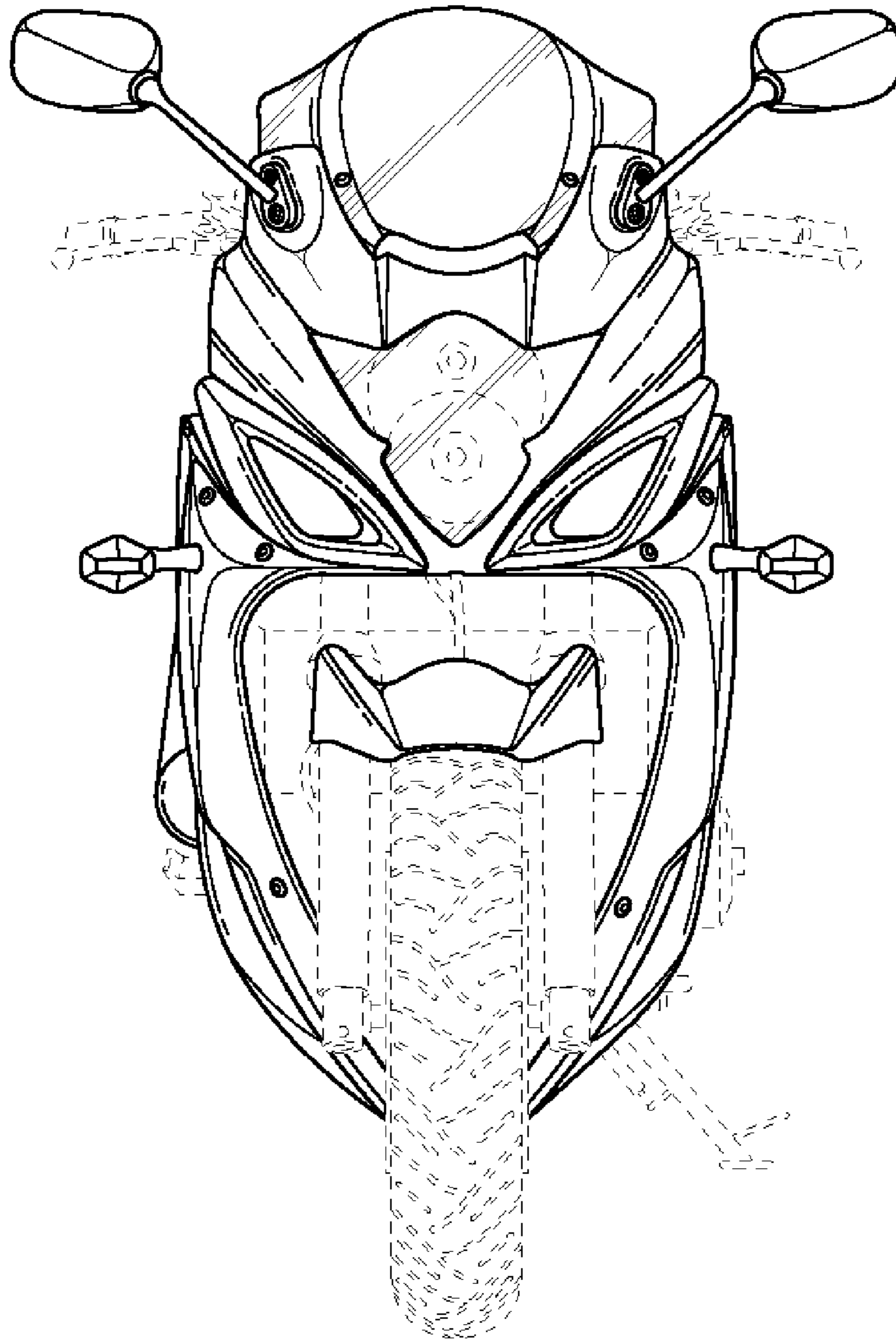


Fig. 1

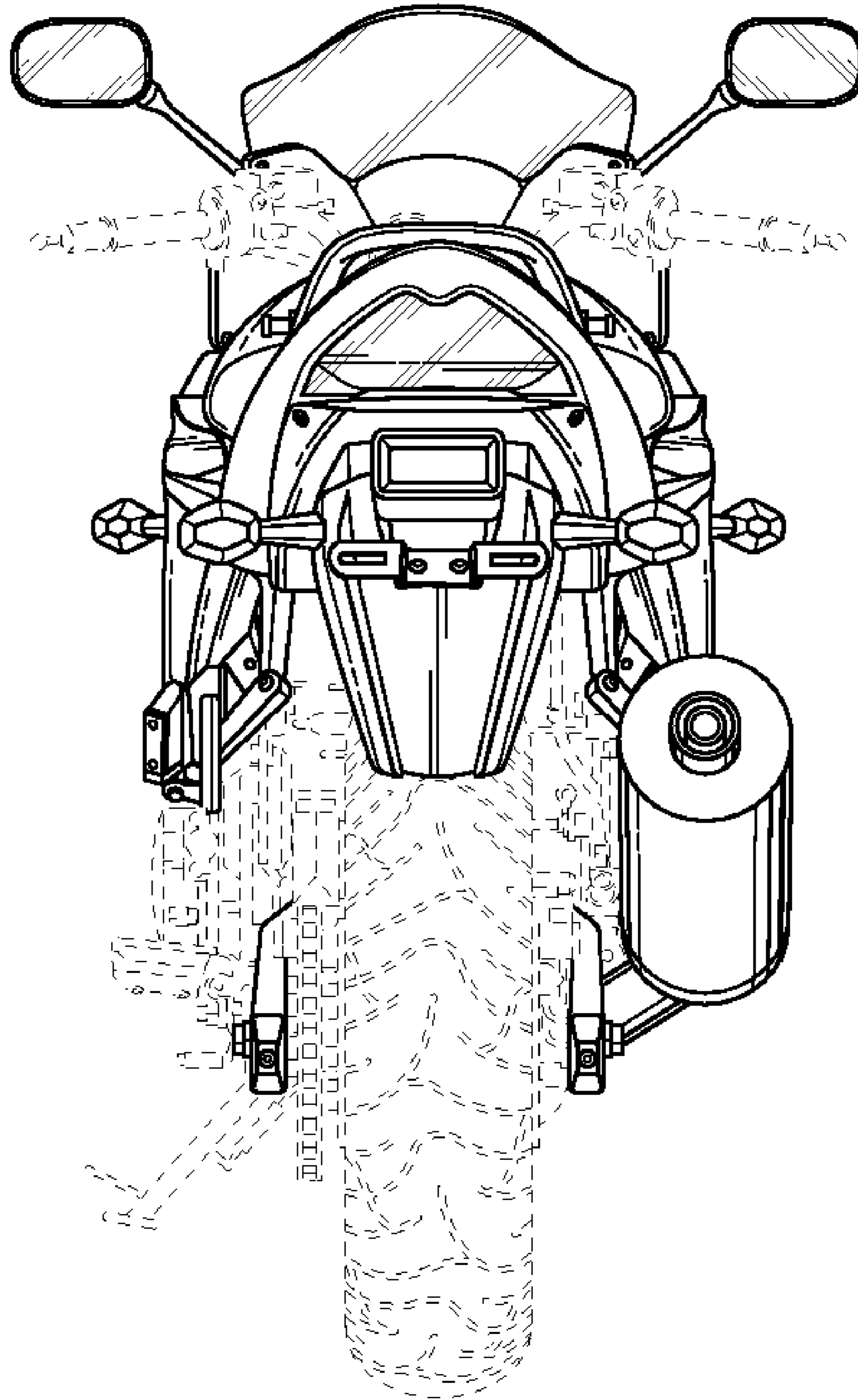


Fig. 2

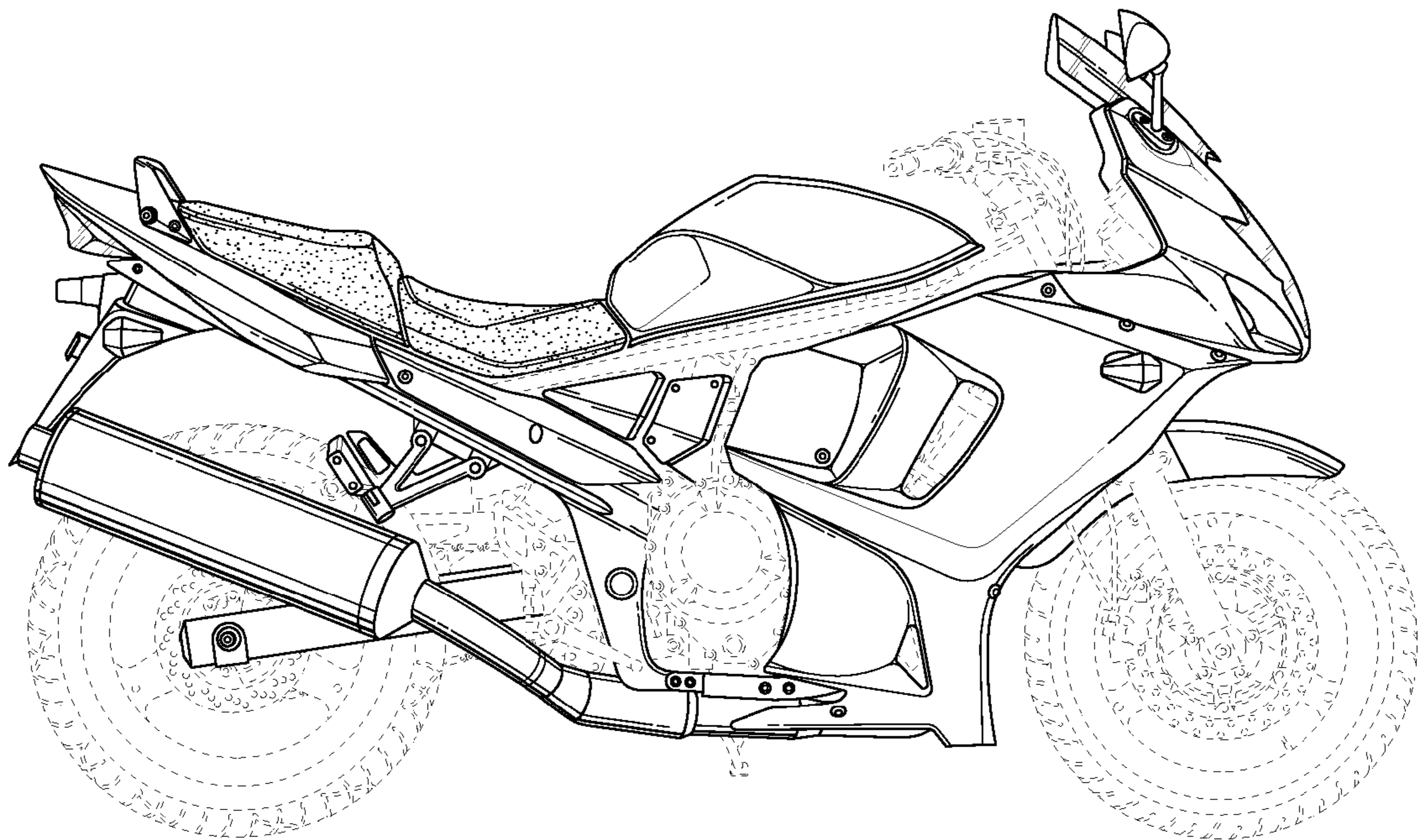


Fig. 3

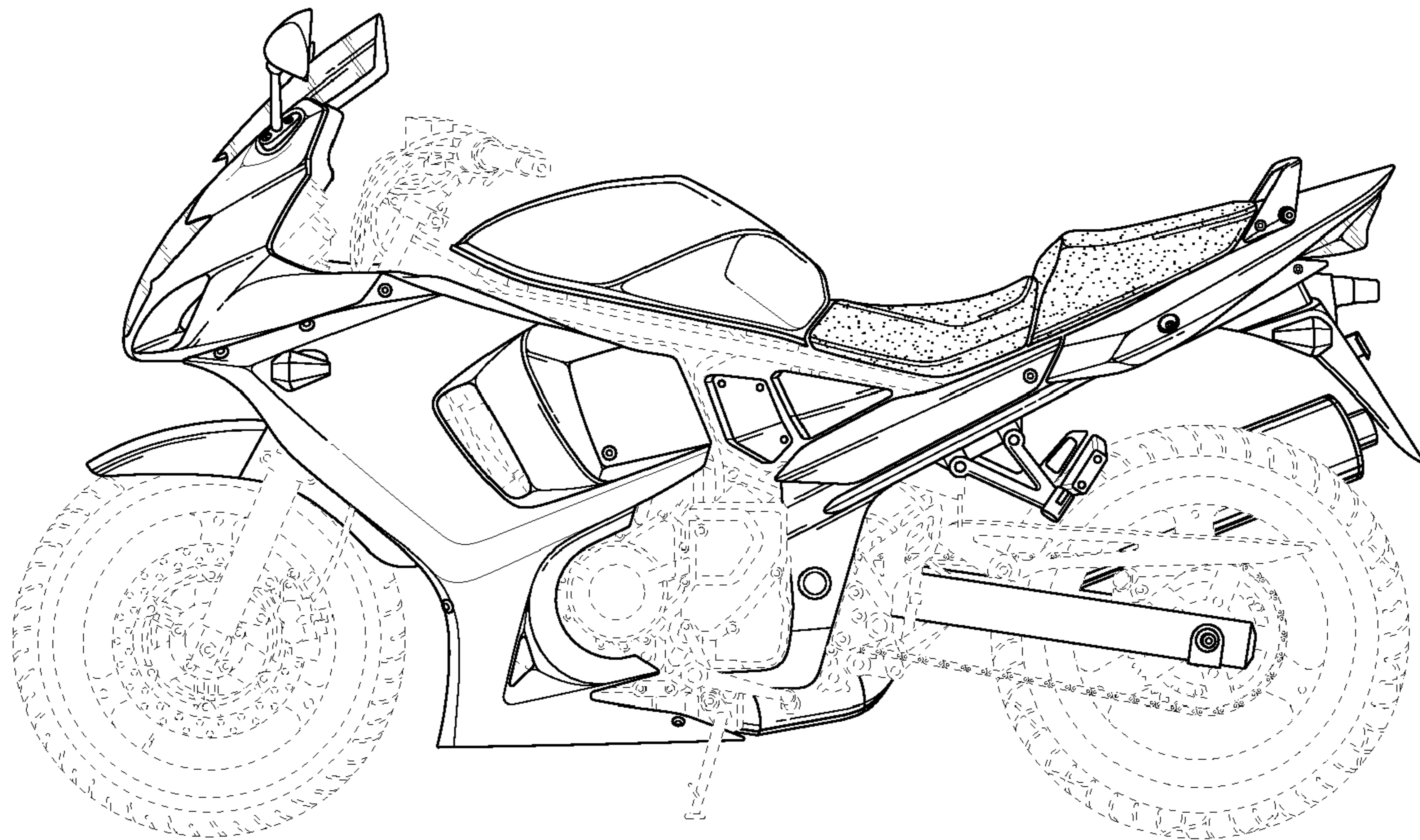


Fig. 4

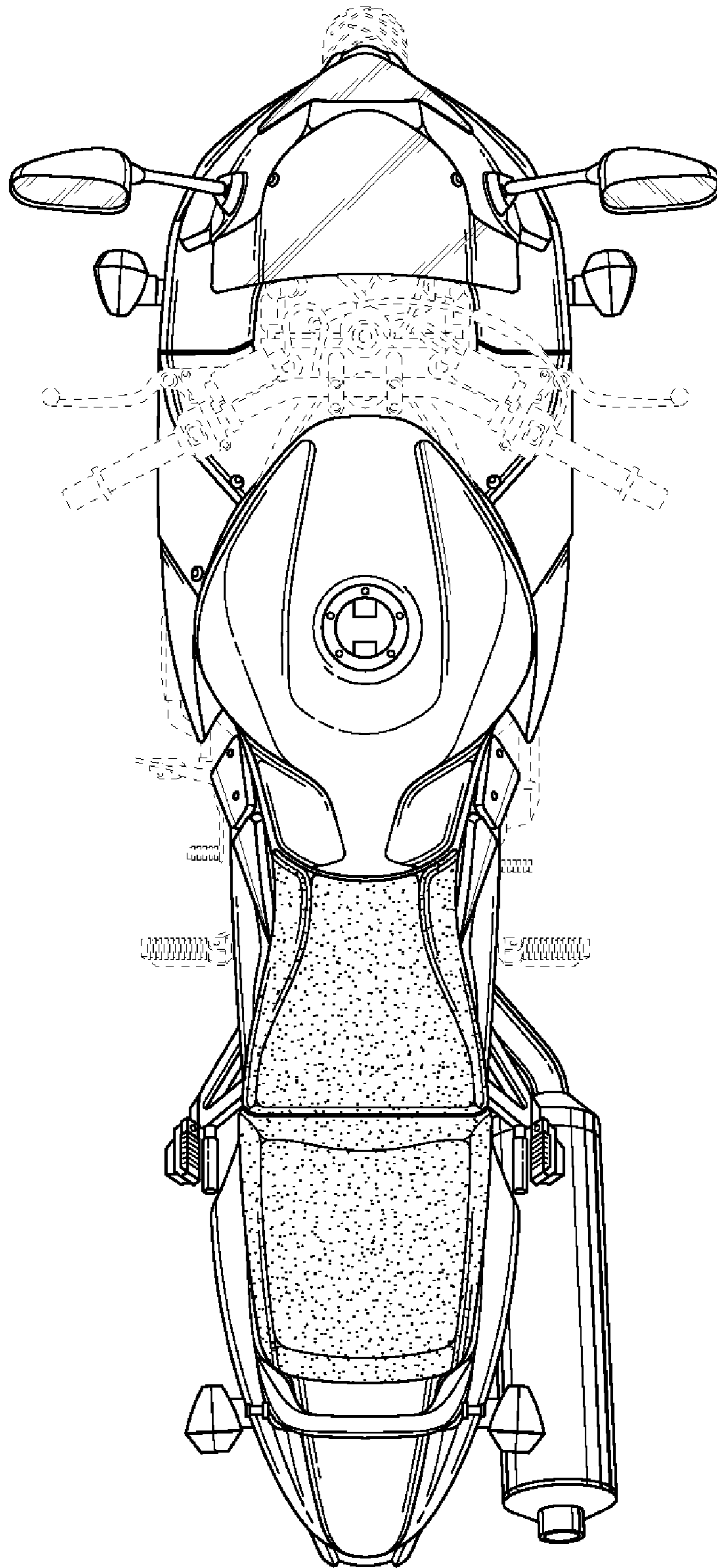


Fig. 5

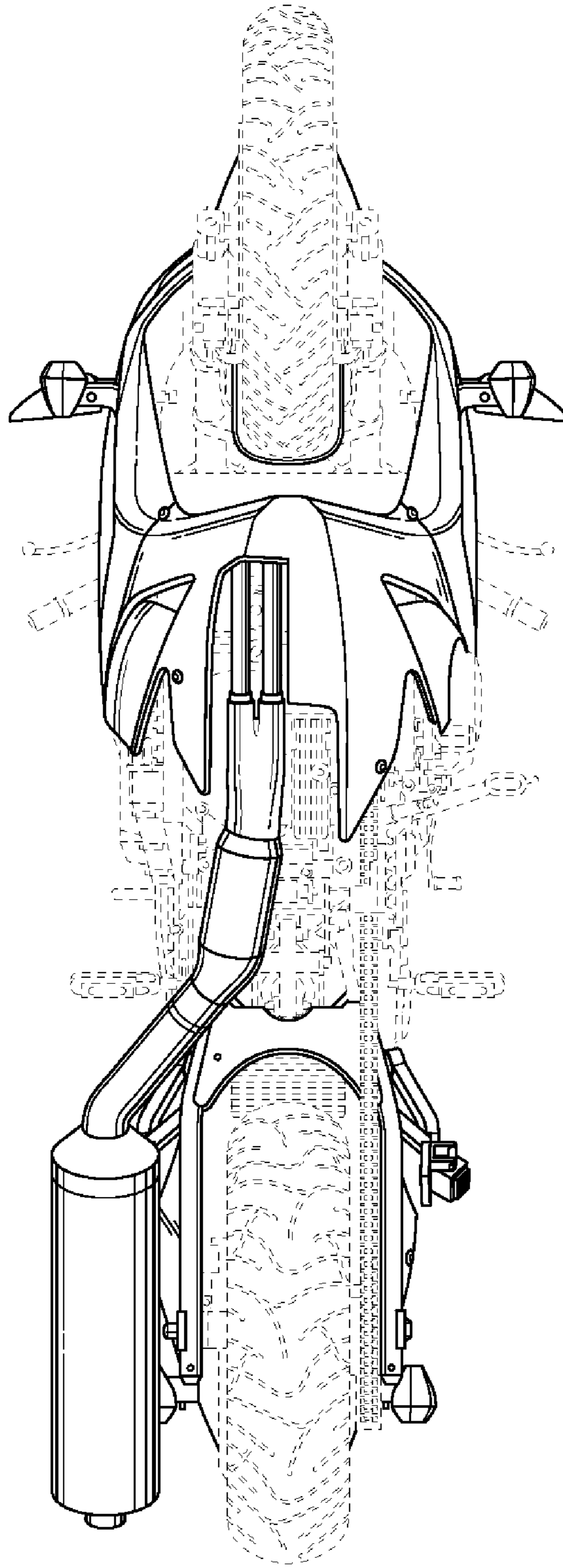


Fig. 6

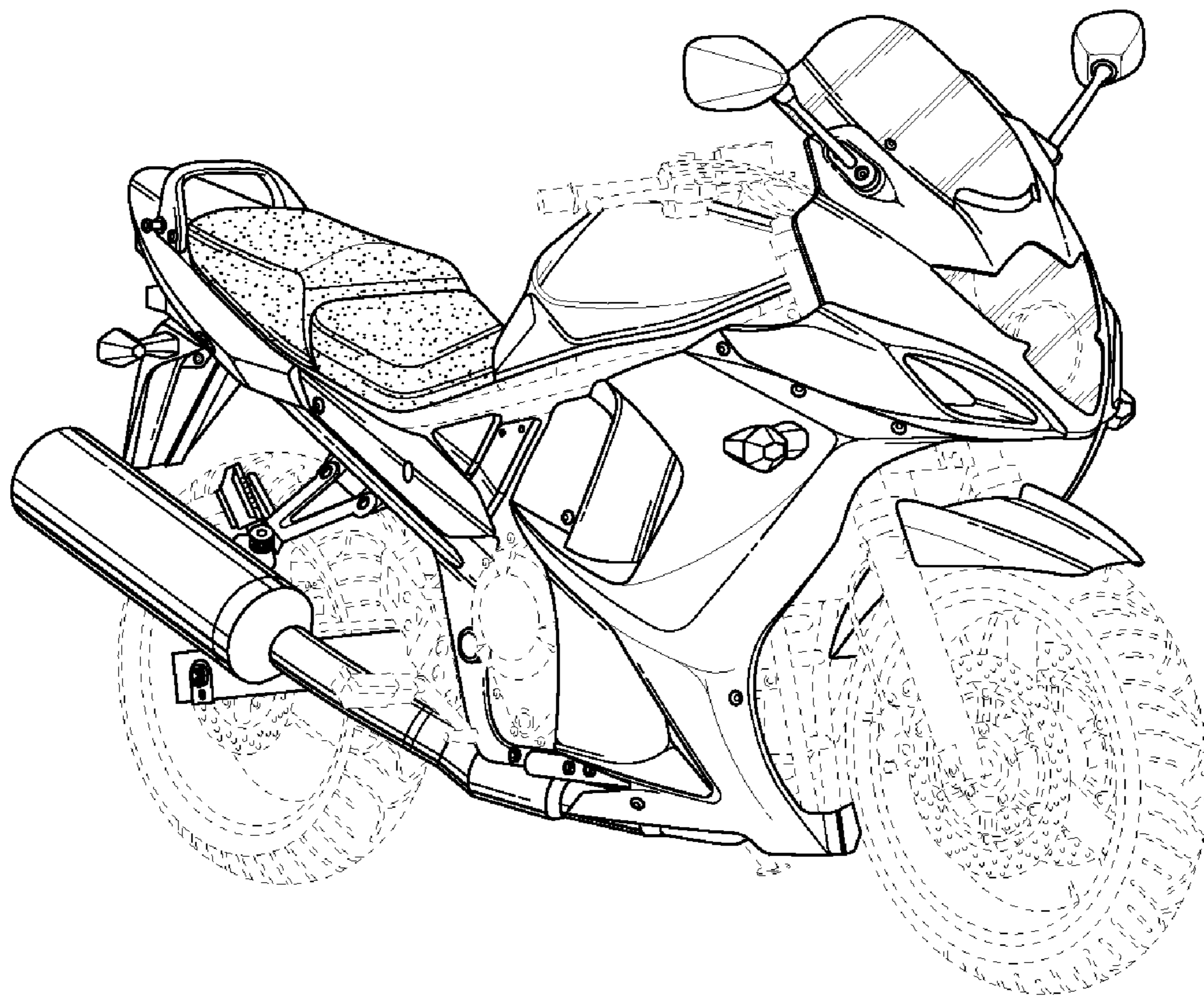


Fig. 7

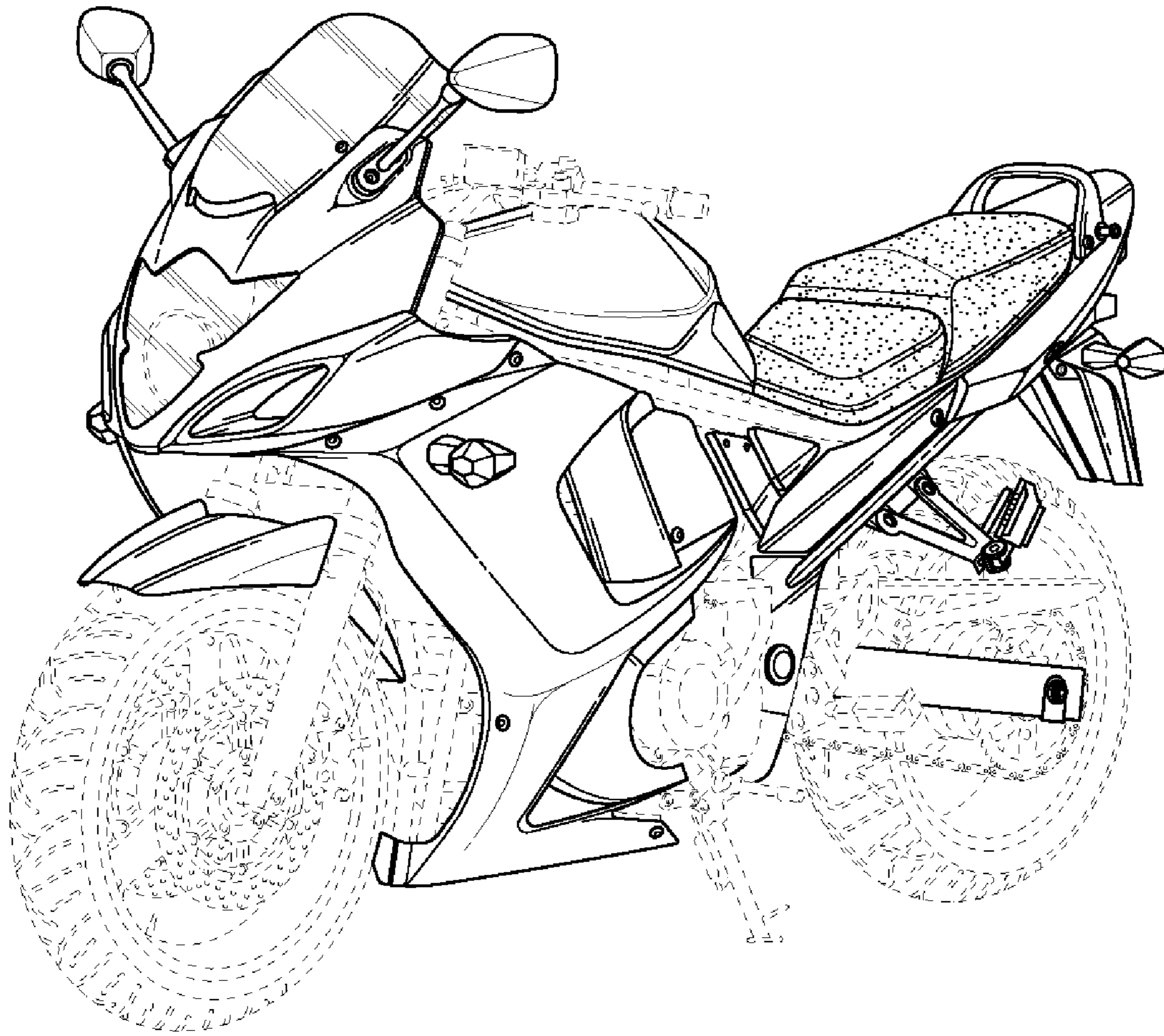


Fig. 8

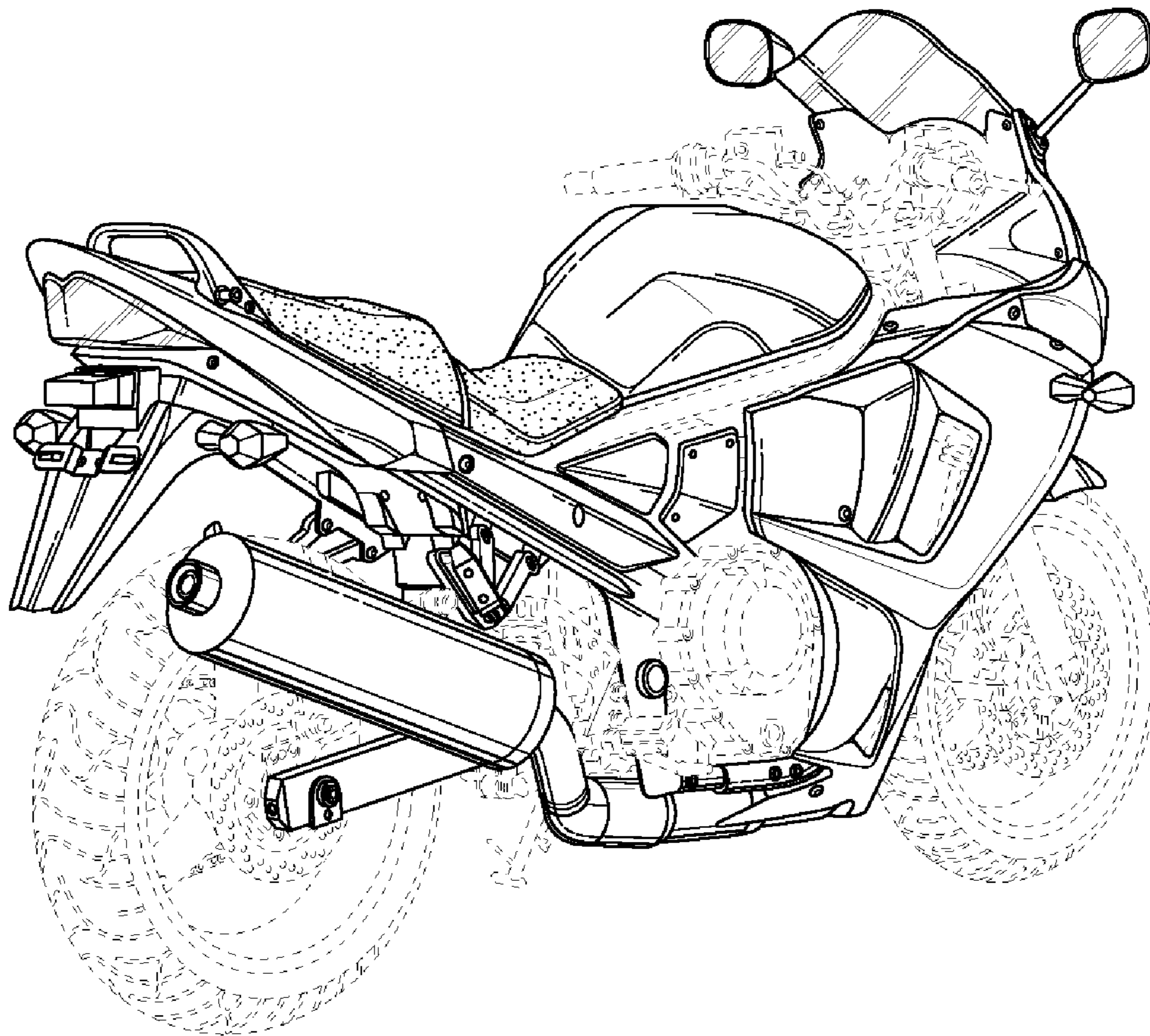


Fig. 9

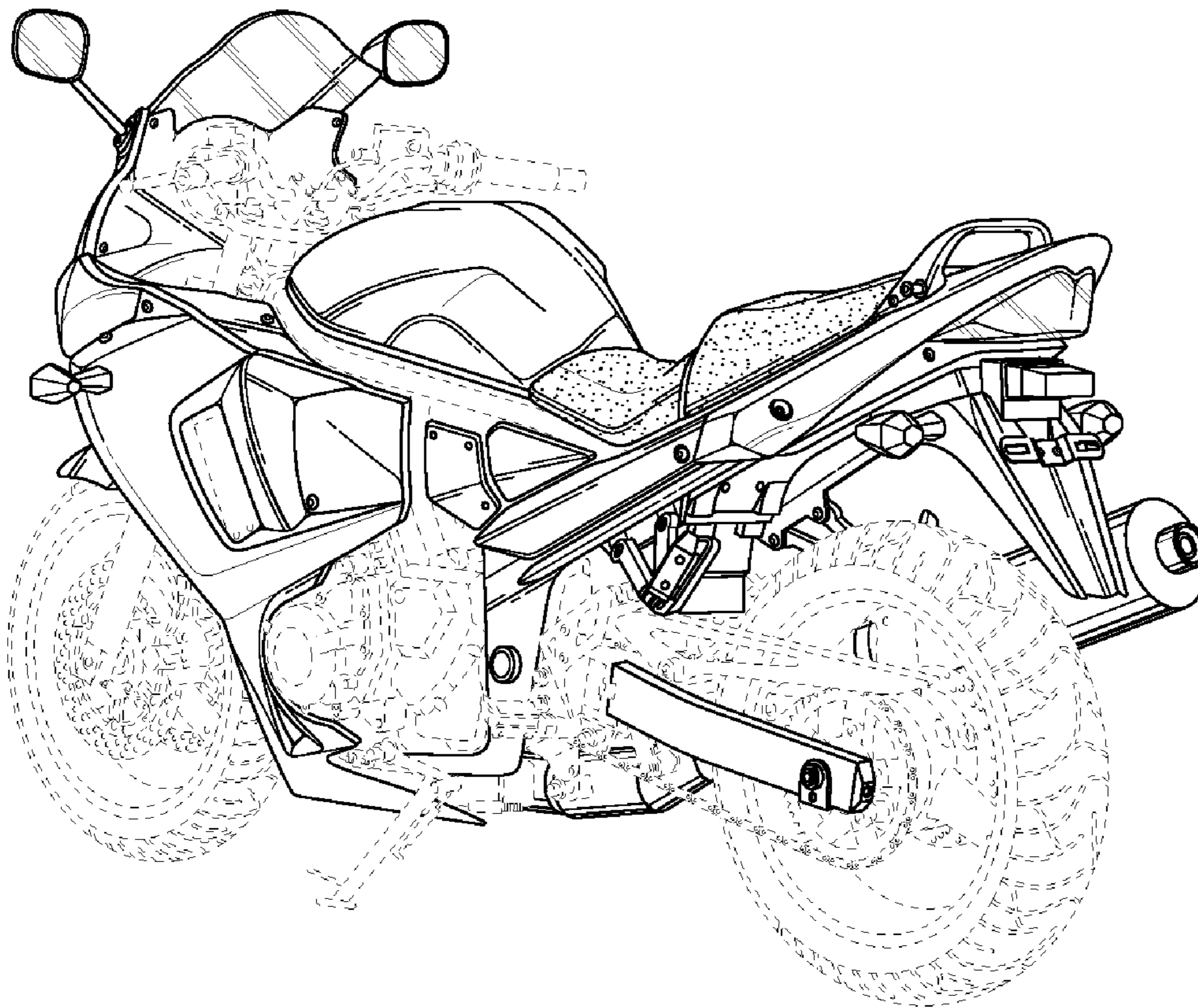


Fig. 10