



US00D564410S

(12) **United States Design Patent**  
**Lepage**

(10) **Patent No.:** **US D564,410 S**

(45) **Date of Patent:** **\*\* Mar. 18, 2008**

(54) **FRAME FOR CROSS-COUNTRY CAR**

(75) Inventor: **Francis Lepage**, Dacun Township,  
Changhua County (TW)

(73) Assignee: **Motive Power Industry Co., Ltd.**,  
Changhua County (TW)

(\*\*) Term: **14 Years**

(21) Appl. No.: **29/270,831**

(22) Filed: **Jan. 5, 2007**

(51) **LOC (8) Cl.** ..... **12-08**

(52) **U.S. Cl.** ..... **D12/87**

(58) **Field of Classification Search** ..... D12/86,  
D12/87, 90-92; D21/424, 433, 434; 296/181.1,  
296/181.5

See application file for complete search history.

(56) **References Cited**

**U.S. PATENT DOCUMENTS**

4,217,970	A *	8/1980	Chika	.....	180/298
D268,746	S *	4/1983	Greenhalgh et al.	.....	D12/88
D299,705	S *	2/1989	Carpanelli et al.	.....	D12/88
D301,849	S *	6/1989	Oba et al.	.....	D12/87
D312,989	S *	12/1990	Murata et al.	.....	D12/87
D327,237	S *	6/1992	Miyamoto et al.	.....	D12/87

6,702,058	B2 *	3/2004	Ishii et al.	.....	180/311
D500,707	S *	1/2005	Lu	.....	D12/87
D503,658	S *	4/2005	Lu	.....	D12/87
D535,215	S *	1/2007	Turner et al.	.....	D12/87
D549,133	S *	8/2007	LePage	.....	D12/87
2007/0000715	A1 *	1/2007	Denney	.....	180/311

\* cited by examiner

*Primary Examiner*—Sandra Snapp

(74) *Attorney, Agent, or Firm*—Birch, Stewart, Kolasch &  
Birch, LLP

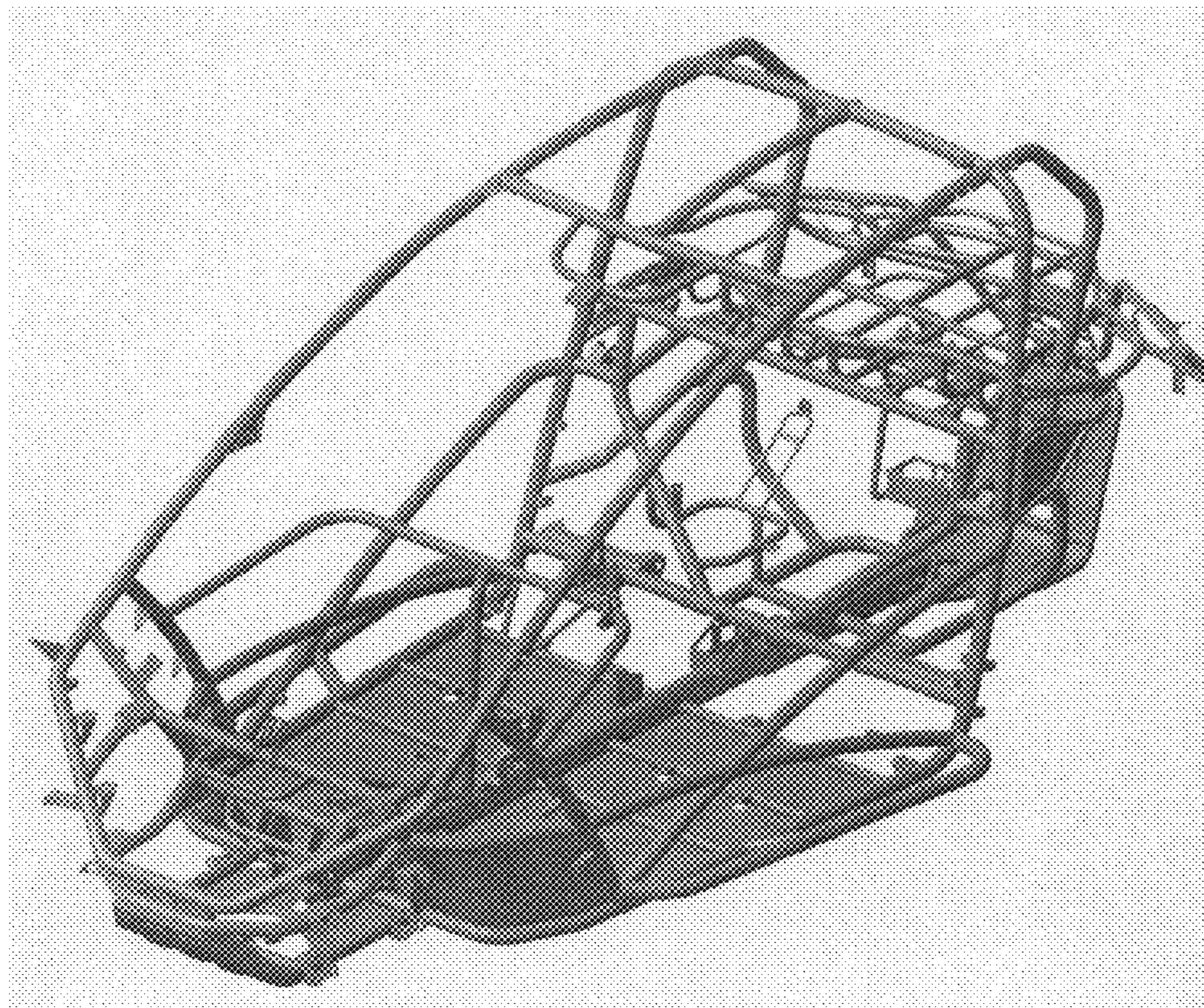
(57) **CLAIM**

The ornamental design for a frame for cross-country car, as shown and described.

**DESCRIPTION**

FIG. 1 is a perspective view of a frame for cross-country car;  
FIG. 2 is a front elevation thereof;  
FIG. 3 is a rear elevation thereof;  
FIG. 4 is a left side elevation thereof;  
FIG. 5 is a right side elevation thereof;  
FIG. 6 is a top plan view thereof; and,  
FIG. 7 is a bottom view thereof.

**1 Claim, 5 Drawing Sheets**



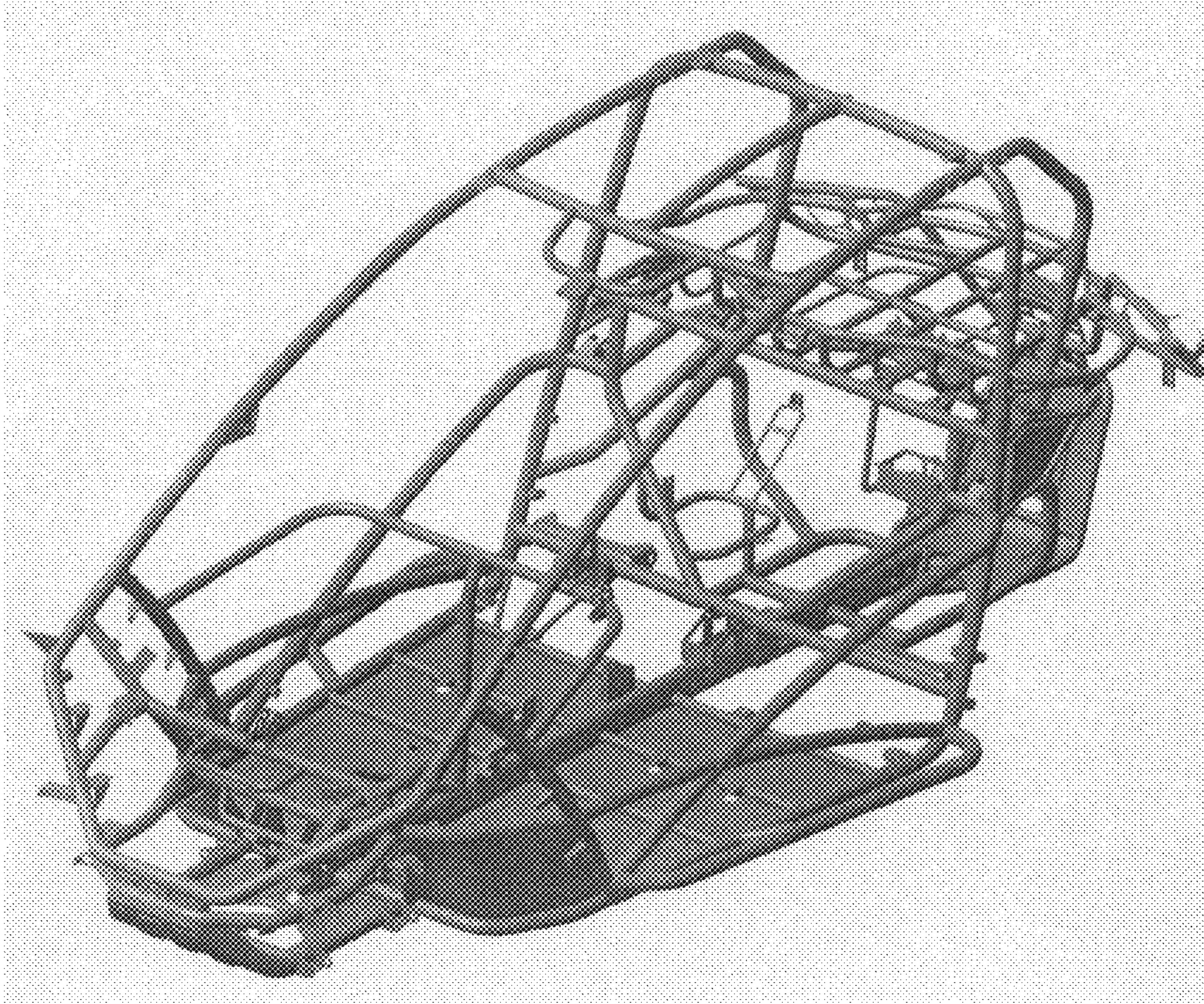


Fig.1

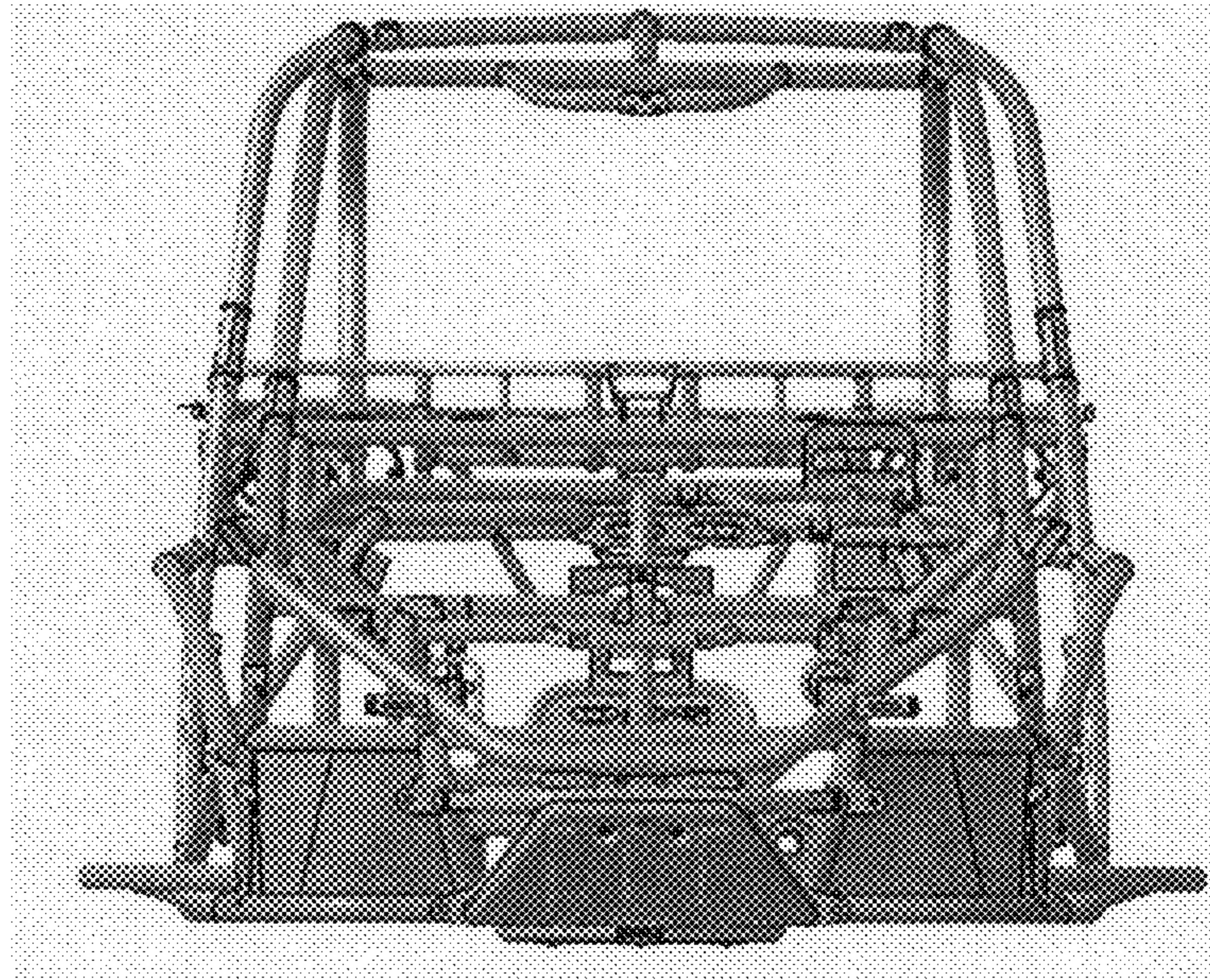


Fig.2

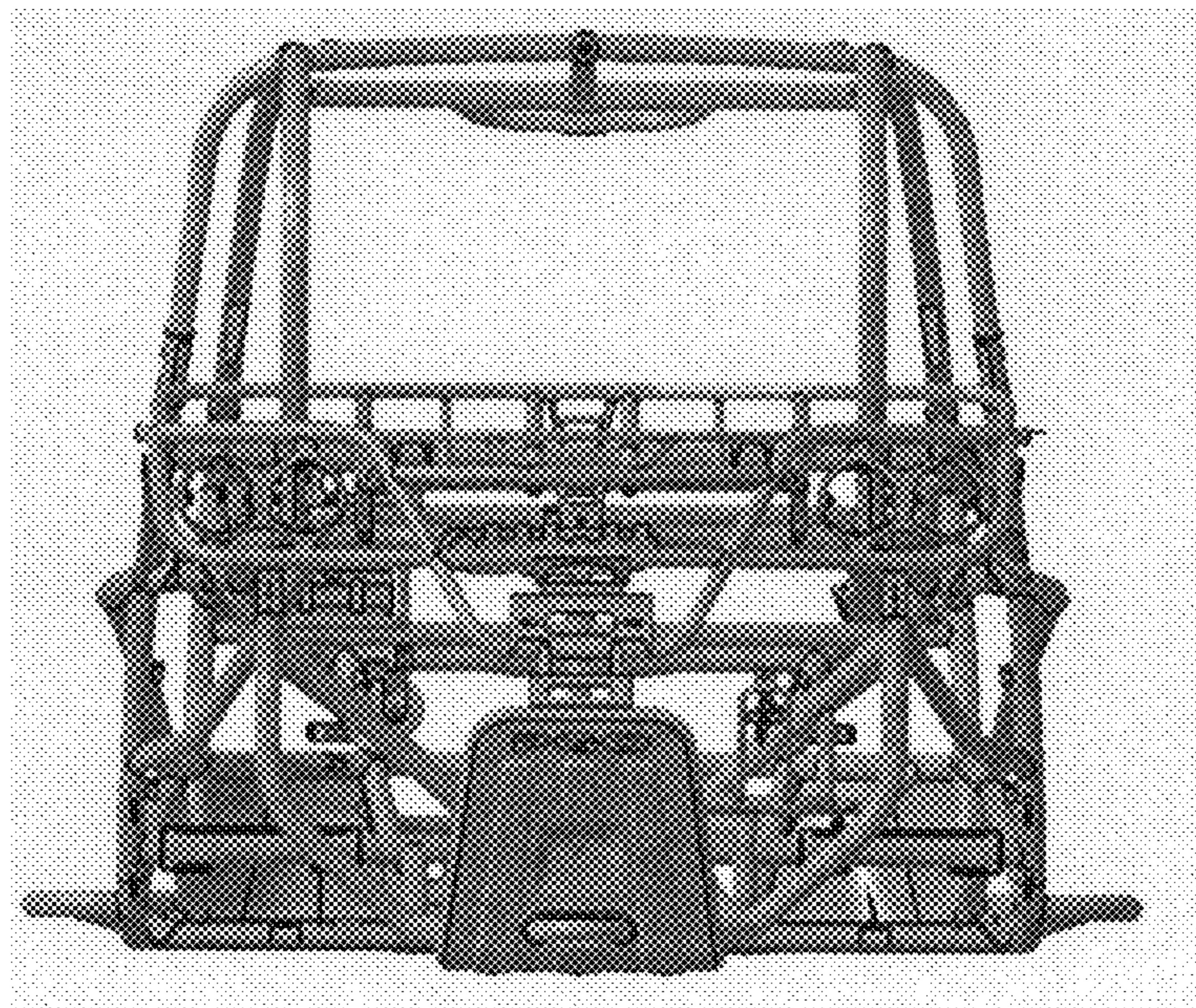


Fig.3

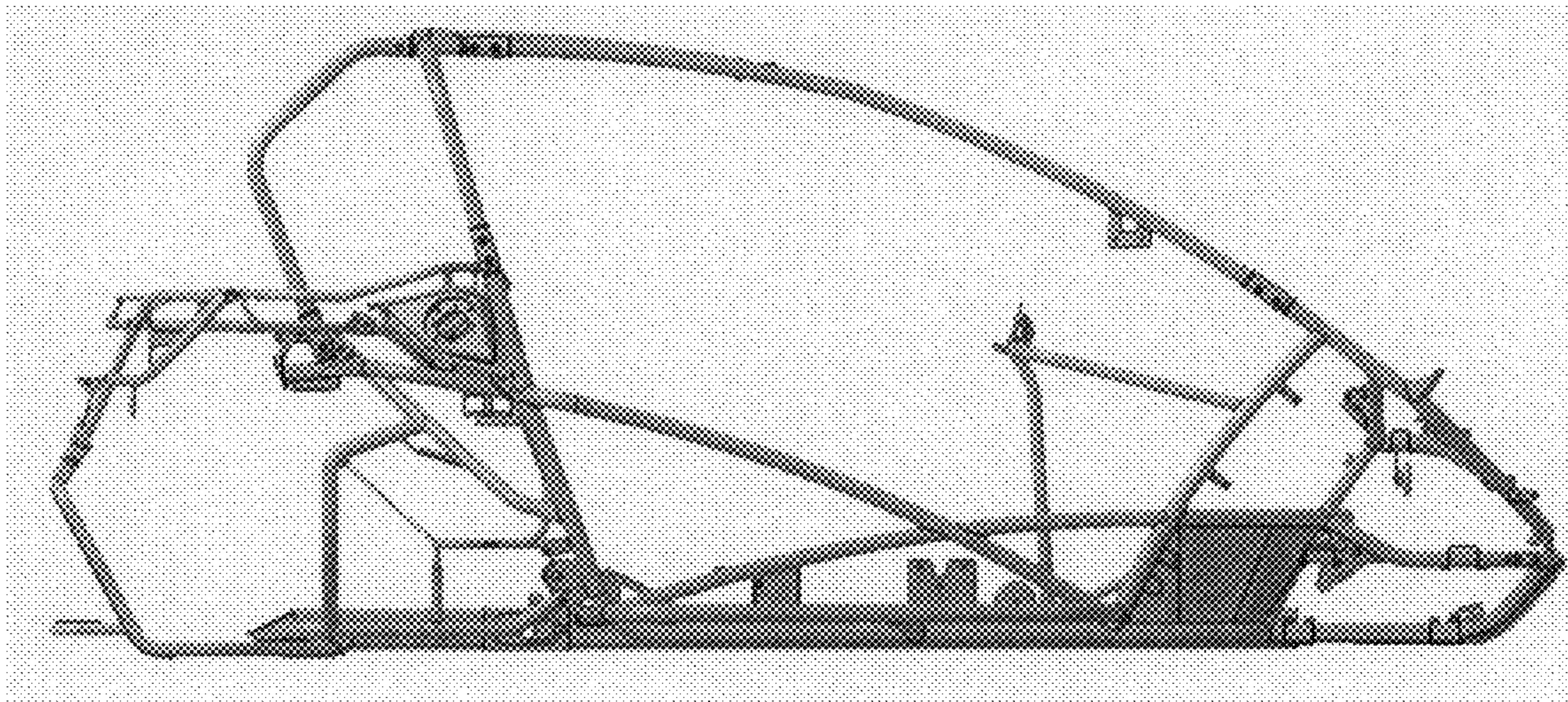


Fig. 4

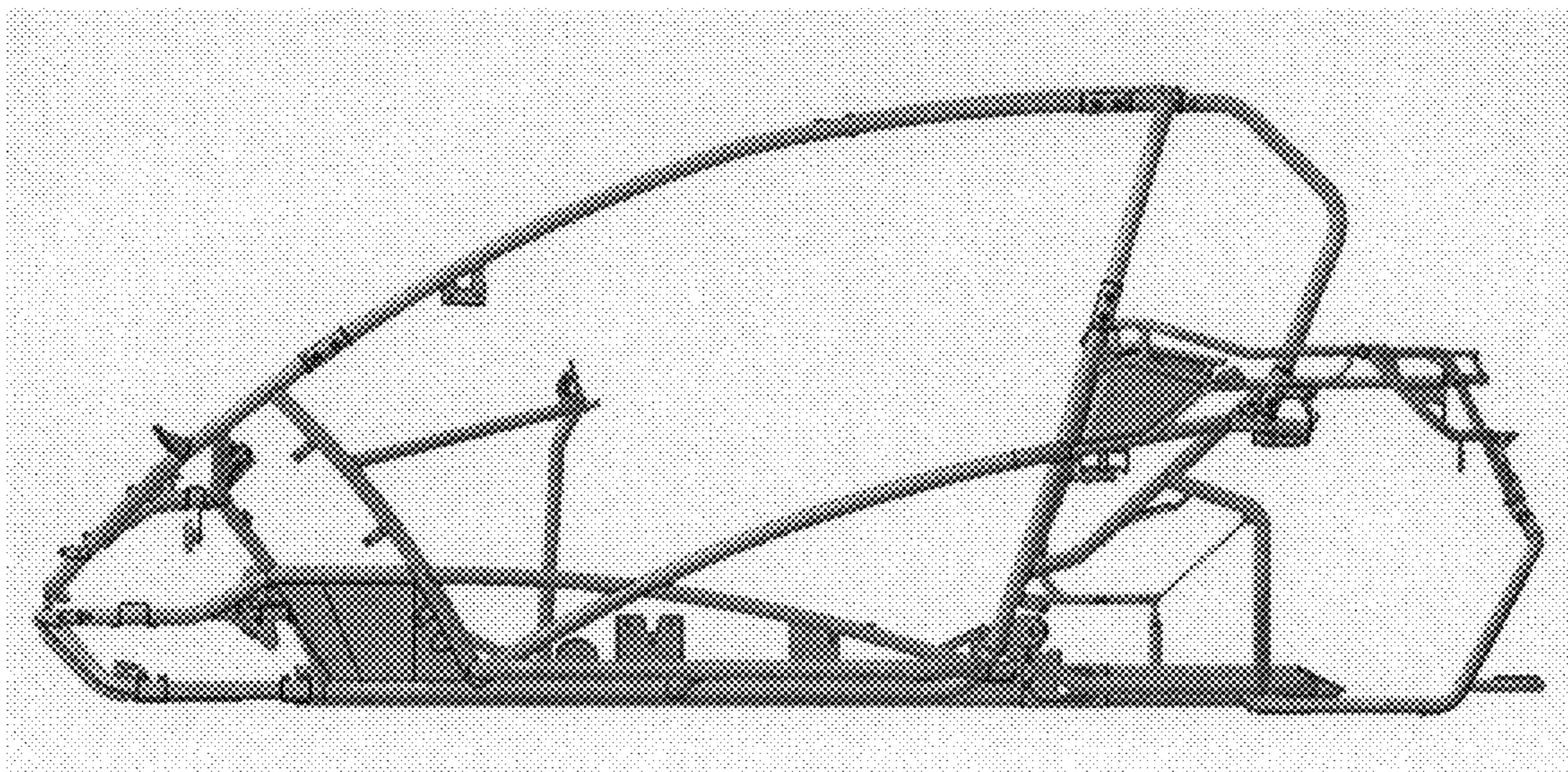


Fig. 5

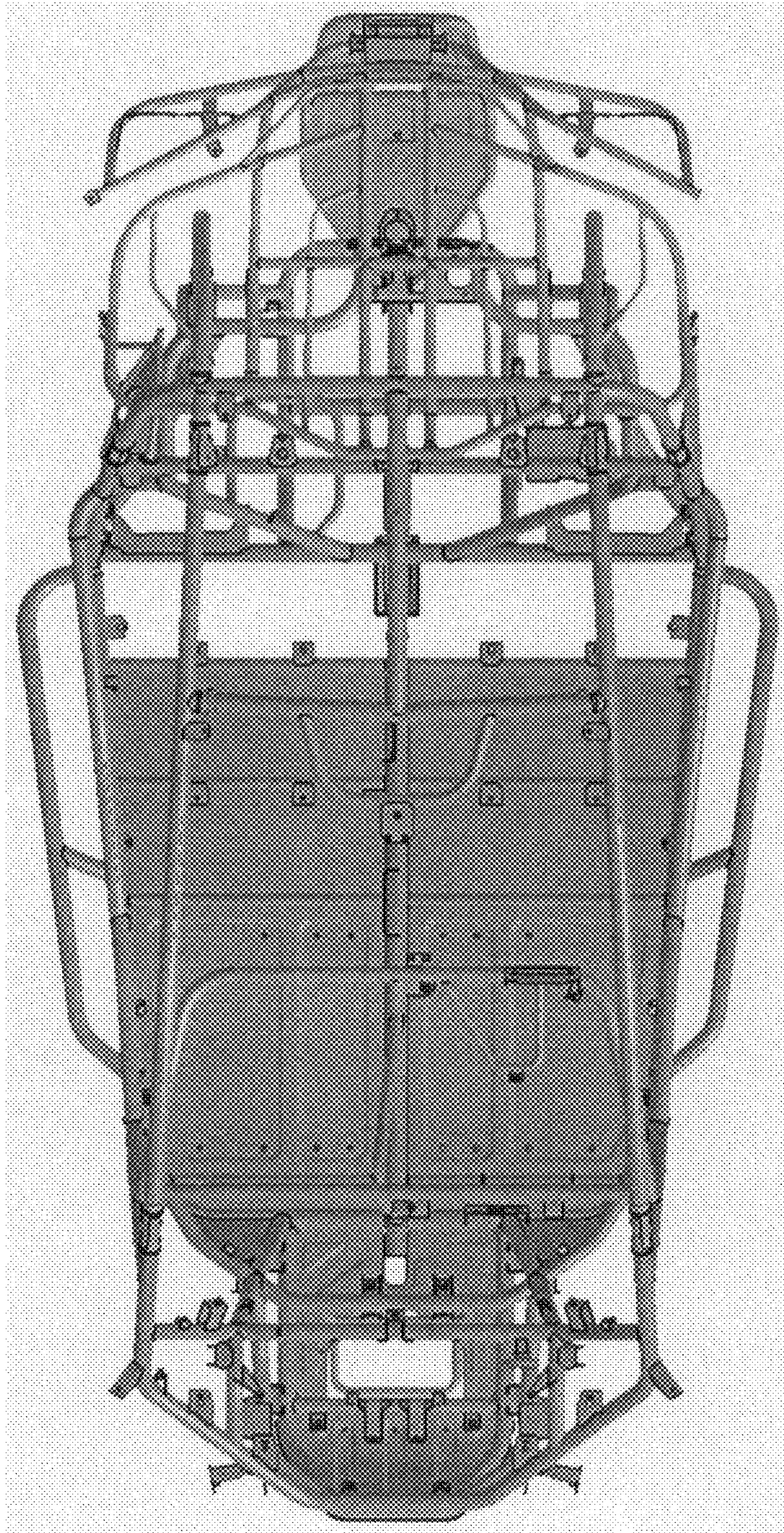


Fig.6

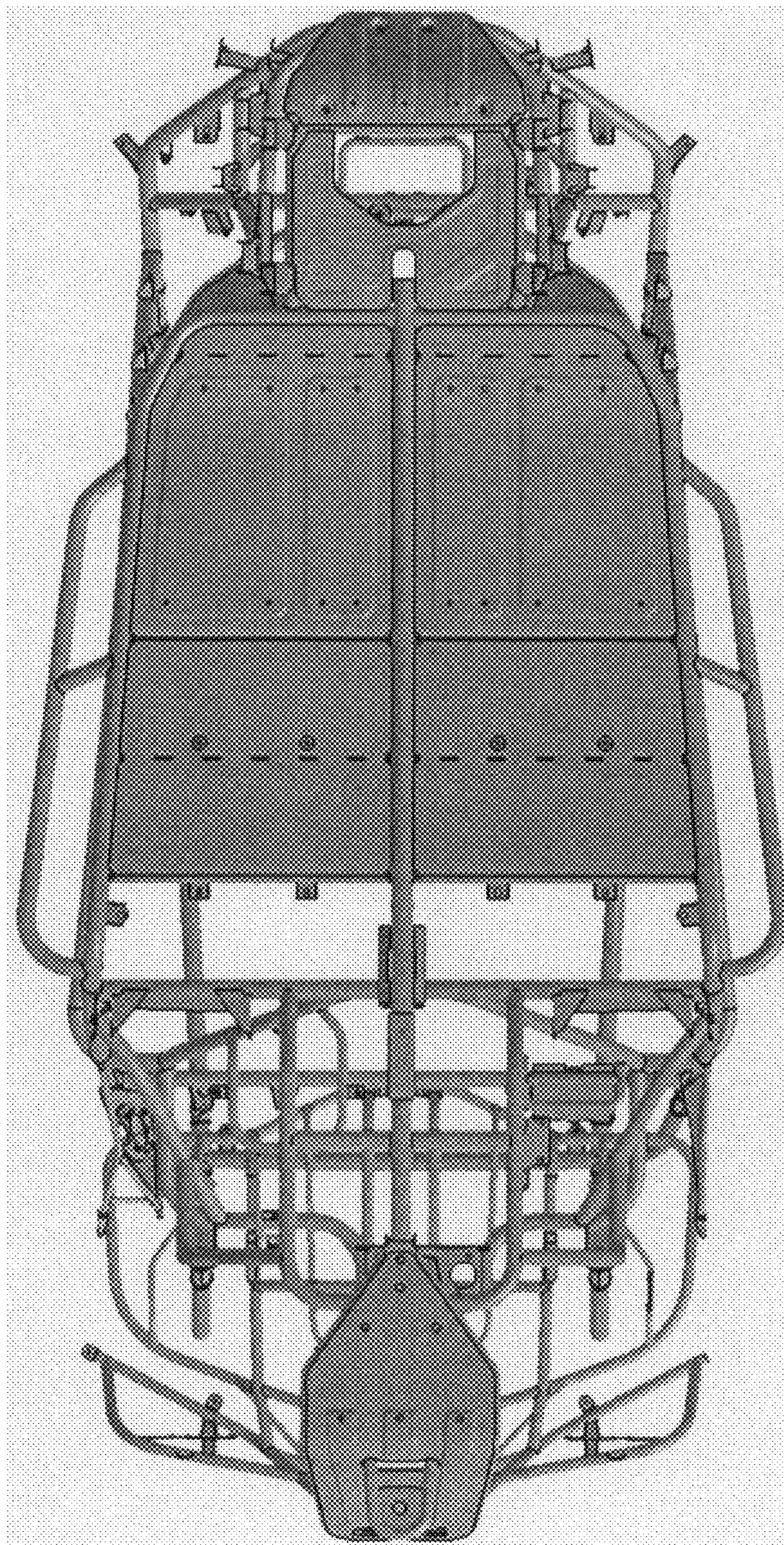


Fig.7