

US00D564407S

(12) **United States Design Patent**  
**Beck**

(10) **Patent No.: US D564,407 S**  
(45) **Date of Patent: \*\* Mar. 18, 2008**

(54) **SECUREMENT STRAP**

(75) Inventor: **Jason Beck**, Peoria, AZ (US)  
(73) Assignee: **Diamondback Tactical, LLLP**, Peoria, AZ (US)

(\*\*) Term: **14 Years**

(21) Appl. No.: **29/265,369**

(22) Filed: **Aug. 29, 2006**

(51) **LOC (8) Cl.** ..... **02-07**

(52) **U.S. Cl.** ..... **D11/200**

(58) **Field of Classification Search** ..... D11/200–201,  
D11/206–210, 214–216, 218; 24/163 R,  
24/169–171, 173, 177–179, 191, 194, 195,  
24/200, 197

See application file for complete search history.

(56) **References Cited**

**U.S. PATENT DOCUMENTS**

D243,227 S \* 2/1977 Schattner ..... D8/336  
D378,070 S \* 2/1997 Hurd ..... D11/215  
D390,160 S \* 2/1998 Milligan et al. .... D11/216  
D463,325 S \* 9/2002 Savoia ..... D11/200

\* cited by examiner

*Primary Examiner*—Ralf Seifert

(74) *Attorney, Agent, or Firm*—Snell & Wilmer, L.L.P.

(57) **CLAIM**

The ornamental design for a securement strap, as shown and described.

**DESCRIPTION**

FIG. 1 is a perspective view of a securement strap showing my new ornamental design, the buckle shown in broken lines and is not part of the claimed design;

FIG. 2 is a front view of the securement strap shown in FIG. 1;

FIG. 3 is a rear view of the securement strap shown in FIG. 1;

FIG. 4 is a right side view of the securement strap shown in FIG. 1;

FIG. 5 is a left side view of the securement strap shown in FIG. 1;

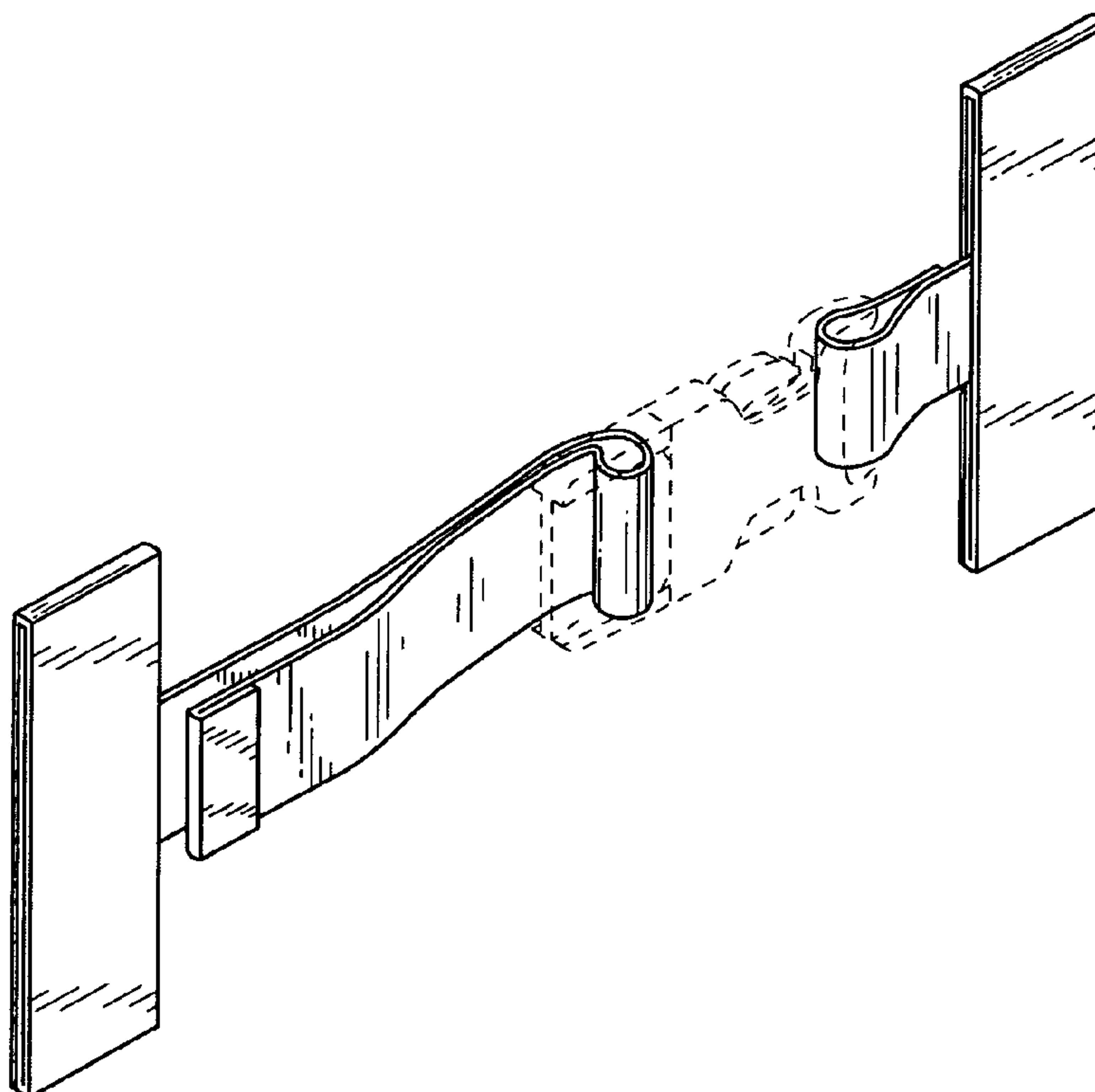
FIG. 6 is a top view of the securement strap shown in FIG. 1;

FIG. 7 is a bottom view of the securement strap shown in FIG. 1; and,

FIG. 8 is a perspective view of the securement strap attached between portions of a vest as worn by a person, the vest and the person shown in broken lines, the vest and the person are to show environment and are not part of the claimed design.

The broken lines showing on the securement strap are understood to represent a buckle, and are not part of the claimed design.

**1 Claim, 4 Drawing Sheets**



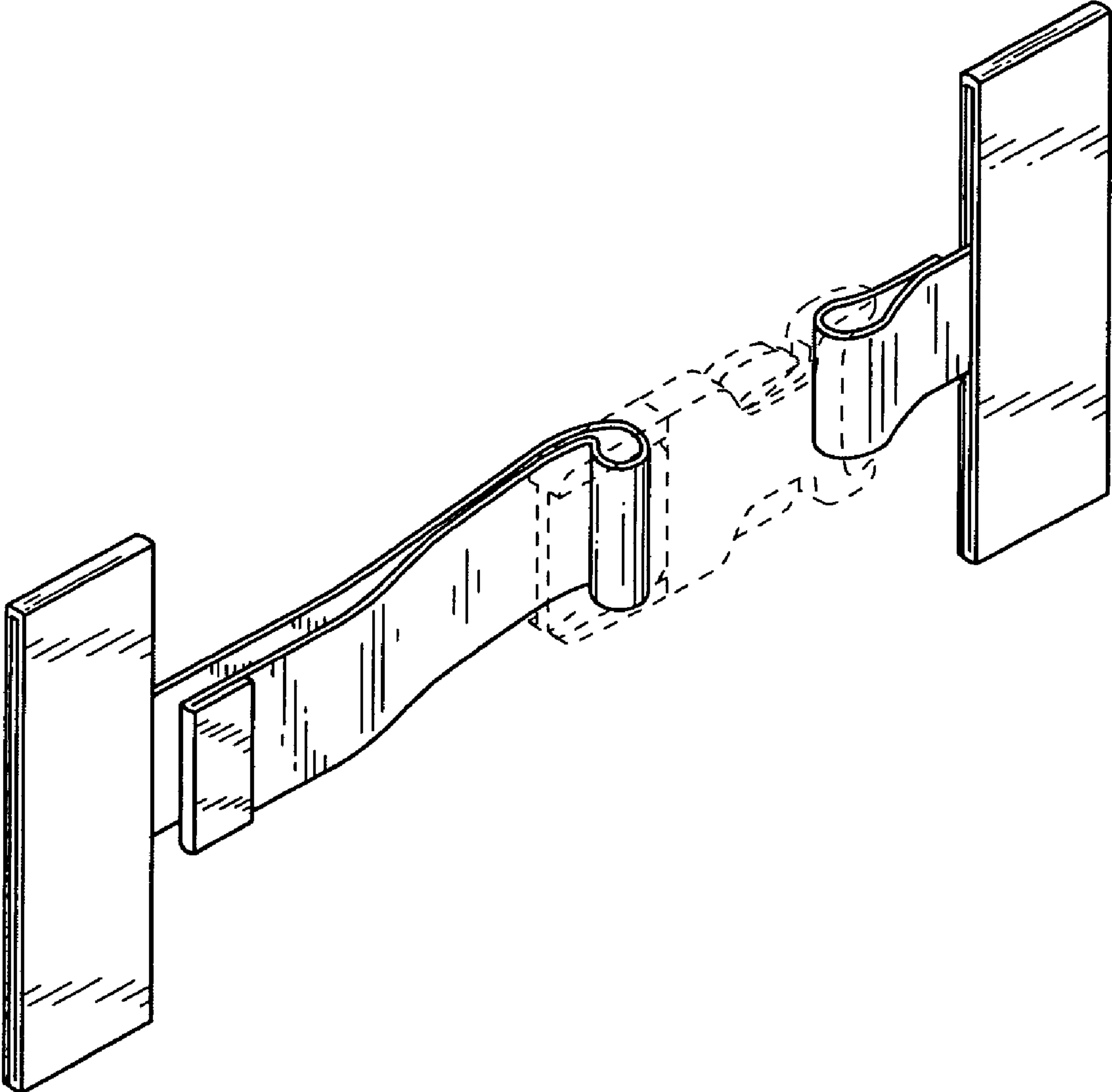


FIG.1

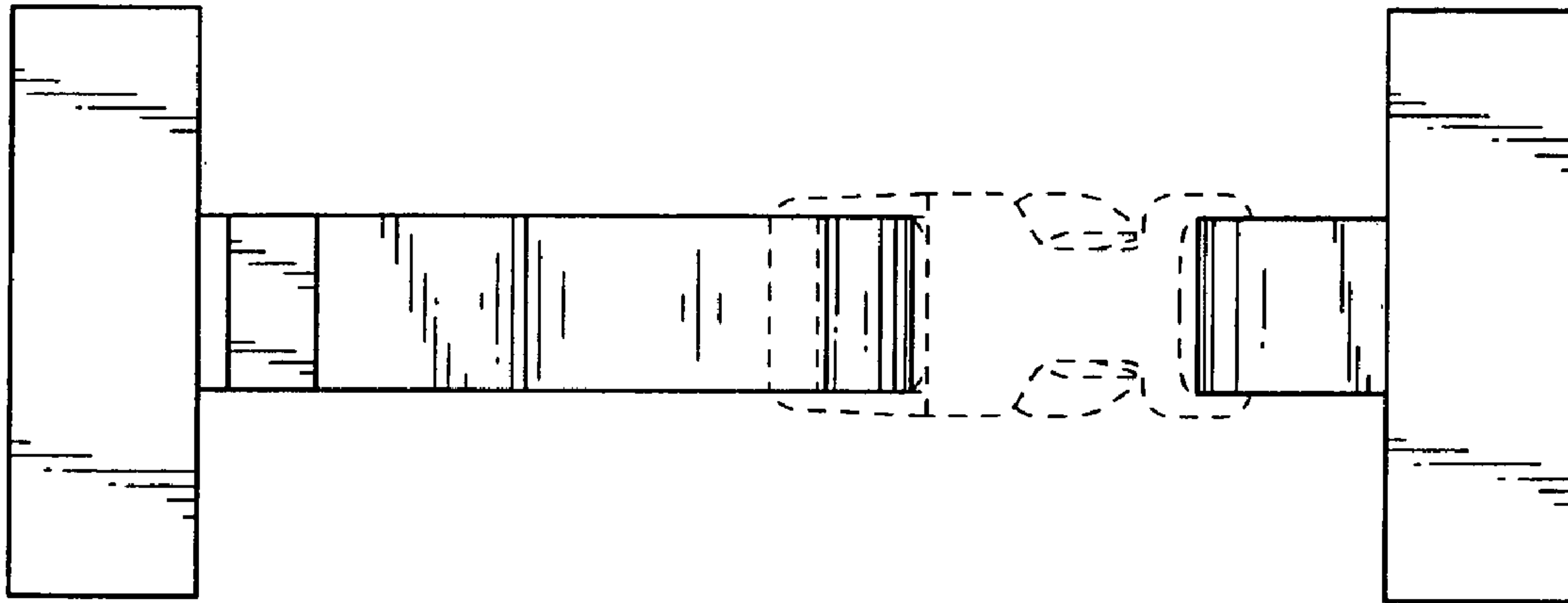


FIG. 2

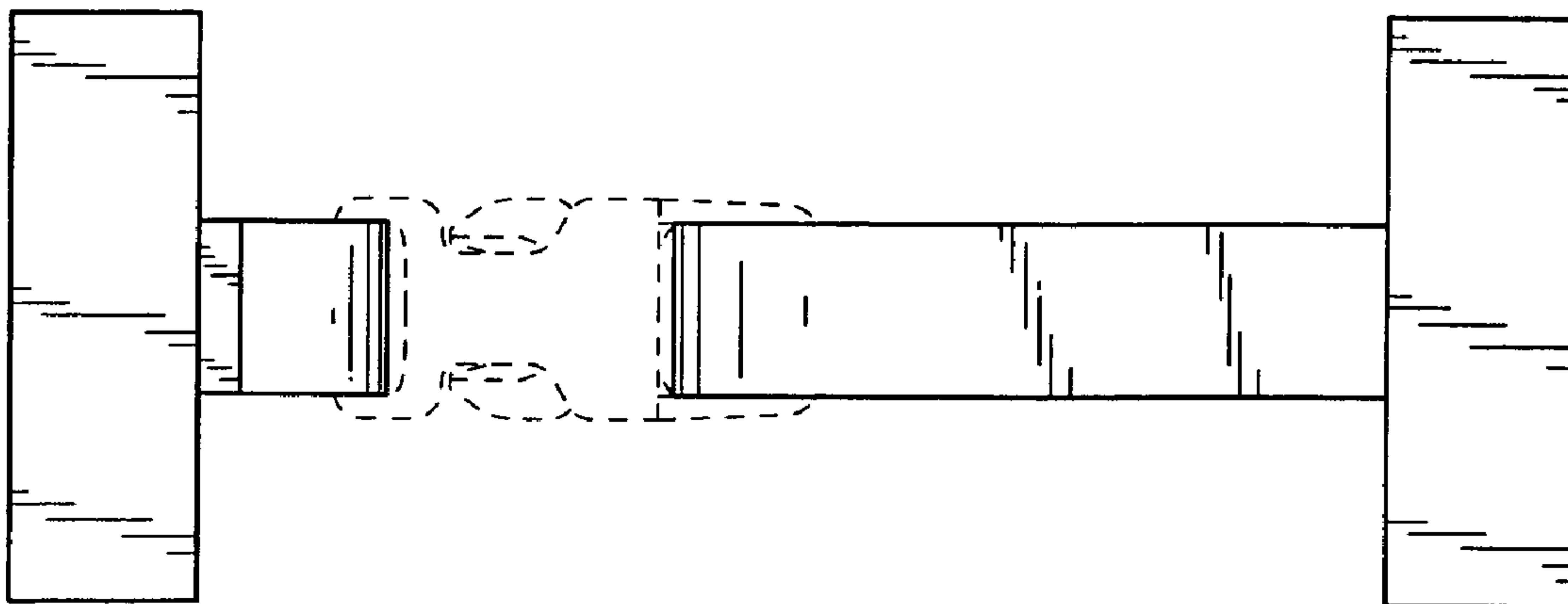


FIG. 3



FIG. 4



FIG. 5

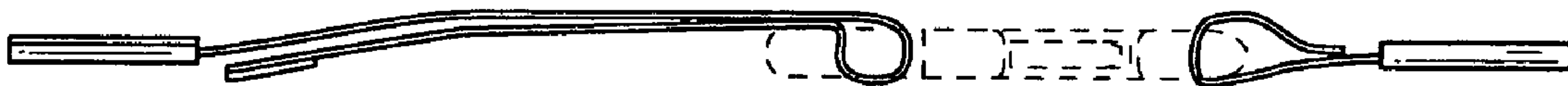


FIG. 6



FIG. 7

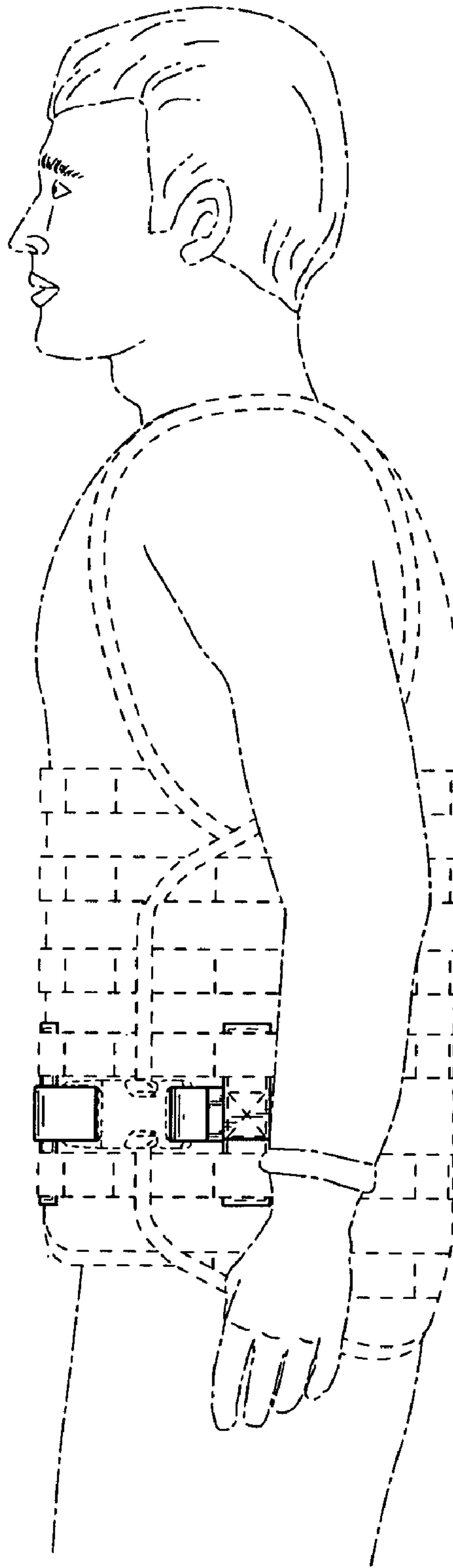


FIG.8