



US00D564406S

(12) **United States Design Patent**
Chandler

(10) **Patent No.:** **US D564,406 S**

(45) **Date of Patent:** **** Mar. 18, 2008**

(54) **HEAD RESTRAINT STRAP FOR VEHICLE
CAR SEATS**

(76) Inventor: **George Chandler**, 643 Broadway #171,
Saugus, MA (US) 01906

(**) Term: **14 Years**

(21) Appl. No.: **29/257,632**

(22) Filed: **Apr. 10, 2006**

(51) **LOC (8) Cl.** **02-07**

(52) **U.S. Cl.** **D11/200; D29/102**

(58) **Field of Classification Search** D11/200-201;
D29/102; 2/909, 918, 411, 413, 421; 602/17
See application file for complete search history.

(56) **References Cited**

U.S. PATENT DOCUMENTS

4,354,282	A *	10/1982	Langdon	2/115
4,675,919	A *	6/1987	Heine et al.	2/410
4,698,852	A *	10/1987	Romero	2/171
5,075,893	A *	12/1991	Epstein et al.	372/108
D370,309	S *	5/1996	Stucky	D29/102
5,678,715	A *	10/1997	Sjostedt et al.	220/1.5
5,946,734	A *	9/1999	Vogan	2/412

6,438,761	B1 *	8/2002	McGarrity	2/410
6,625,820	B1 *	9/2003	Lampe	2/425
D484,437	S *	12/2003	Doyon	D11/200
D508,659	S *	8/2005	Fang	D11/200
D508,871	S *	8/2005	Fang	D11/200

* cited by examiner

Primary Examiner—Ralf Seifert

(57) **CLAIM**

The ornamental design for a head restraint strap for vehicle car seats, as shown and described.

DESCRIPTION

FIG. 1 is a perspective view of a head restraint strap for vehicle car seats showing my new design;

FIG. 2 is a front elevational view thereof;

FIG. 3 is a rear elevational view thereof;

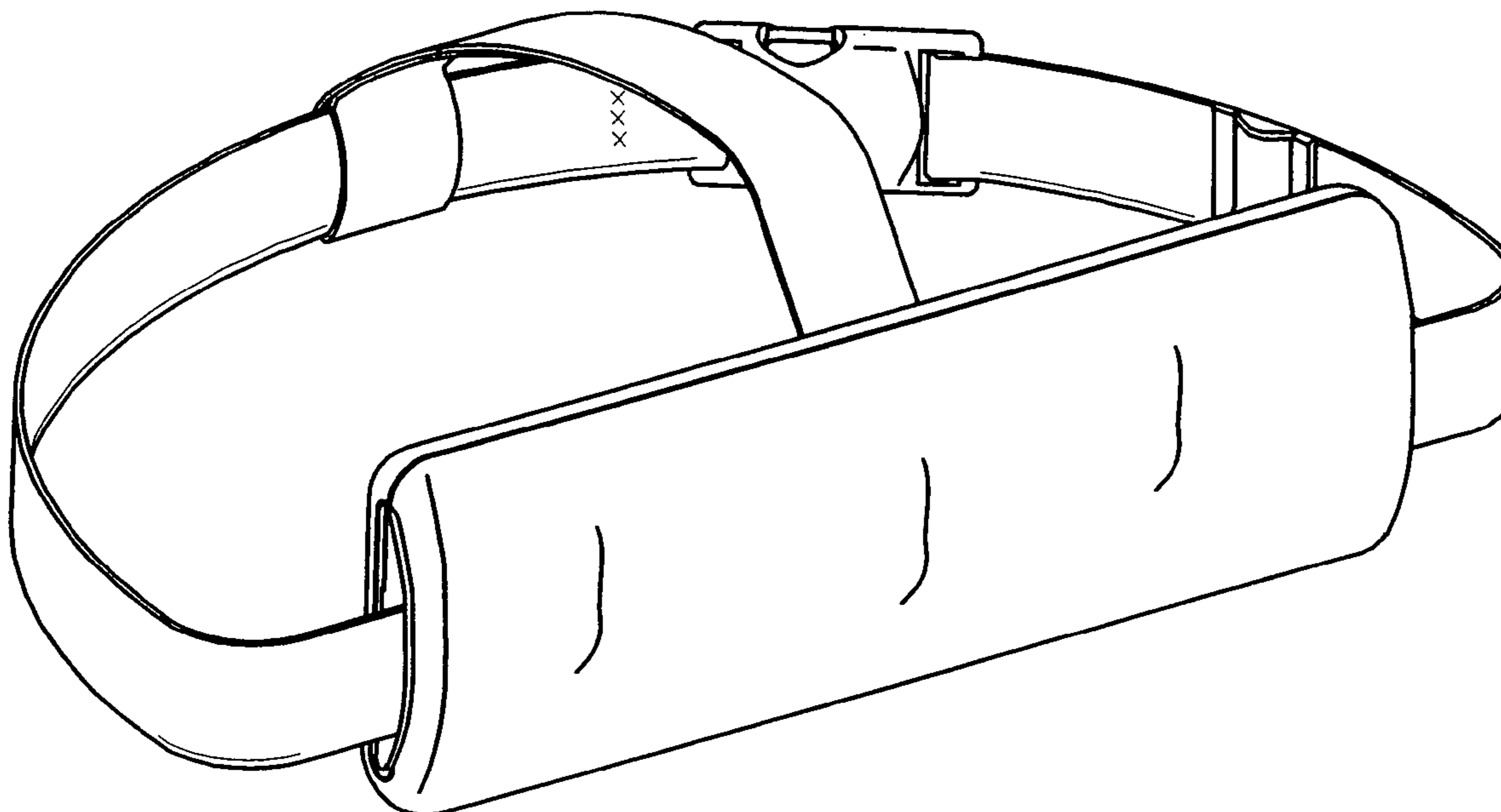
FIG. 4 is a right side elevational view thereof;

FIG. 5 is a left side elevational view thereof;

FIG. 6 is a top plan view thereof; and,

FIG. 7 is a bottom plan view thereof.

1 Claim, 5 Drawing Sheets



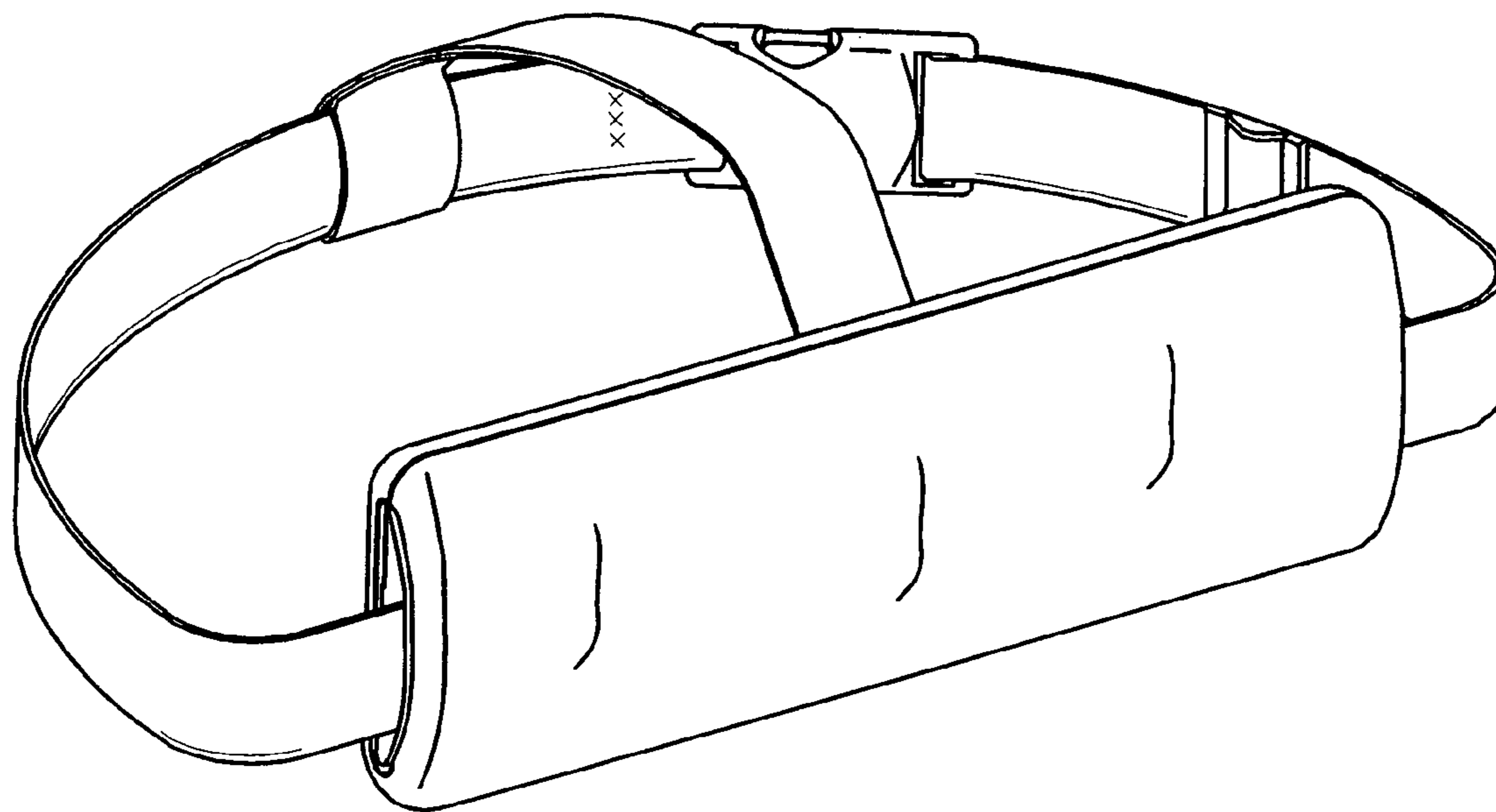


FIG. 1

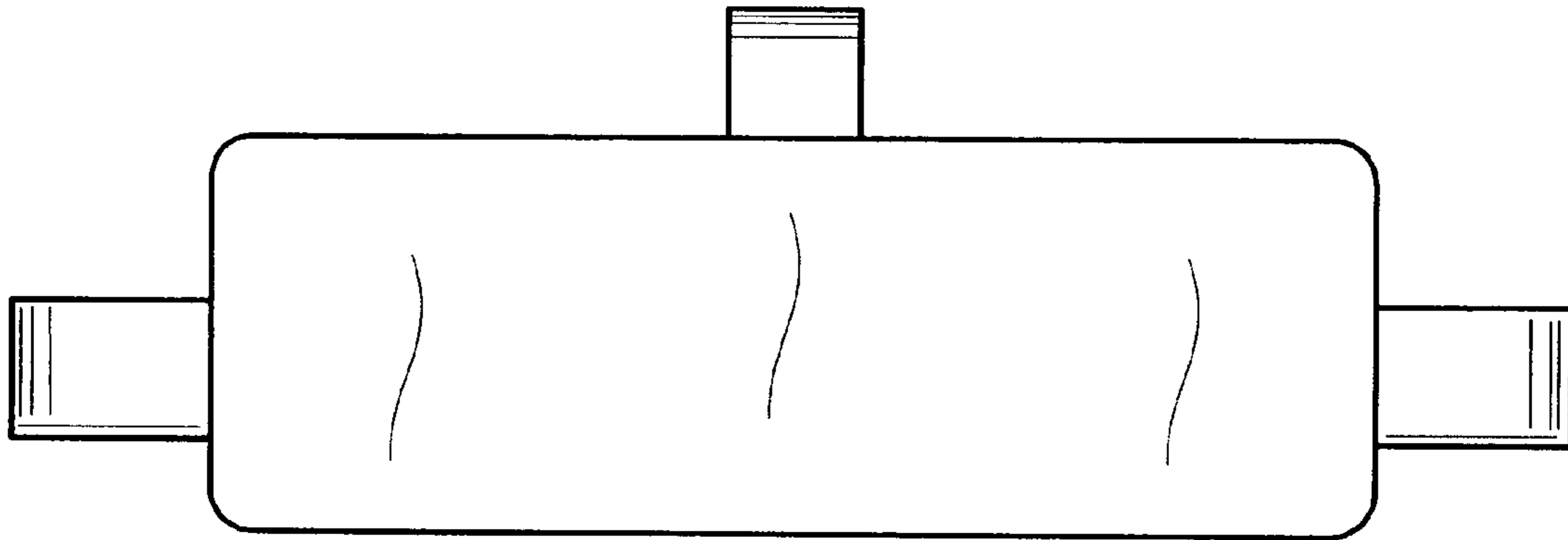


FIG. 2

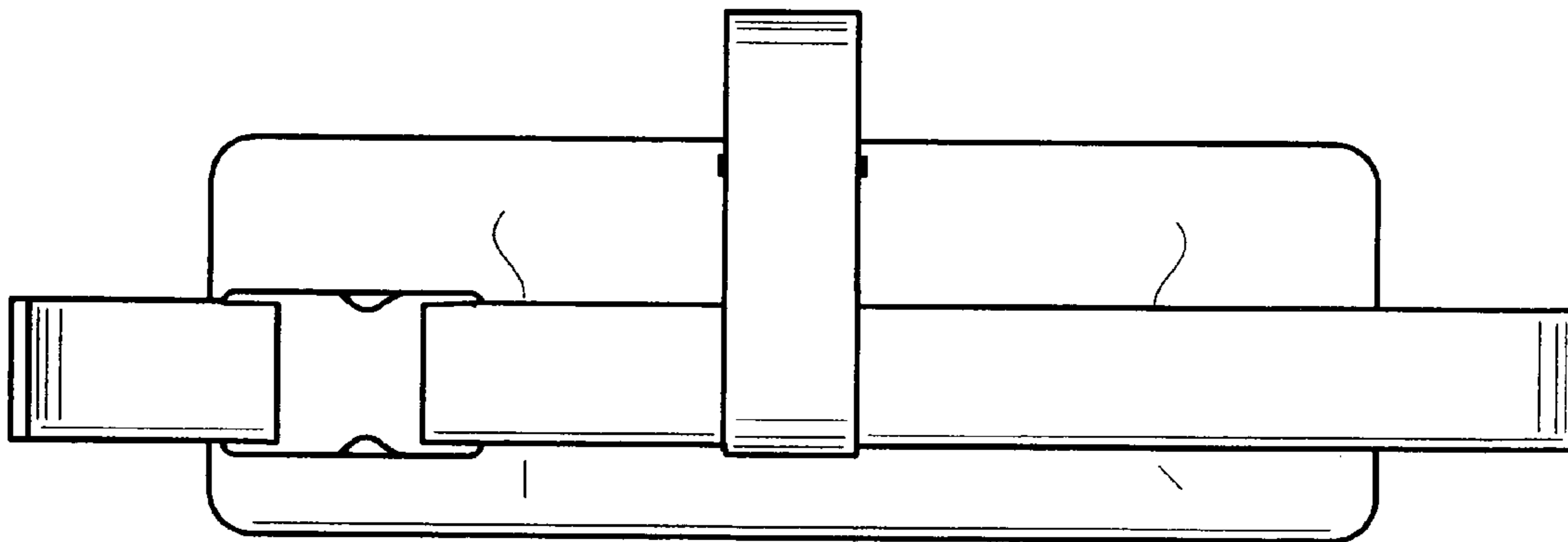


FIG. 3

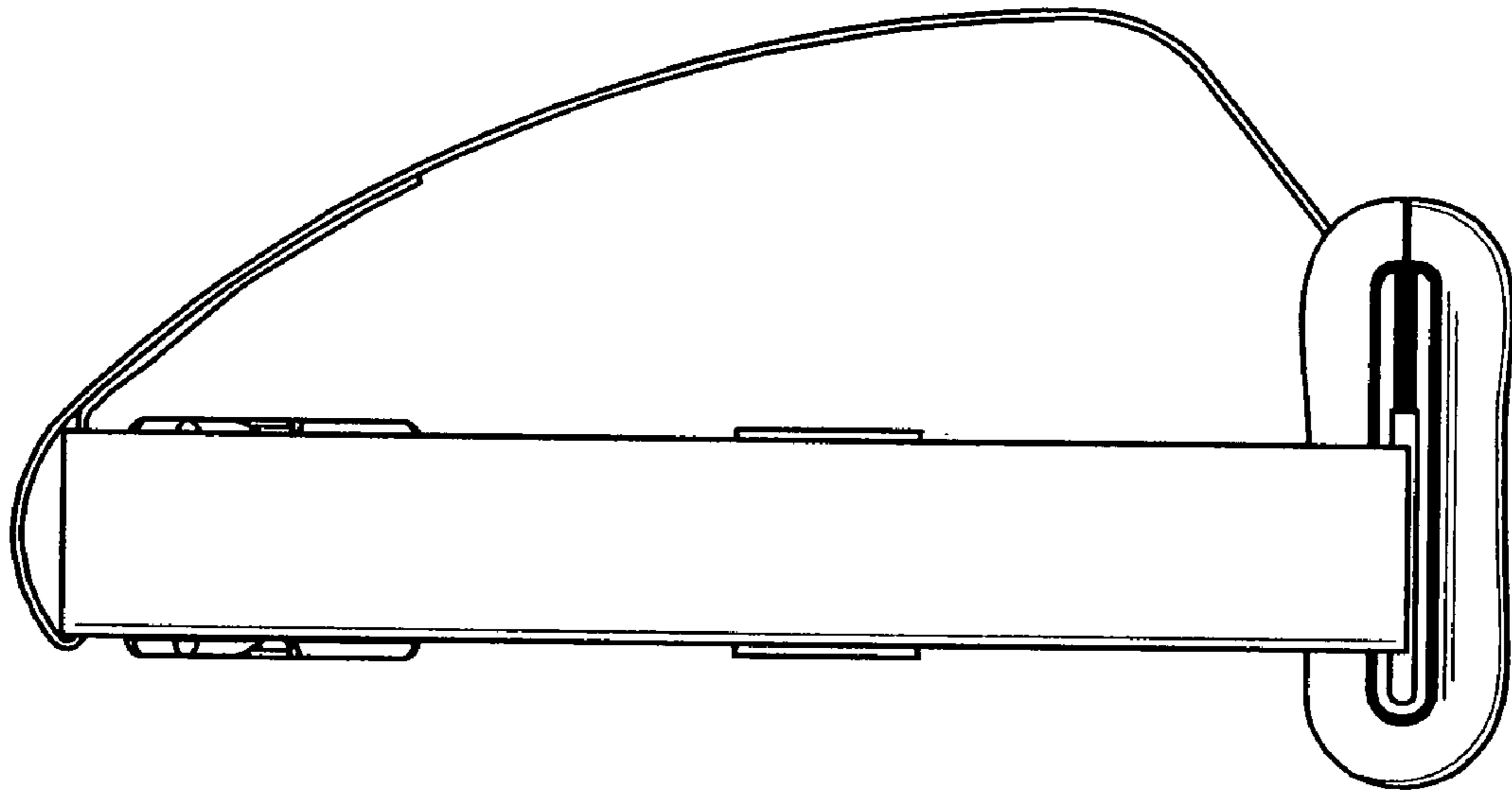


FIG. 4

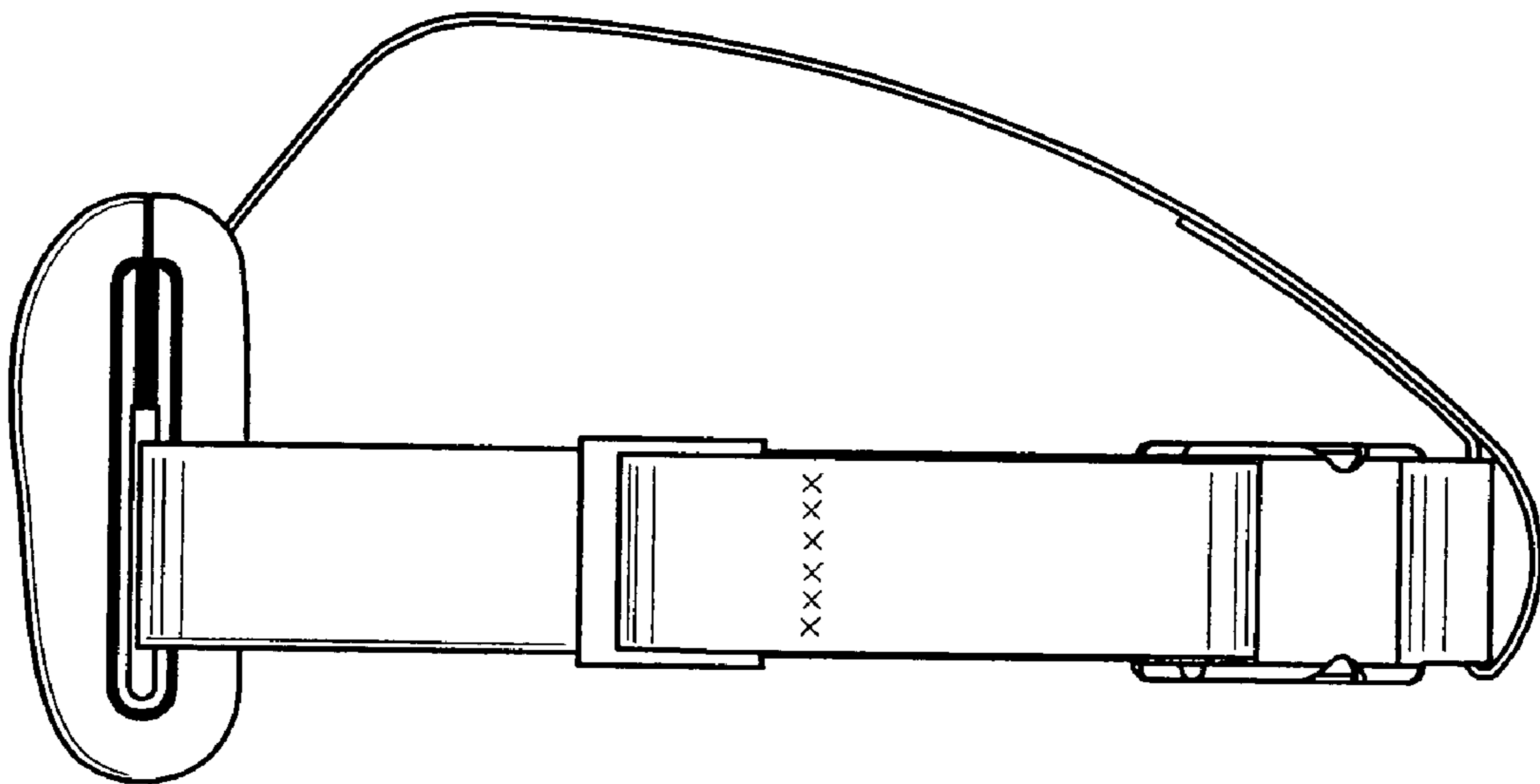


FIG. 5

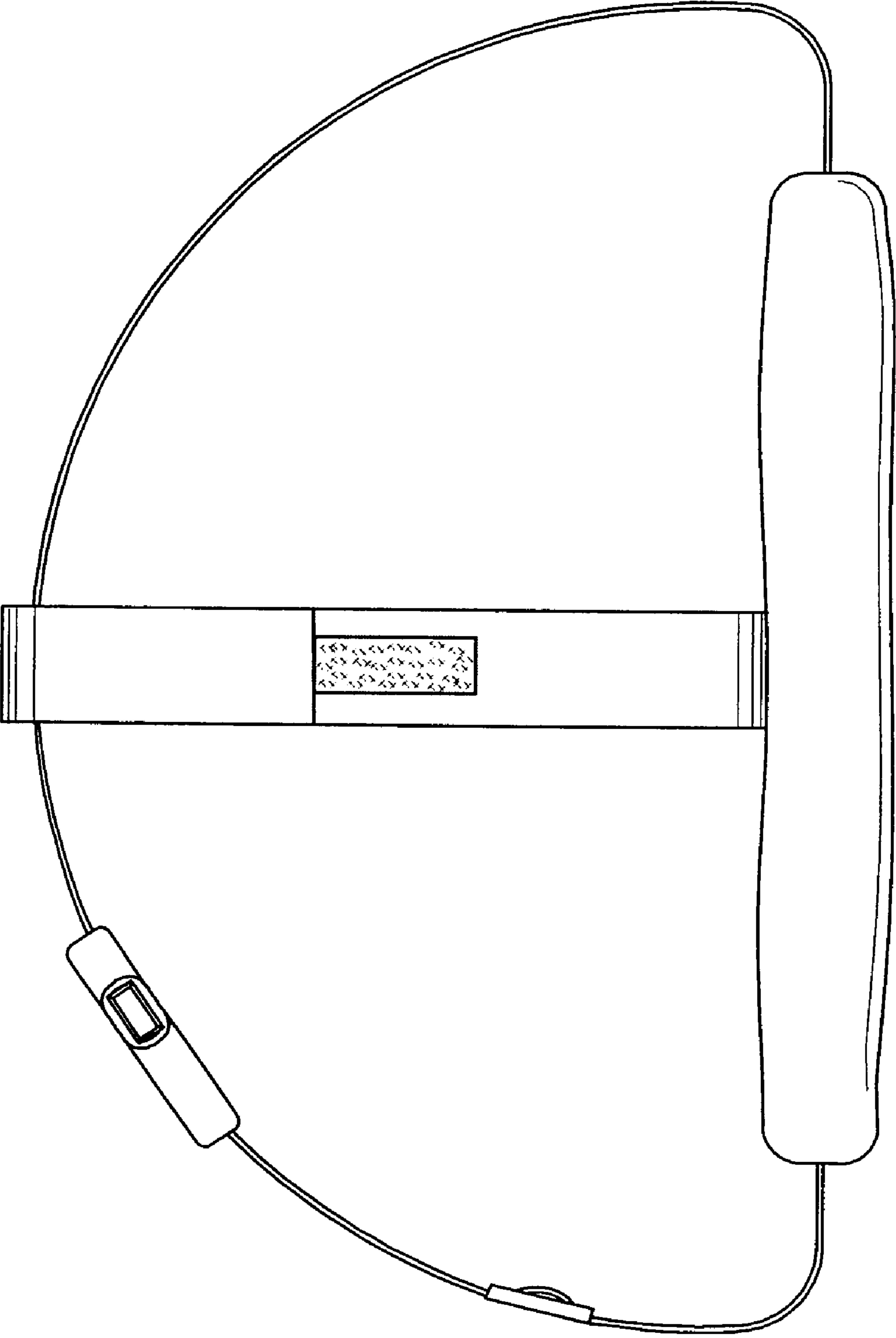


FIG. 6

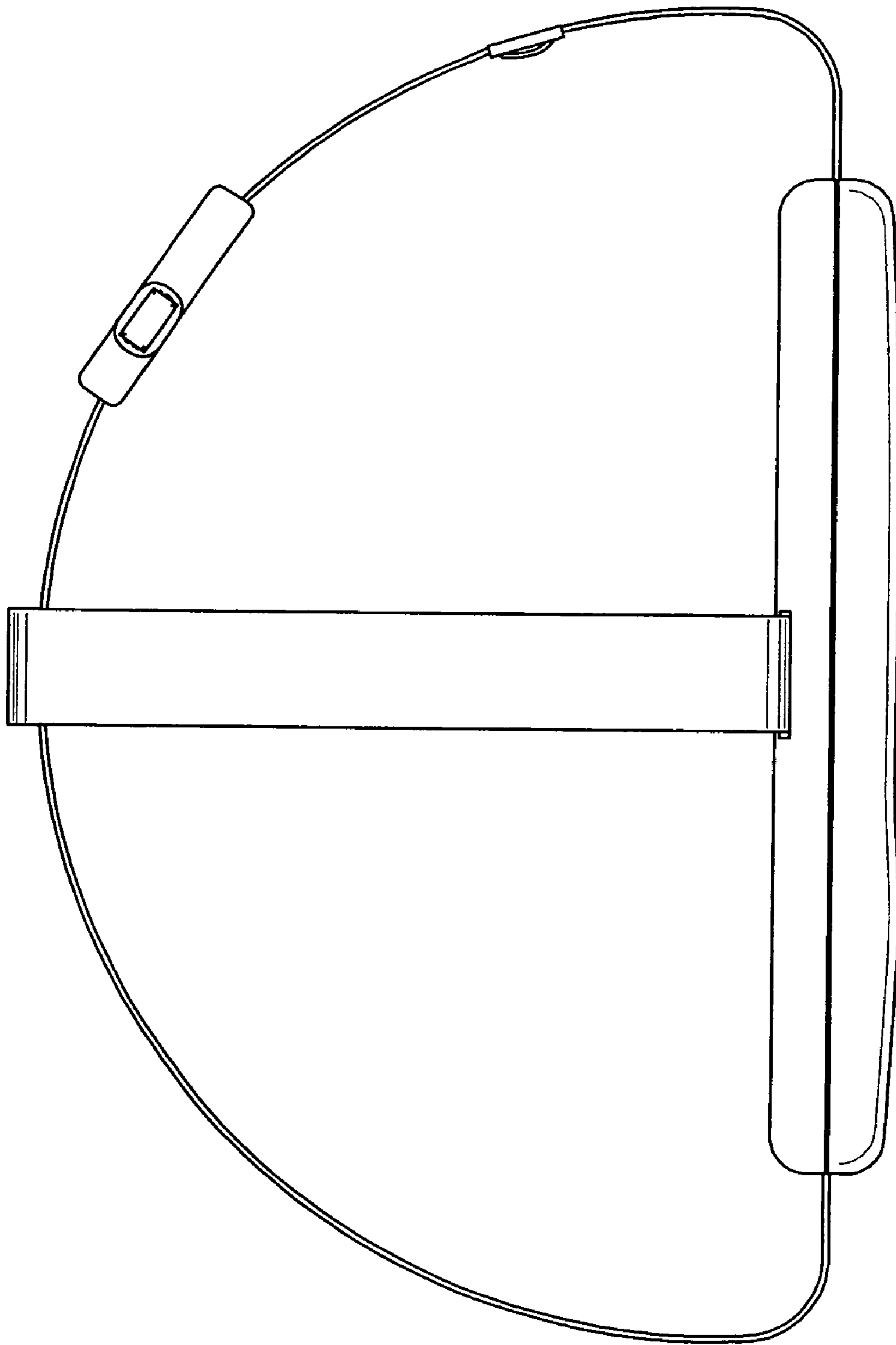


FIG. 7