



US00D564394S

(12) **United States Design Patent**  
**Schmidt**

(10) **Patent No.:** **US D564,394 S**

(45) **Date of Patent:** **\*\* Mar. 18, 2008**

(54) **PLANT POT**

(75) Inventor: **Guido Schmidt**, Dinklage (DE)

(73) Assignee: **Poeppelmann Holding GmbH & Co. KG**, Lohne (DE)

(\*\*) Term: **14 Years**

(21) Appl. No.: **29/276,828**

(22) Filed: **Feb. 7, 2007**

(51) **LOC (8) Cl.** ..... **11-02**

(52) **U.S. Cl.** ..... **D11/152**

(58) **Field of Classification Search** ..... D6/556-558;  
D7/516, 517, 520, 562; D11/142-156; D19/75,  
D19/77, 80-82, 84; D26/9, 16; 47/33, 39,  
47/41.01, 41.1, 41.11-41.13, 41.15, 65.5,  
47/66.1, 66.6, 66.7, 67-71

See application file for complete search history.

(56) **References Cited**

**U.S. PATENT DOCUMENTS**

D110,286 S *	6/1938	Krehbiel .....	D11/152
D198,040 S *	4/1964	Bonham et al. ....	D11/147
D340,674 S *	10/1993	Carlson .....	D11/152
D360,850 S *	8/1995	Grosfillex .....	D11/152
D366,855 S *	2/1996	Deelen .....	D11/152
D368,234 S *	3/1996	Dickinson et al. ....	D11/152
D399,452 S *	10/1998	Durbin .....	D11/152
D405,387 S *	2/1999	Masello .....	D11/152
D409,945 S *	5/1999	Hensen .....	D11/152
D458,807 S *	6/2002	Trazzi .....	D7/523
6,510,653 B1 *	1/2003	Workum et al. ....	47/65.5
D475,243 S *	6/2003	Trazzi .....	D7/523

\* cited by examiner

*Primary Examiner*—Robert M. Spear  
*Assistant Examiner*—Garth Rademaker

(74) *Attorney, Agent, or Firm*—Porter, Wright, Morris & Arthur, LLP

(57) **CLAIM**

The ornamental design for a plant pot, as shown and described.

**DESCRIPTION**

FIG. 1 is a perspective view of a plant pot according to my new design;

FIG. 2 is a right side elevational view thereof;

FIG. 3 is a top plan view thereof;

FIG. 4 is a bottom plan view thereof;

FIG. 5 is a perspective view of a second embodiment of a plant pot according to my new design;

FIG. 6 is a right side elevational view thereof;

FIG. 7 is a top plan view thereof;

FIG. 8 is a bottom plan view thereof;

FIG. 9 is a perspective view of a third embodiment of a plant pot according to my new design;

FIG. 10 is a right side elevational view thereof;

FIG. 11 is a top plan view thereof;

FIG. 12 is a bottom plan view thereof;

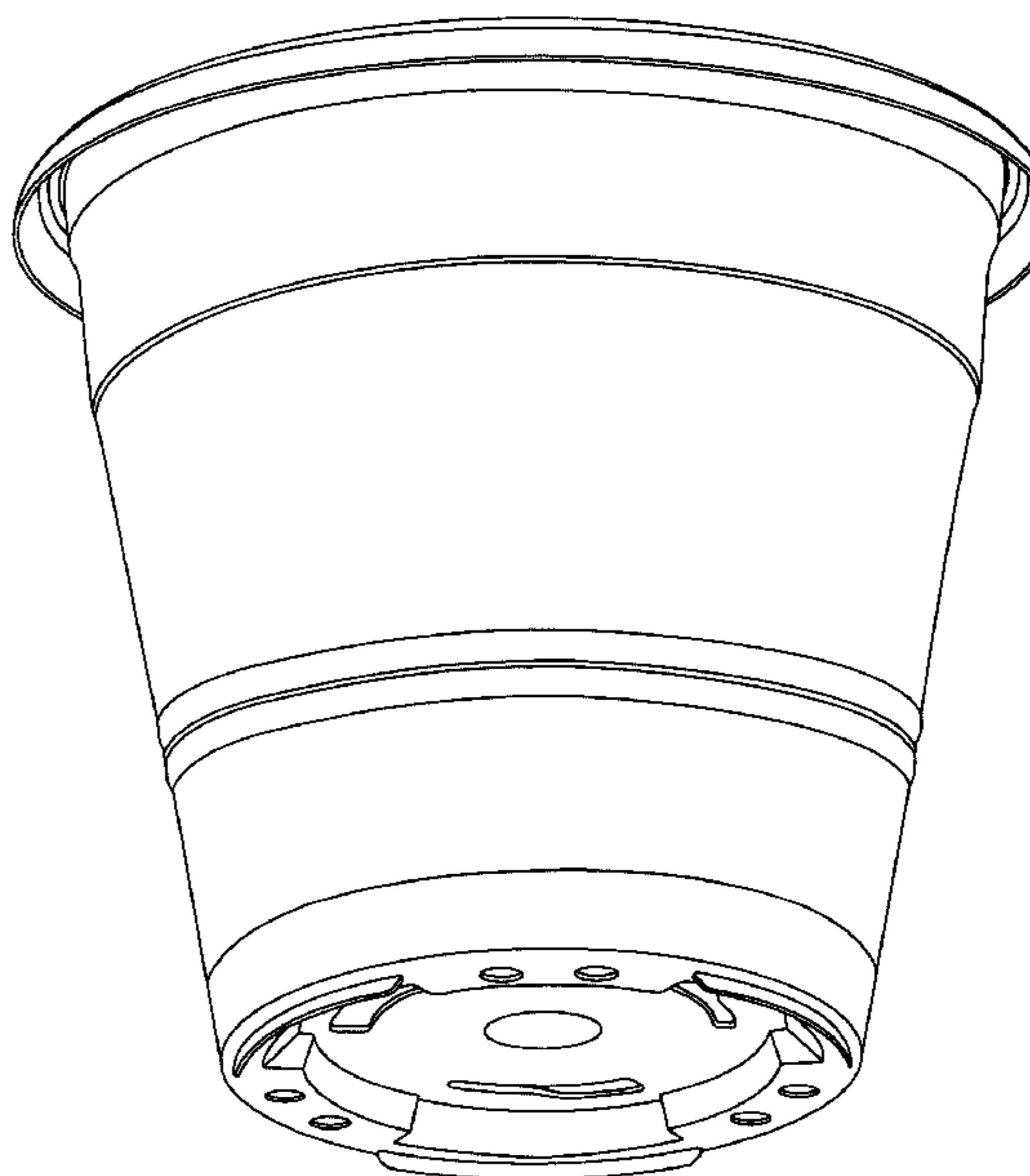
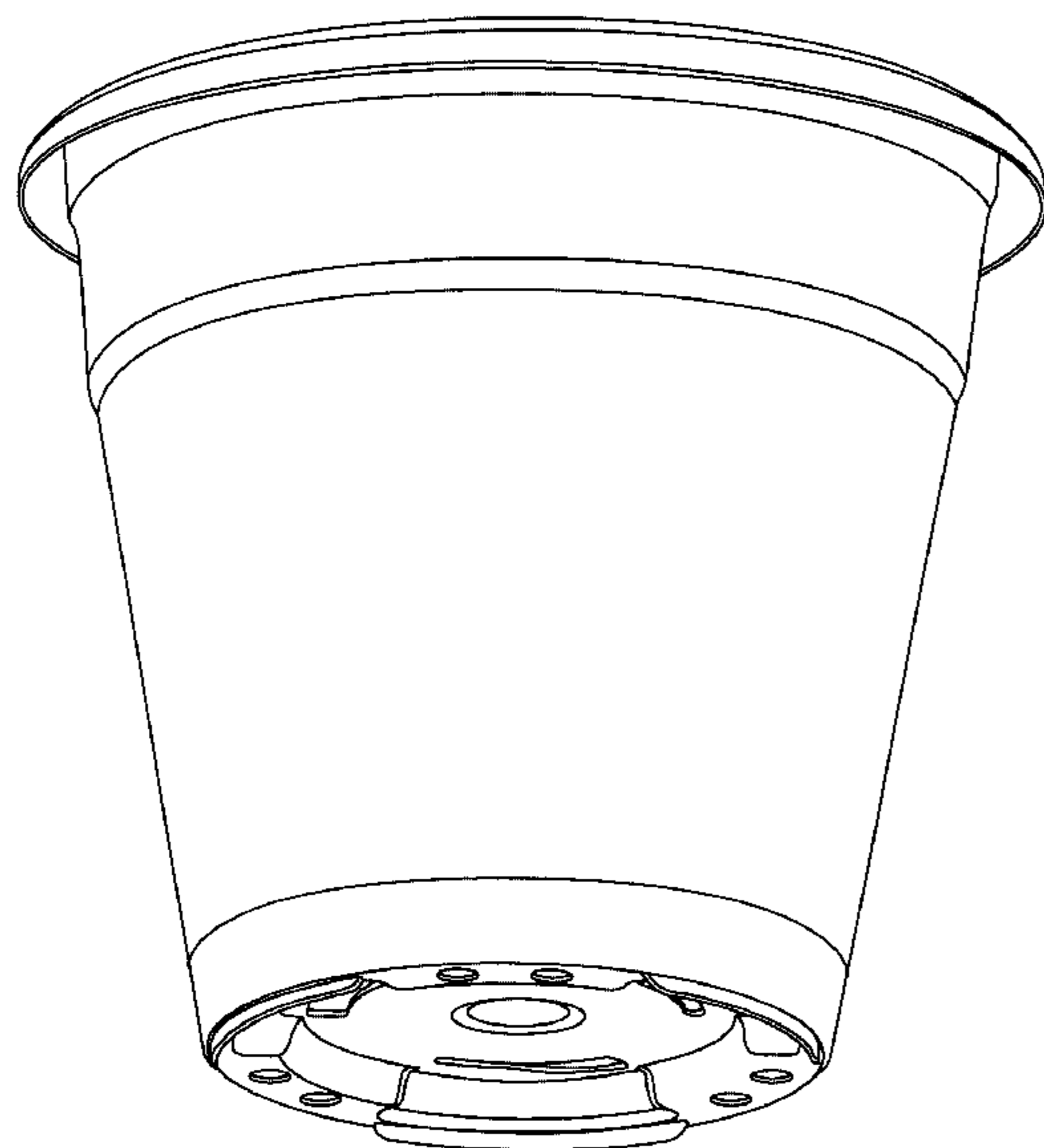
FIG. 13 is a perspective view of a fourth embodiment of a plant pot according to my new design;

FIG. 14 is a right side elevational view thereof;

FIG. 15 is a top plan view thereof; and,

FIG. 16 is a bottom plan view thereof.

**1 Claim, 16 Drawing Sheets**



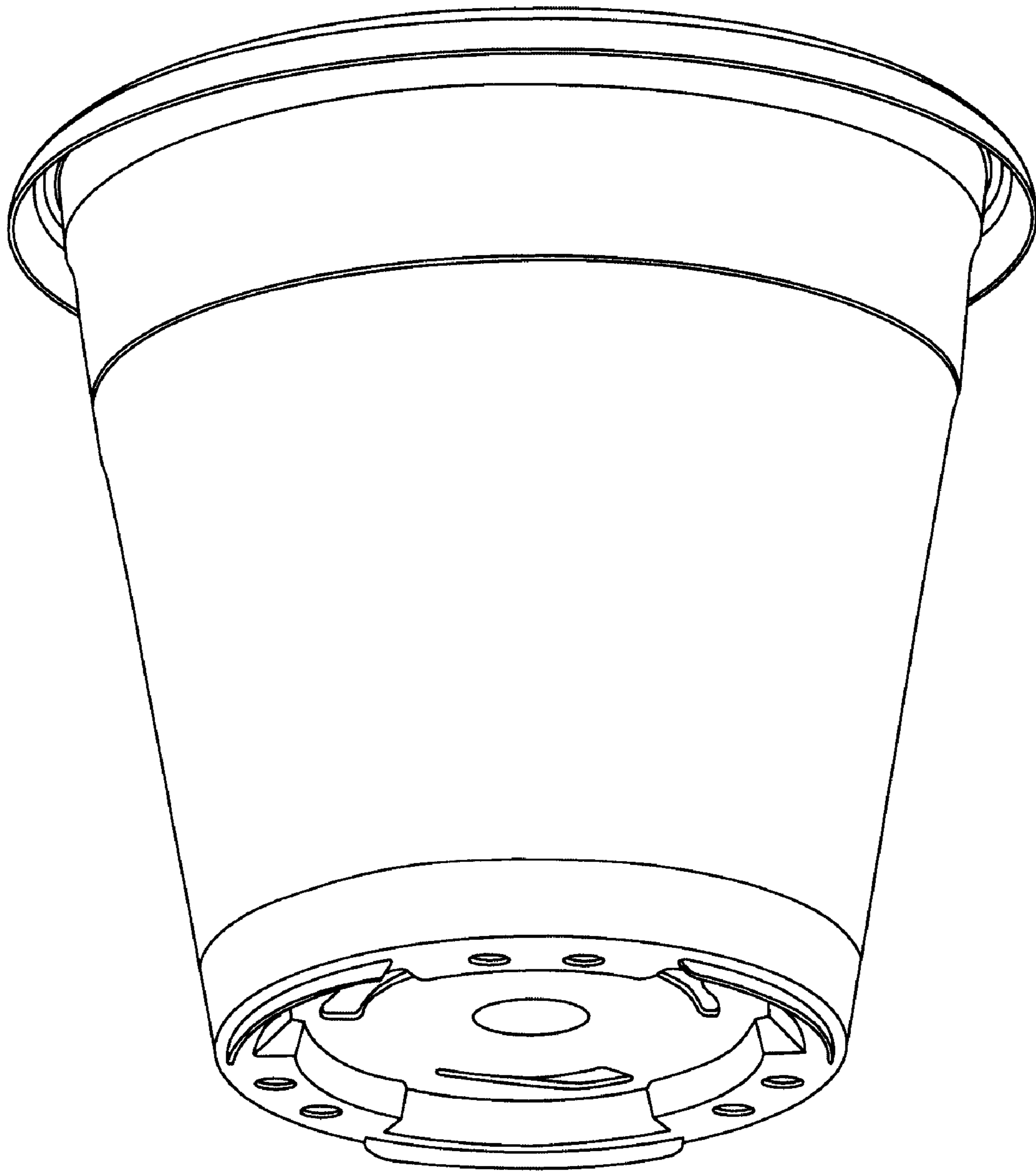


Fig. 1

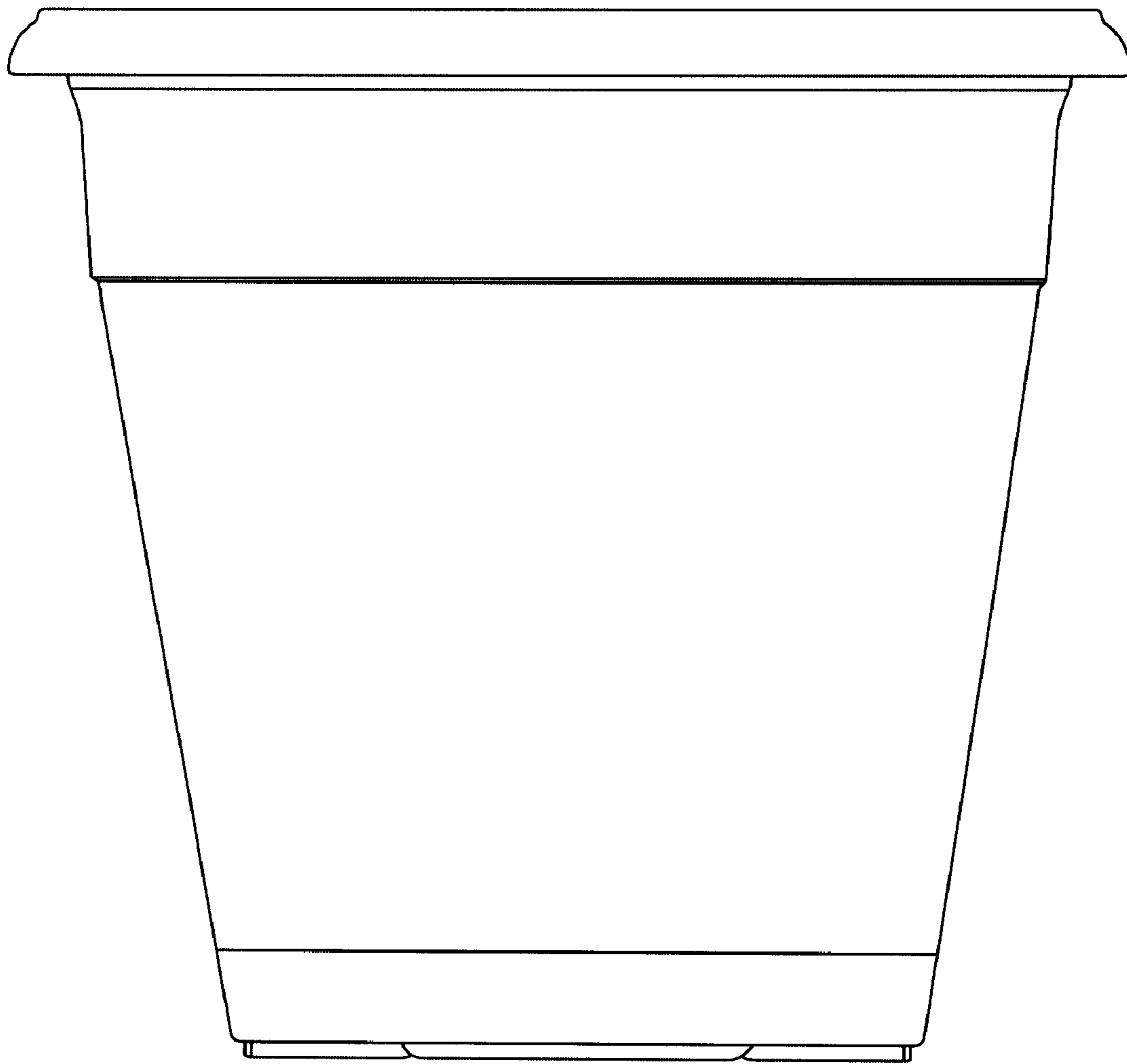


Fig. 2

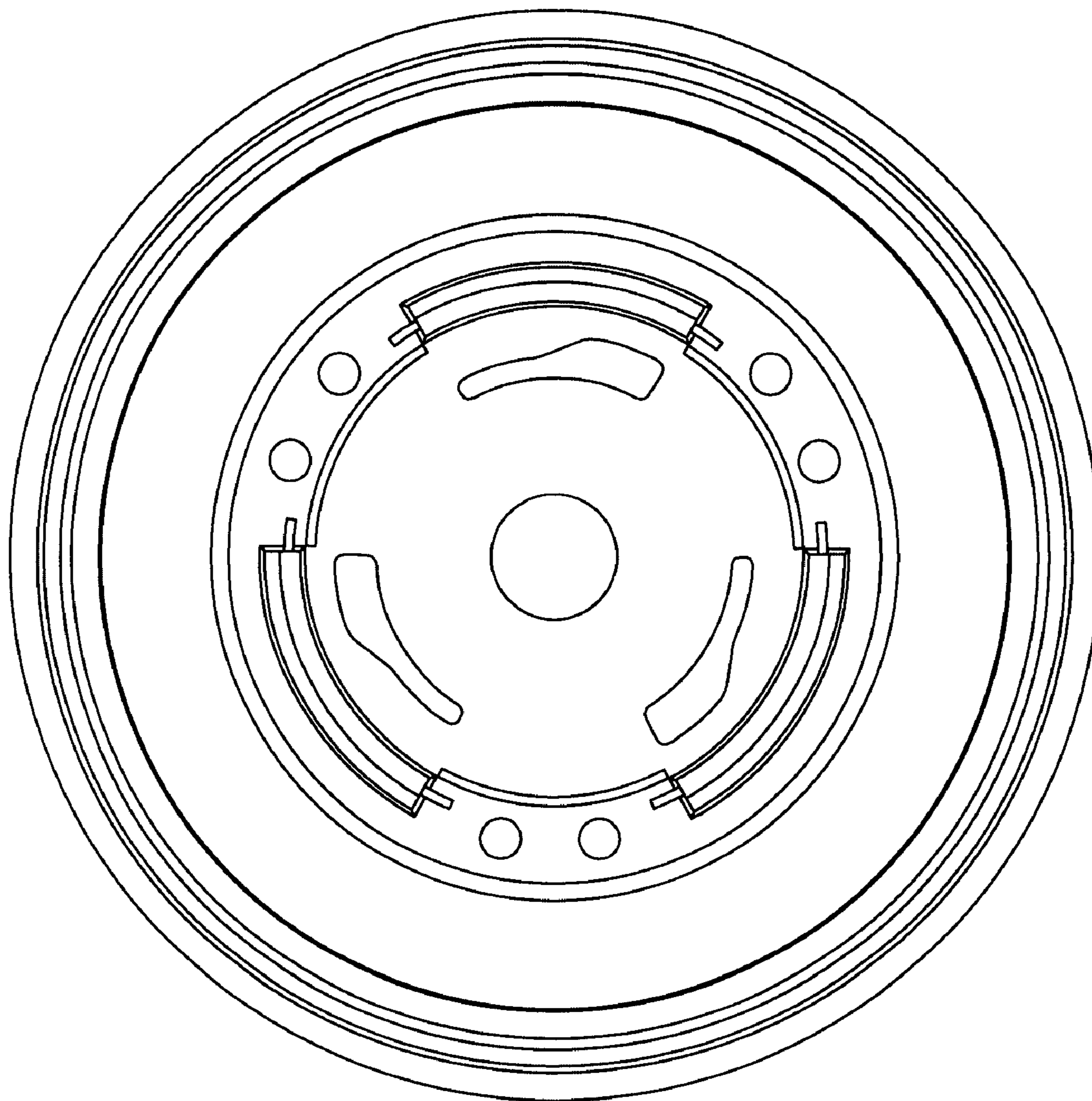


Fig. 3

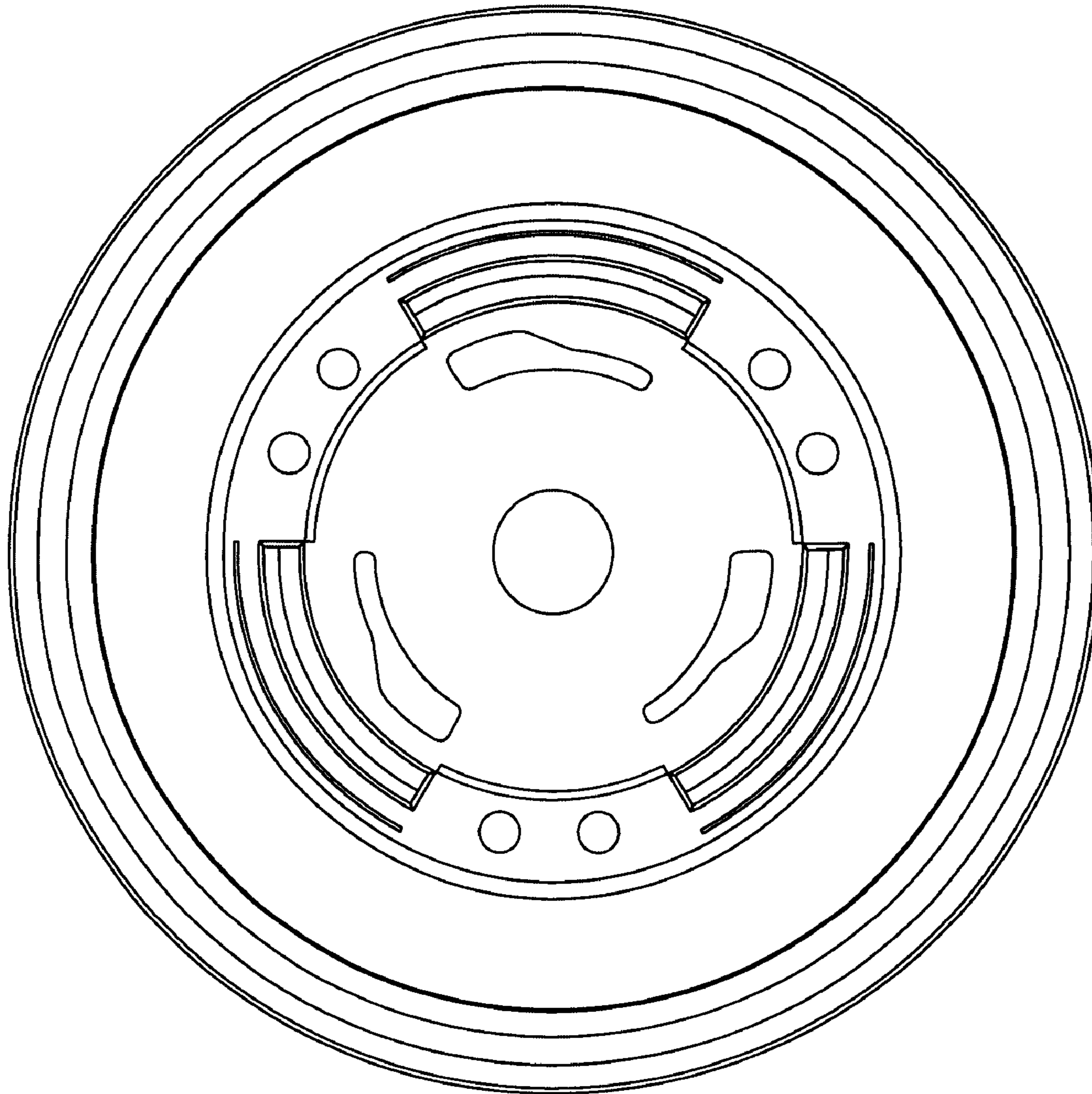


Fig. 4

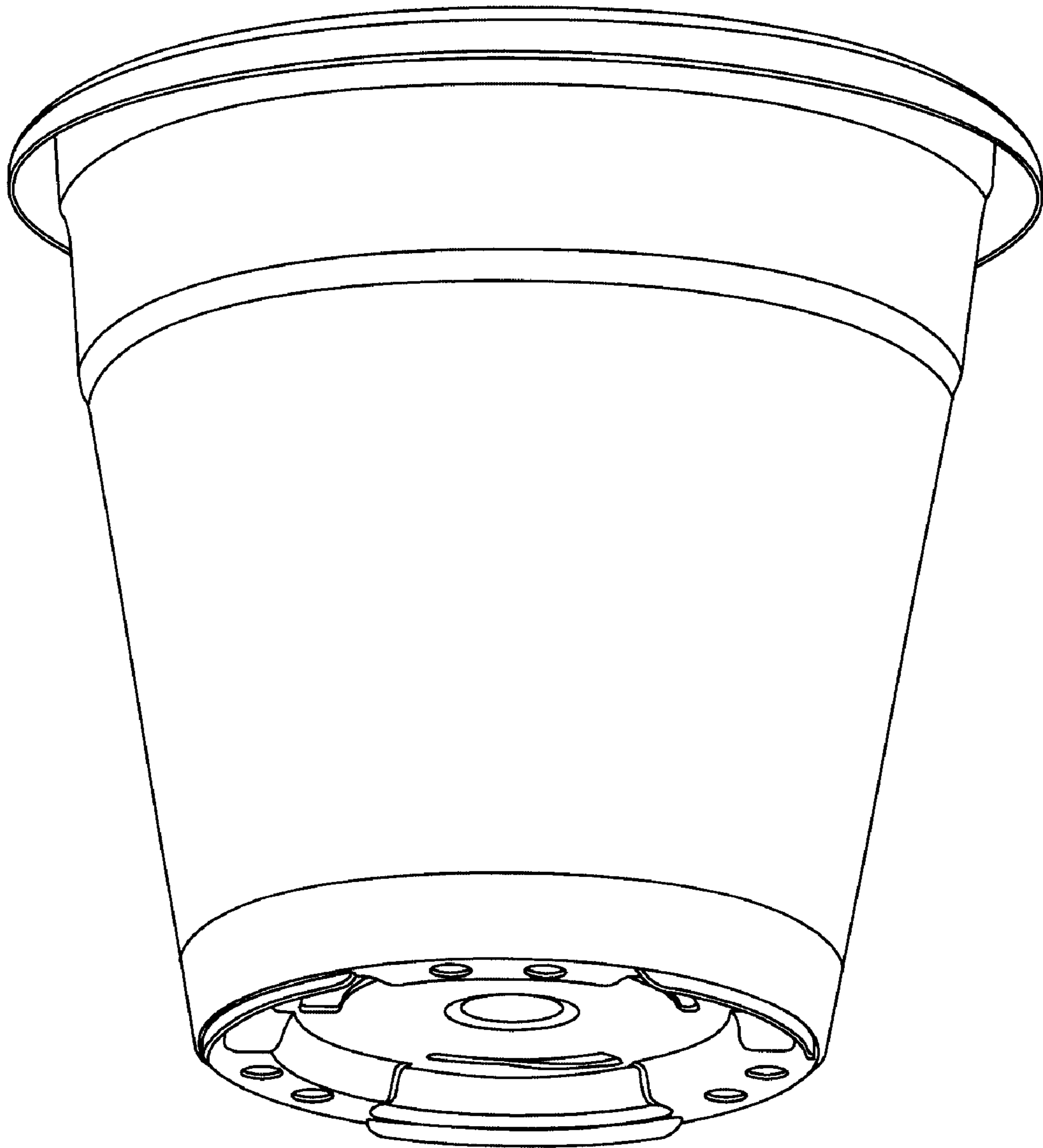


Fig. 5

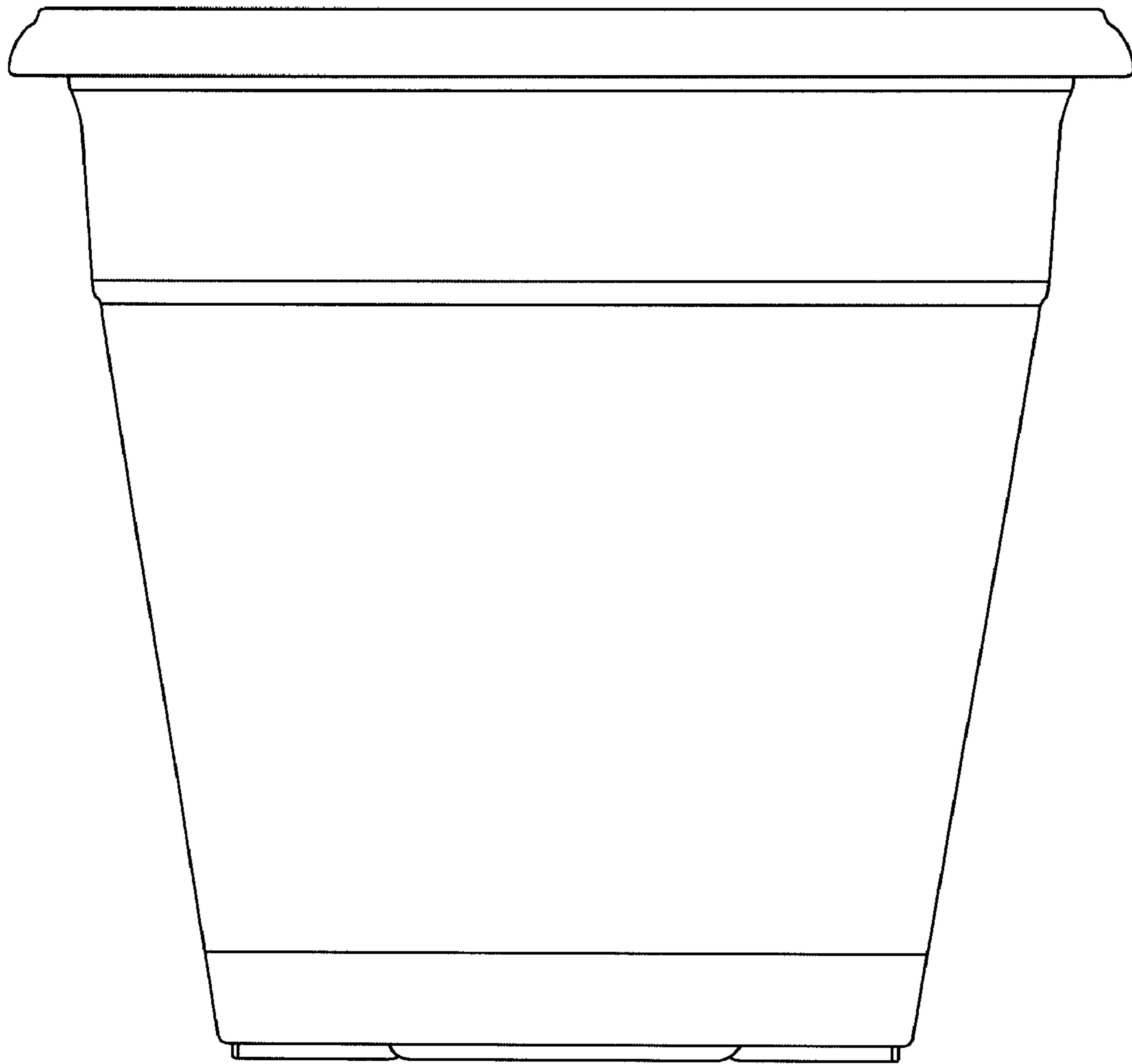


Fig. 6

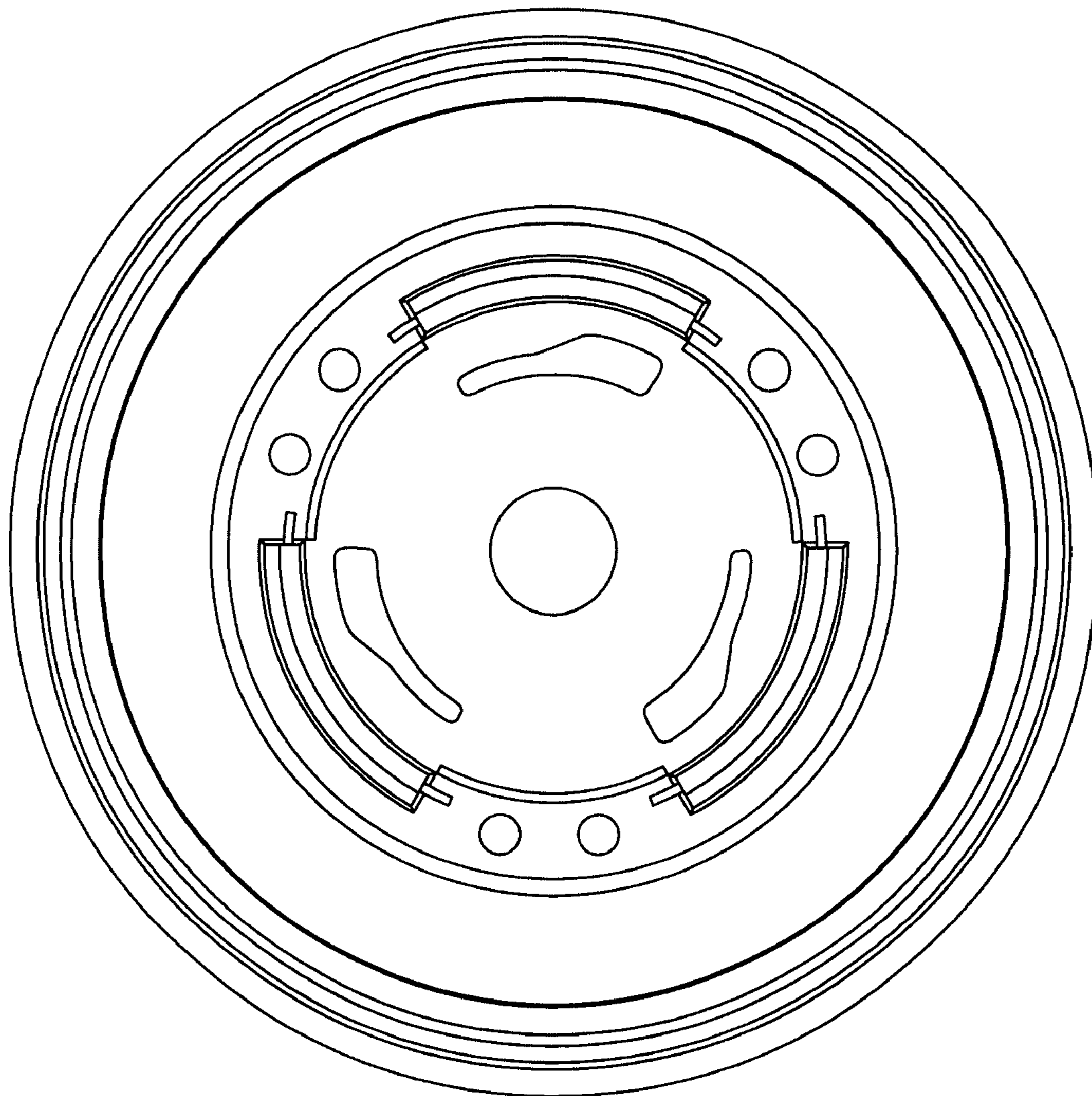


Fig. 7



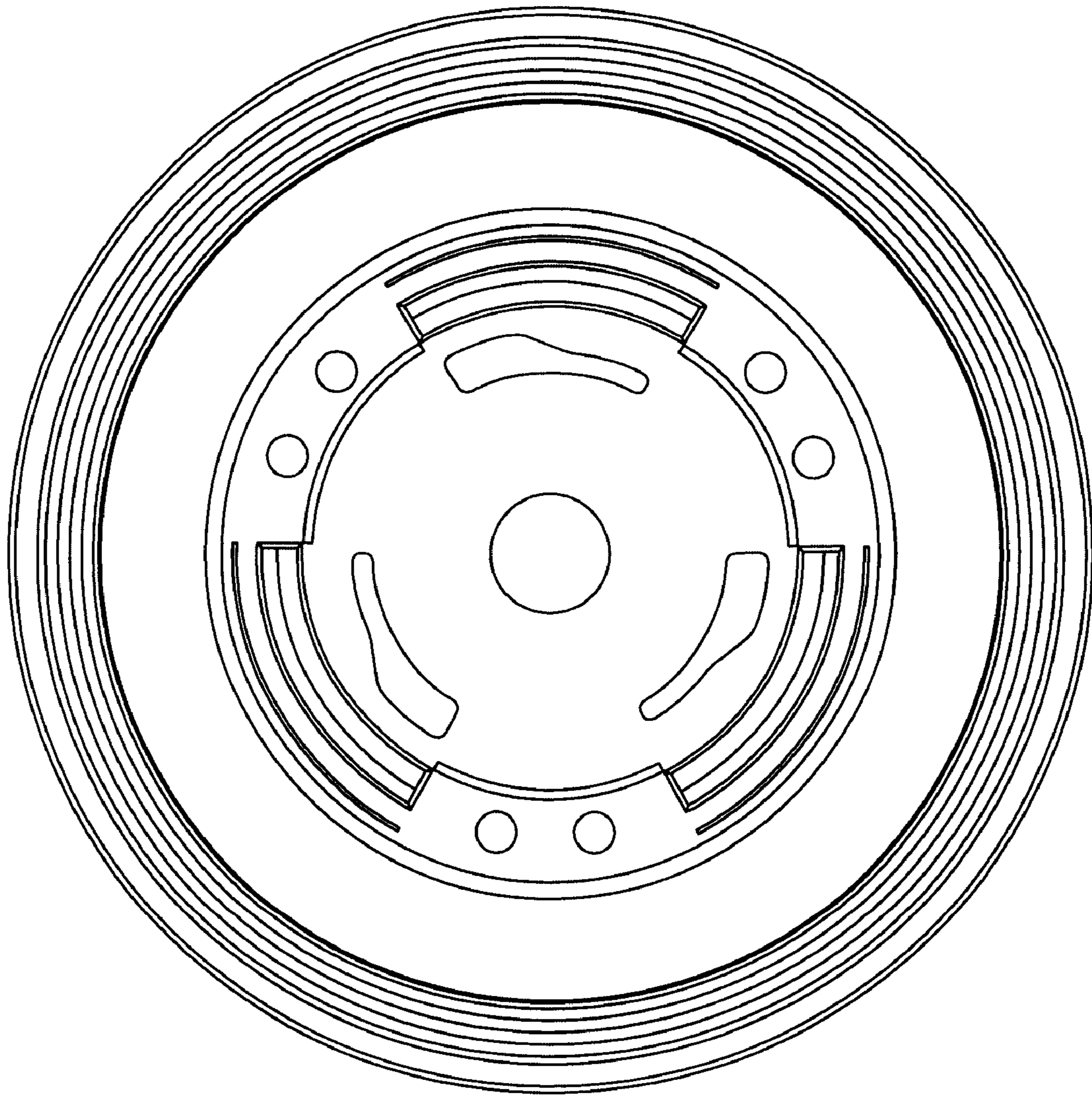


Fig. 8

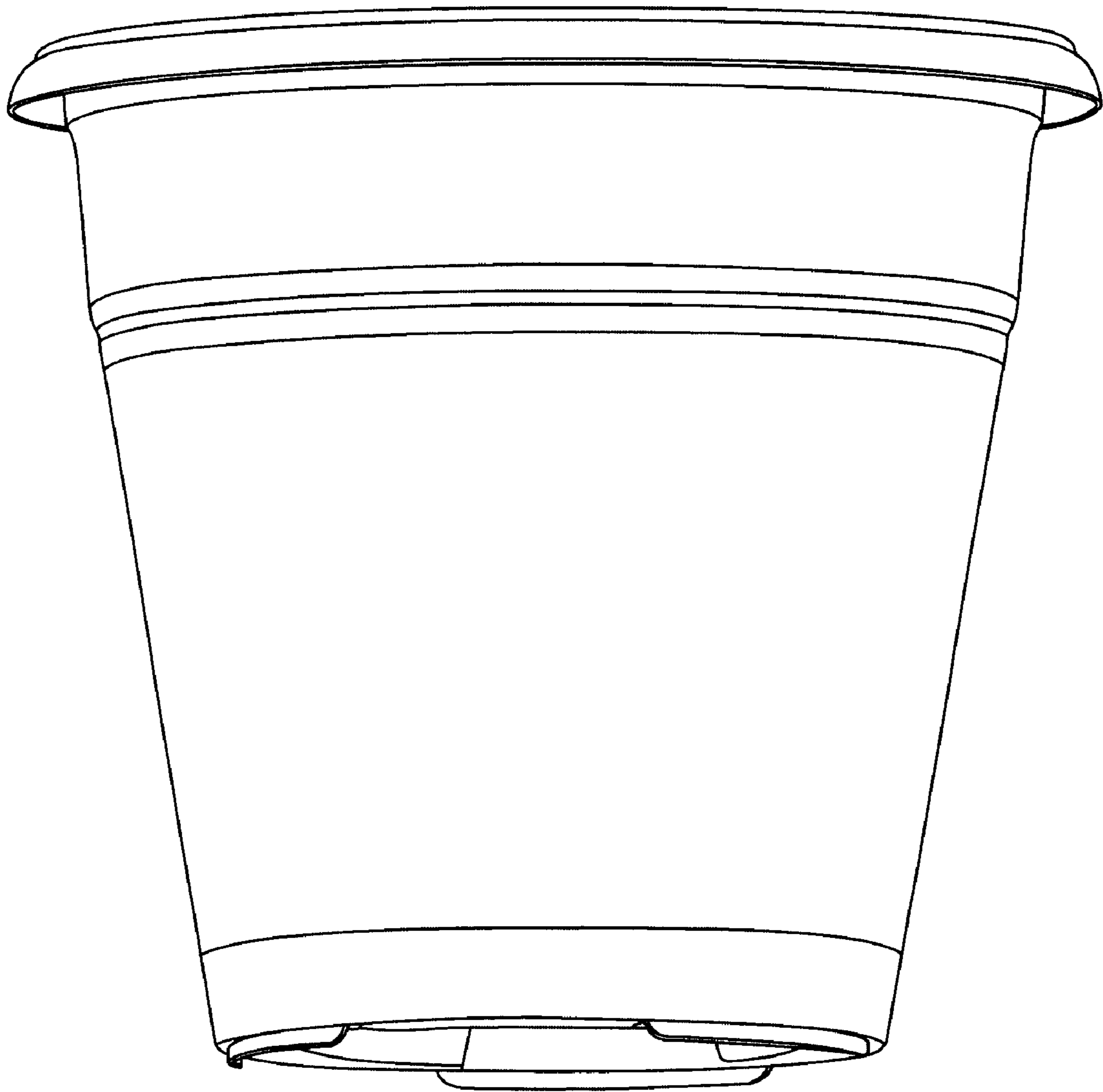


Fig. 9

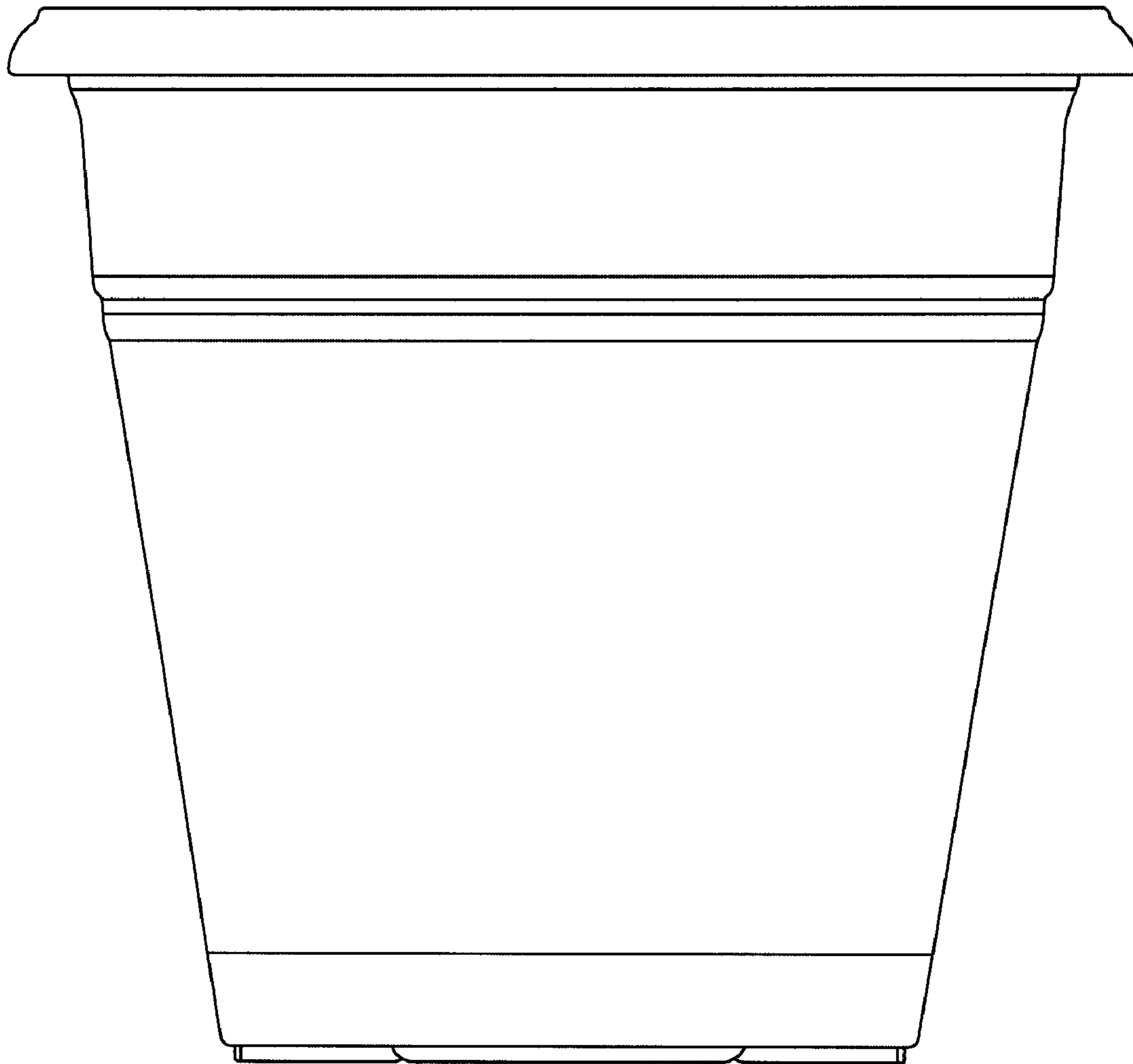


Fig. 10

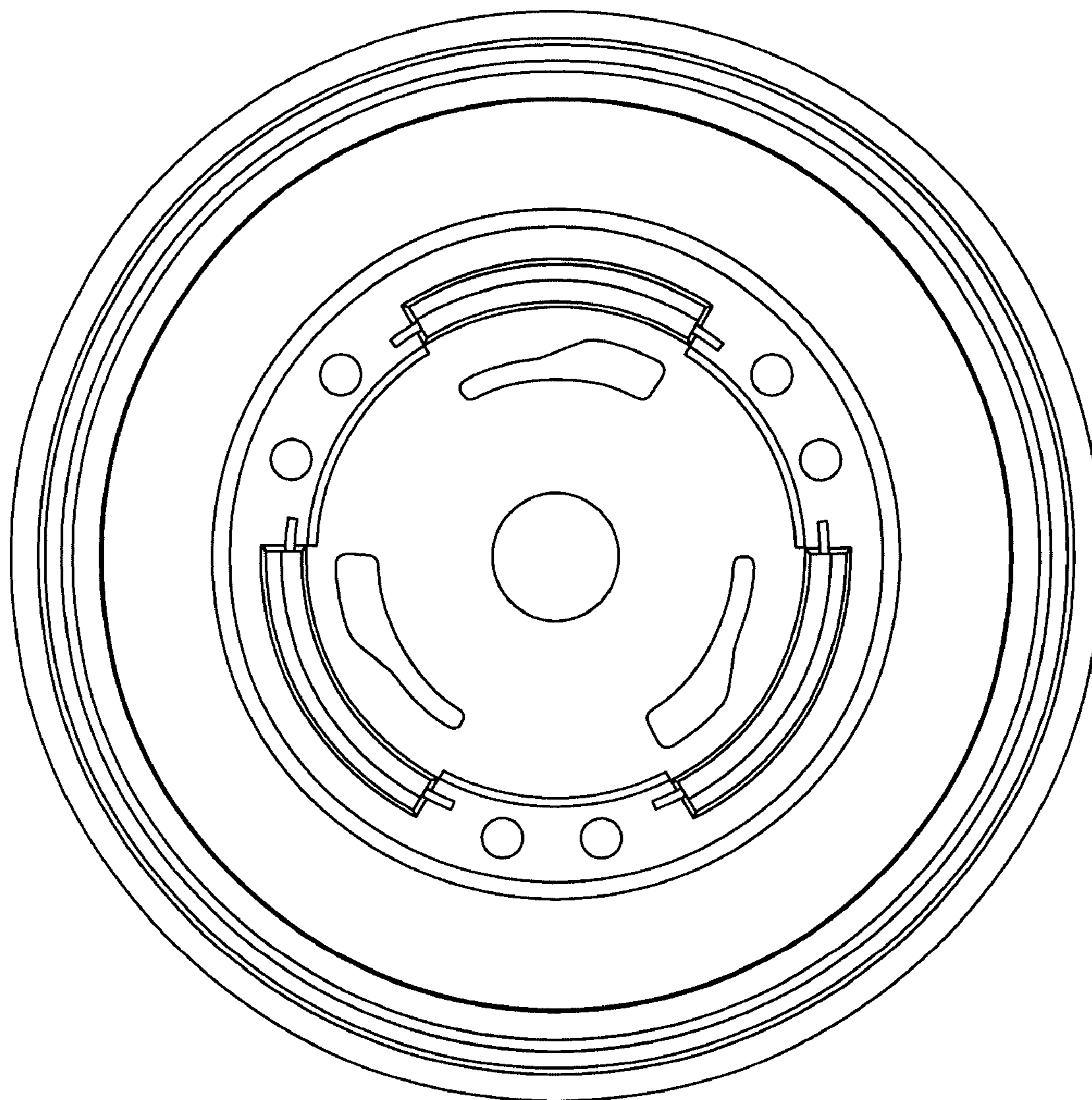


Fig. 11

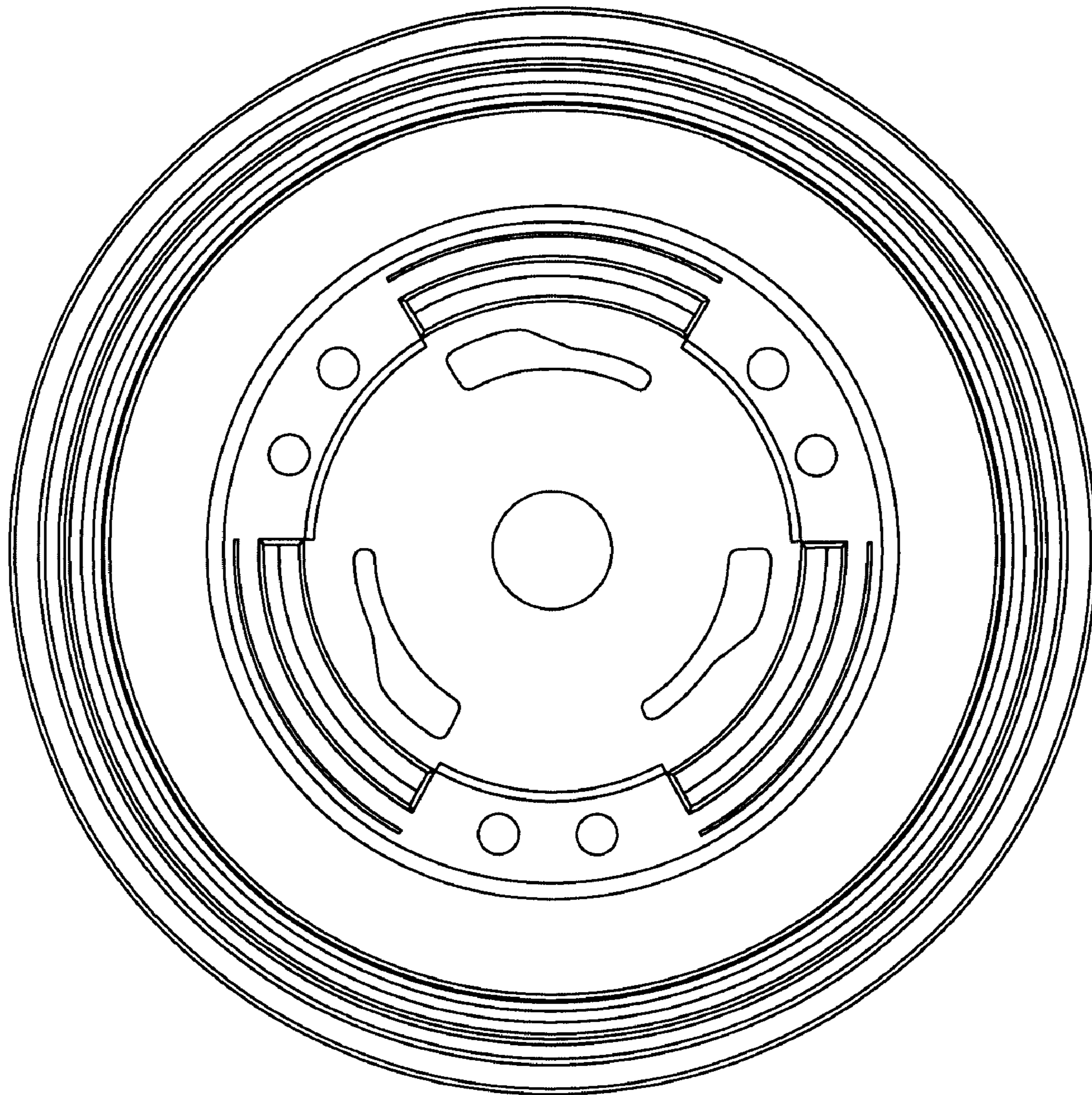


Fig. 12

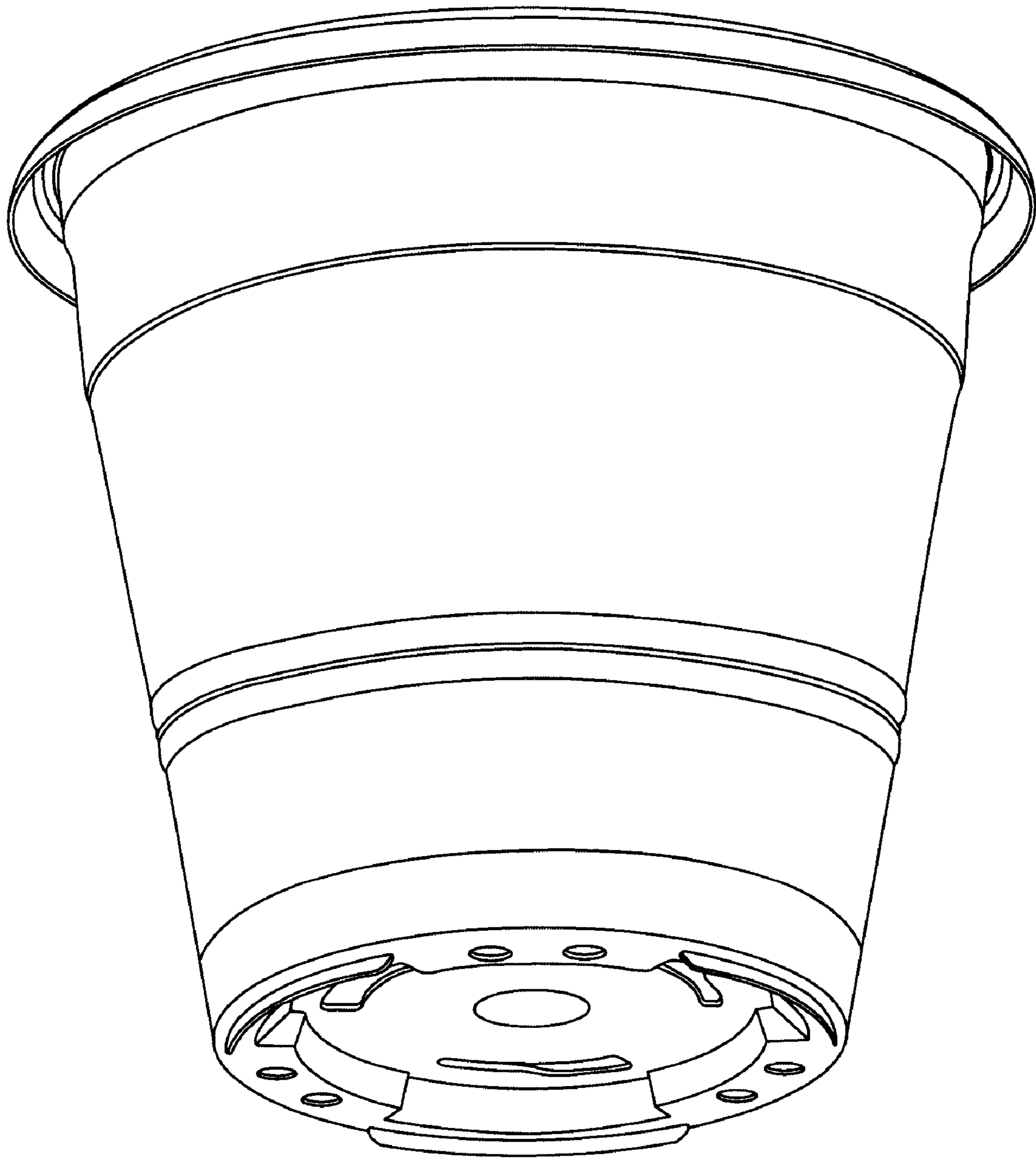


Fig. 13

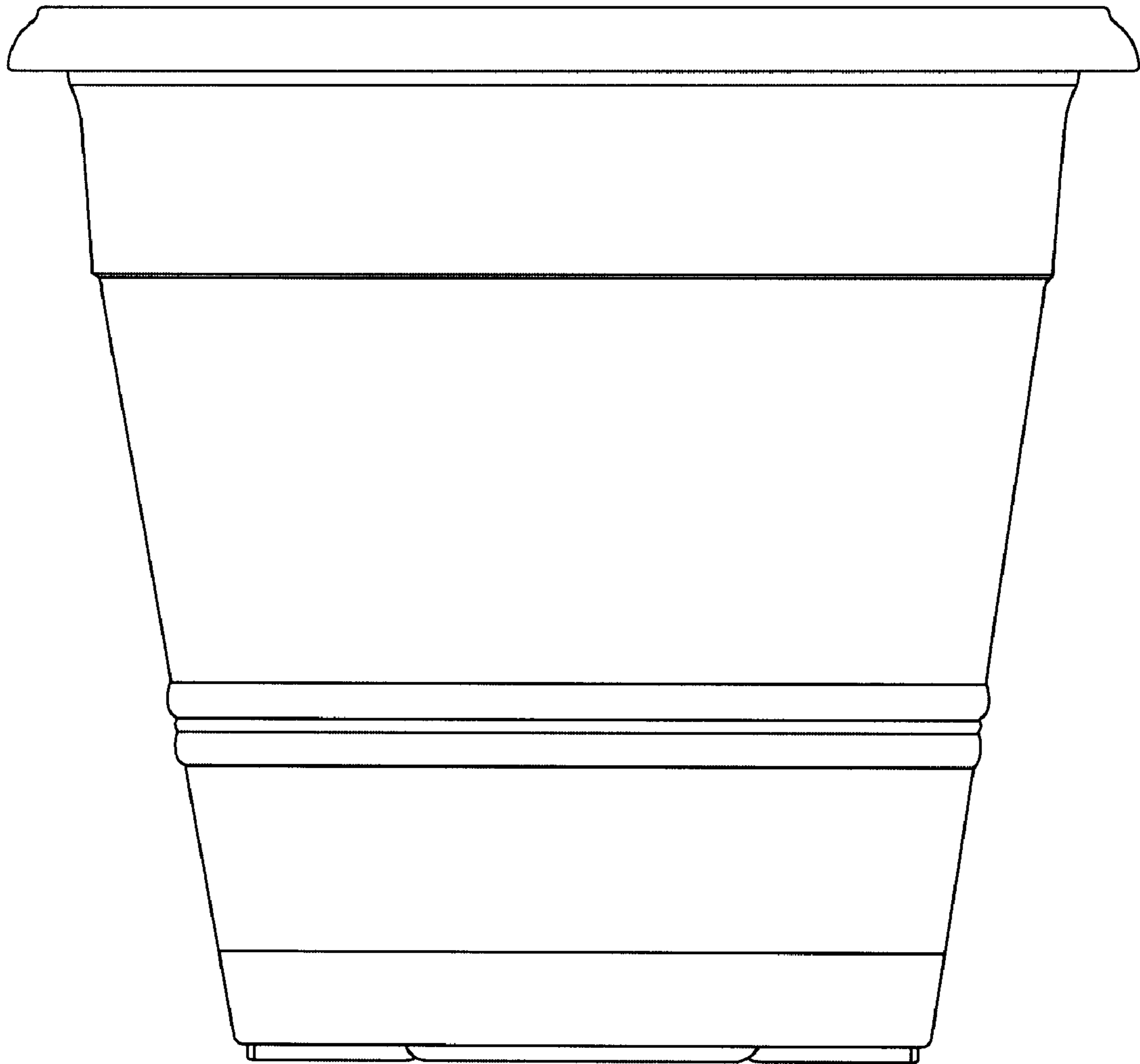


Fig. 14

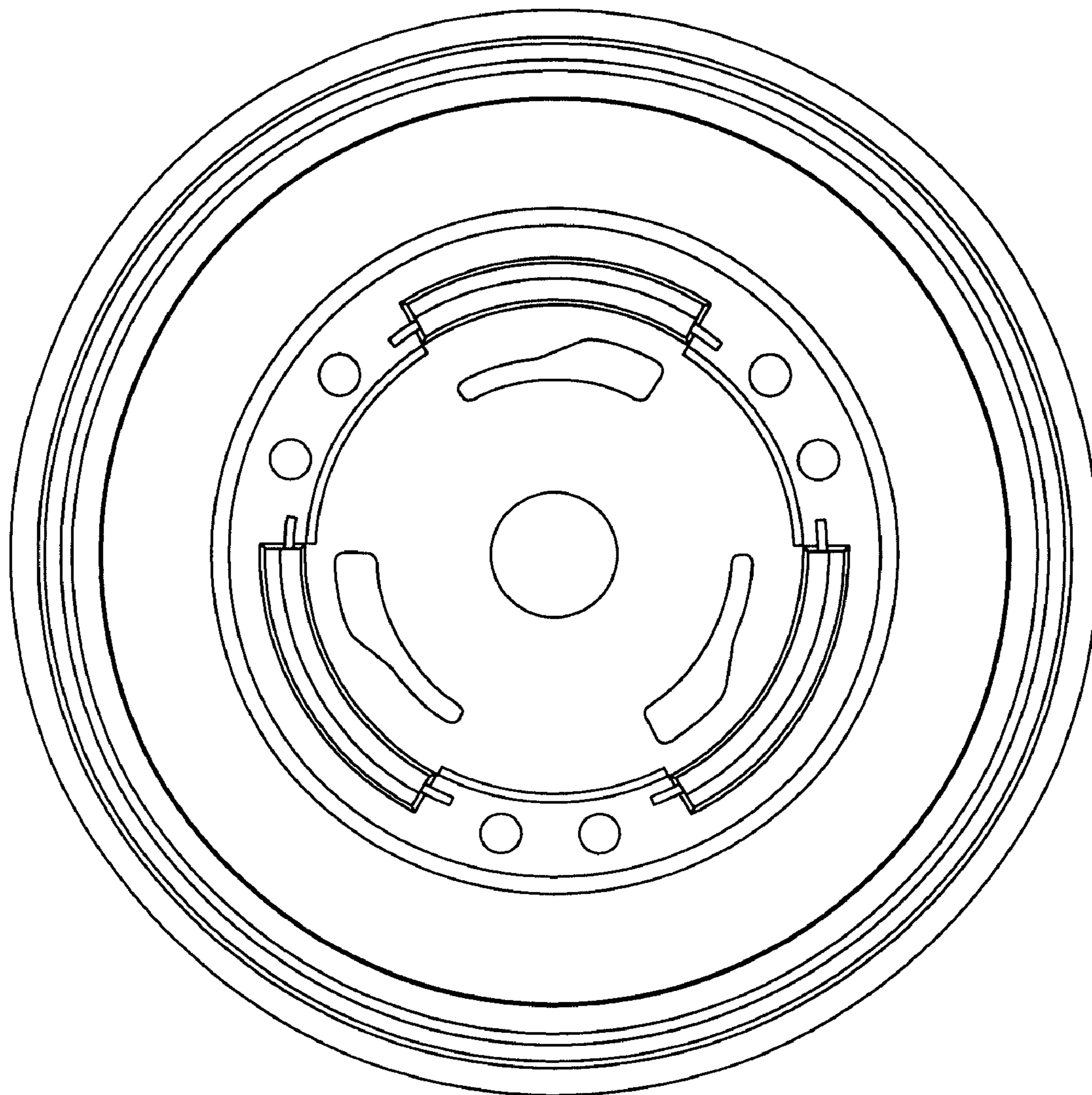


Fig. 15



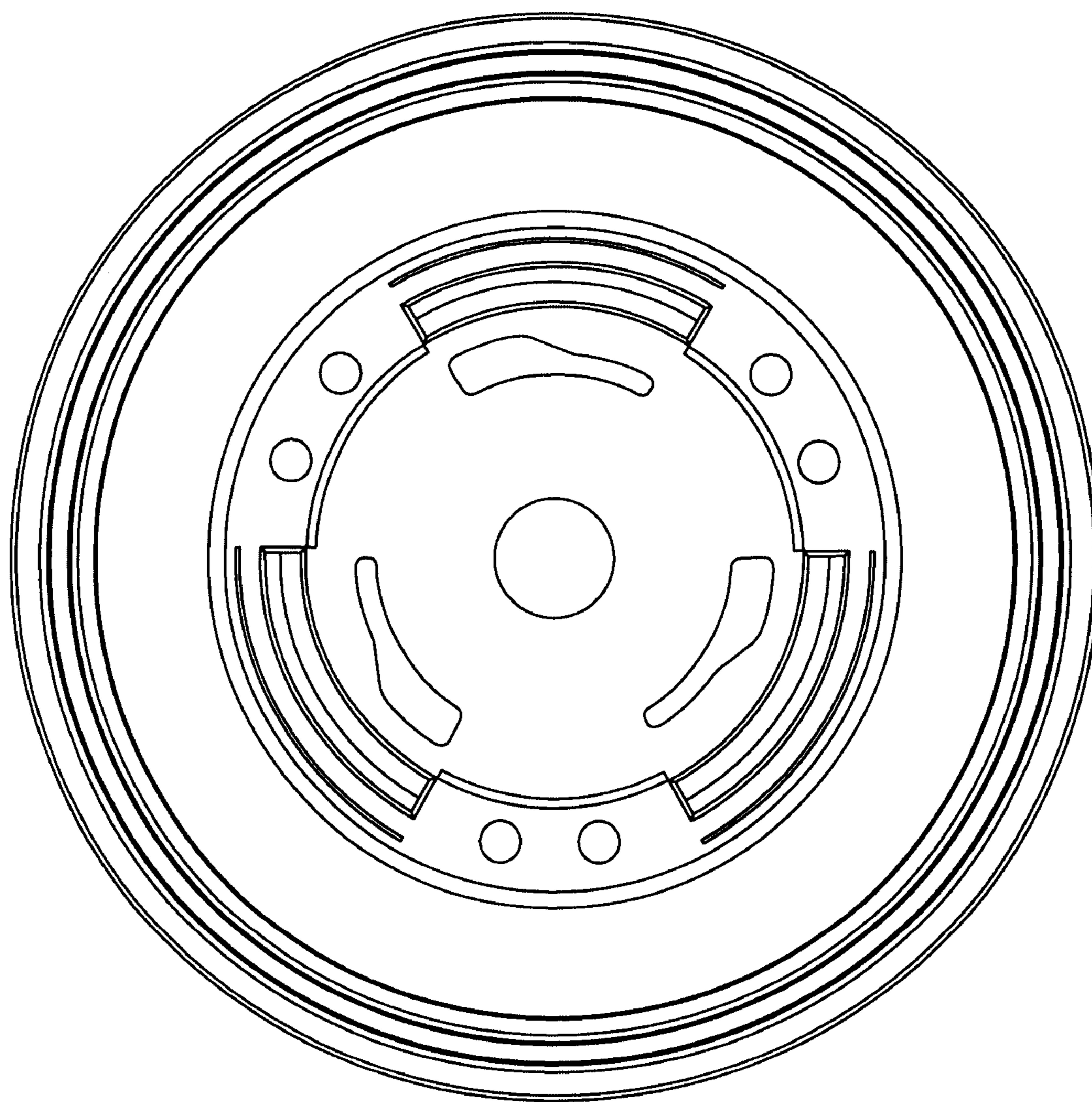


Fig. 16