



US00D564387S

(12) **United States Design Patent**
Rubin et al.

(10) **Patent No.:** **US D564,387 S**
(45) **Date of Patent:** **** Mar. 18, 2008**

(54) **HANDHELD EMERGENCY TOOL**

(57) **CLAIM**

(75) Inventors: **Bennett S. Rubin**, Pepper Pike, OH (US); **Richard C. Adamany**, Chagrin Falls, OH (US)

The ornamental design for handheld emergency tool, as shown and described.

(73) Assignee: **Crestwood Partners, LLC**, Mayfield Village, OH (US)

DESCRIPTION

(**) Term: **14 Years**

(21) Appl. No.: **29/274,847**

(22) Filed: **May 31, 2007**

(51) **LOC (8) Cl.** **10-05**

(52) **U.S. Cl.** **D10/104; D8/105; D26/38**

(58) **Field of Classification Search** D8/14, D8/55, 104-105; D10/104-106; D26/38; 368/10, 276, 277, 285, 316, 317; 362/100, 362/109, 253

See application file for complete search history.

(56) **References Cited**

U.S. PATENT DOCUMENTS

D294,698 S *	3/1988	Yuen	D26/38
D325,644 S *	4/1992	Yuen	D26/38
5,465,198 A *	11/1995	Kellogg	362/253
D368,713 S *	4/1996	Tomlinson et al.	D14/150
D449,995 S *	11/2001	Christianson	D26/38

* cited by examiner

Primary Examiner—Antoine D. Davis

(74) *Attorney, Agent, or Firm*—Smith, Gambrell & Russell, LLP

FIG. 1 is a front perspective view of the handheld emergency tool;

FIG. 2 is a rear perspective view of the handheld emergency tool;

FIG. 3 is a front view of the handheld emergency tool;

FIG. 4 is a back view of the handheld emergency tool;

FIG. 5 is a left side view of the handheld emergency tool;

FIG. 6 is a right side view of the handheld emergency tool;

FIG. 7 is a top view of the handheld emergency tool;

FIG. 8 is a bottom view of the handheld emergency tool;

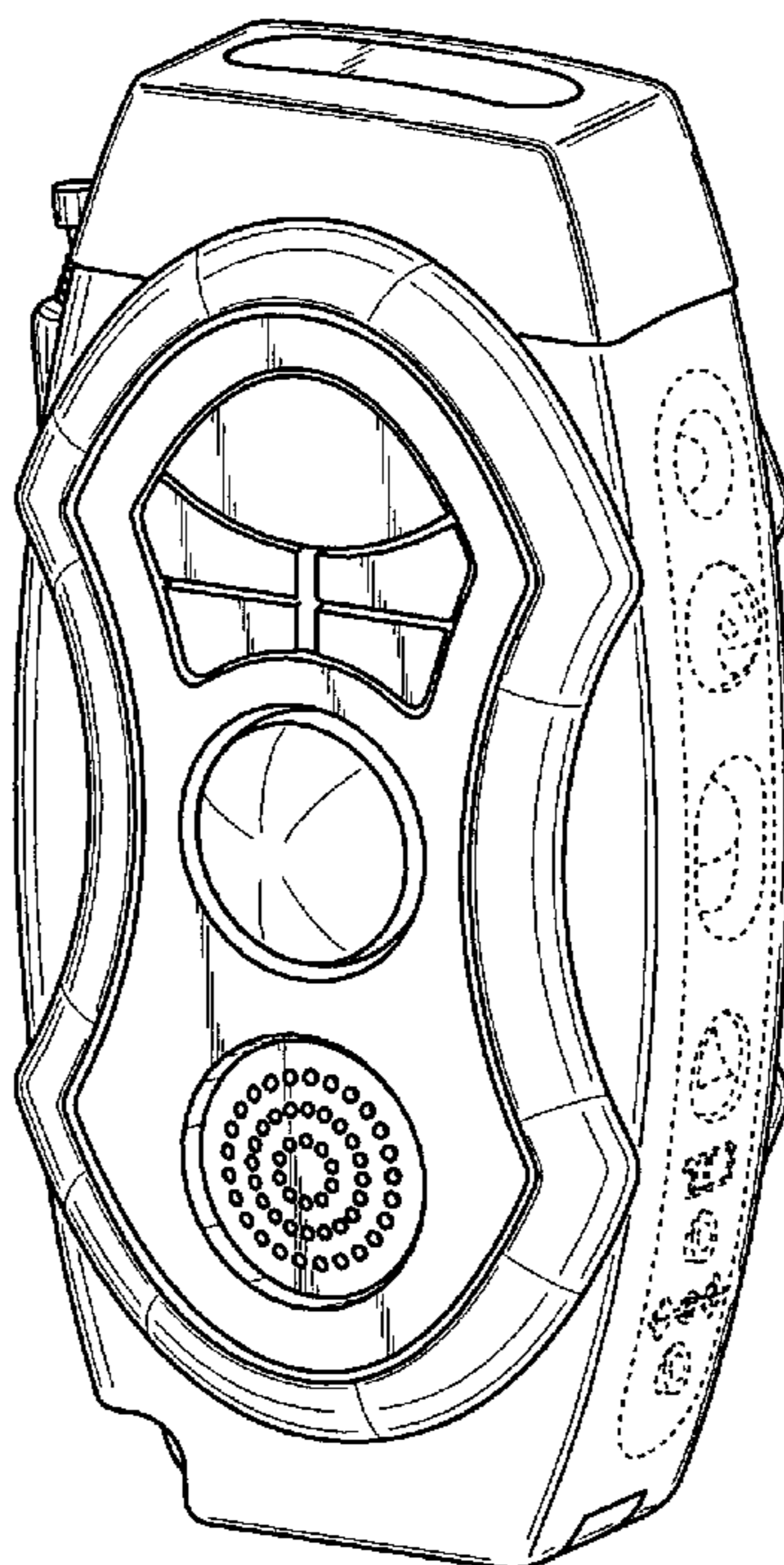
FIG. 9 is a front perspective view of the handheld emergency tool showing the antenna extended;

FIG. 10 is a rear perspective view of the handheld emergency tool showing the antenna extended; and,

FIG. 11 is a rear perspective view of the handheld emergency tool showing the crank extended and open.

The broken line showing of controls and control panel is for the purpose of illustrating environmental structure and forms no part of the claimed design.

1 Claim, 11 Drawing Sheets



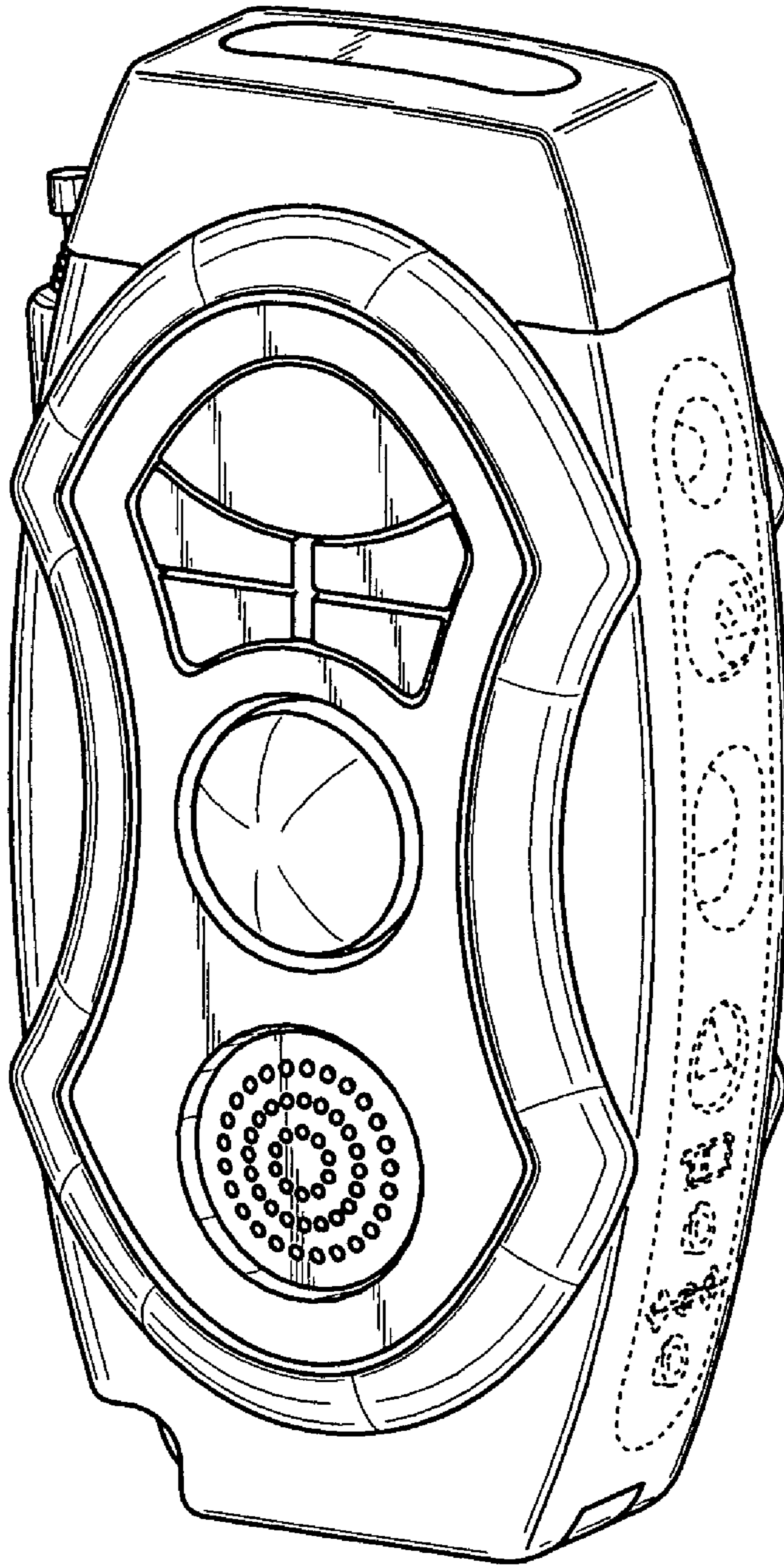


Fig. 1

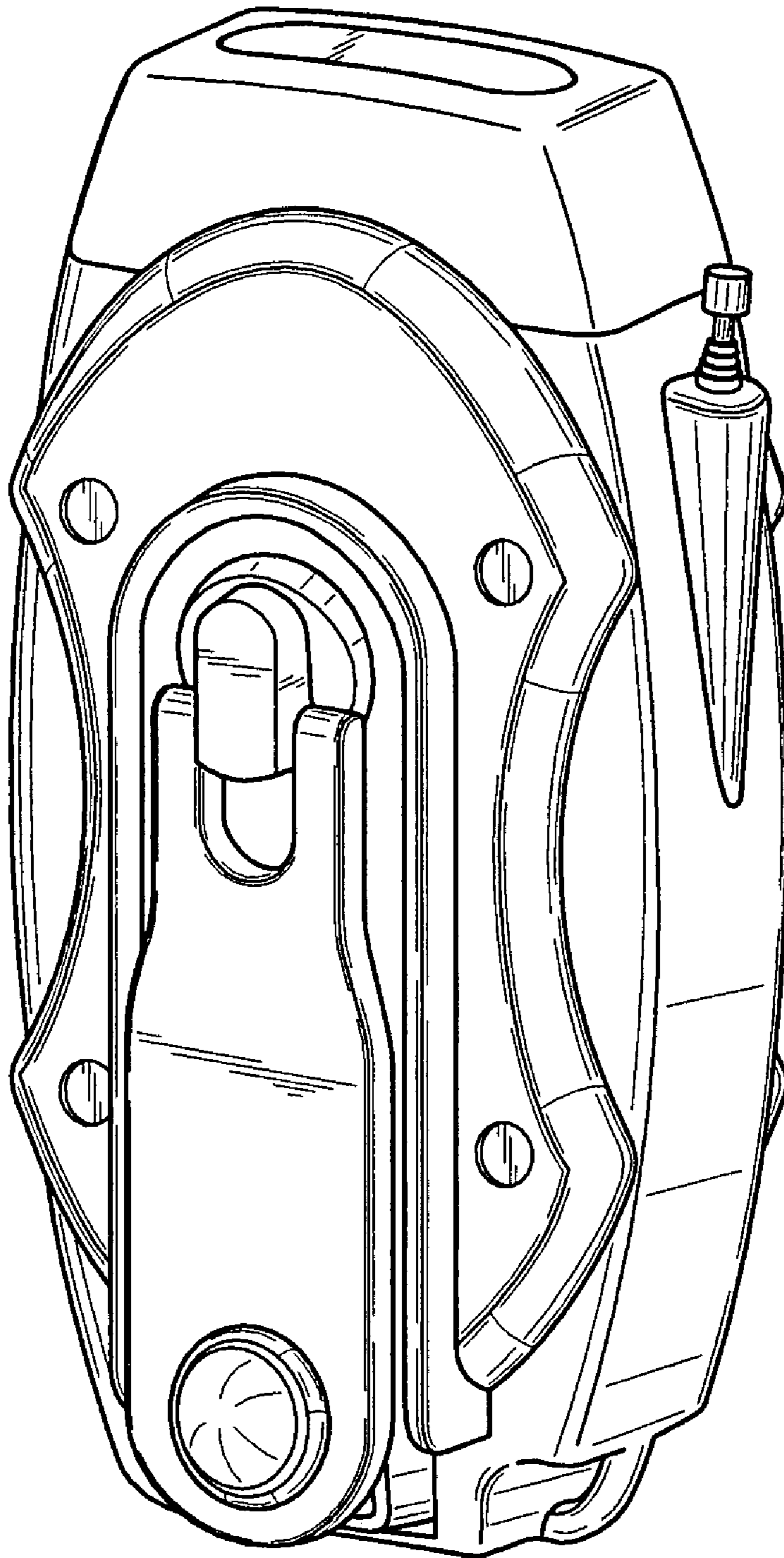


Fig. 2

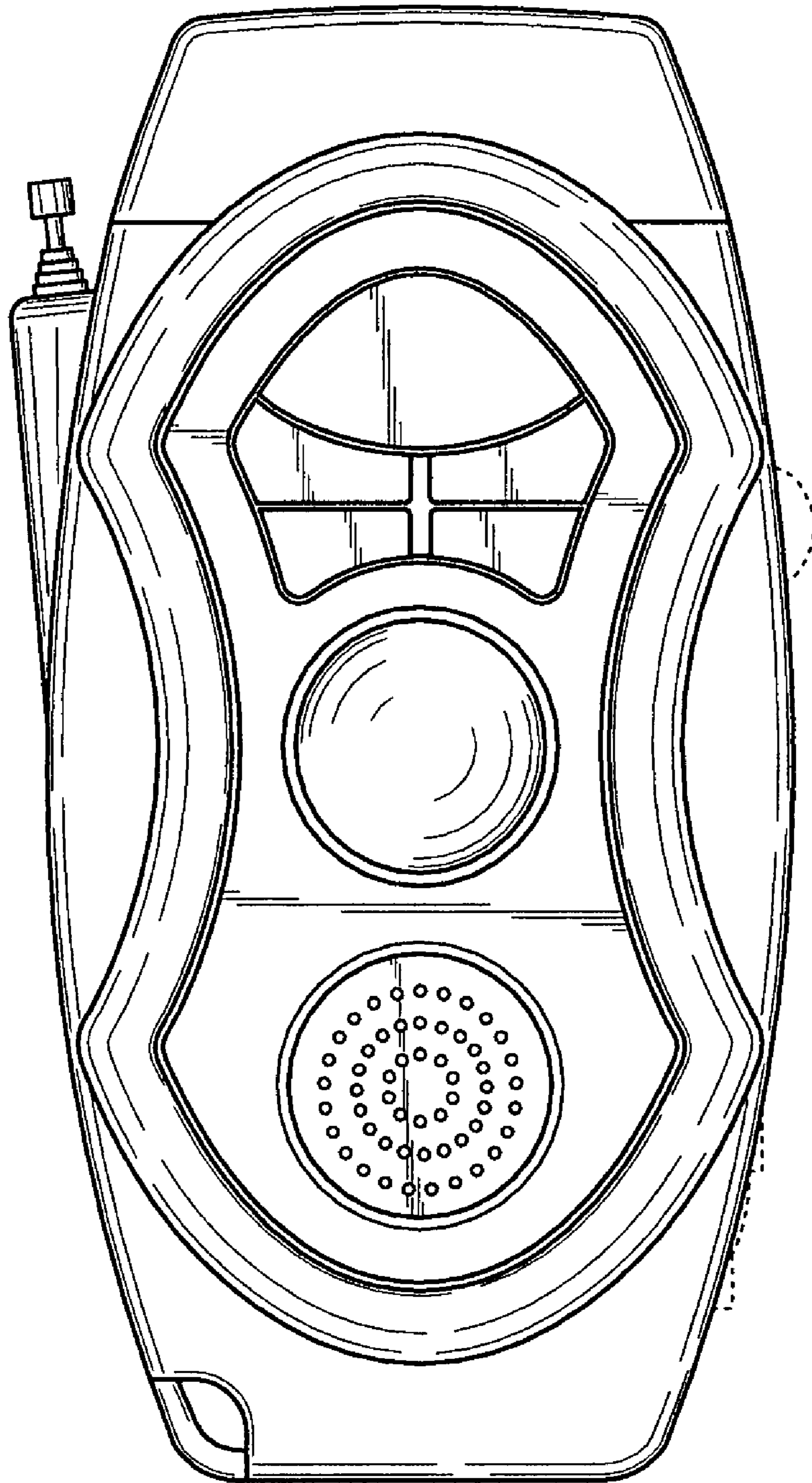


Fig. 3

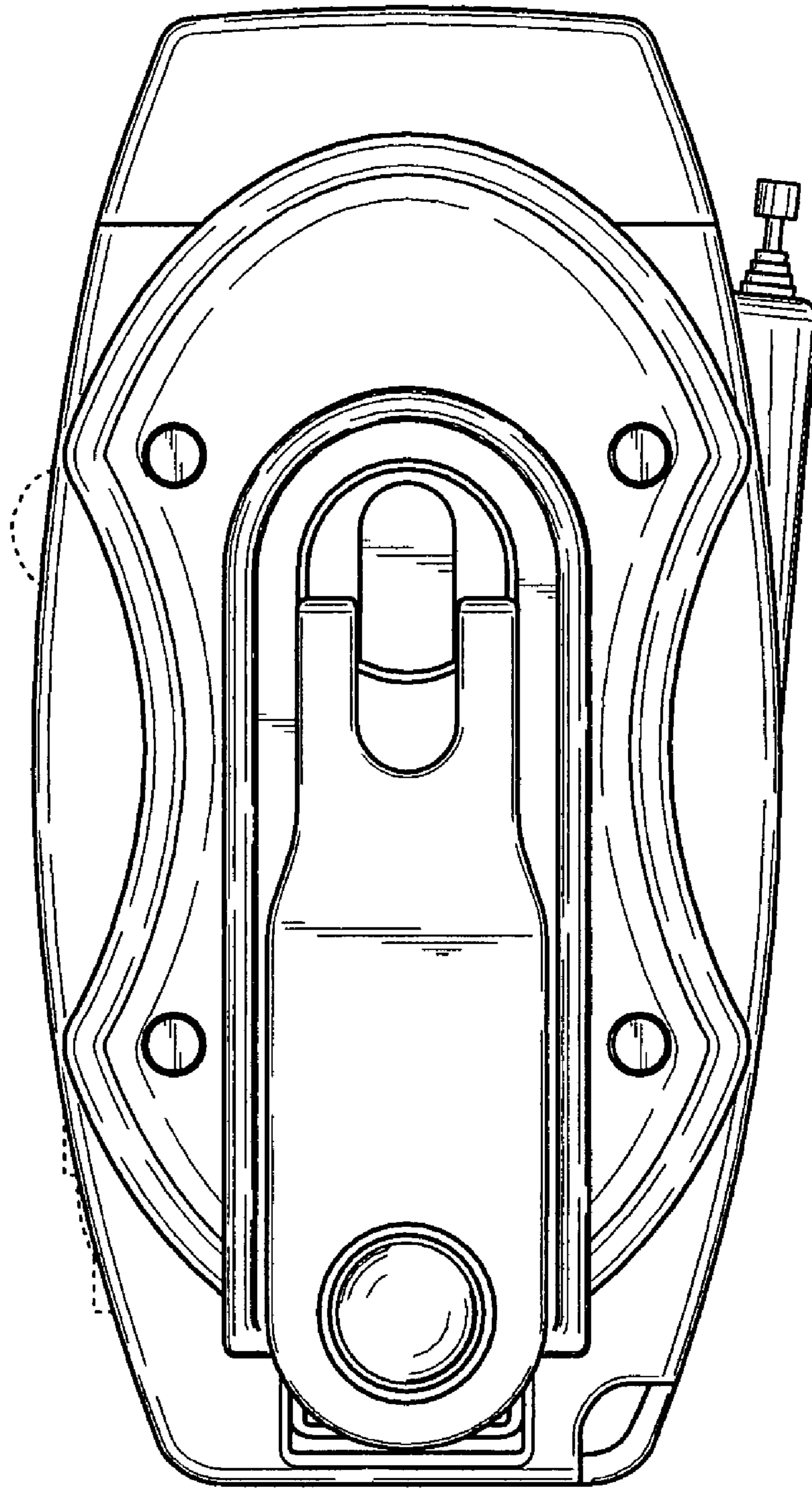


Fig. 4

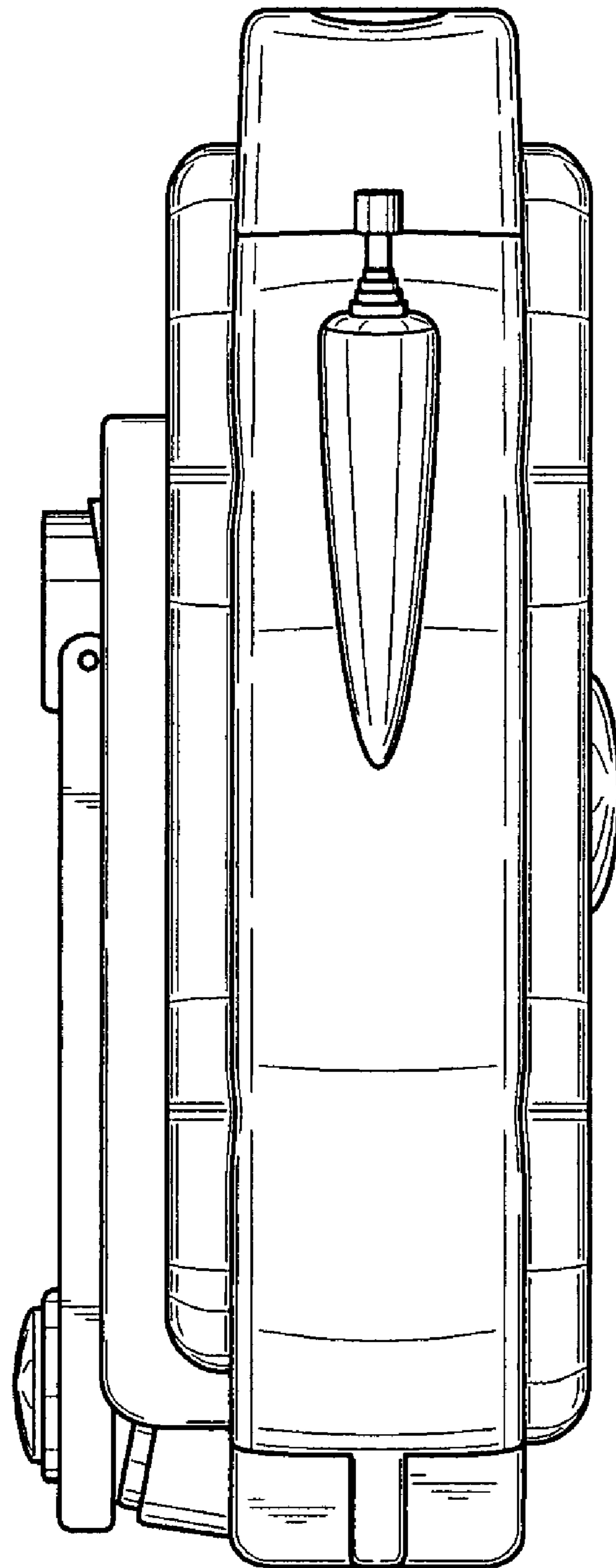


Fig. 5

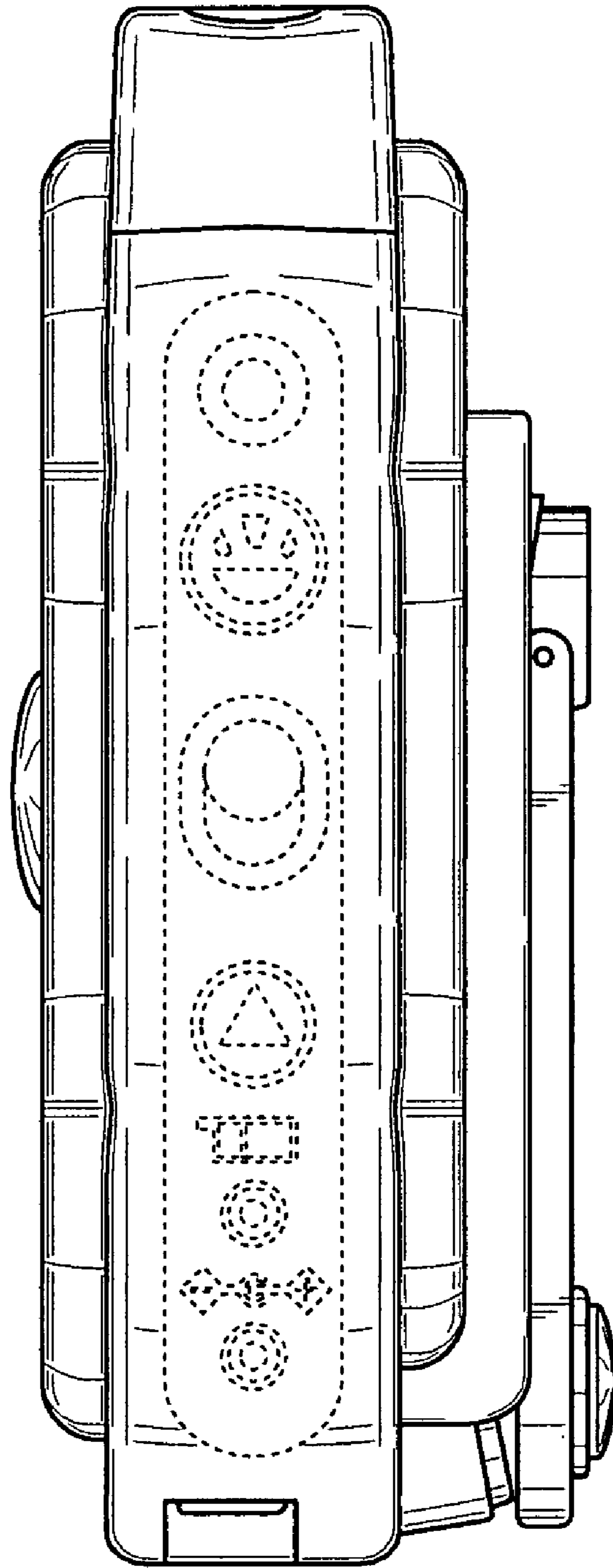


Fig. 6

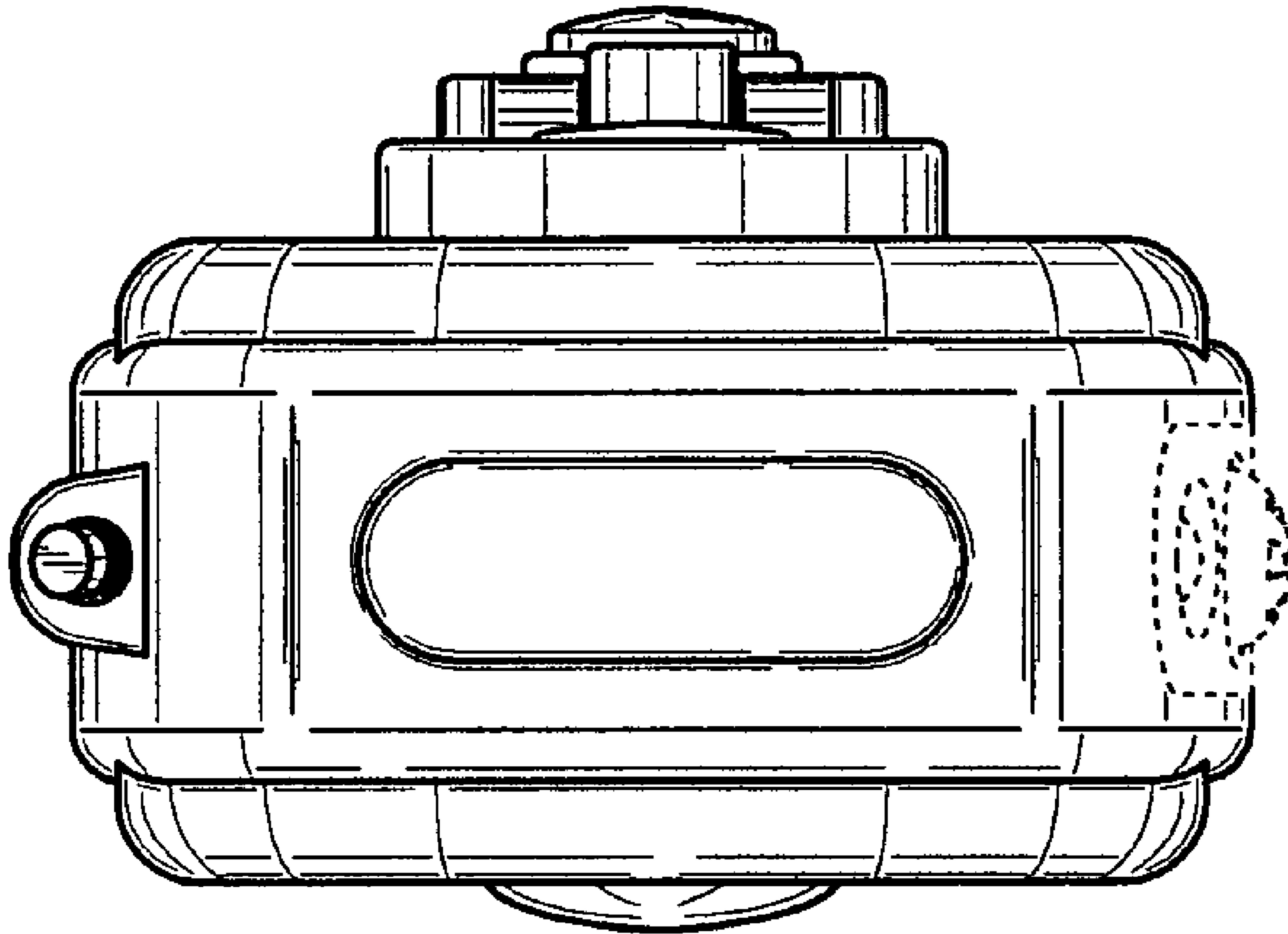


Fig. 7

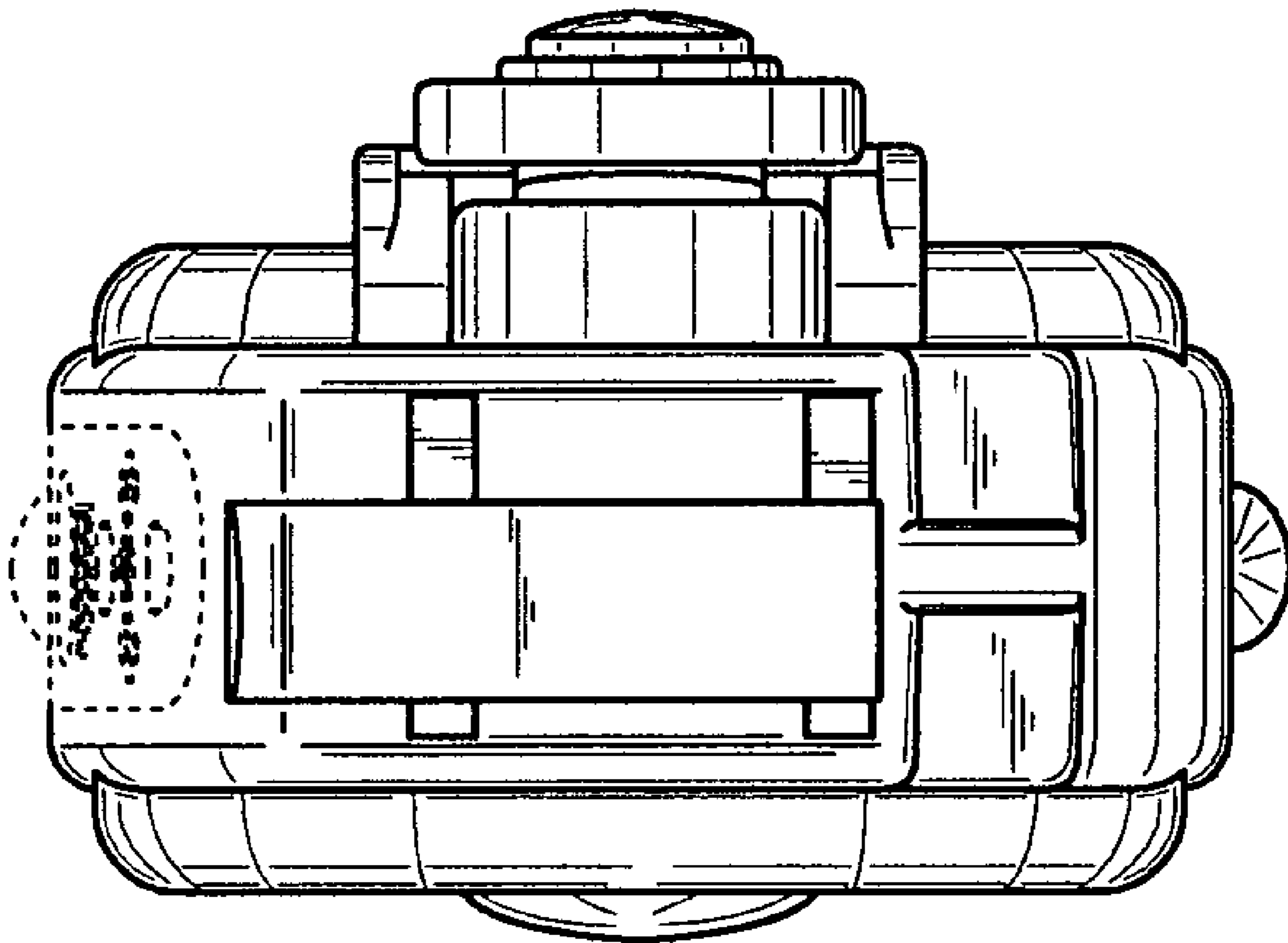


Fig. 8

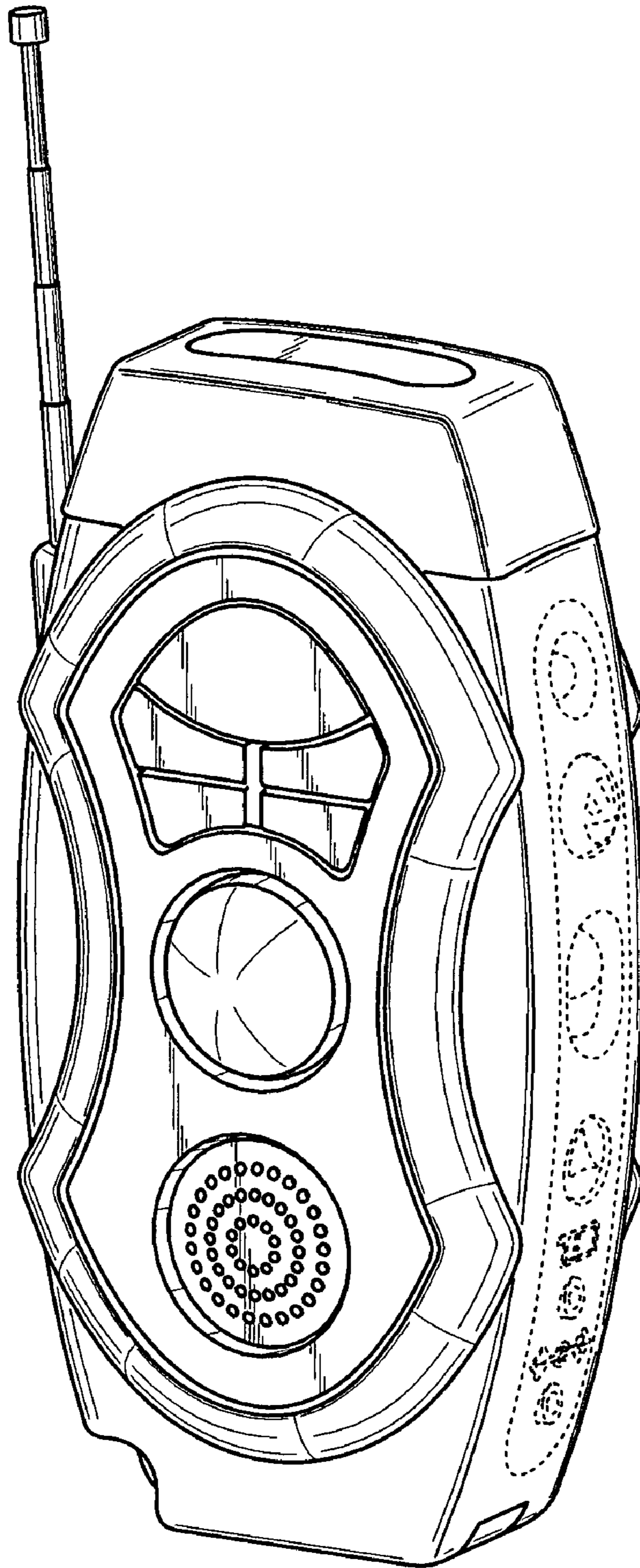


Fig. 9

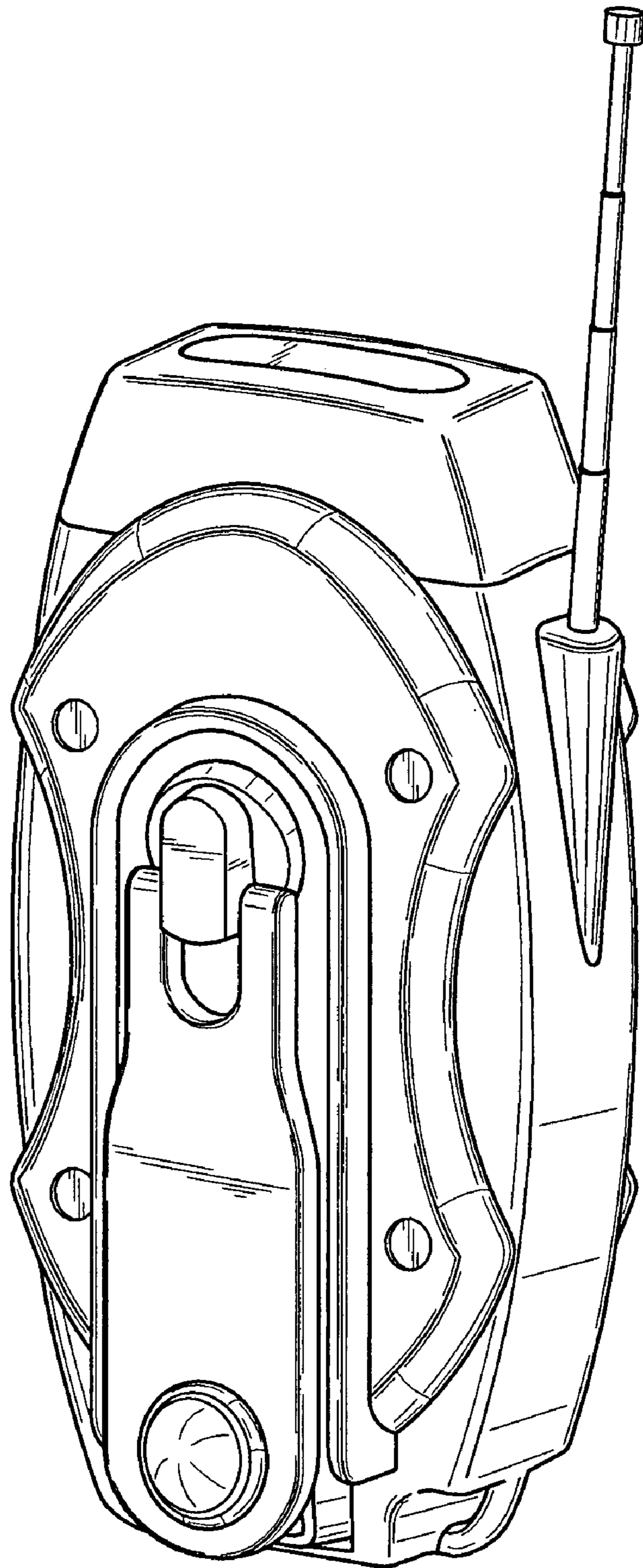


Fig. 10

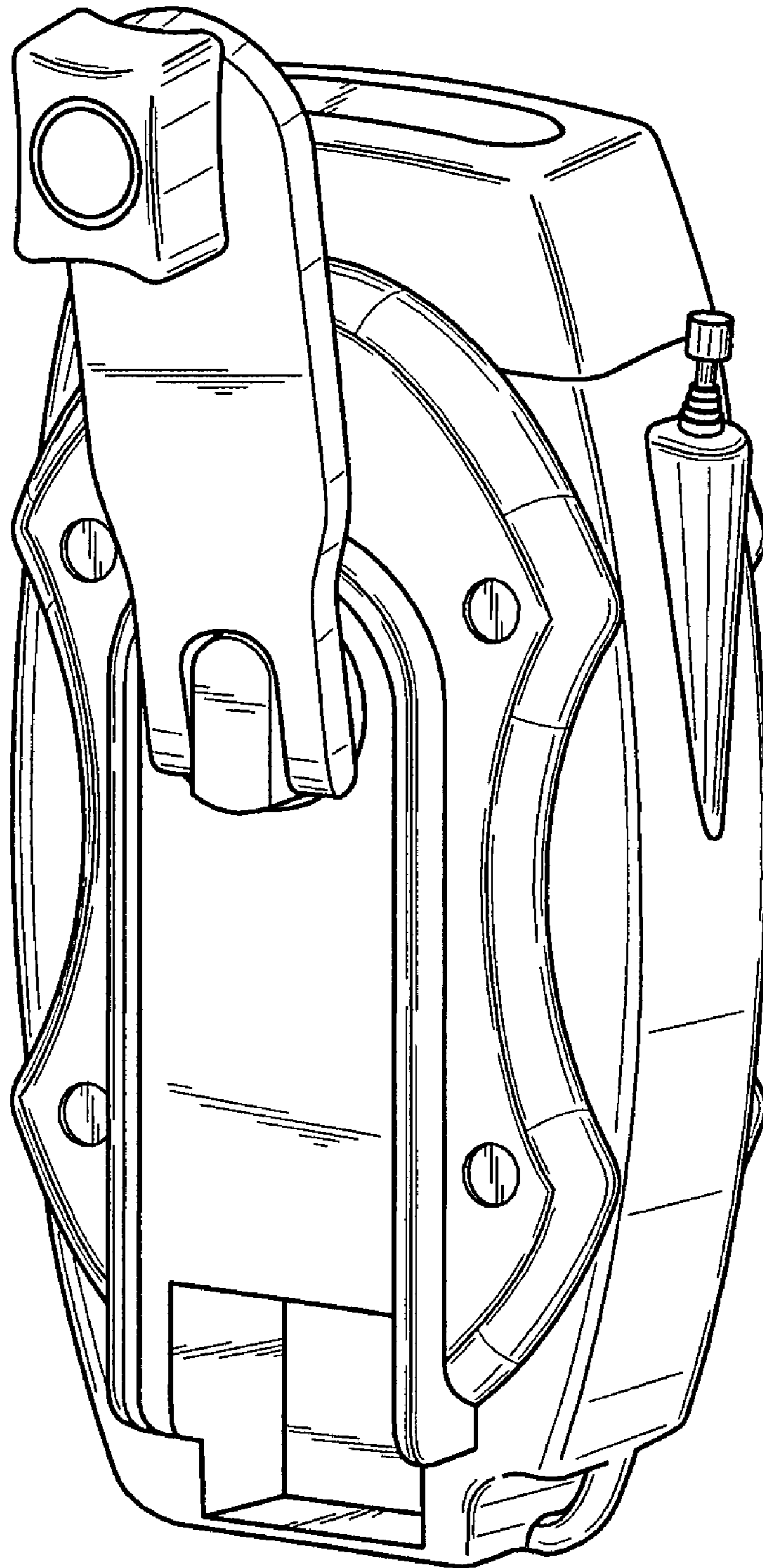


Fig. 11