



US00D564385S

(12) **United States Design Patent**  
**Worth et al.**

(10) **Patent No.:** **US D564,385 S**  
(45) **Date of Patent:** **\*\* Mar. 18, 2008**

(54) **COLONY COUNTER**

(75) Inventors: **Cory Worth**, San Mateo, CA (US);  
**Jean Ellen Kiple**, Lake Villa, IL (US);  
**Michael F. De Rossi**, Lindenhurst, IL  
(US); **Nicole Smokowicz**, Des Plaines,  
IL (US)

(73) Assignee: **Heathrow Scientific LLC**, Vernon  
Hills, IL (US)

(\*\*) Term: **14 Years**

(21) Appl. No.: **29/275,393**

(22) Filed: **Dec. 22, 2006**

(51) **LOC (8) Cl.** ..... **10-04**

(52) **U.S. Cl.** ..... **D10/97**

(58) **Field of Classification Search** ..... D10/97;  
235/64; 346/14 R, 14 MR, 143; 377/1,  
377/15, 6, 112, 115; 401/6, 7, 8, 194, 195  
See application file for complete search history.

(56) **References Cited**

**U.S. PATENT DOCUMENTS**

278,201 A	5/1883	Tegardine	
1,007,350 A	10/1911	Goodin	
1,299,923 A	4/1919	Easton	
2,548,478 A	4/1951	Kavanagh	
2,782,762 A	2/1957	Young	
3,808,408 A	4/1974	Given et al.	
4,295,038 A	10/1981	Kreinbrink et al.	
4,993,050 A	2/1991	Carpenteri et al.	
H1050 H	5/1992	Petrillo	
5,506,876 A	4/1996	Homer	
D387,294 S *	12/1997	McCormick	..... D10/97

5,995,123 A	11/1999	McCormick	
6,276,855 B1	8/2001	Hsien	
6,554,515 B2 *	4/2003	Debbas	..... 401/6
6,773,183 B2 *	8/2004	Geddes et al.	..... 401/6
7,097,377 B1 *	8/2006	Rigoni	..... 401/195

**OTHER PUBLICATIONS**

“Colony Counter, SC6” Bartoworld Scientific Laboratory Group US  
(available at least as early as Jun. 2006).

\* cited by examiner

*Primary Examiner*—Antoine D. Davis

(74) *Attorney, Agent, or Firm*—Michael Best & Friedrich  
LLP

(57) **CLAIM**

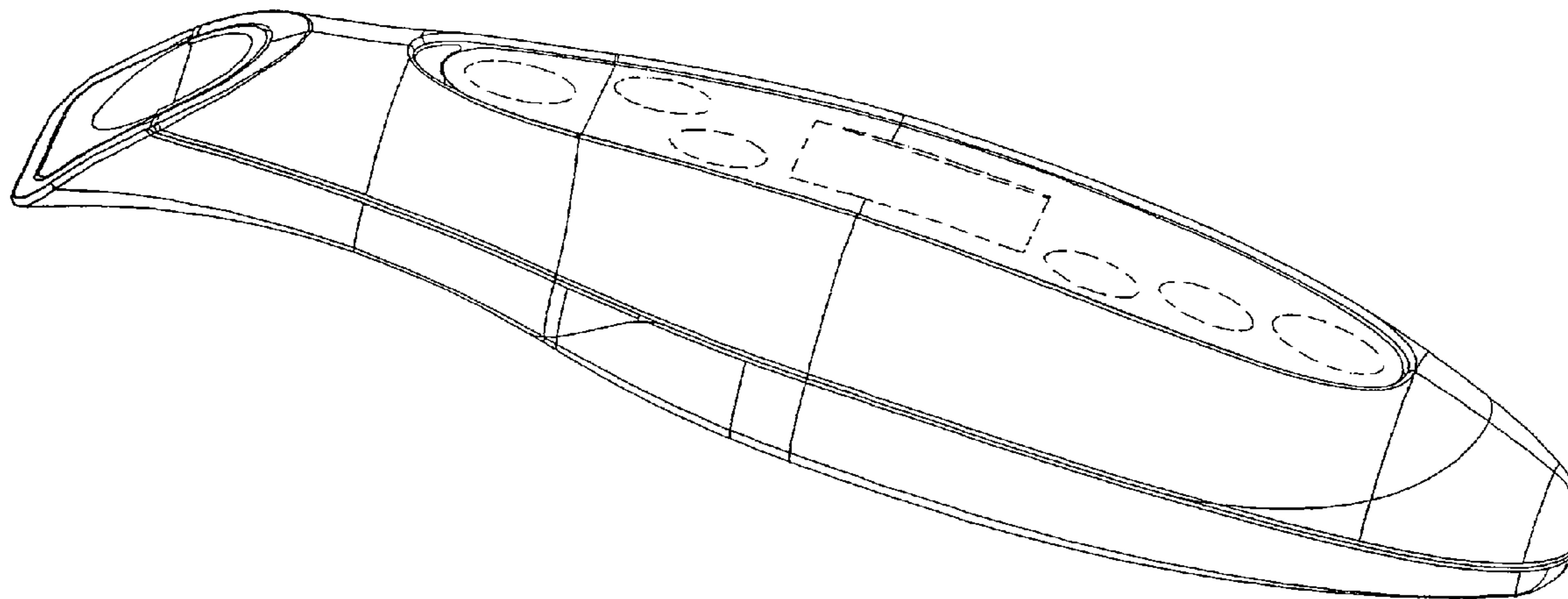
The ornamental design for a colony counter, as shown.

**DESCRIPTION**

FIG. 1 is a perspective view of the colony counter;  
FIG. 2 is a right side elevation view of the colony counter  
of FIG. 1, the side opposite being a mirror image;  
FIG. 3 is a top view of the colony counter of FIG. 1;  
FIG. 4 is a bottom view of the colony counter of FIG. 1;  
FIG. 5 is a front elevation view of the colony counter of FIG.  
1; and,  
FIG. 6 is a rear elevation view of the colony counter of FIG.  
1.

The broken line showing is included for the purpose of  
illustrating non-claimed subject matter and forms no part of  
the claimed design.

**1 Claim, 5 Drawing Sheets**



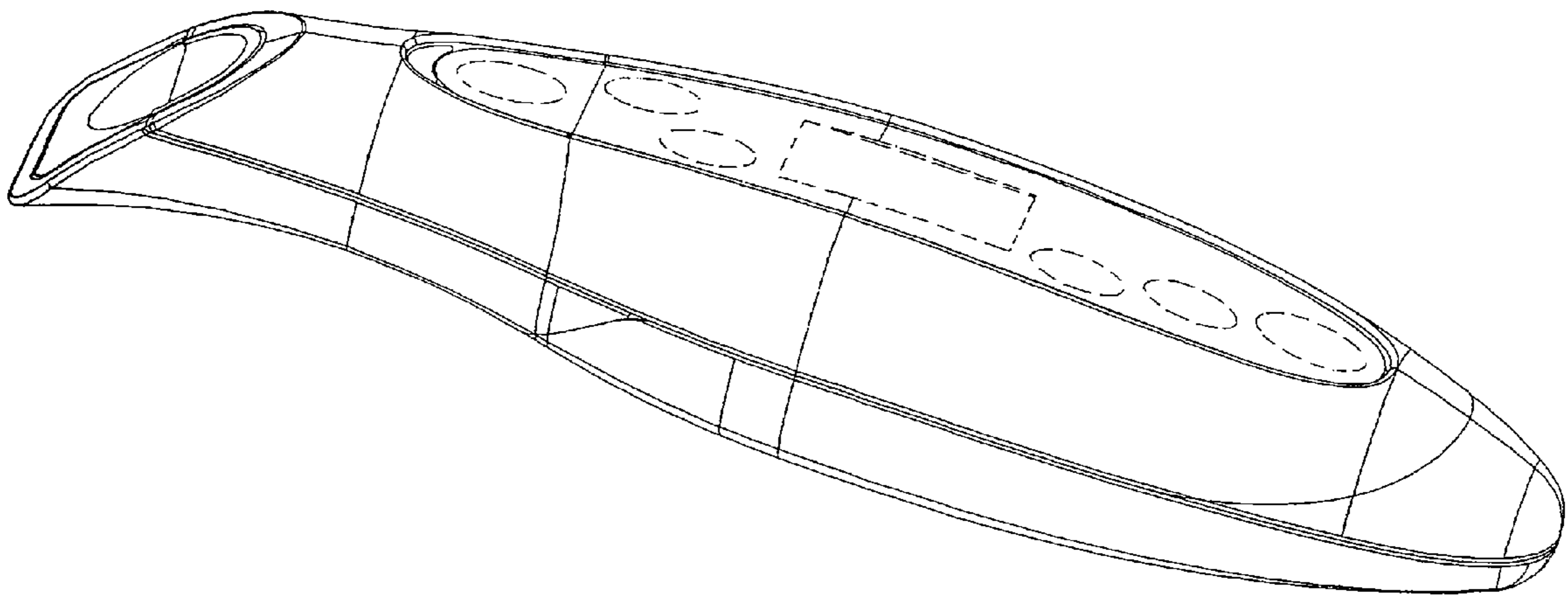


FIG. 1

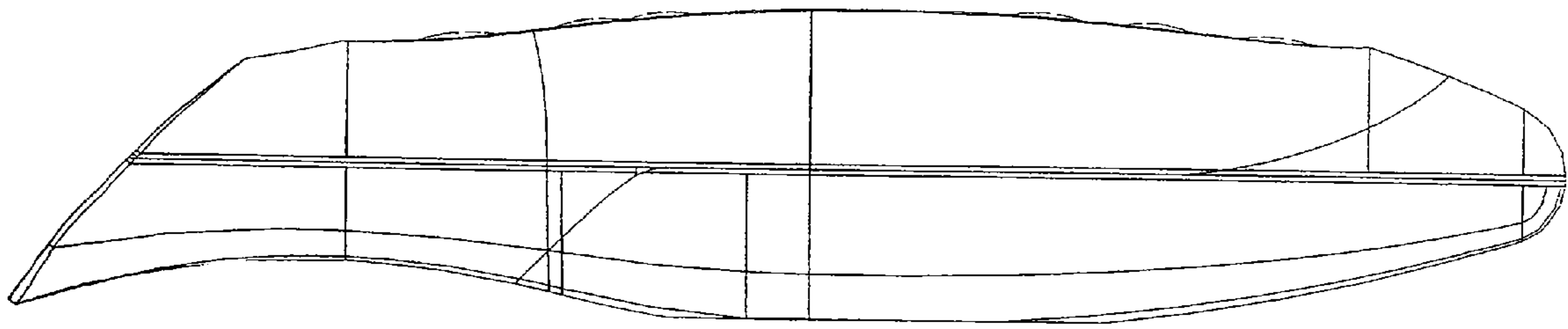


FIG. 2

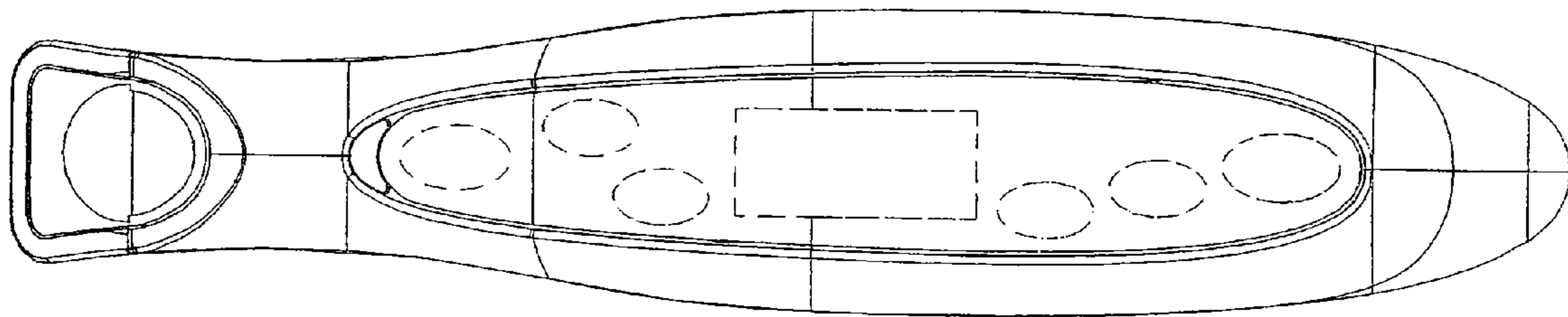


FIG. 3

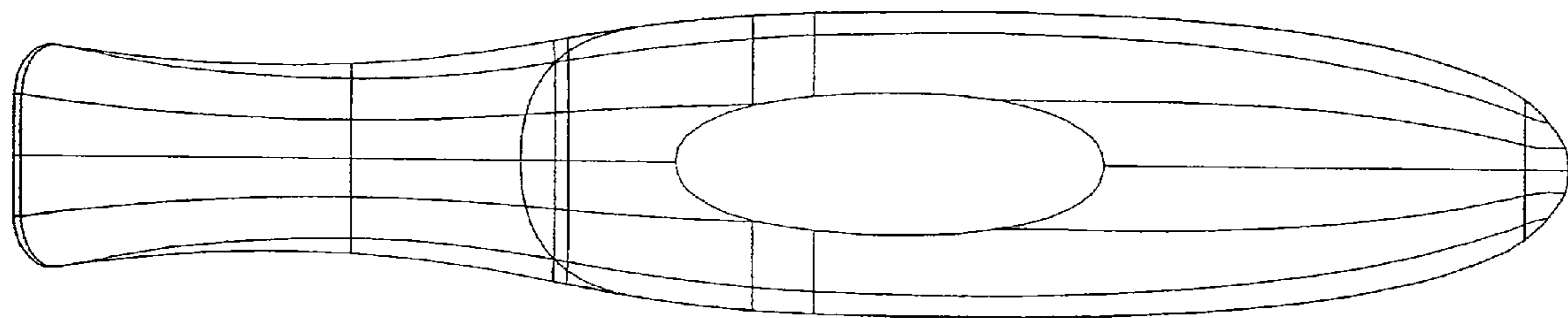


FIG. 4

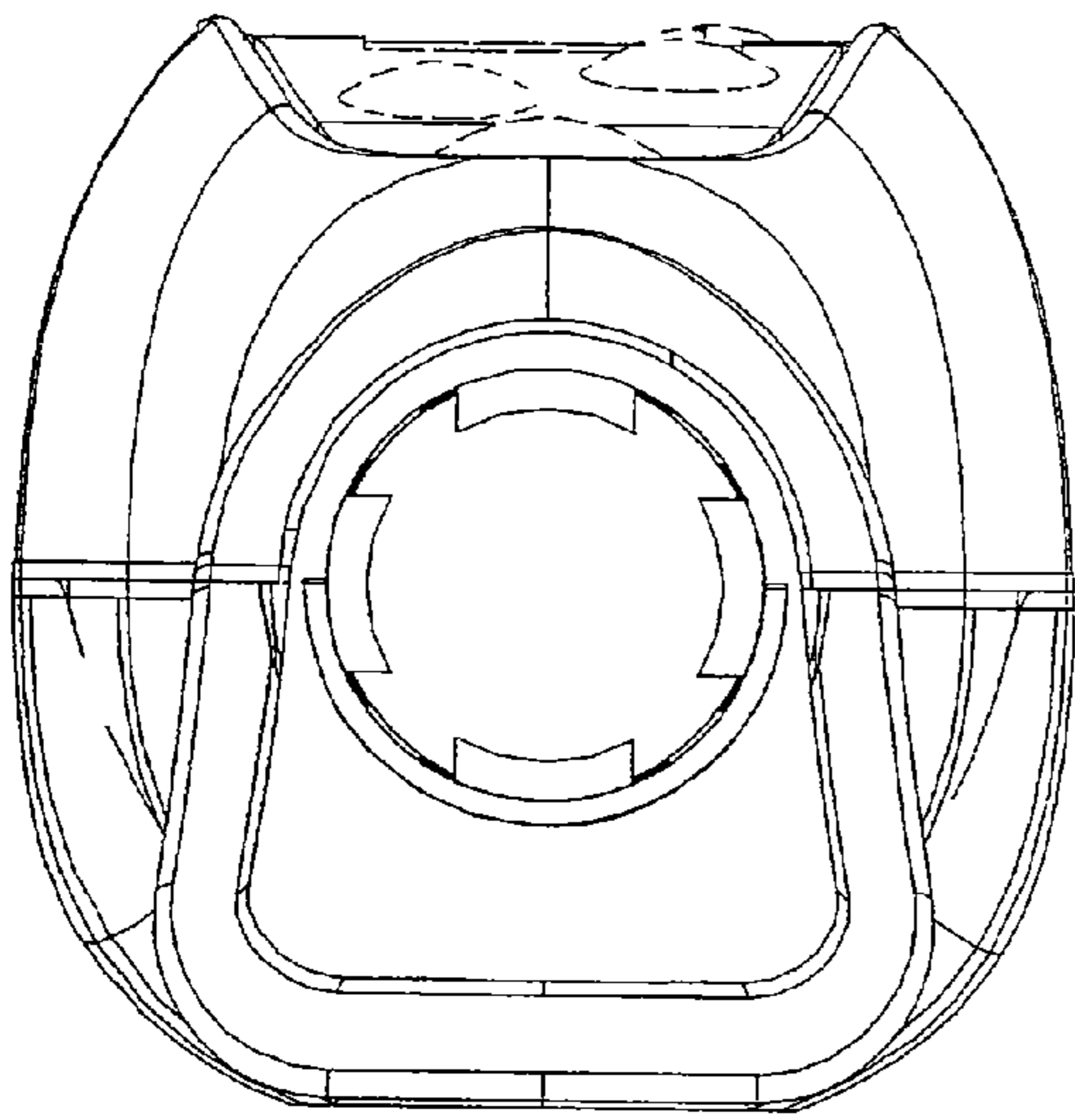


FIG. 5

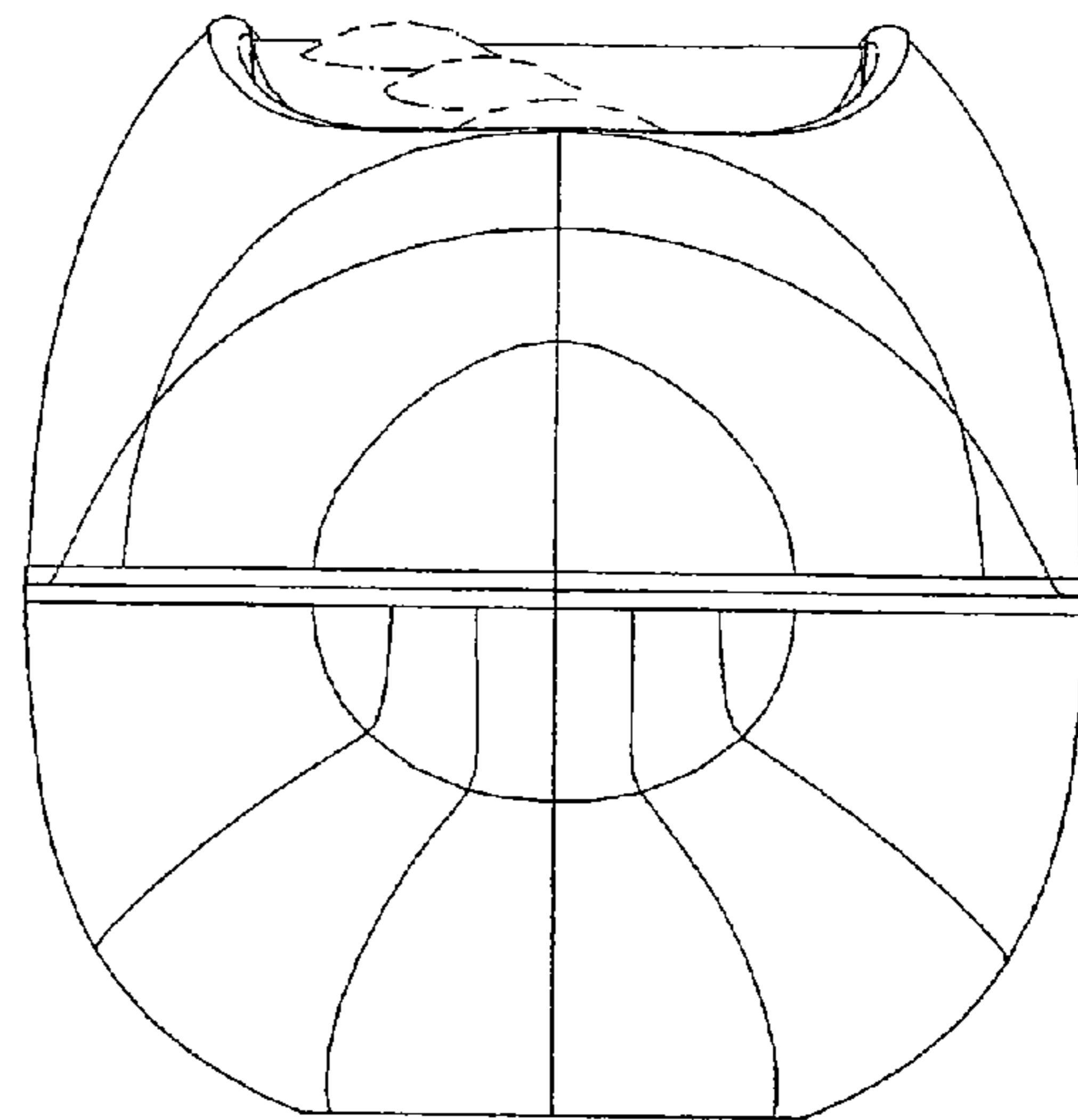


FIG. 6