



US00D564384S

(12) **United States Design Patent**  
**Kapitulskiy**

(10) **Patent No.:** **US D564,384 S**

(45) **Date of Patent:** **\*\* Mar. 18, 2008**

- (54) **LIQUID SAMPLING APPARATUS**
- (76) Inventor: **Alexander Kapitulskiy**, 31 Tzealon Street, Afula, 18771 (IL)
- (\*\*) Term: **14 Years**
- (21) Appl. No.: **29/264,612**
- (22) Filed: **Aug. 14, 2006**
- (30) **Foreign Application Priority Data**  
Feb. 13, 2006 (IL) ..... 42017
- (51) **LOC (8) Cl.** ..... **10-04**
- (52) **U.S. Cl.** ..... **D10/96; D10/81**
- (58) **Field of Classification Search** ..... D10/81,  
D10/96; 73/861.355, 861.357, 864.63-864.66;  
702/45  
See application file for complete search history.

- D440,168 S \* 4/2001 Lister et al. .... D10/96
- 7,077,014 B2 \* 7/2006 Rieder et al. .... 73/861.357
- 7,188,035 B2 \* 3/2007 Matt ..... 702/45

\* cited by examiner

*Primary Examiner*—Antoine D. Davis  
(74) *Attorney, Agent, or Firm*—Frishauf, Holtz, Goodman & Chick, P.C.

(57) **CLAIM**

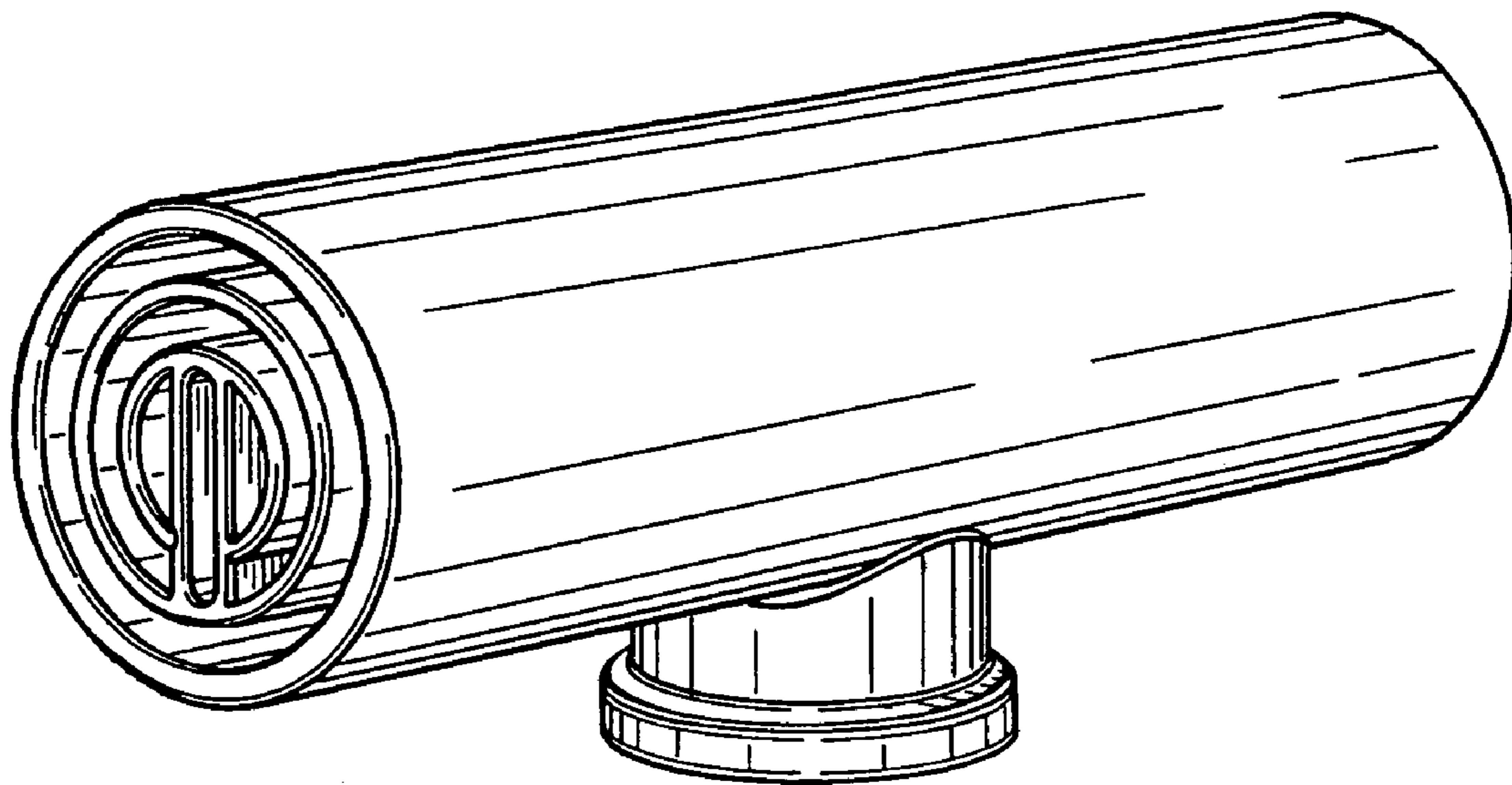
The ornamental design for a liquid sampling apparatus, as shown.

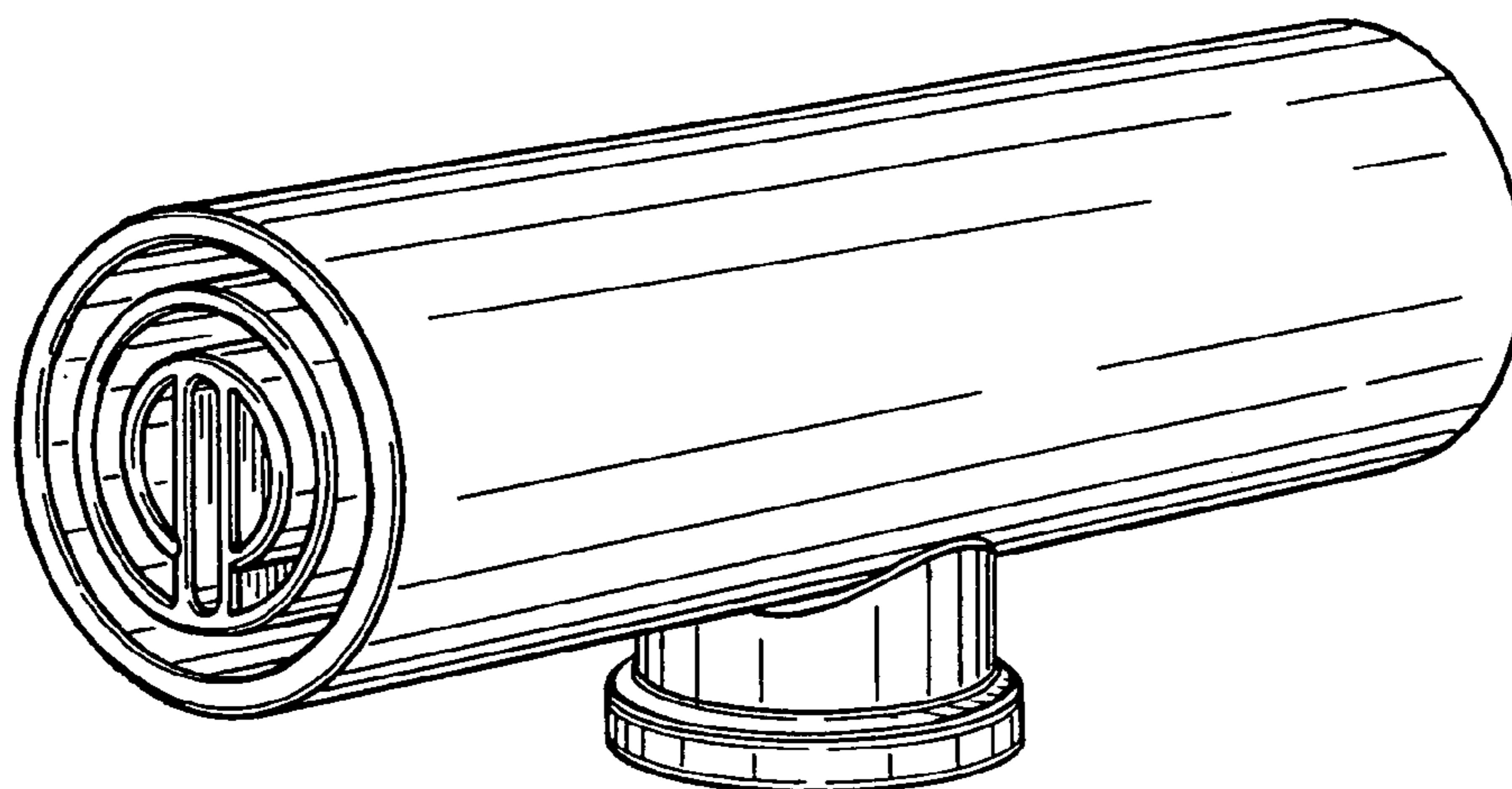
**DESCRIPTION**

- FIG. 1 is a top, front, left side perspective view of a liquid sampling apparatus;
- FIG. 2 is a front elevational view thereof;
- FIG. 3 is a top plan view thereof;
- FIG. 4 is a bottom plan view thereof;
- FIG. 5 is a left side elevational view thereof; and,
- FIG. 6 is a bottom, rear, right side perspective view thereof.

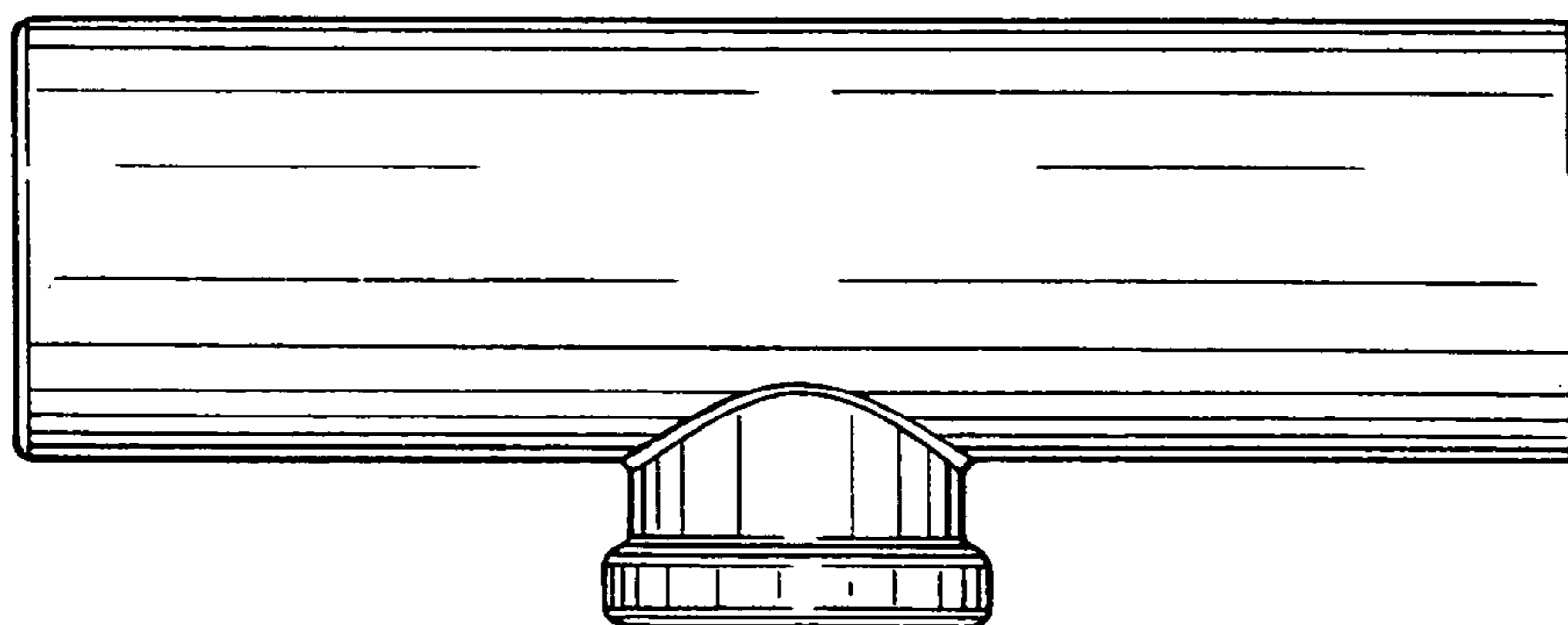
- (56) **References Cited**  
U.S. PATENT DOCUMENTS  
4,213,342 A \* 7/1980 Gates ..... 73/864.61  
5,113,711 A \* 5/1992 Davloor et al. .... 73/864.63  
D435,227 S \* 12/2000 Lister et al. .... D10/96

**1 Claim, 2 Drawing Sheets**

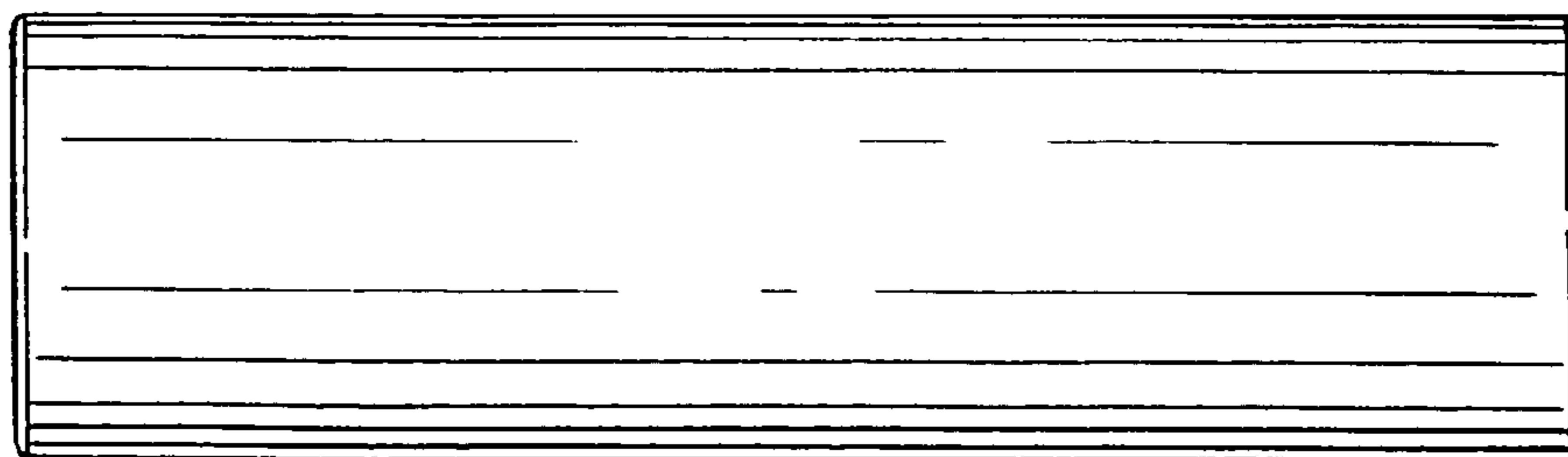




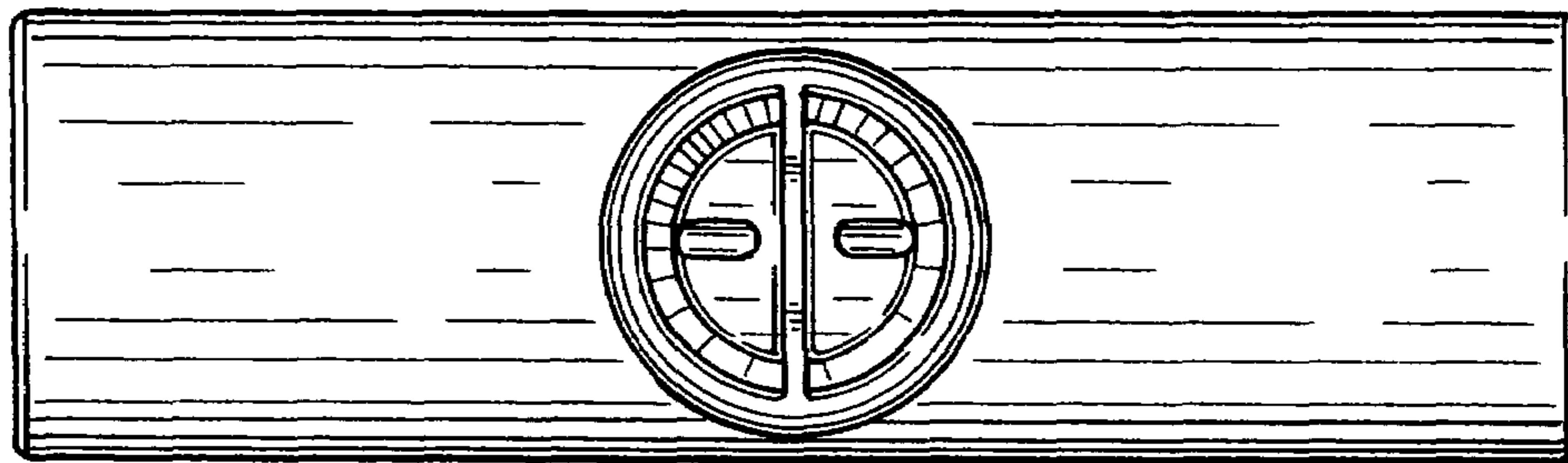
*Fig. 1*



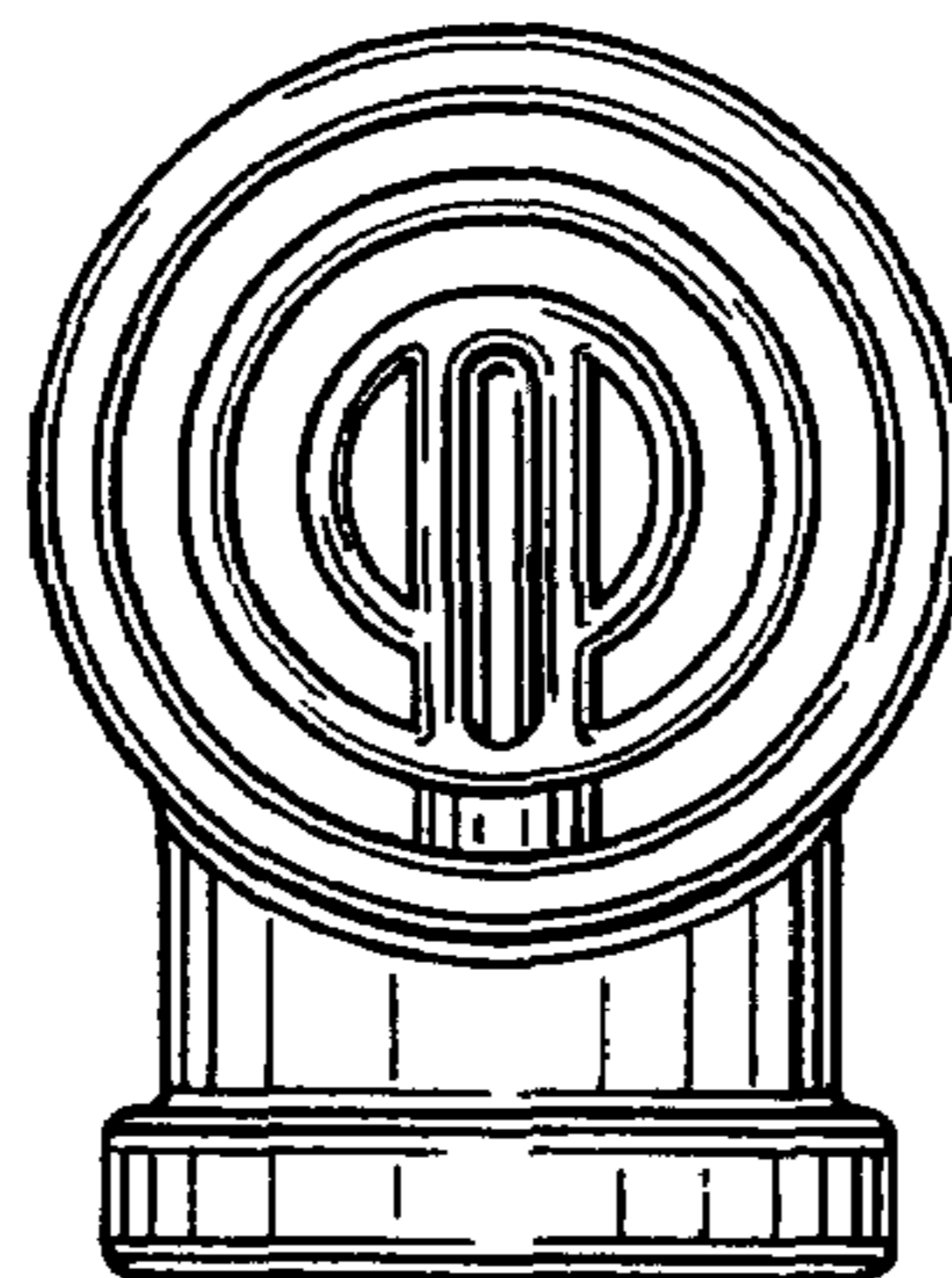
*Fig. 2*



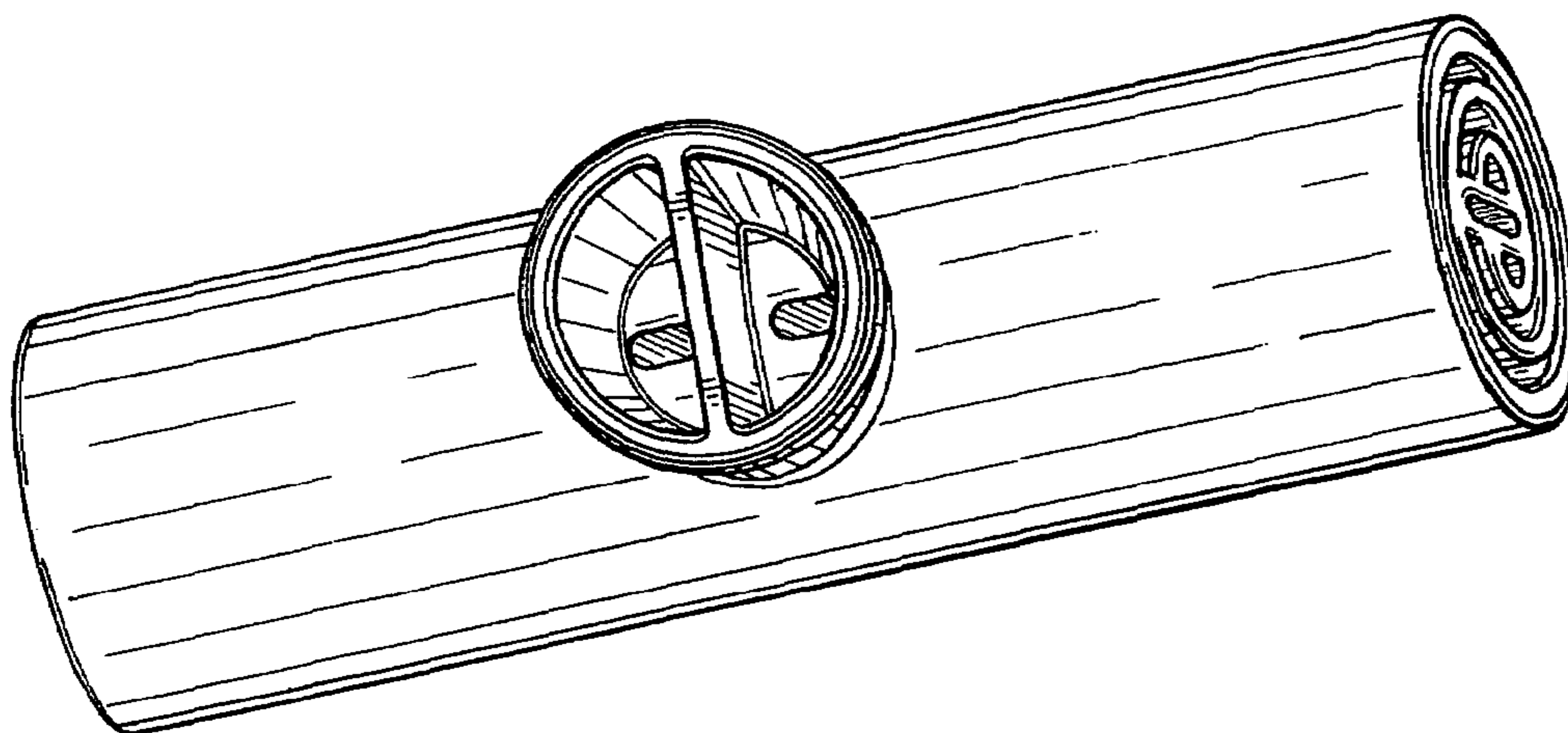
*Fig. 3*



*Fig. 4*



*Fig. 5*



*Fig. 6*