



US00D564382S

(12) **United States Design Patent**  
**Lai et al.**

(10) **Patent No.:** **US D564,382 S**  
(45) **Date of Patent:** **\*\* Mar. 18, 2008**

(54) **DIGITAL HAND-DYNAMOMETER**

(75) Inventors: **Heng-Chih Lai**, Dah Li (TW);  
**Wei-Ting Hsu**, Dah Li (TW)

(73) Assignee: **Charder Electronic Co., Ltd.**,  
Taichung Hsien (TW)

(\*\*) Term: **14 Years**

(21) Appl. No.: **29/278,730**

(22) Filed: **Apr. 7, 2007**

(51) **LOC (8) Cl.** ..... **10-04**

(52) **U.S. Cl.** ..... **D10/85**

(58) **Field of Classification Search** ..... D10/83-85;  
73/1.08, 1.13, 1.14, 1.15, 379.01-379.03;  
482/1, 5, 8, 9, 49, 91, 111, 901, 902; 600/595;  
601/23

See application file for complete search history.

(56) **References Cited**

**U.S. PATENT DOCUMENTS**

- 5,527,240 A \* 6/1996 Chen ..... 482/49
- D412,295 S \* 7/1999 Waldvogel et al. .... D10/85
- 2004/0088827 A1\* 5/2004 Tillim ..... 16/430

- 2006/0035762 A1\* 2/2006 Smyser et al. .... 482/91
- 2006/0064042 A1\* 3/2006 Smyser et al. .... 600/595
- 2007/0265148 A1\* 11/2007 Lin ..... 482/111

\* cited by examiner

*Primary Examiner*—Antoine D. Davis

(74) *Attorney, Agent, or Firm*—Banger Shia

(57) **CLAIM**

The ornamental design for a digital hand-dynamometer, as shown and described.

**DESCRIPTION**

FIG. 1 is a perspective view of a digital hand-dynamometer showing our new design;

FIG. 2 is a front elevational view thereof;

FIG. 3 is a rear elevational view thereof,

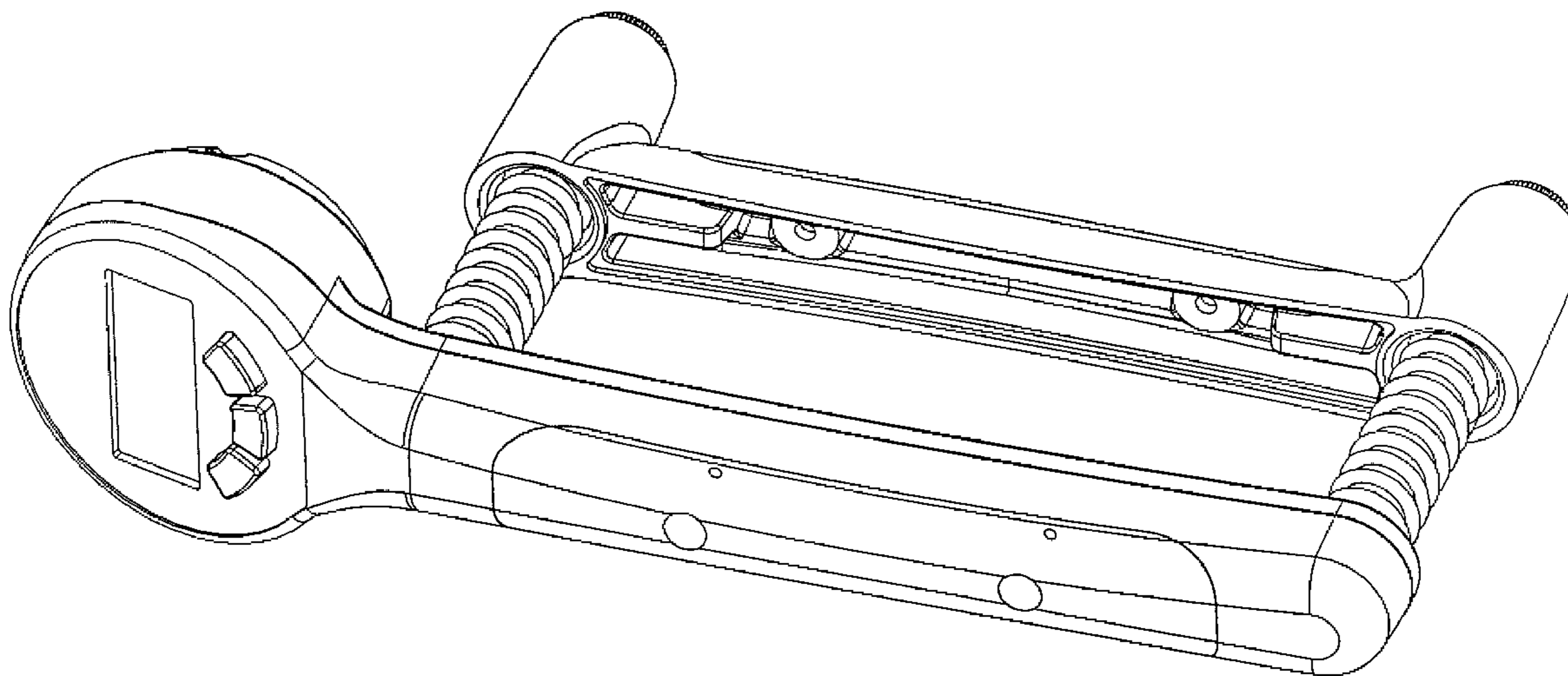
FIG. 4 is a left side elevational view thereof,

FIG. 5 is a right side elevational view thereof,

FIG. 6 is a top plan view thereof; and,

FIG. 7 is a bottom plan view to that shown.

**1 Claim, 5 Drawing Sheets**



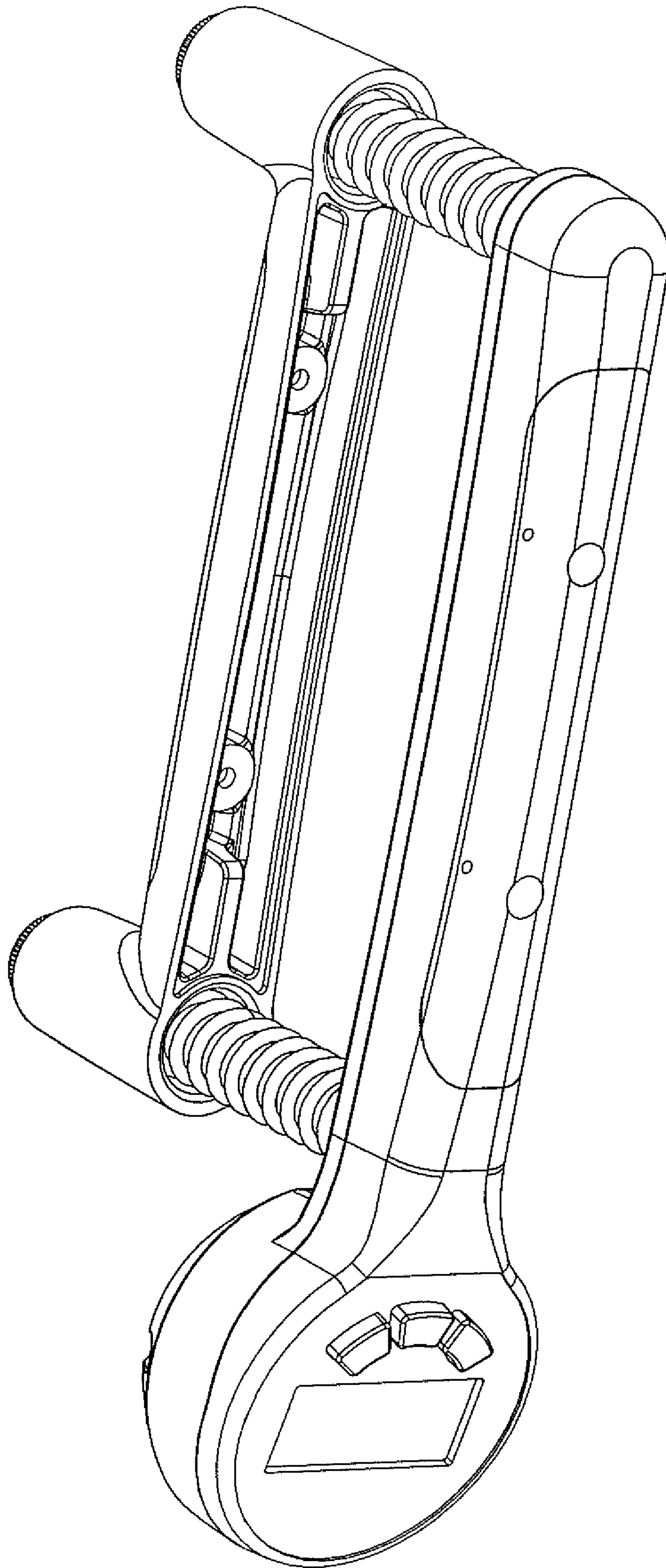


FIG. 1

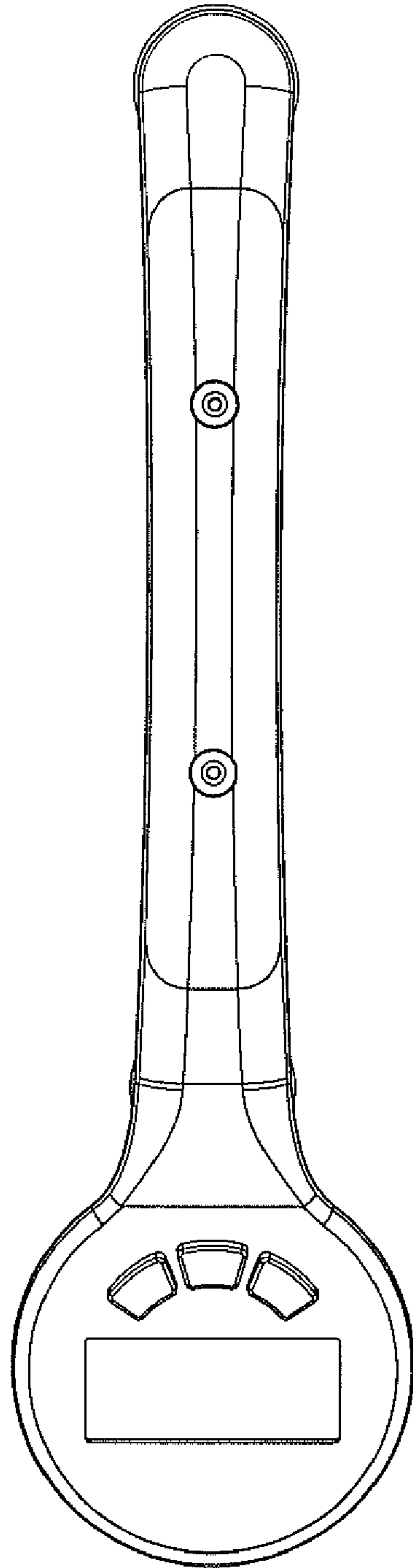


FIG. 2

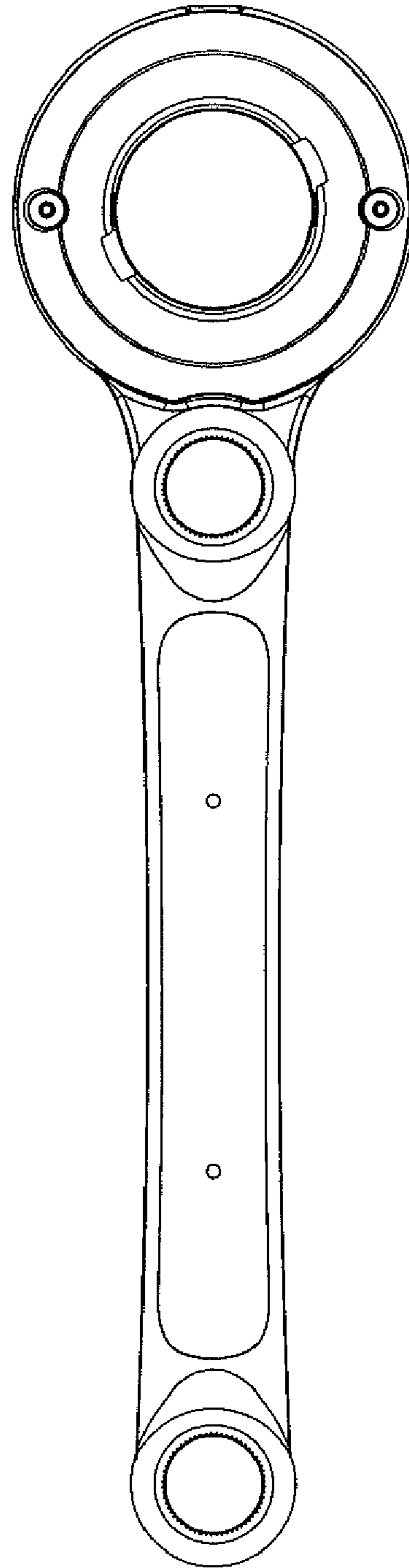


FIG. 3

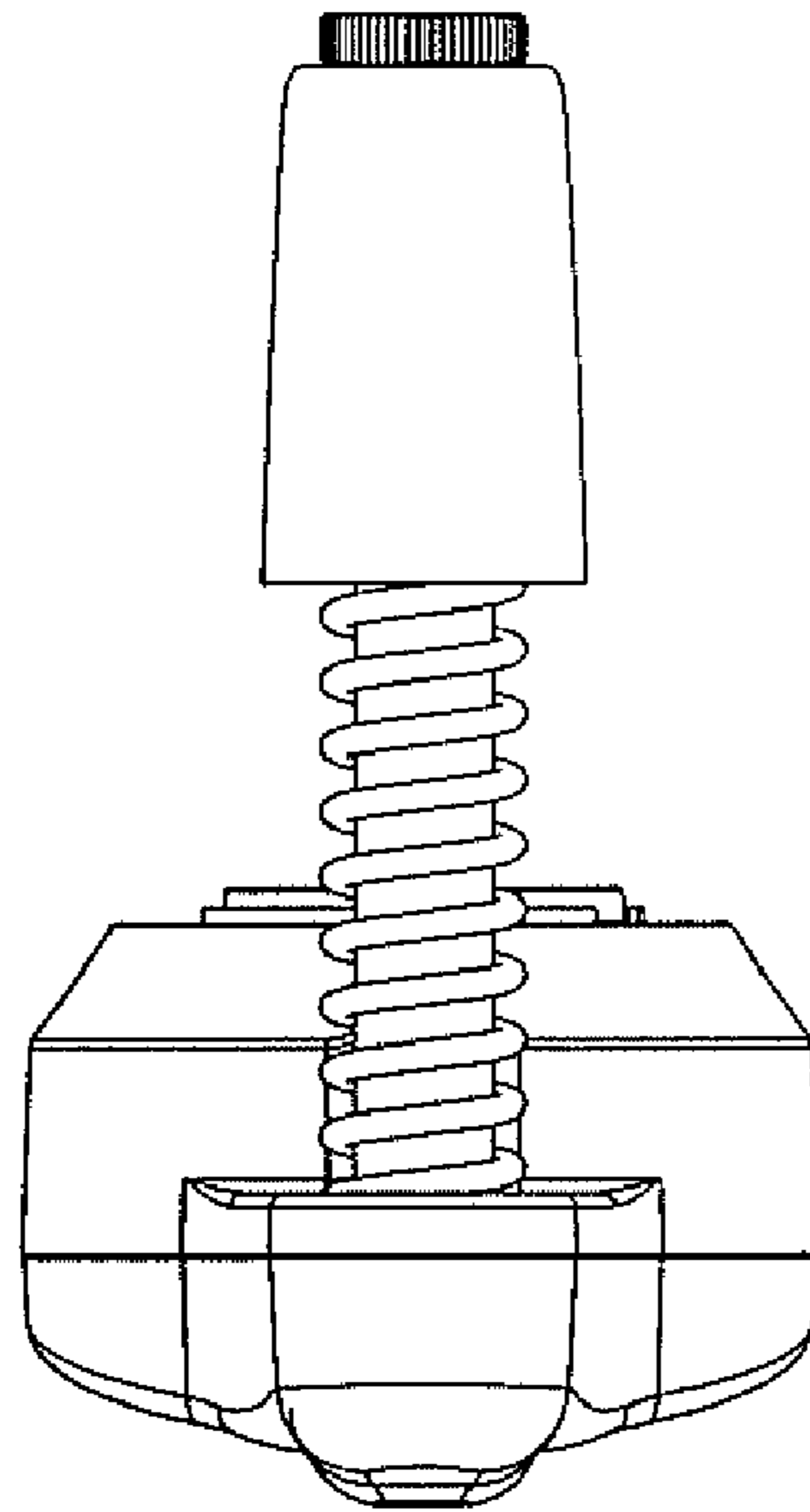


FIG. 5

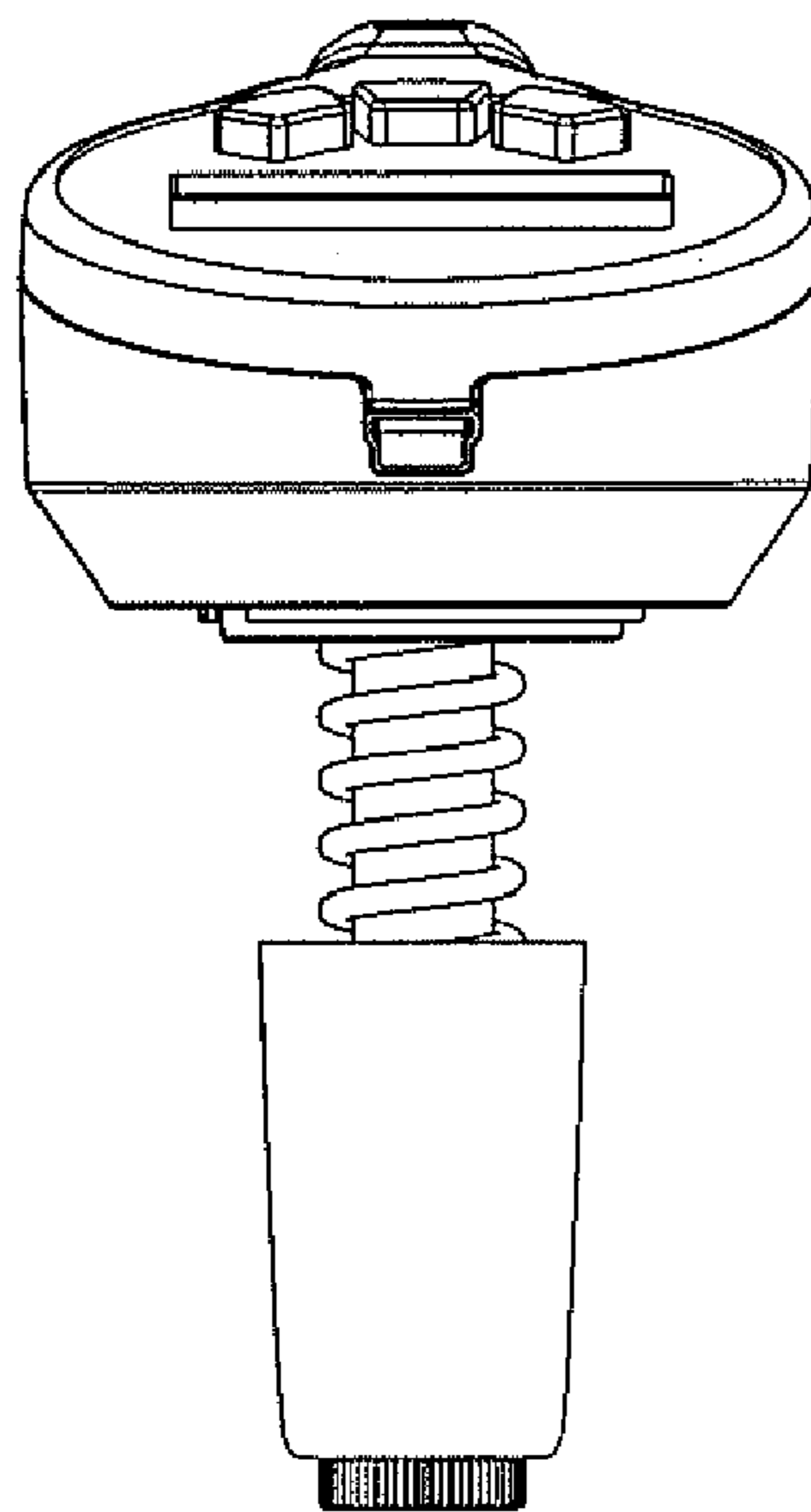


FIG. 4

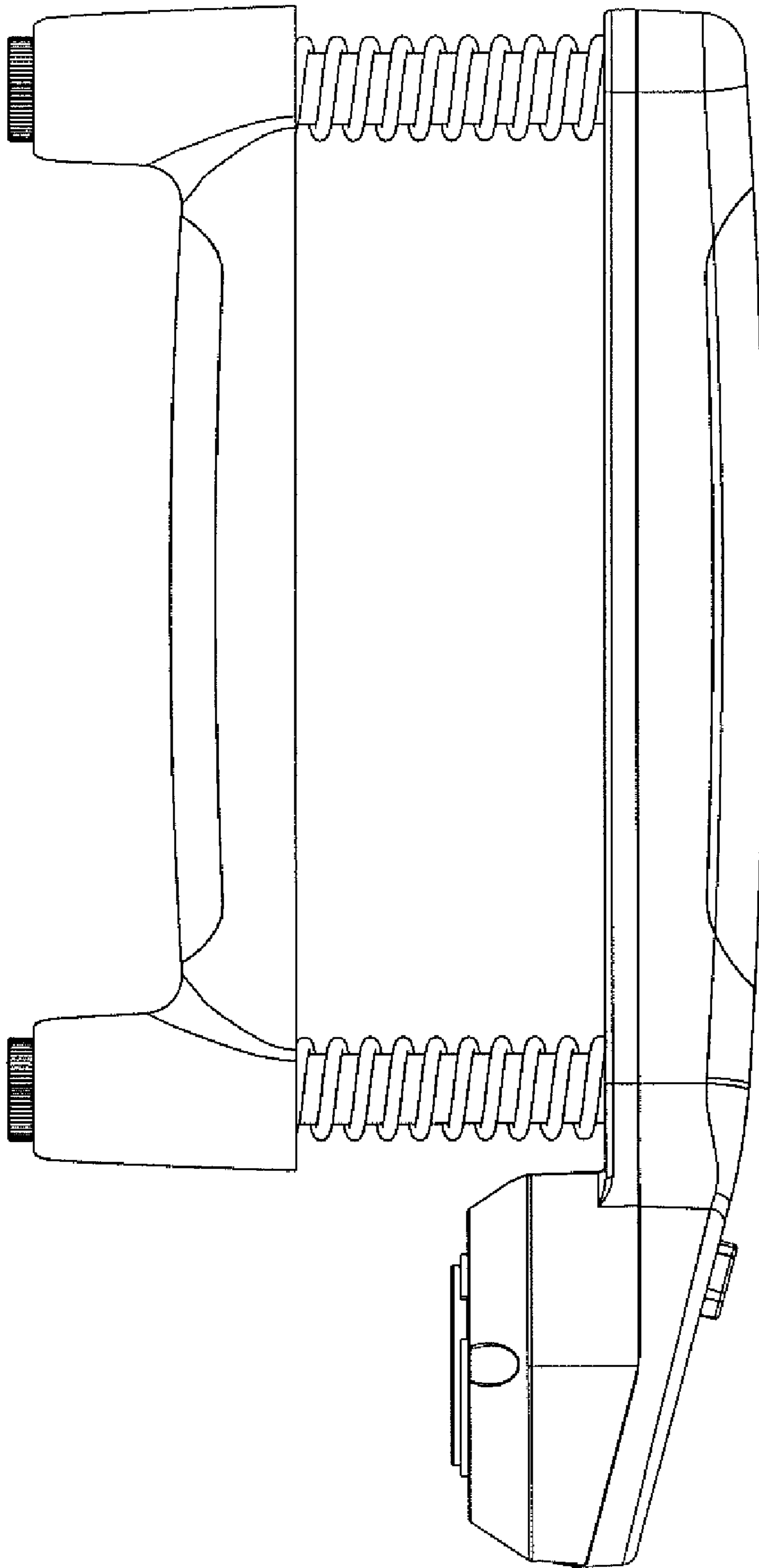


FIG. 6

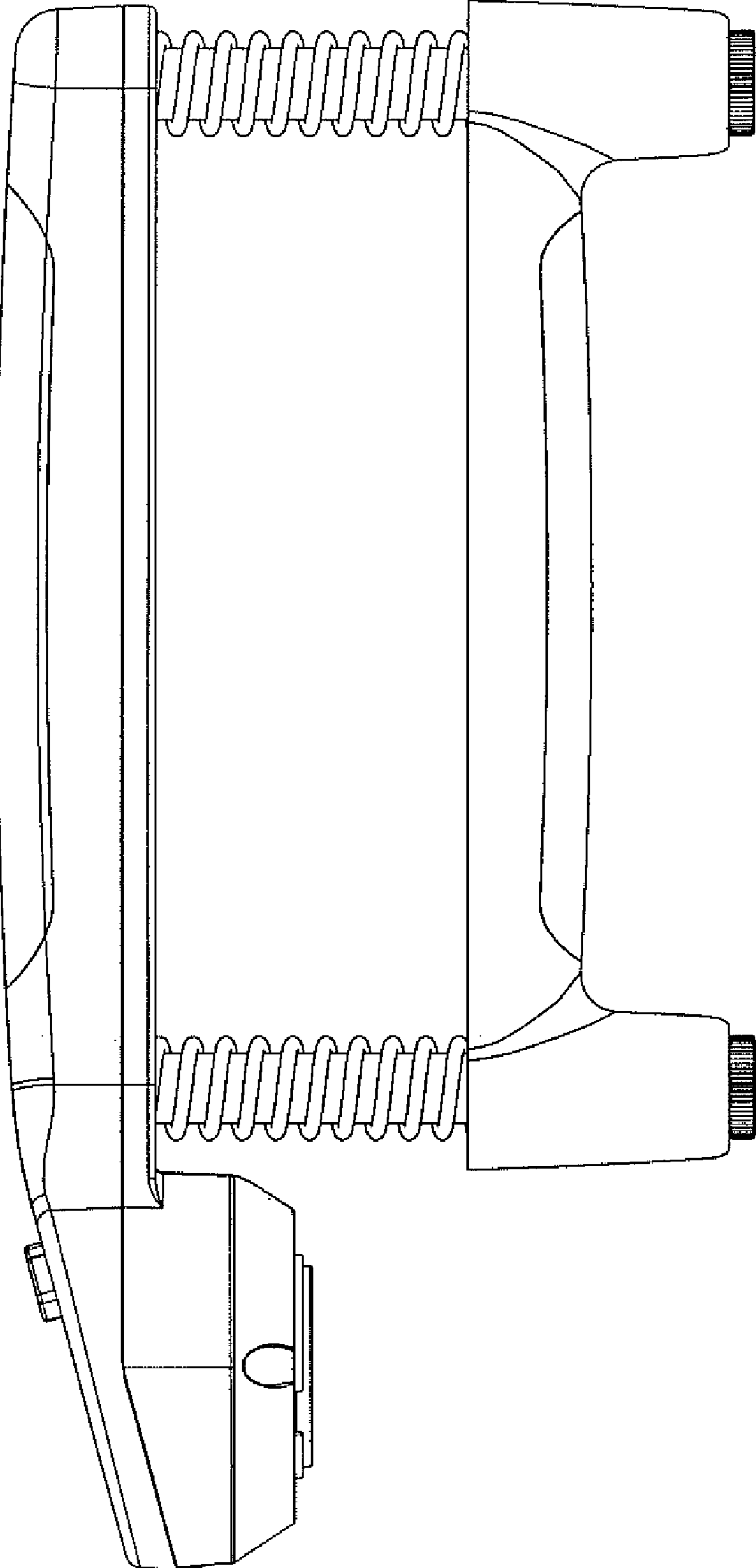


FIG. 7