



US00D564379S

(12) **United States Design Patent**
Kaushal et al.

(10) **Patent No.:** **US D564,379 S**

(45) **Date of Patent:** **** Mar. 18, 2008**

(54) **DIAGNOSTIC INSTRUMENT**

Primary Examiner—Antoine D. Davis

(75) Inventors: **Ashwani Kaushal**, Mississauga (CA);
Duncan MacIntyre, Campbellville
(CA)

(57) **CLAIM**

(73) Assignee: **NIR Diagnostics Inc.**, Campbellville,
Ontario (CA)

The ornamental design for a diagnostic instrument, as shown
and described.

(**) Term: **14 Years**

(21) Appl. No.: **29/276,248**

(22) Filed: **Jan. 19, 2007**

DESCRIPTION

(51) **LOC (8) Cl.** **10-04**

(52) **U.S. Cl.** **D10/78; D10/81**

(58) **Field of Classification Search** D10/78,
D10/81; 356/128–137, 243.1, 146, 300
See application file for complete search history.

FIG. 1 is a perspective view of the diagnostic instrument;
FIG. 2 is a front elevational view thereof;
FIG. 3 is a rear elevational view thereof;
FIG. 4 is a left side elevational view thereof;
FIG. 5 is a right side elevational view thereof;
FIG. 6 is a top plan view thereof; and,
FIG. 7 is a bottom elevational view thereof.

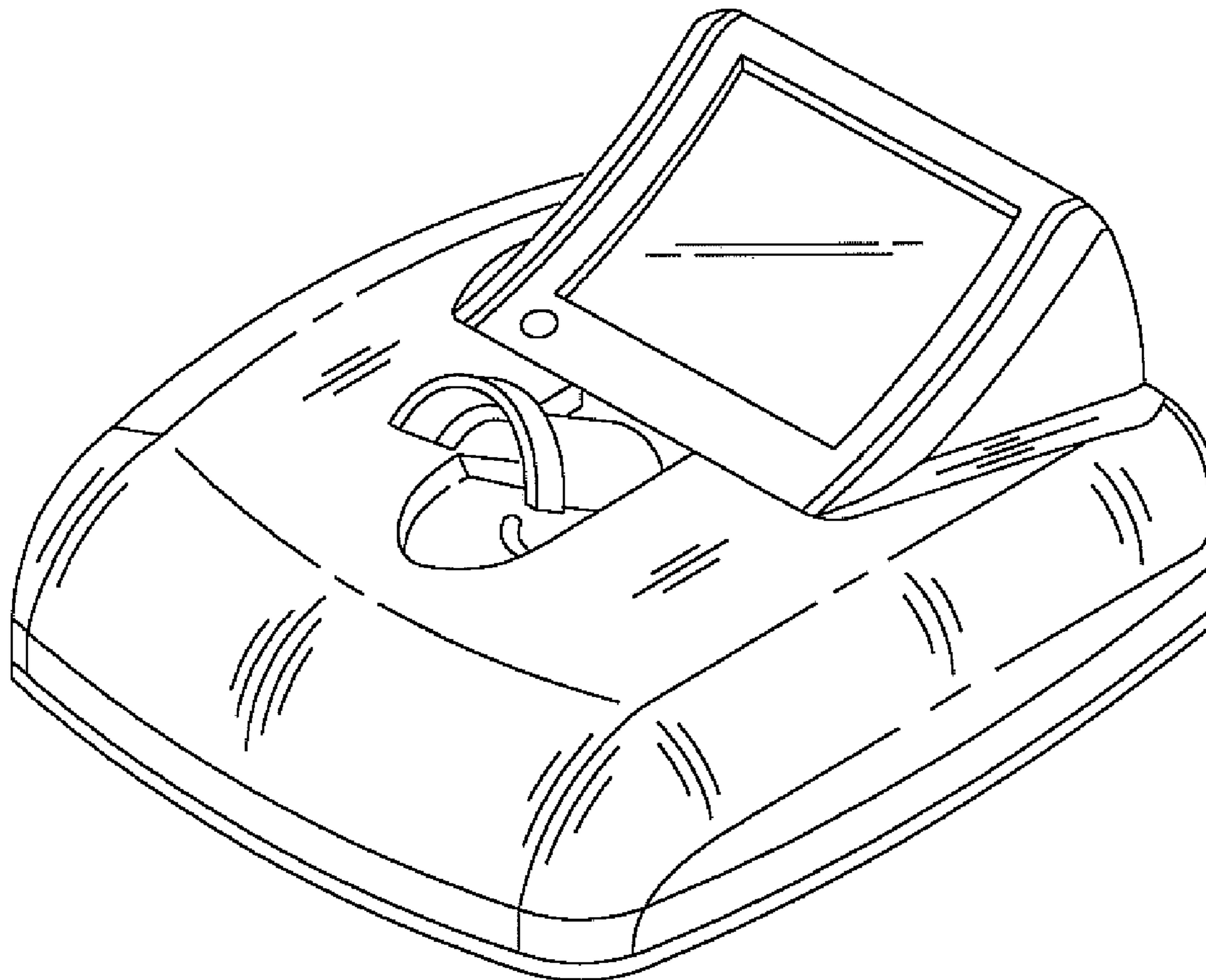
(56) **References Cited**

U.S. PATENT DOCUMENTS

D397,046 S * 8/1998 Oshizawa D10/78

* cited by examiner

1 Claim, 4 Drawing Sheets



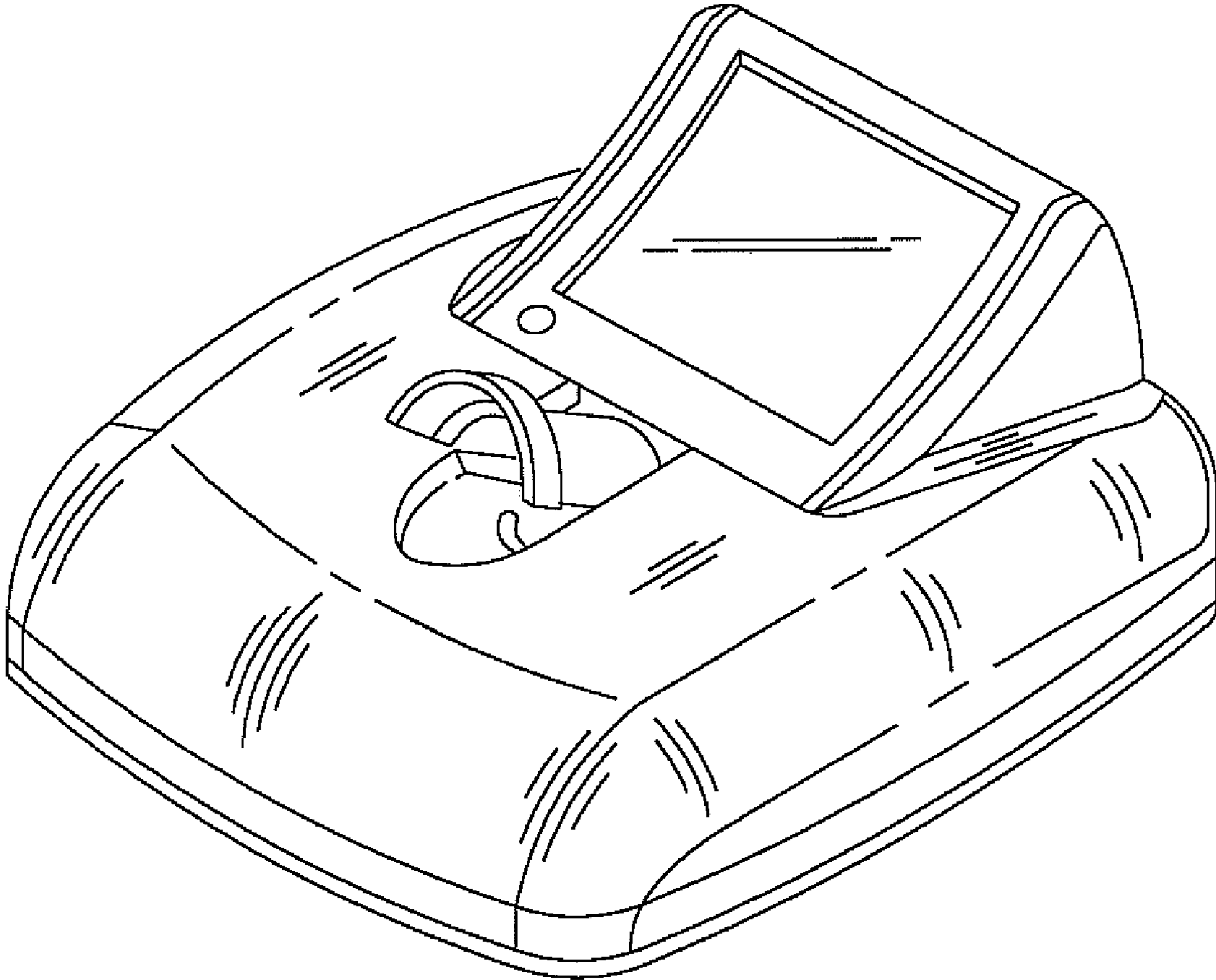


FIG. 1

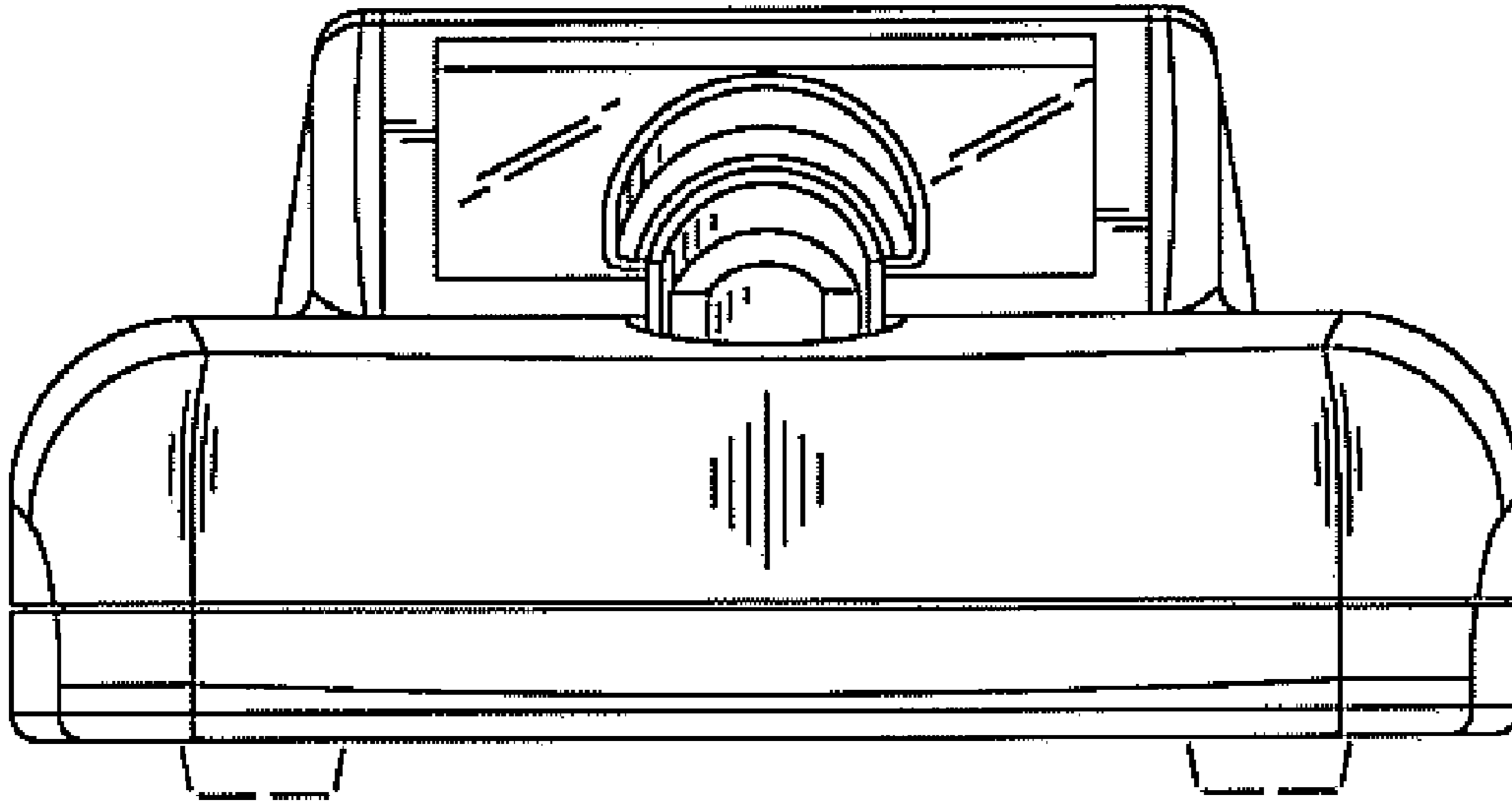


FIG. 2

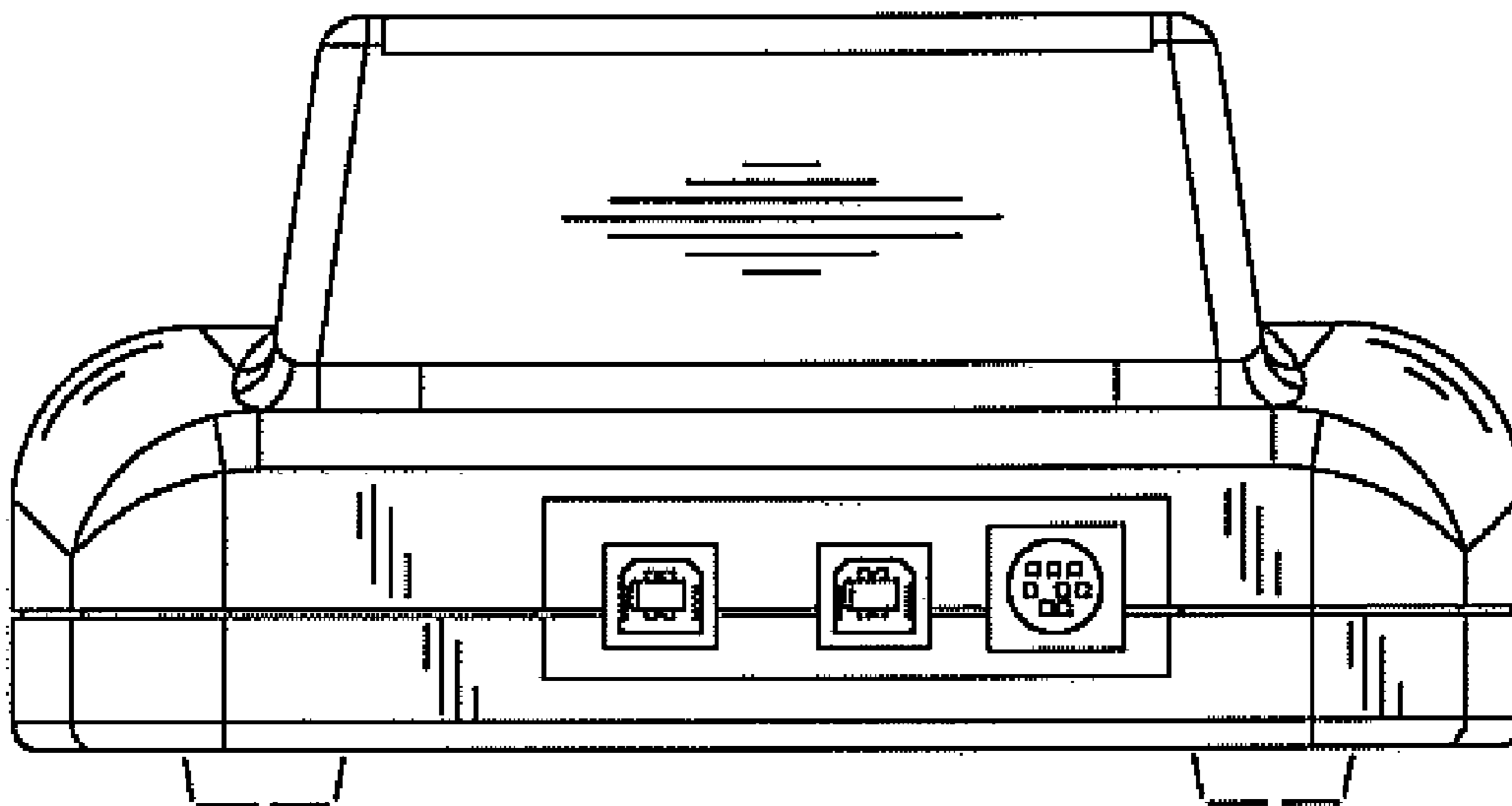


FIG. 3

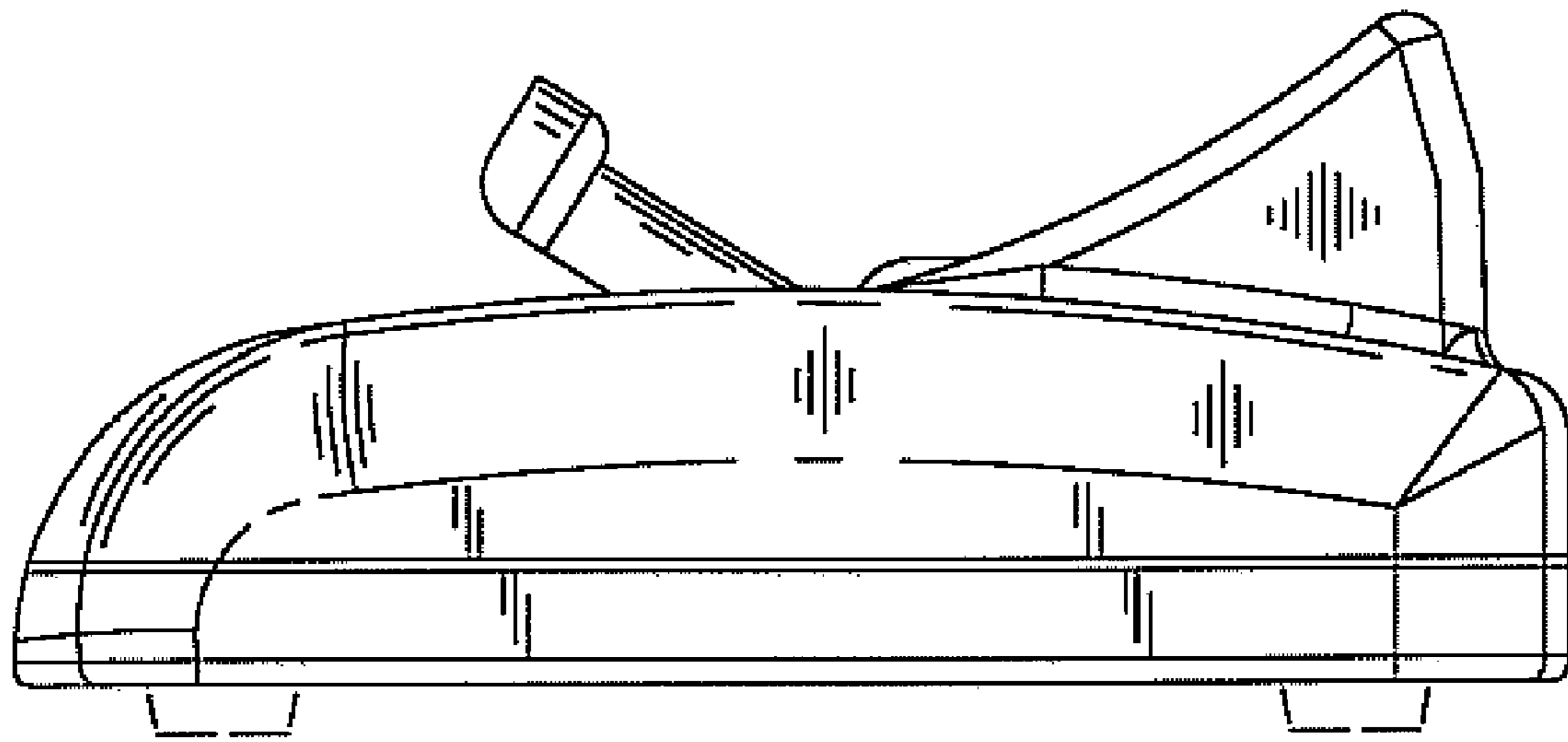


FIG. 4

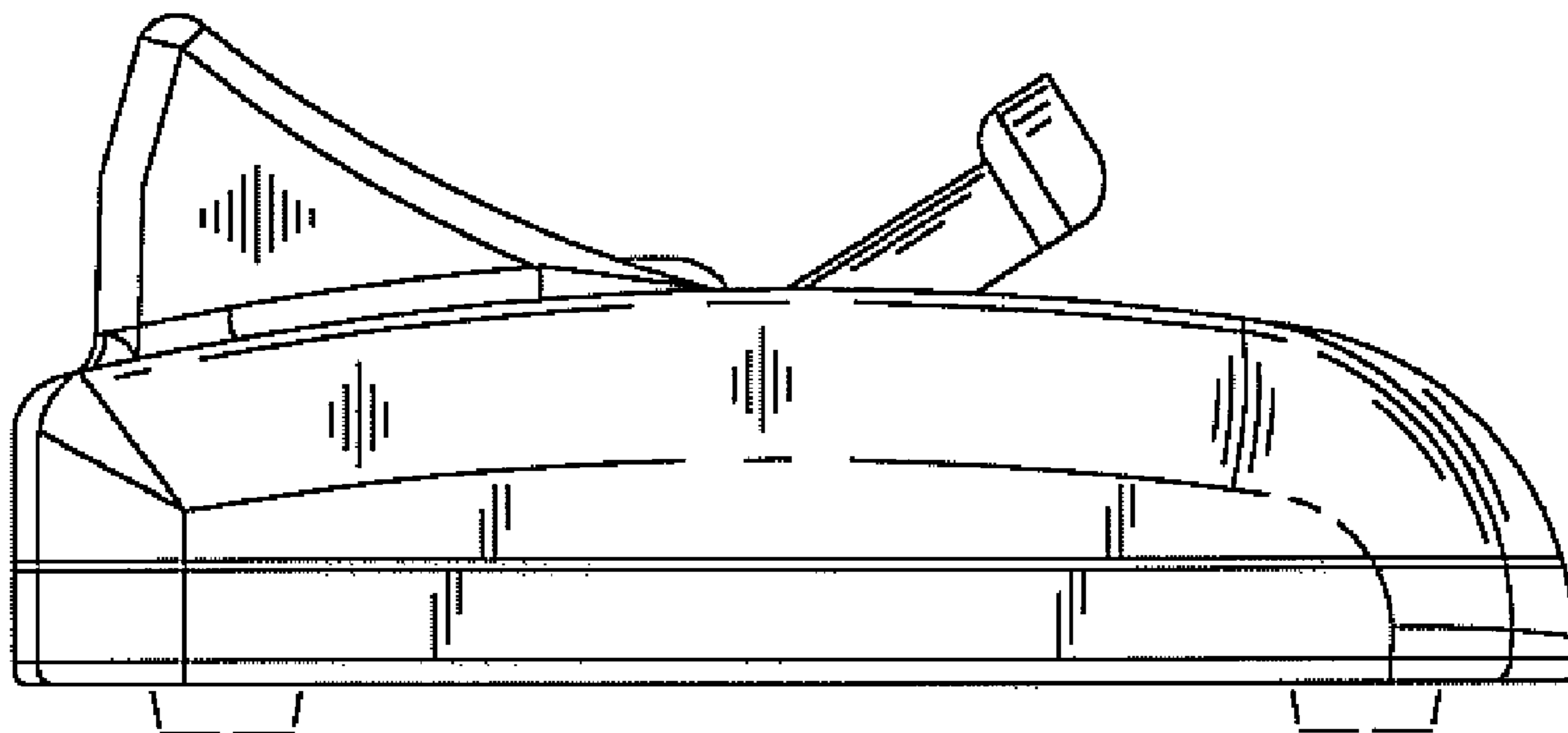


FIG. 5

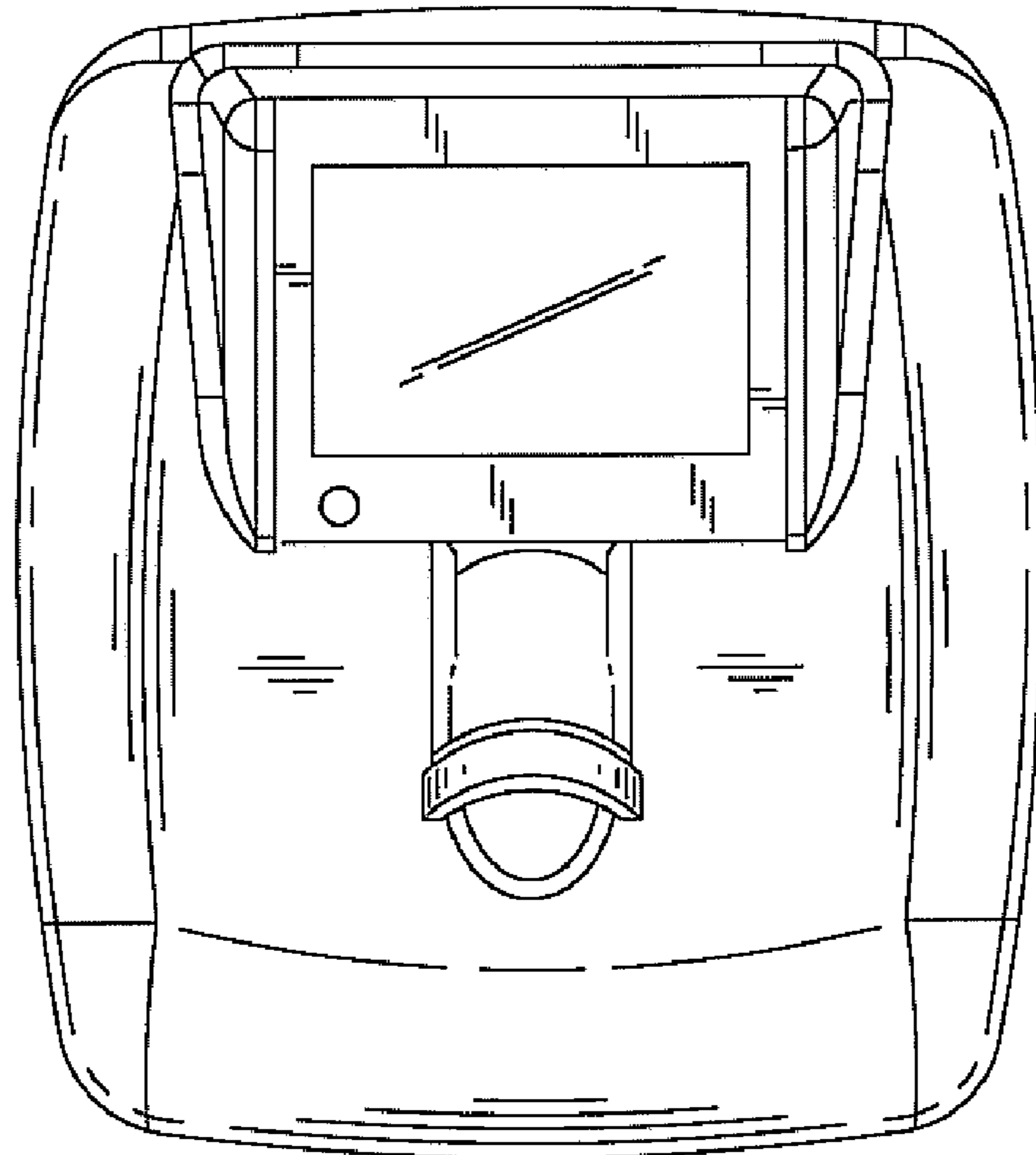


FIG. 6

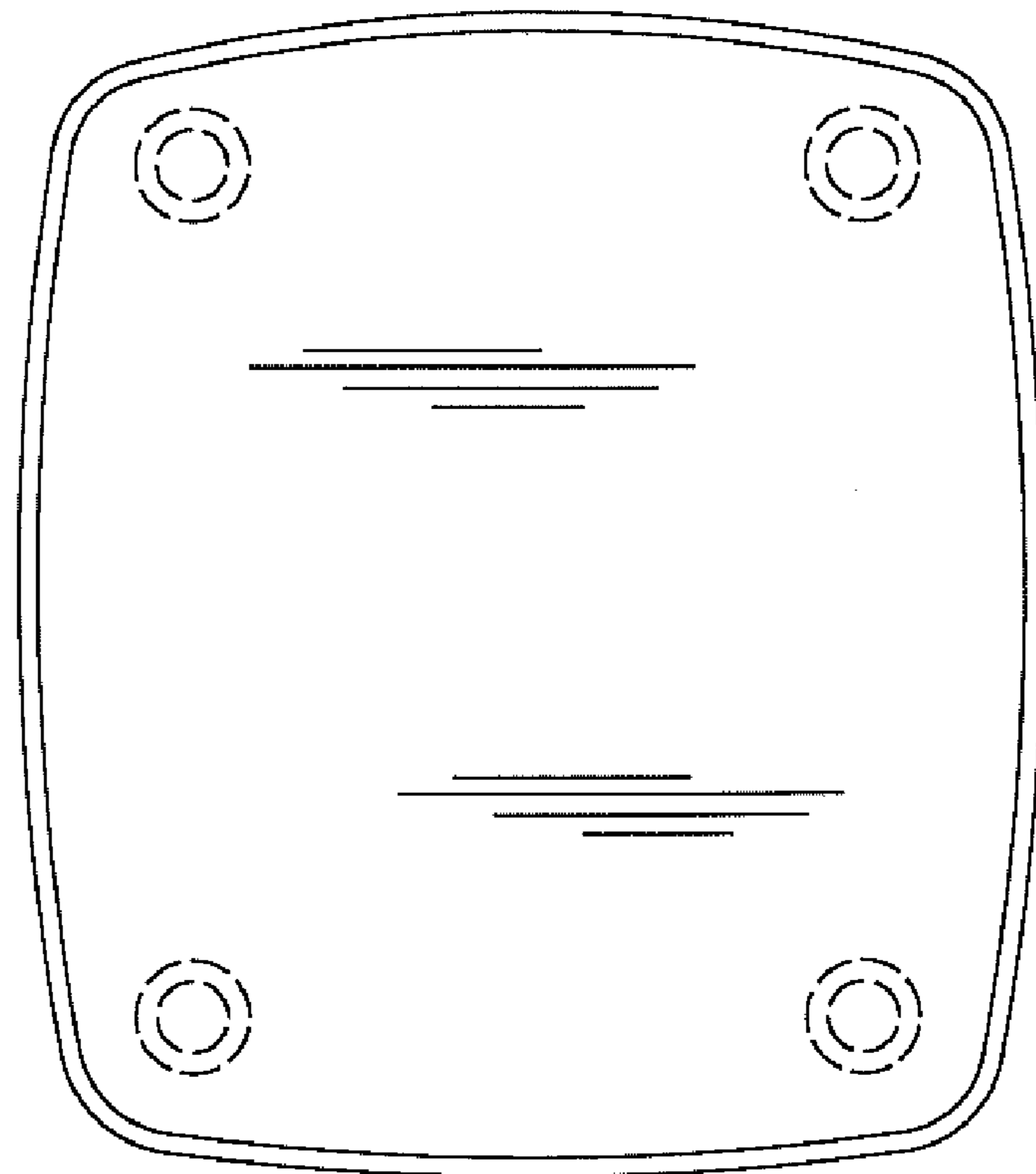


FIG. 7