



US00D564378S

(12) **United States Design Patent**  
**Kaushal et al.**

(10) **Patent No.:** **US D564,378 S**

(45) **Date of Patent:** **\*\* Mar. 18, 2008**

(54) **DIAGNOSTIC INSTRUMENT**

(75) Inventors: **Ashwani Kaushal**, Mississauga (CA);  
**Duncan MacIntyre**, Campbellville  
(CA)

(73) Assignee: **NIR Diagnostics Inc.**, Campbellville,  
Ontario (CA)

(\*\*) Term: **14 Years**

(21) Appl. No.: **29/275,673**

(22) Filed: **Jan. 3, 2007**

(51) **LOC (8) Cl.** ..... **10-04**

(52) **U.S. Cl.** ..... **D10/78; D10/81**

(58) **Field of Classification Search** ..... D10/78,  
D10/81; 356/128-137, 243.1, 146, 300  
See application file for complete search history.

(56) **References Cited**

**U.S. PATENT DOCUMENTS**

D397,046 S \* 8/1998 Oshizawa ..... D10/78

\* cited by examiner

*Primary Examiner*—Antoine D. Davis

(74) *Attorney, Agent, or Firm*—Hovey Williams LLP

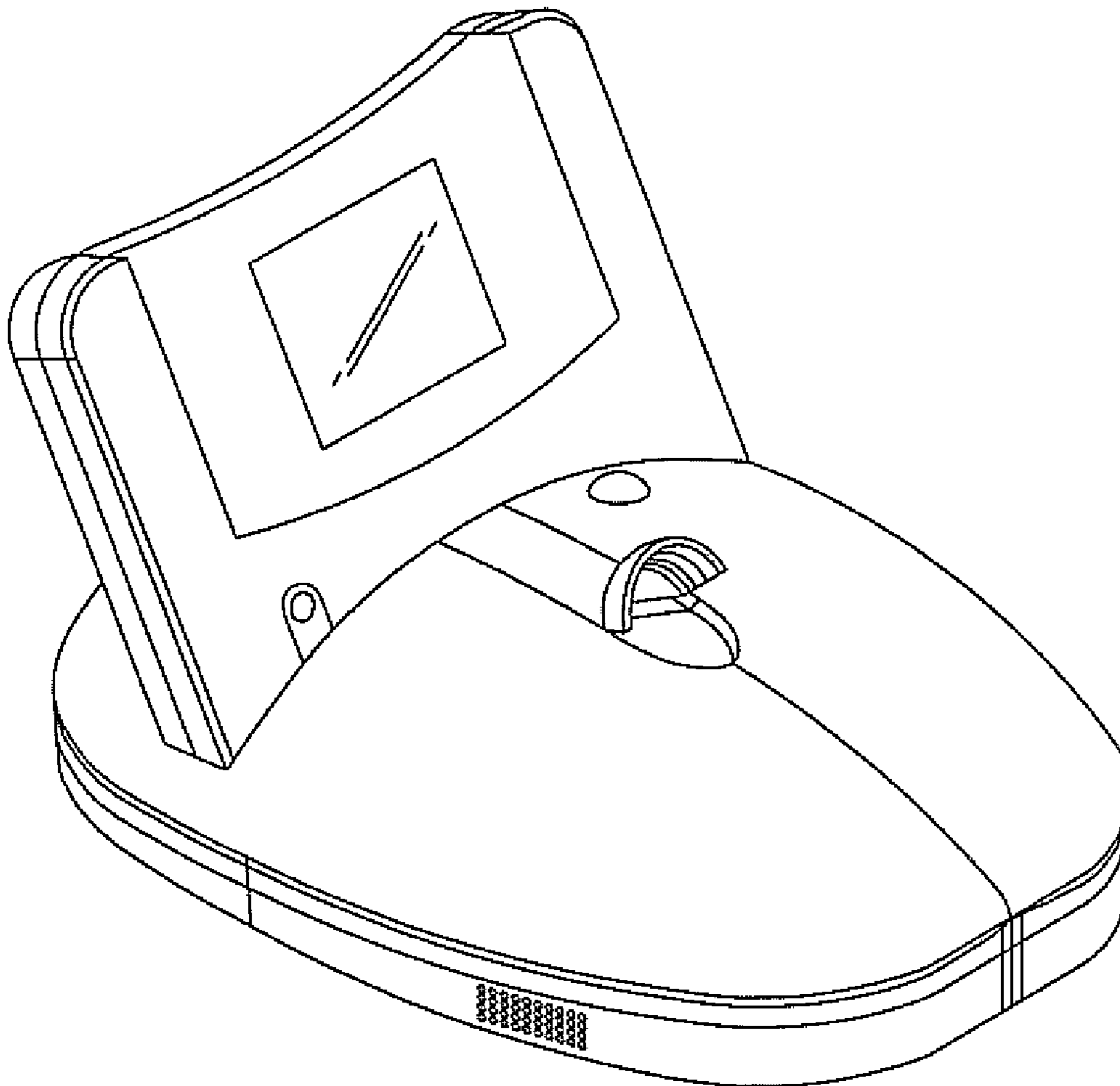
(57) **CLAIM**

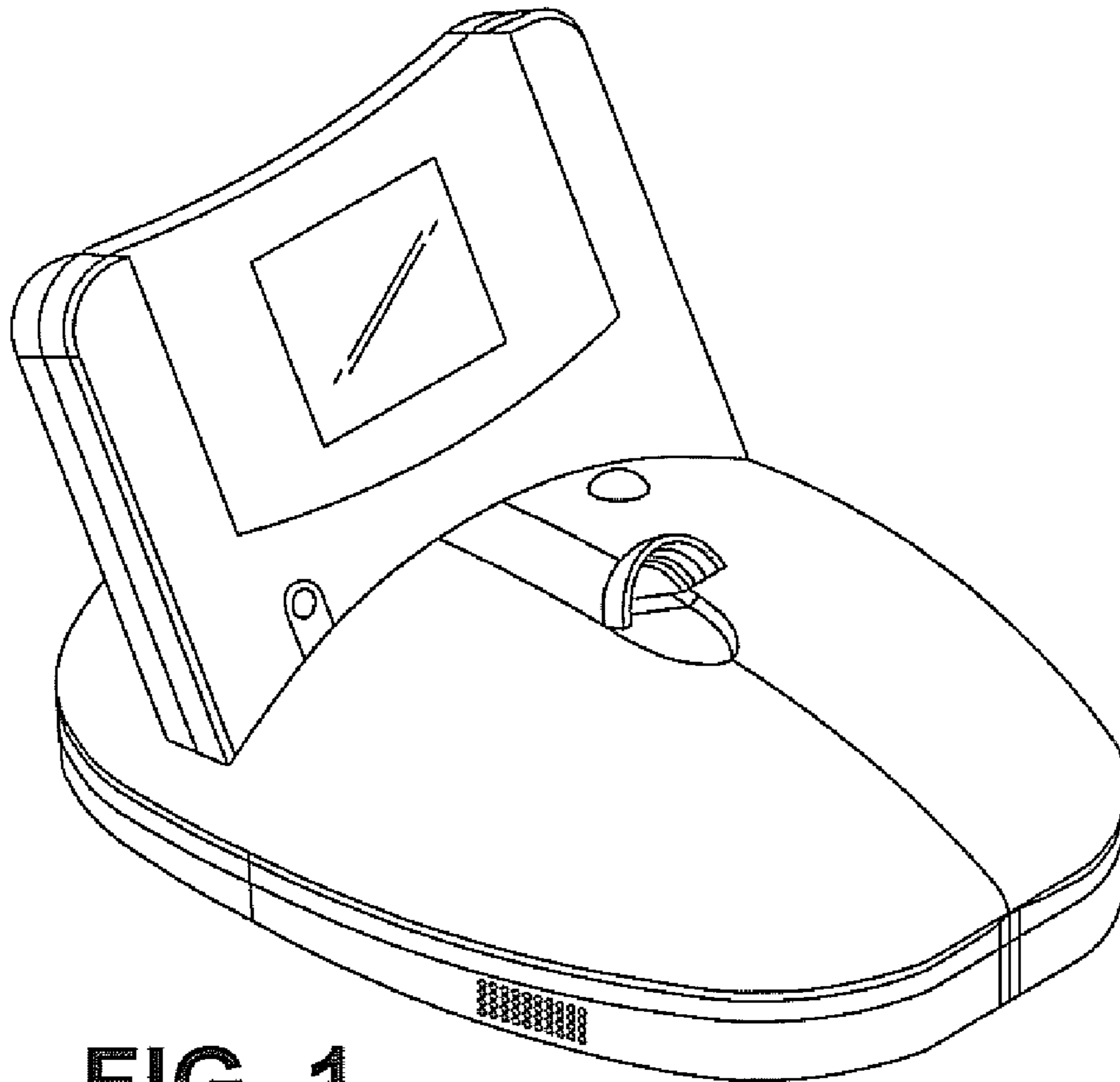
The ornamental design for a diagnostic instrument, as shown and described.

**DESCRIPTION**

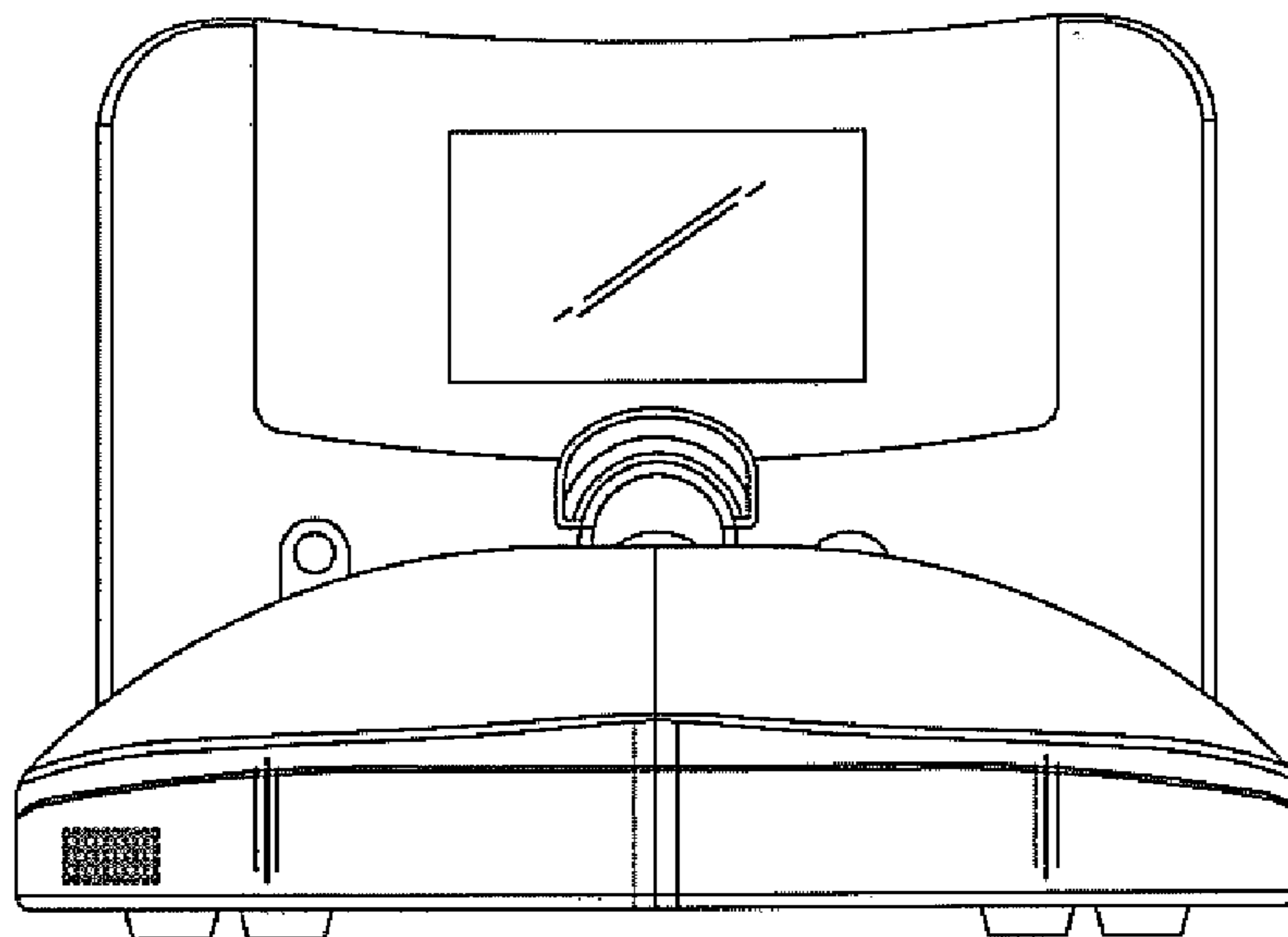
FIG. 1 is a perspective view of the diagnostic instrument;  
FIG. 2 is a front elevational view thereof;  
FIG. 3 is a rear elevational view thereof;  
FIG. 4 is a left side elevational view thereof;  
FIG. 5 is a right side elevational view thereof;  
FIG. 6 is a top plan view thereof; and,  
FIG. 7 is a bottom elevational view thereof.

**1 Claim, 4 Drawing Sheets**

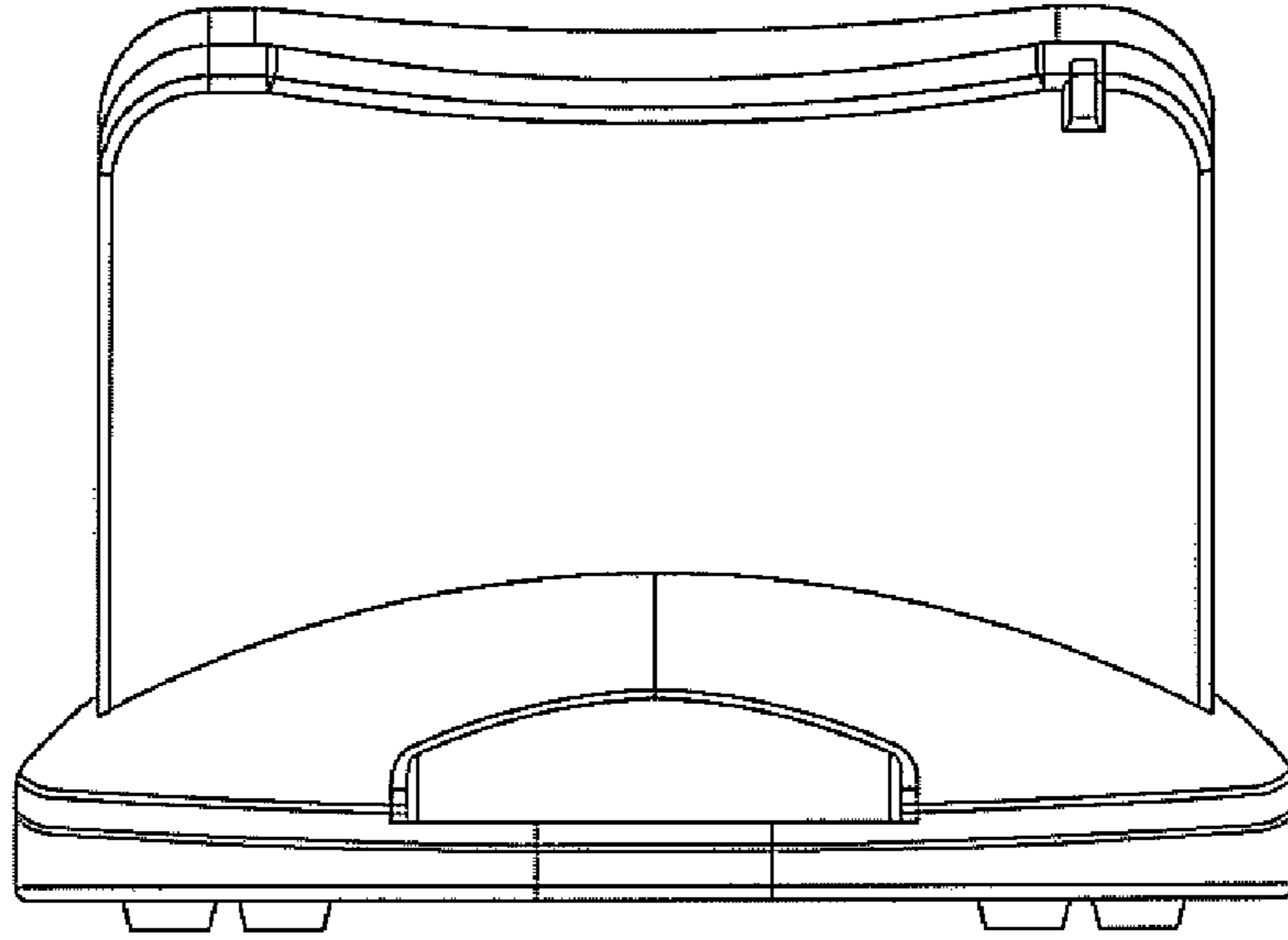




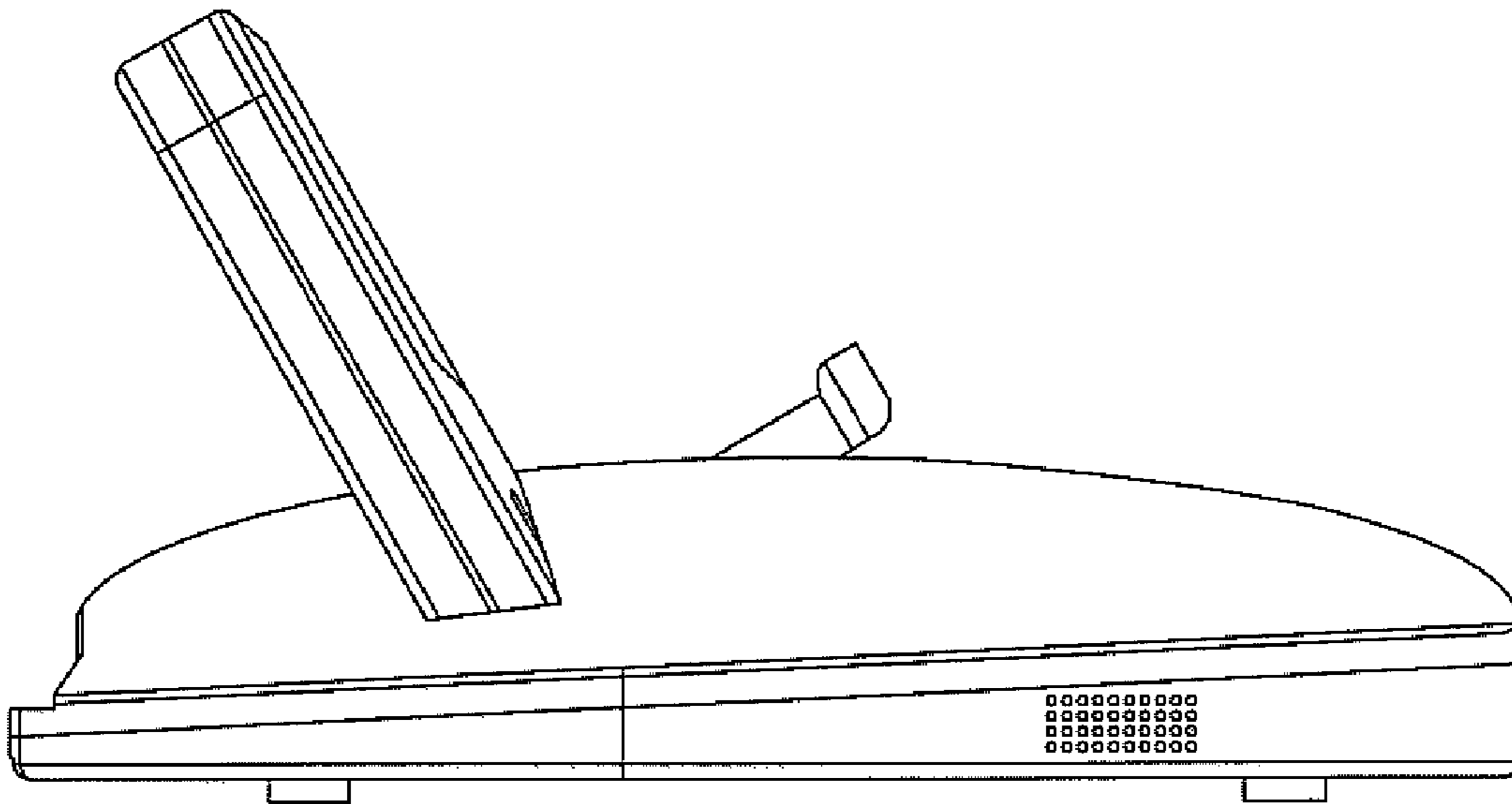
**FIG. 1**



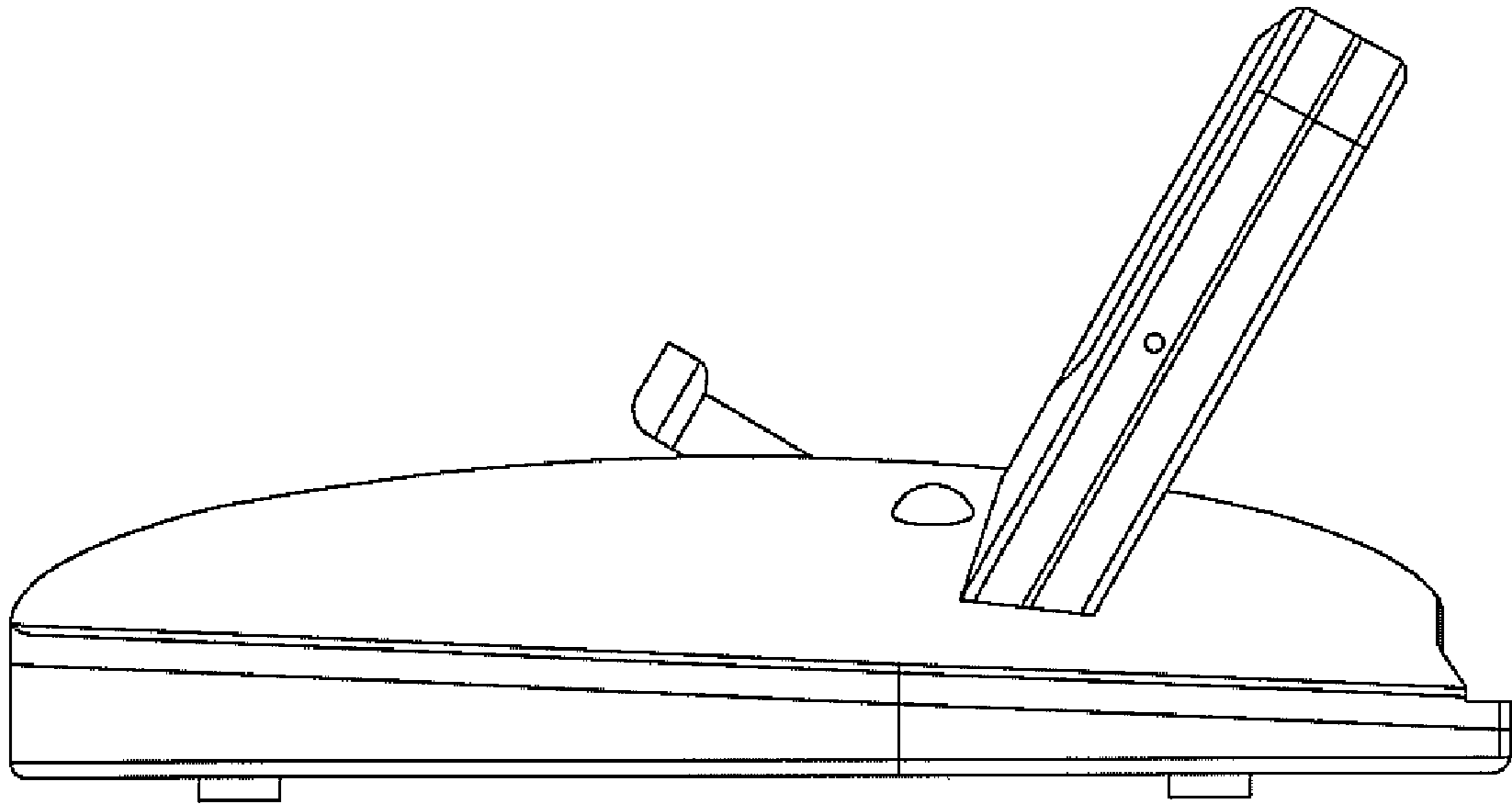
**FIG. 2**



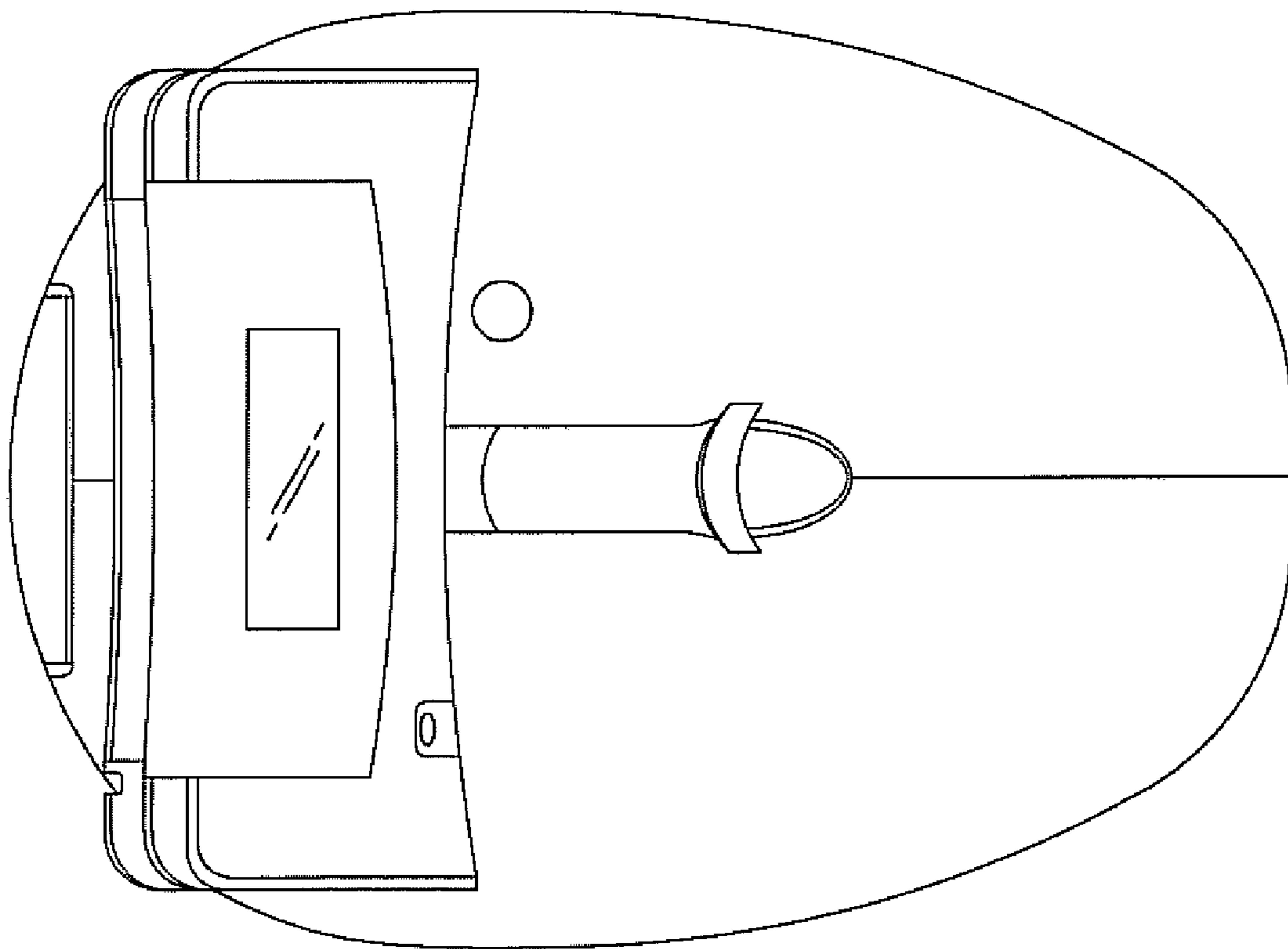
**FIG. 3**



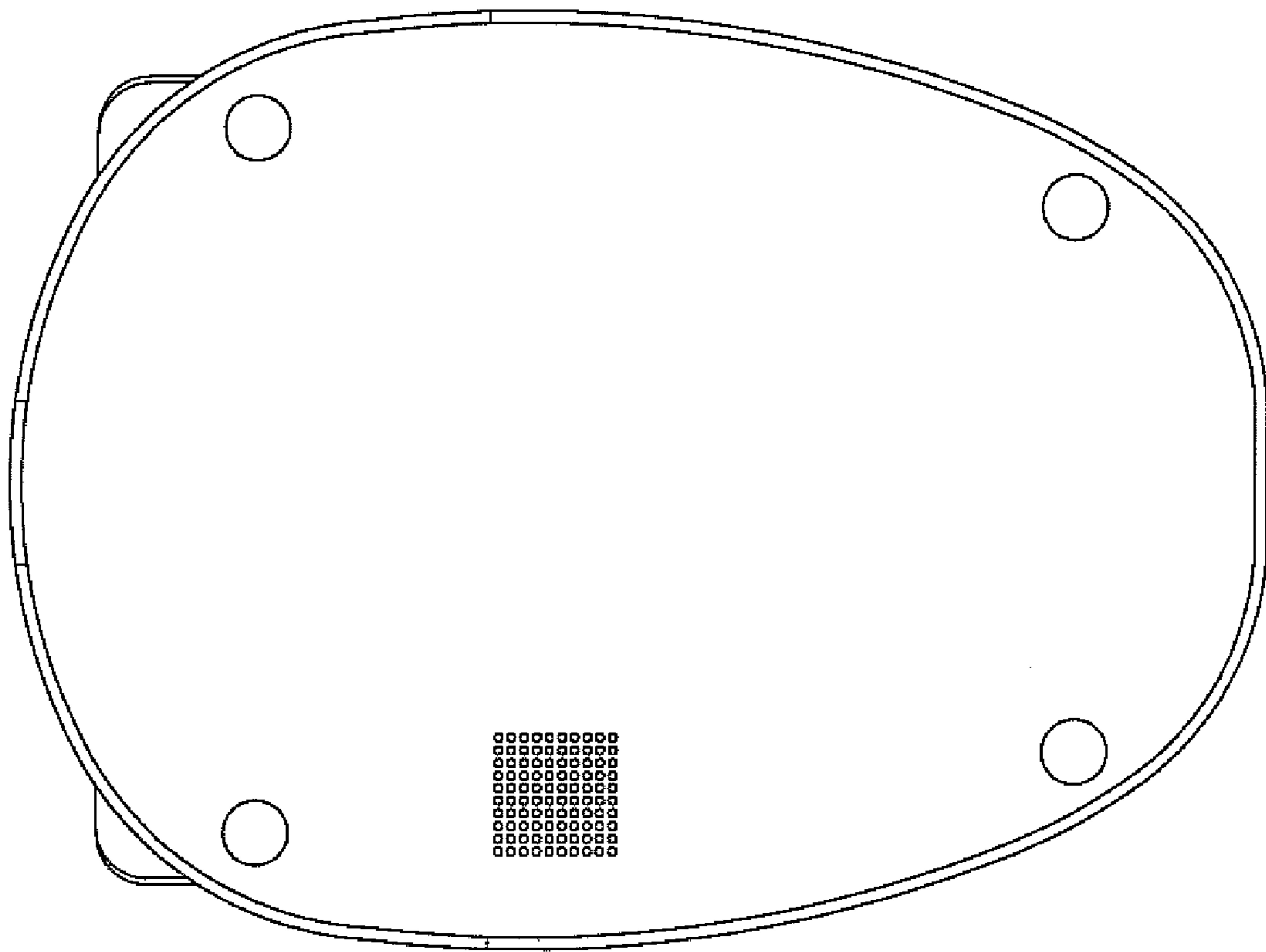
**FIG. 4**



**FIG. 5**



**FIG. 6**



**FIG. 7**