

US00D564377S

(12) **United States Design Patent**  
**Oas**

(10) **Patent No.:** **US D564,377 S**

(45) **Date of Patent:** **\*\* Mar. 18, 2008**

(54) **PANIC PEDOMETER**

D531,072 S \* 10/2006 Au Yeung ..... D10/70

(75) Inventor: **Daniel Oas**, Irwindale, CA (US)

\* cited by examiner

(73) Assignee: **Calibre International, LLC**, Irwindale, CA (US)

*Primary Examiner*—Antoine D. Davis

(74) *Attorney, Agent, or Firm*—Thomas I. Rozsa

(\*\*) Term: **14 Years**

(57) **CLAIM**

(21) Appl. No.: **29/271,478**

The ornamental design for a panic pedometer, as shown and described.

(22) Filed: **Jan. 18, 2007**

**DESCRIPTION**

(51) **LOC (8) Cl.** ..... **10-04**

(52) **U.S. Cl.** ..... **D10/70**

(58) **Field of Classification Search** ..... D10/70;  
235/95 C, 105; 377/5, 24.2, 26; 702/144,  
702/160, 176

See application file for complete search history.

FIG. 1 is a perspective view of a panic pedometer, showing my design.

FIG. 2 is a front elevational view;

FIG. 3 is a rear elevational view;

FIG. 4 is a side elevational view viewed from the left side;

FIG. 5 is a side elevational view viewed from the right side;

FIG. 6 is a top plan view; and,

FIG. 7 is a bottom plan view.

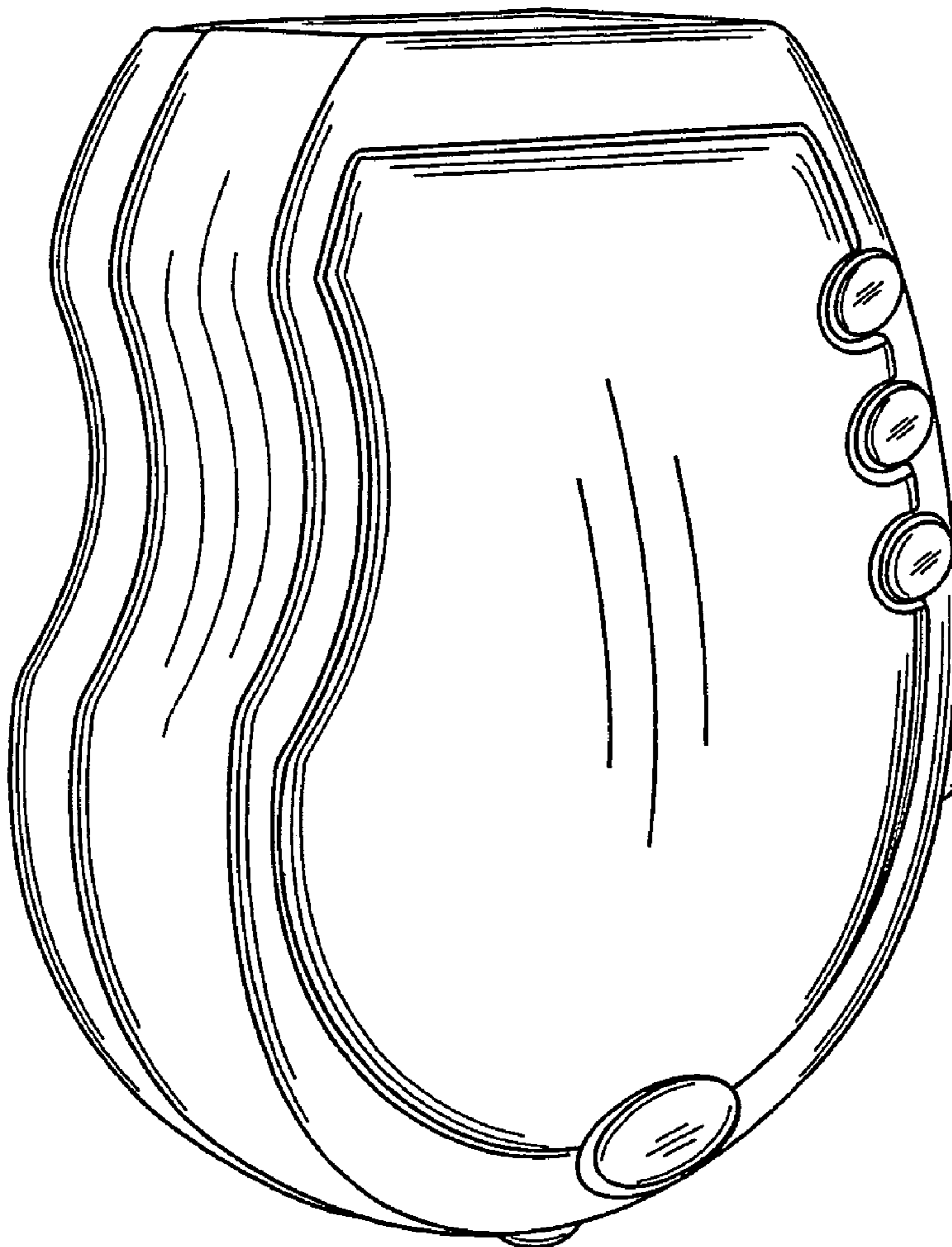
(56) **References Cited**

**U.S. PATENT DOCUMENTS**

D491,478 S \* 6/2004 Shoji et al. .... D10/70

D494,484 S \* 8/2004 Bhavnani ..... D10/70

**1 Claim, 5 Drawing Sheets**



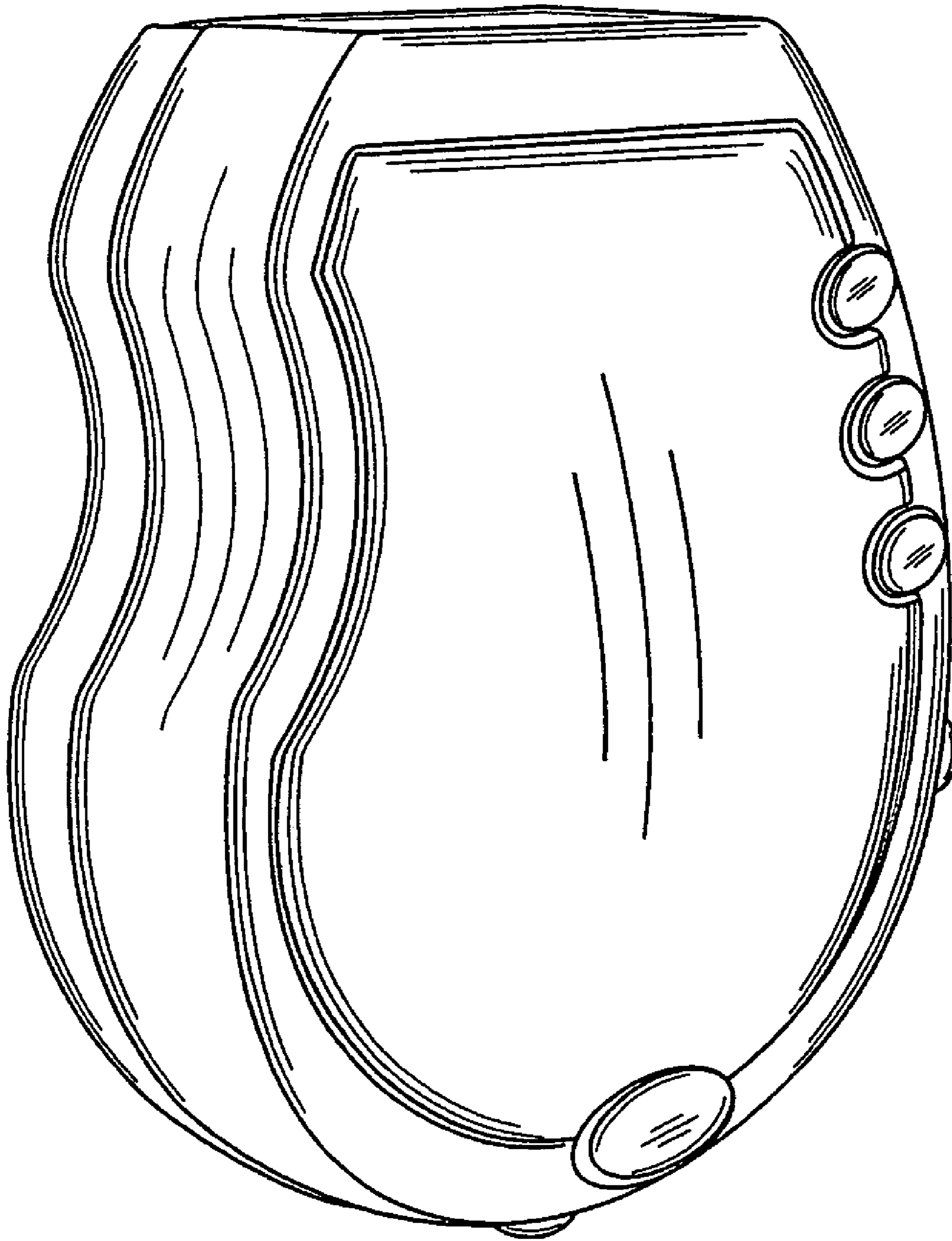


FIG. 1

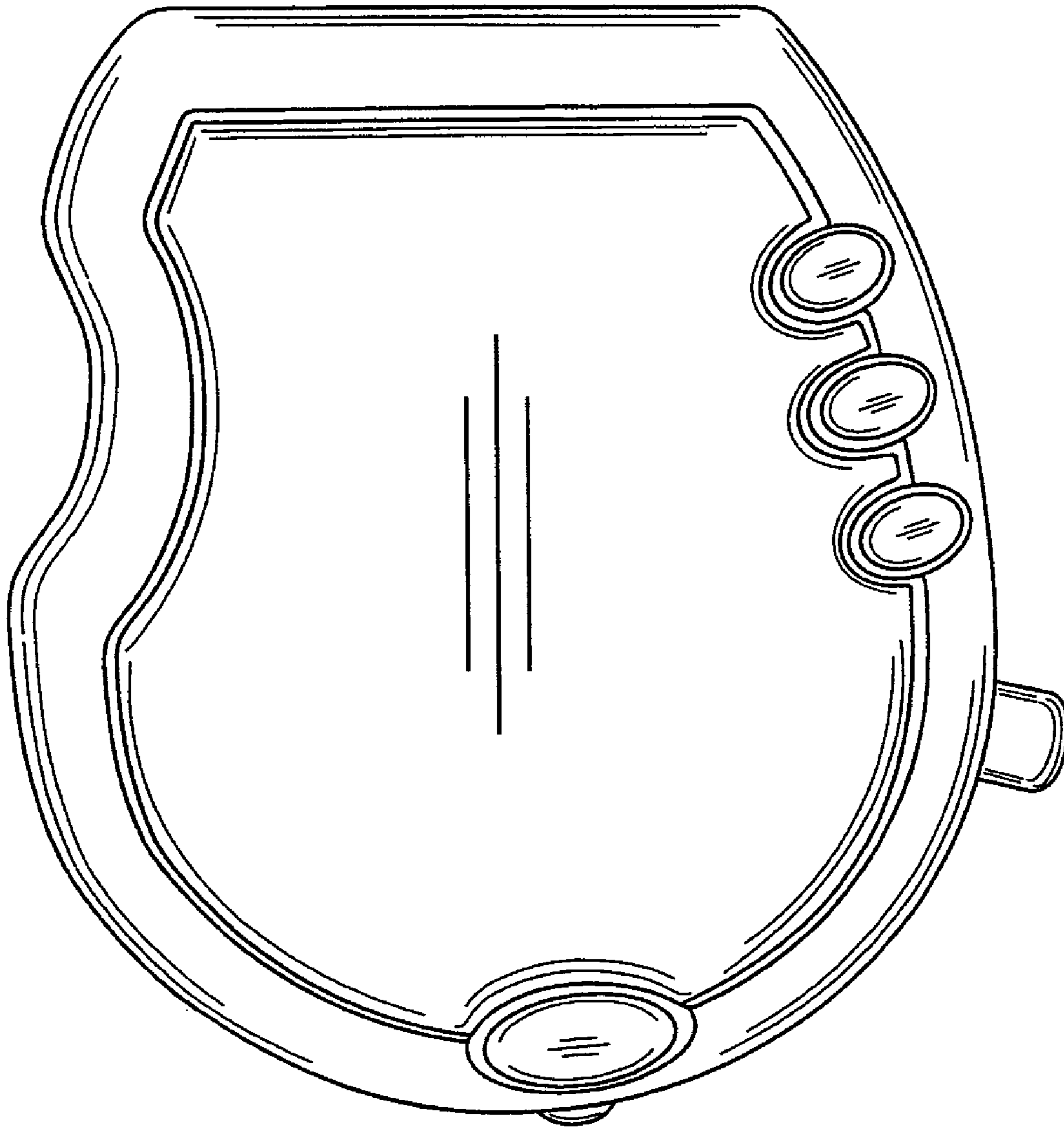


FIG. 2

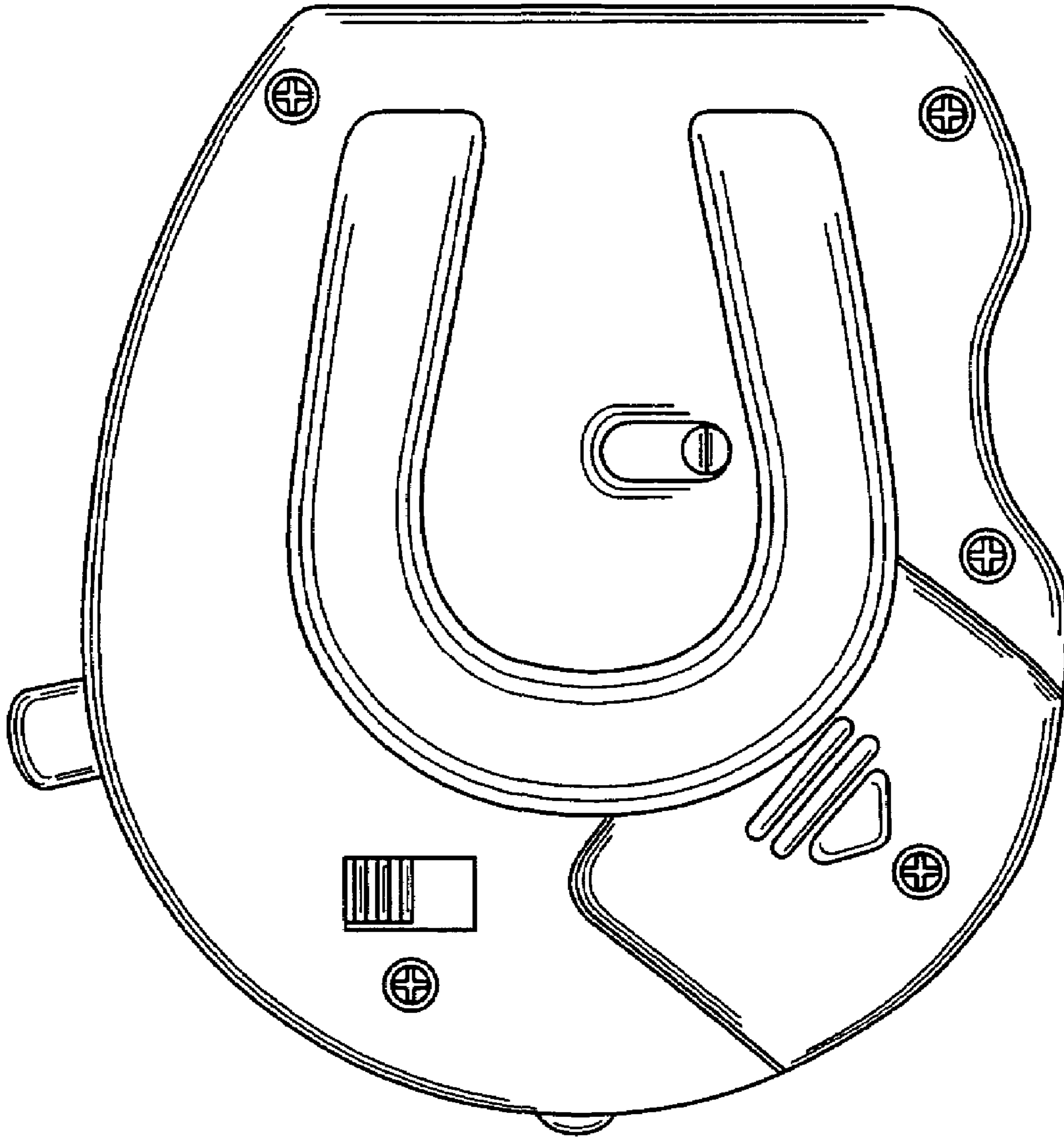


FIG. 3

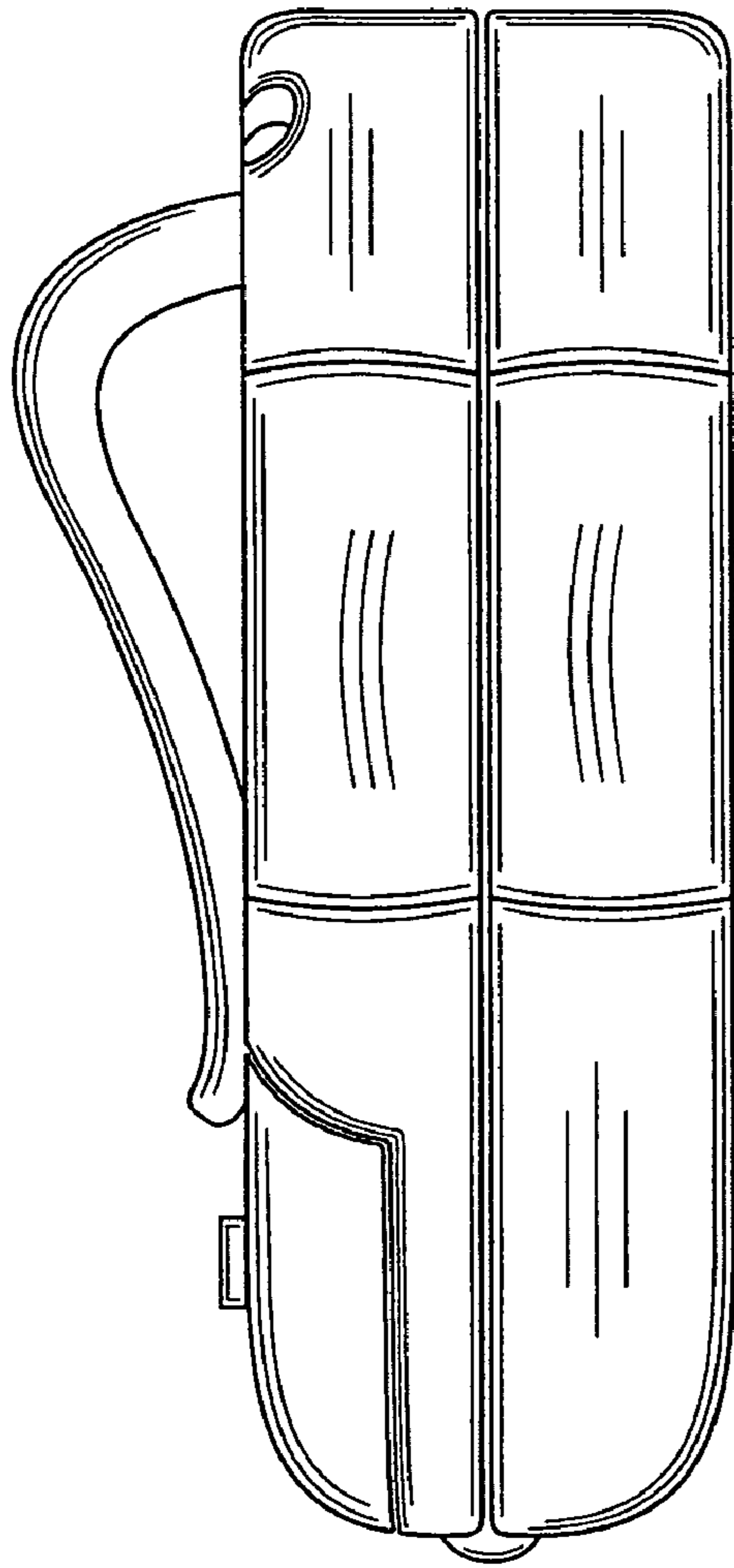


FIG. 4

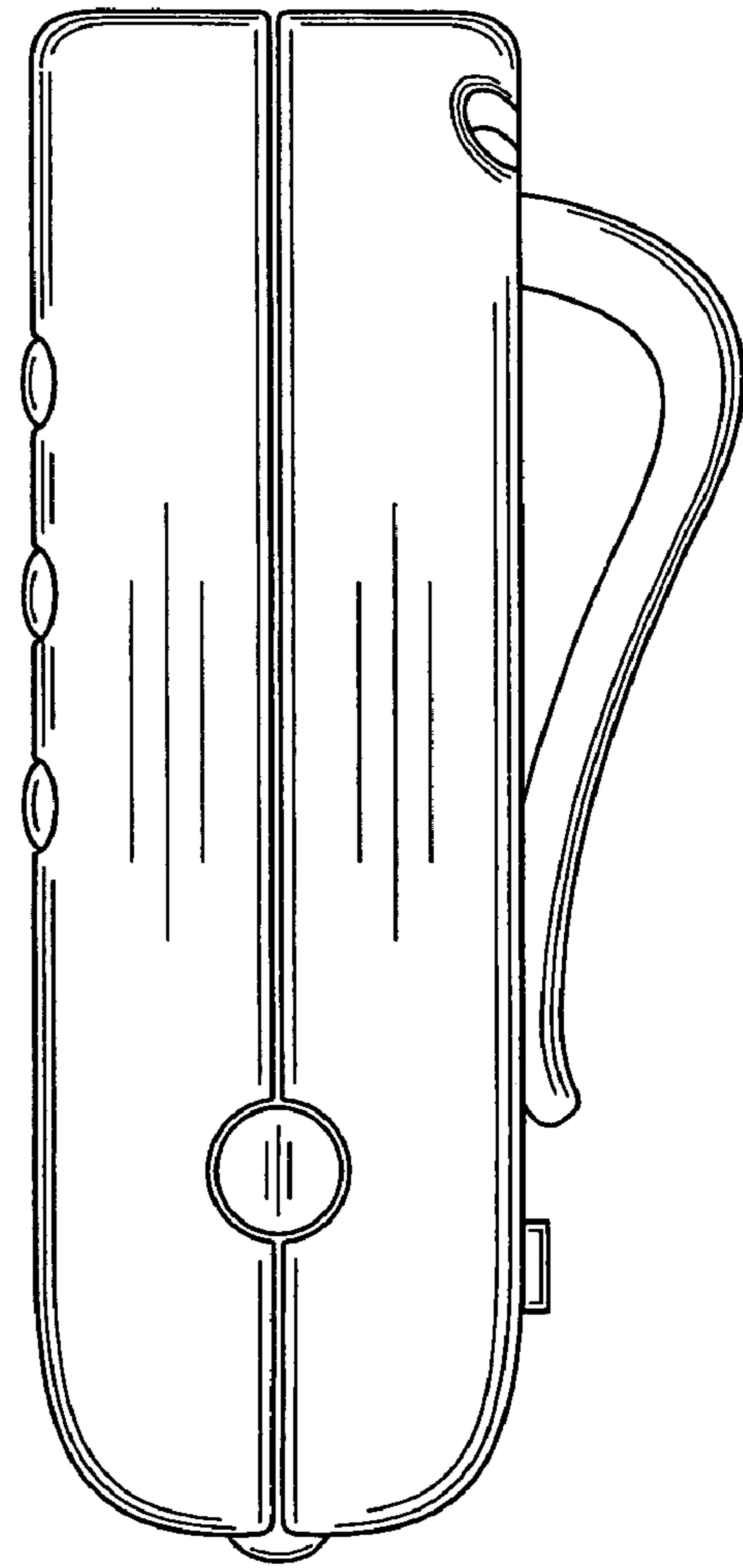


FIG. 5

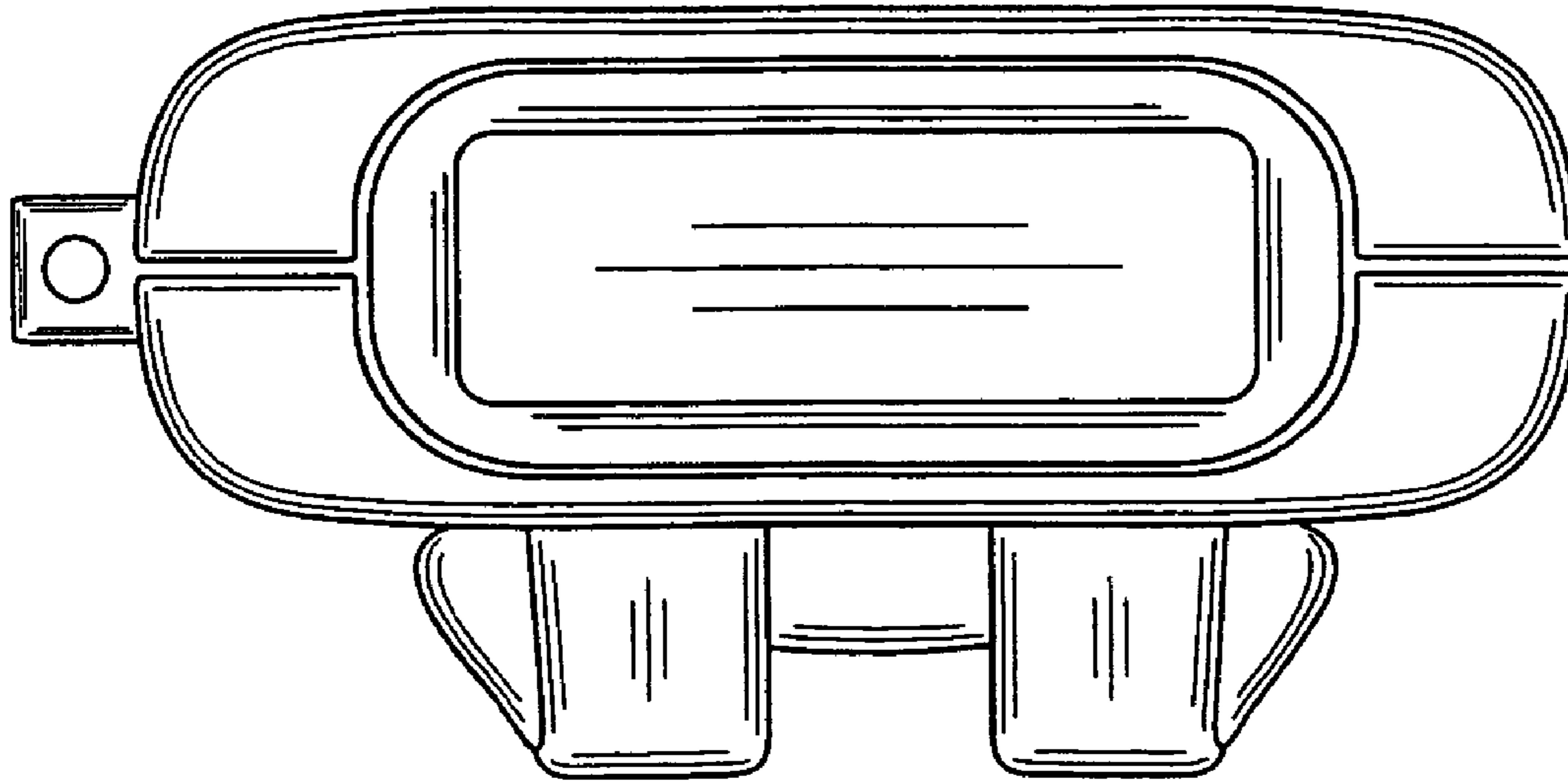


FIG. 6

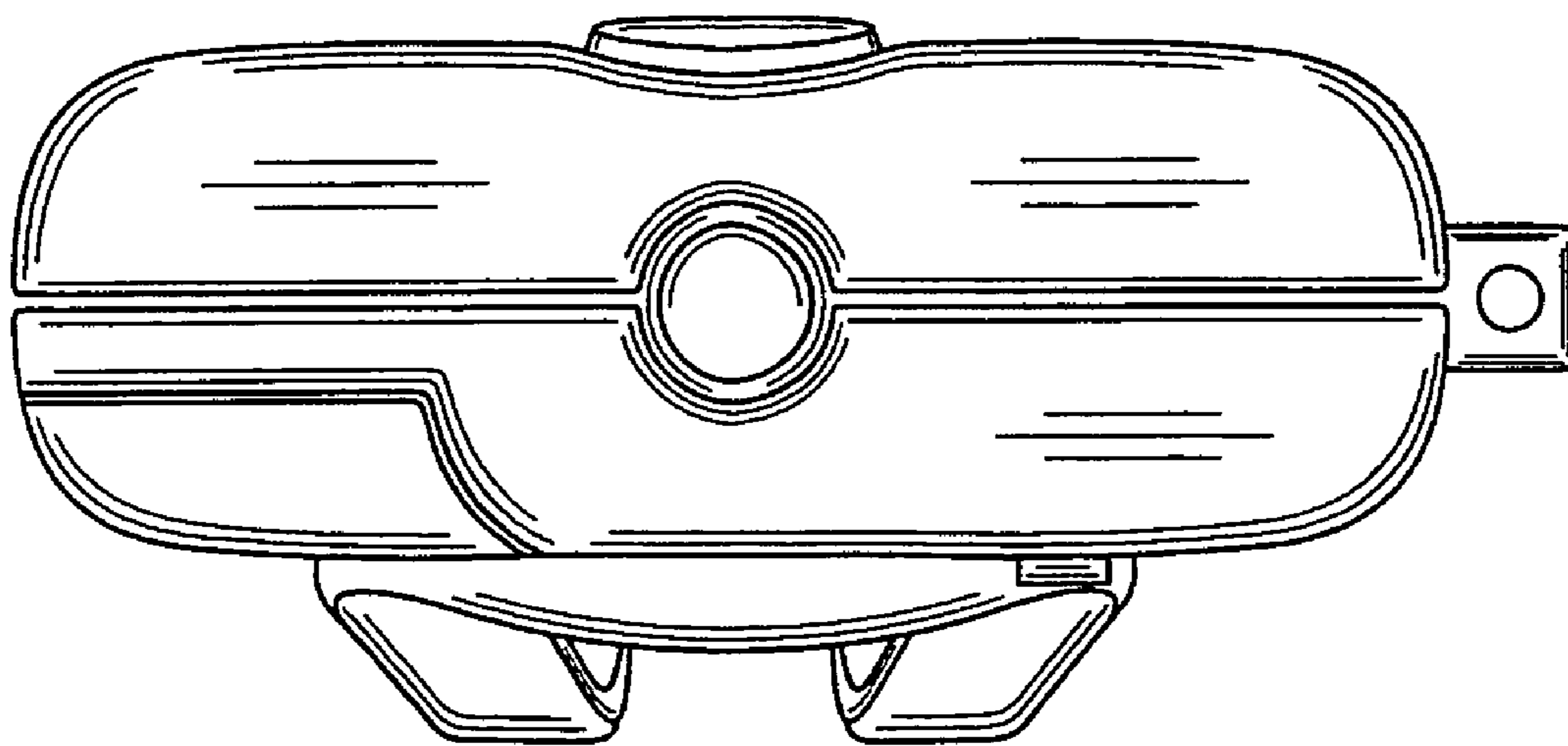


FIG. 7