



US00D564376S

(12) **United States Design Patent** (10) **Patent No.:** **US D564,376 S**
Price et al. (45) **Date of Patent:** **** Mar. 18, 2008**

(54) **MOBILE APPARATUS FOR SURFACE MEASUREMENTS**

Primary Examiner—Antoine D. Davis
(74) *Attorney, Agent, or Firm*—Kilpatrick Stockton LLP

(75) Inventors: **Joseph K. Price**, Nebo, NC (US);
Gray Moody, Greensboro, NC (US);
Jeff Pavelka, Pinetops, NC (US); **Vivek Komaragiri**, Greensboro, NC (US)

(57) **CLAIM**

The ornamental design for a mobile apparatus for surface measurements, as shown and described.

(73) Assignee: **Sensory Analytics, LLC**, Greensboro, NC (US)

DESCRIPTION

(**) Term: **14 Years**

FIG. 1 shows a perspective view of an embodiment of the present invention.

(21) Appl. No.: **29/258,978**

FIG. 2 shows a front view of an embodiment of the present invention.

(22) Filed: **Apr. 28, 2006**

FIG. 3 shows a back view of an embodiment of the present invention.

(51) **LOC (8) Cl.** **10-04**

FIG. 4 shows a bottom view of an embodiment of the present invention.

(52) **U.S. Cl.** **D10/70**

FIG. 5 shows a top view of an embodiment of the present invention.

(58) **Field of Classification Search** D10/46,
D10/70; 33/544, 834; 205/776.5, 791; 324/229–230,
324/635, 644, 654, 662, 671, 690; 331/47,
331/75, 178, 179; 703/170

FIG. 6 shows a side view of an embodiment of the present invention.

See application file for complete search history.

FIG. 7 shows a side view of an embodiment of the present invention; and,

(56) **References Cited**

FIG. 8 shows a perspective view of an embodiment of the present invention.

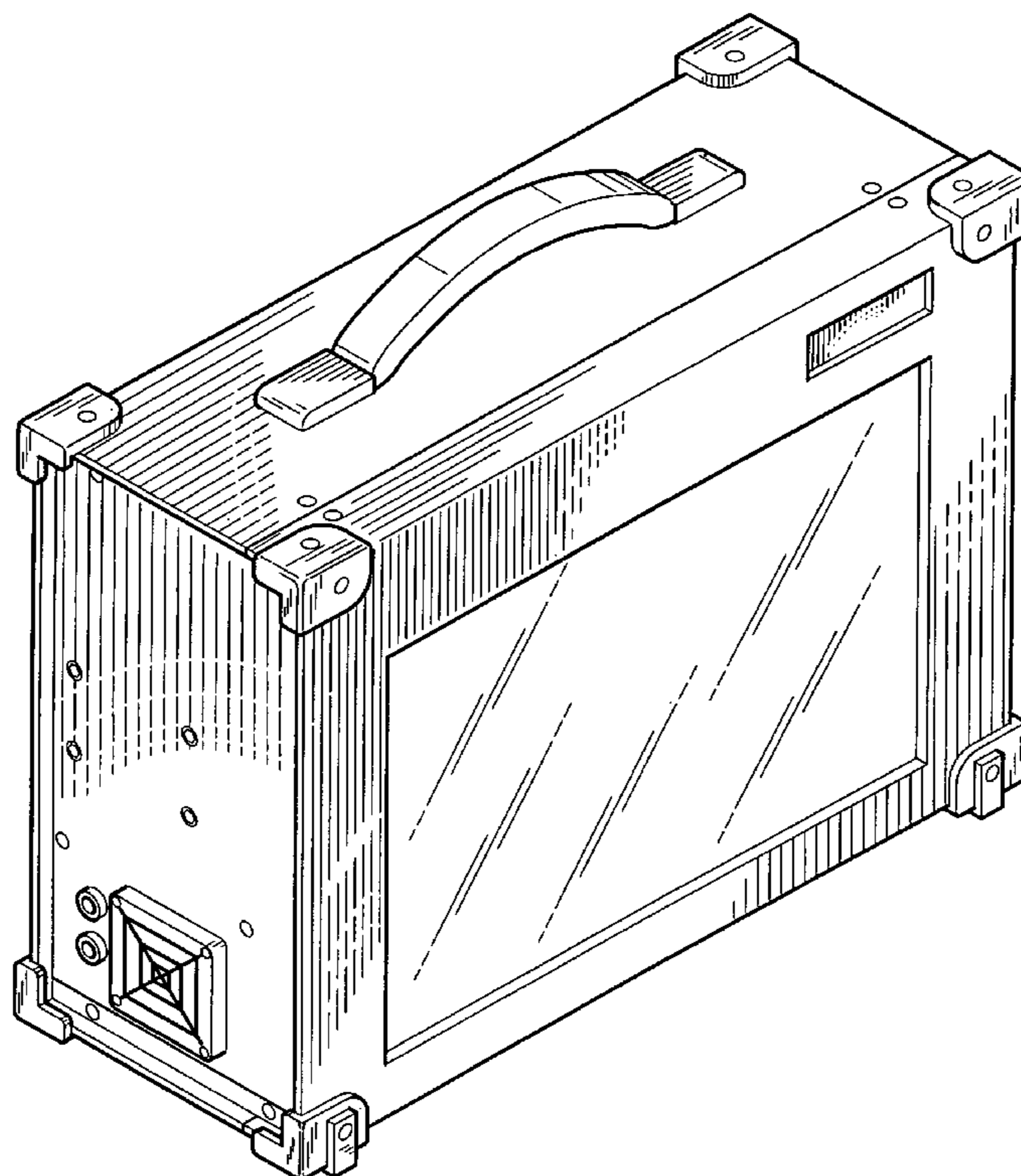
U.S. PATENT DOCUMENTS

The broken line showing of elements is included for the purpose of illustrating non-claimed subject matter and forms no part of the claimed design.

D278,211 S *	4/1985	Koch	D10/70
5,930,744 A *	7/1999	Koch et al.	702/170
6,529,014 B1 *	3/2003	Nix	324/662
7,176,678 B2 *	2/2007	Sergoyan et al.	324/240

* cited by examiner

1 Claim, 6 Drawing Sheets



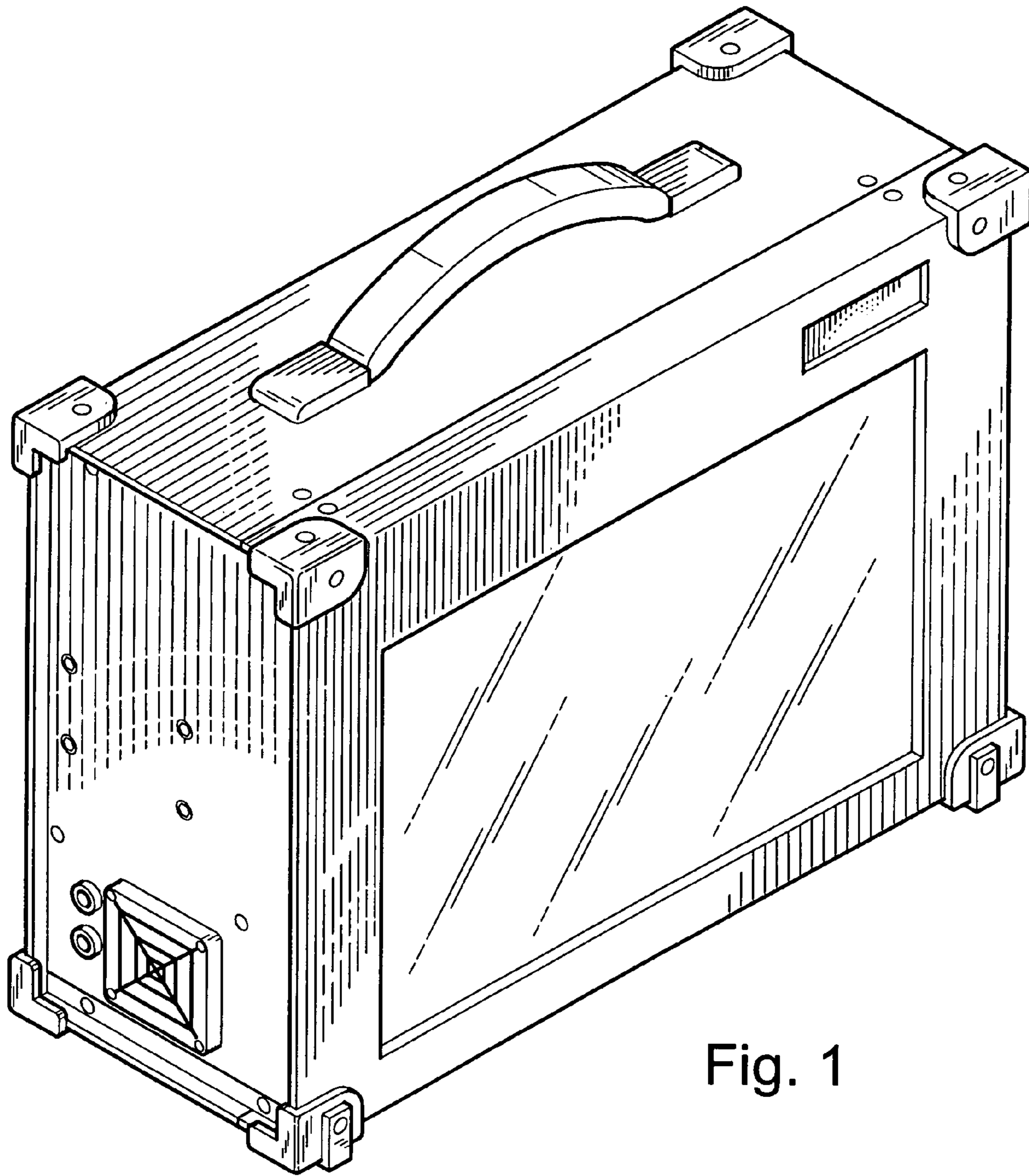


Fig. 1

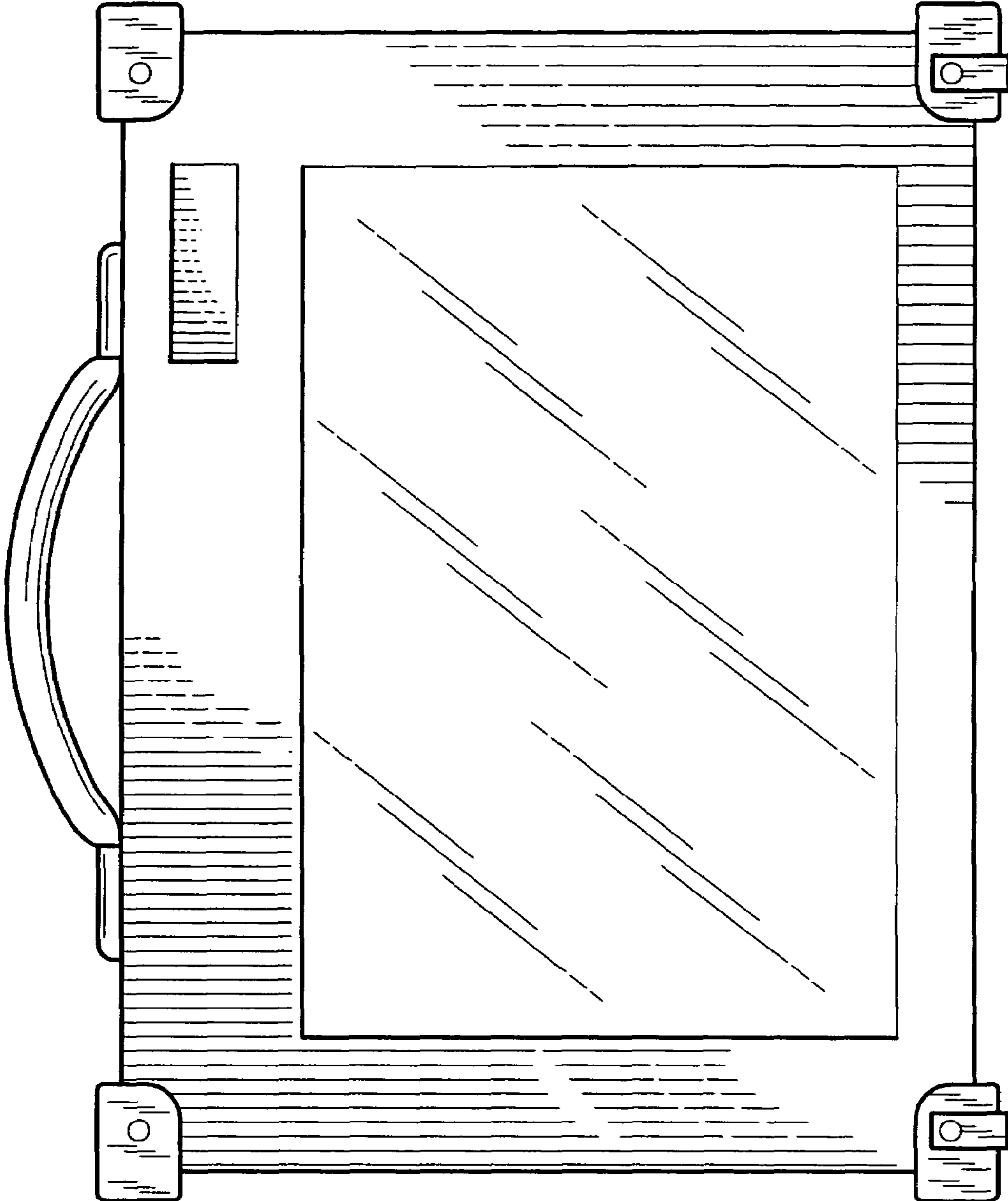


Fig. 2

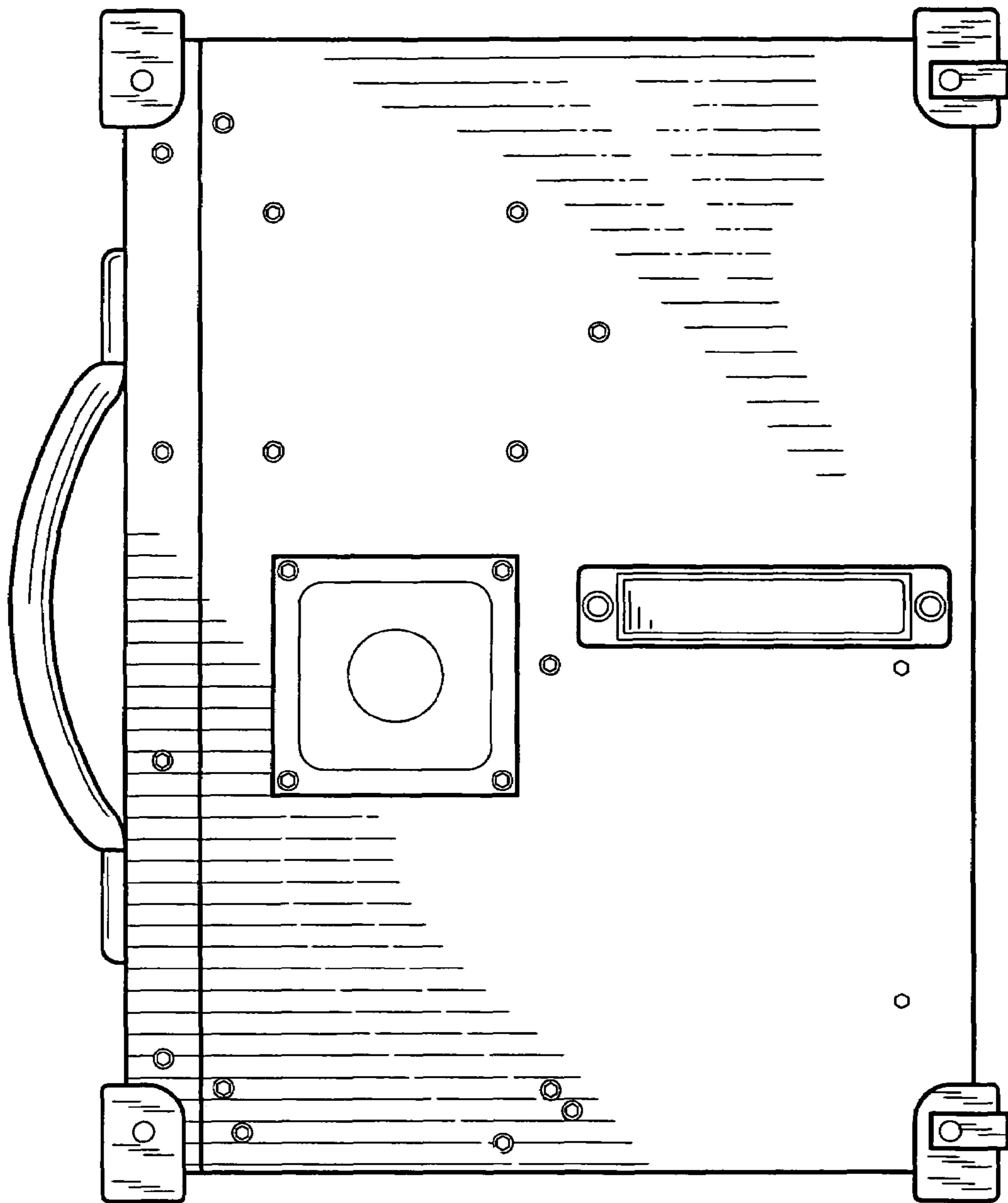


Fig. 3

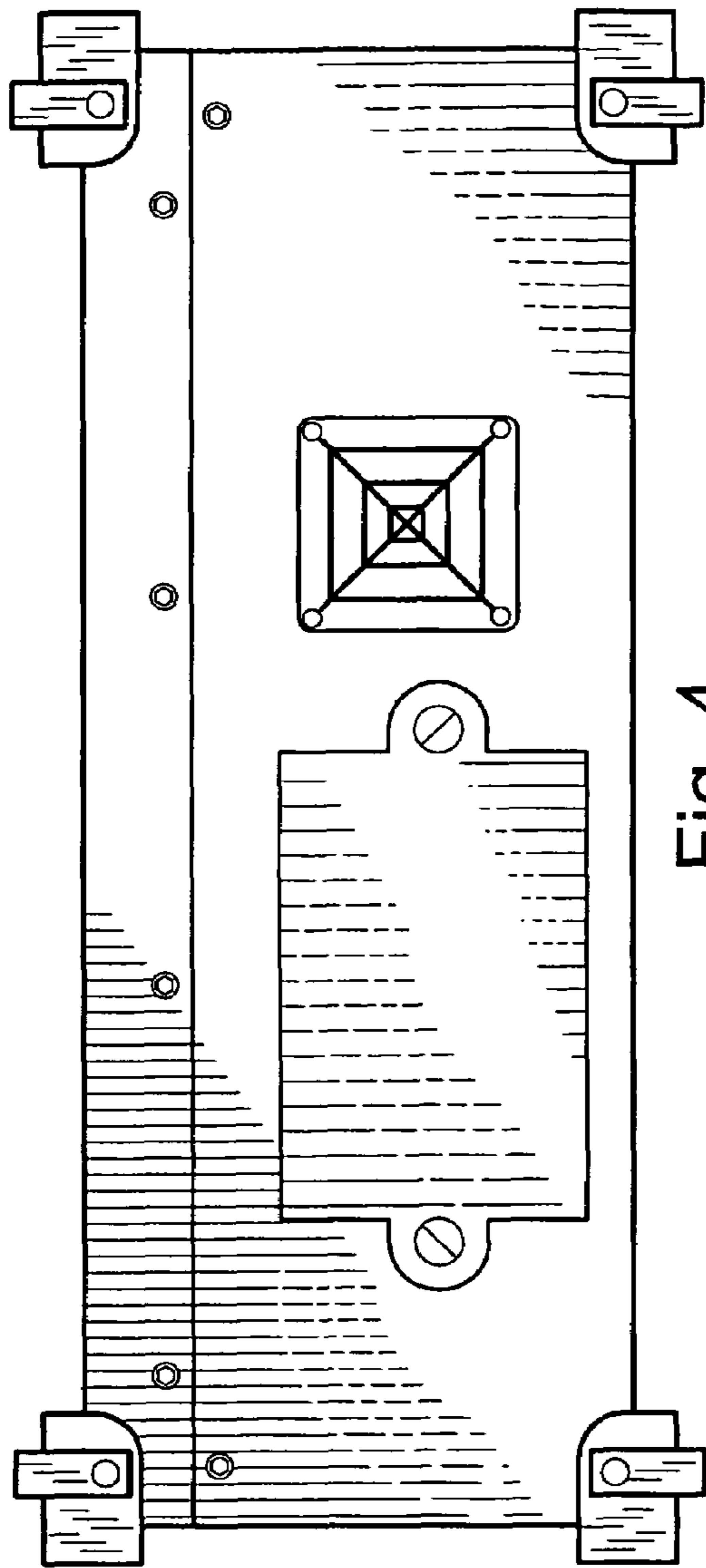


Fig. 4

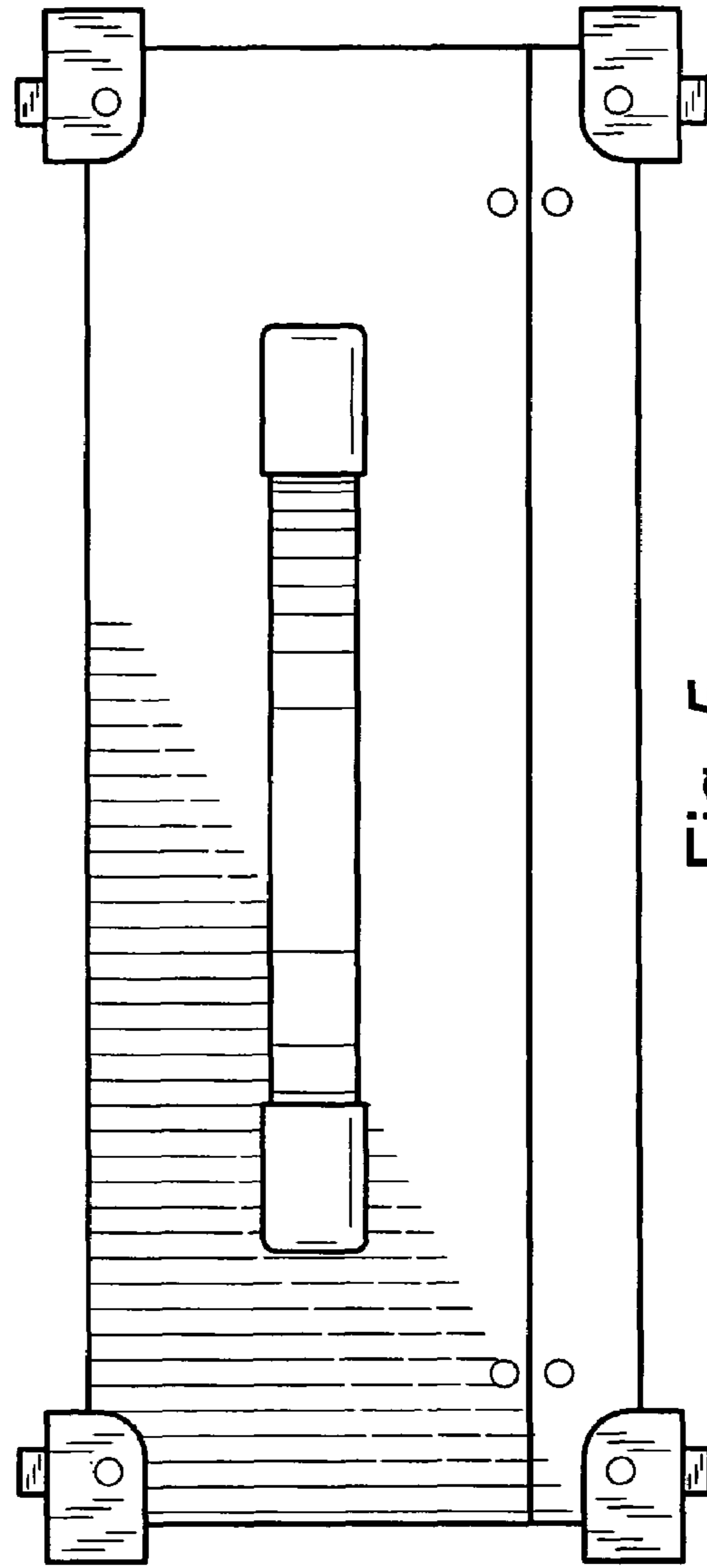


Fig. 5

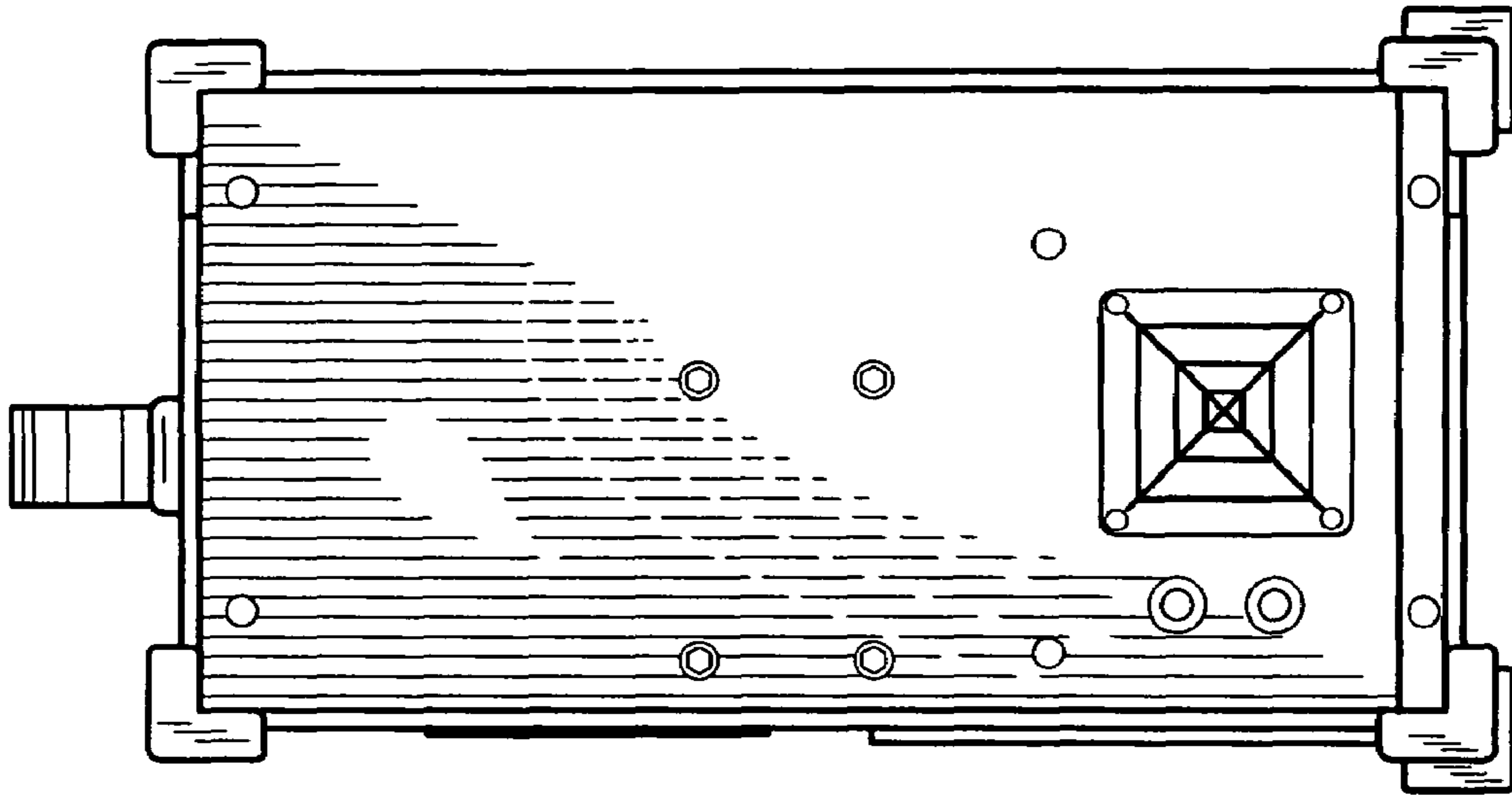


Fig. 7

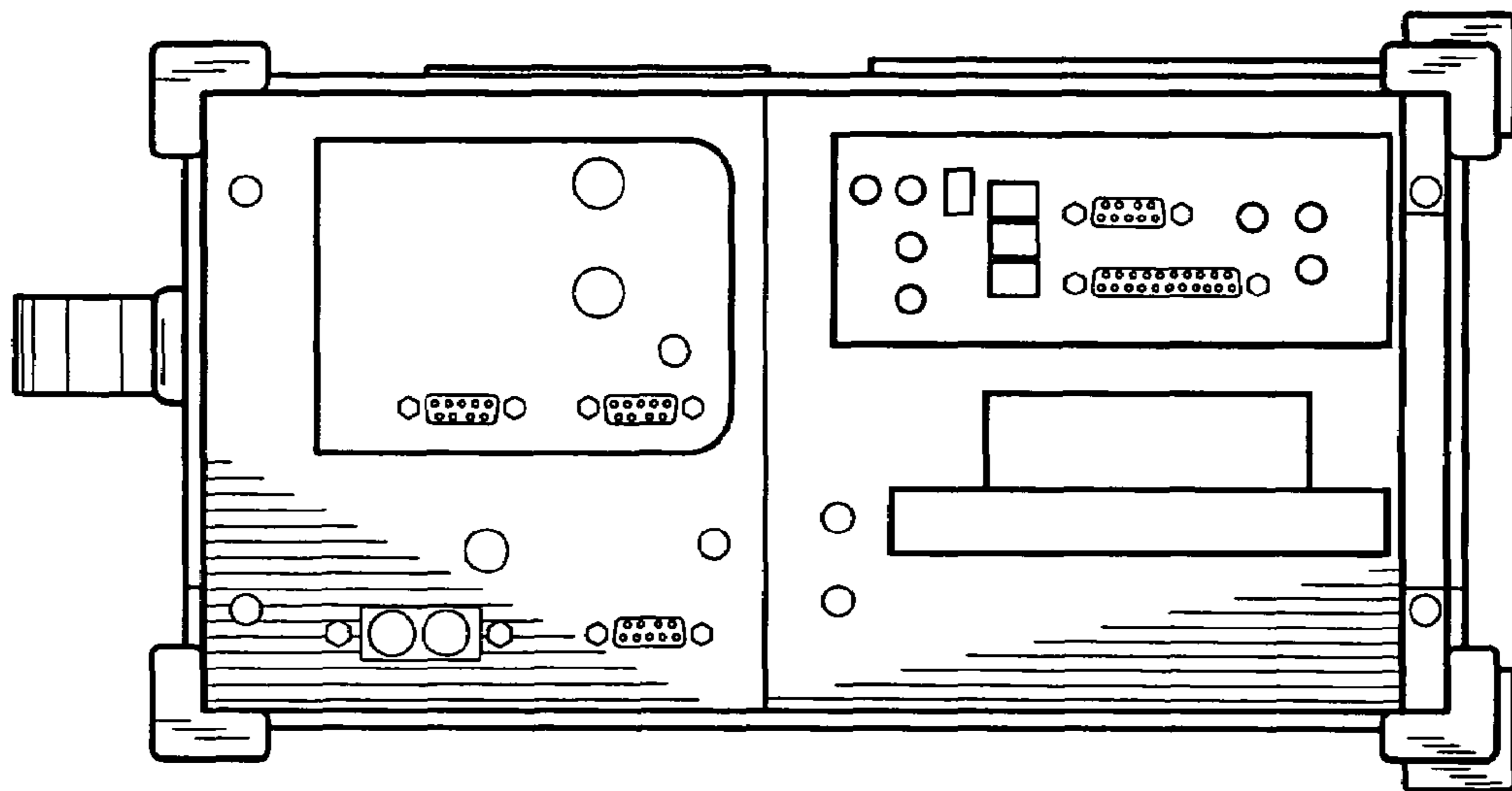


Fig. 6

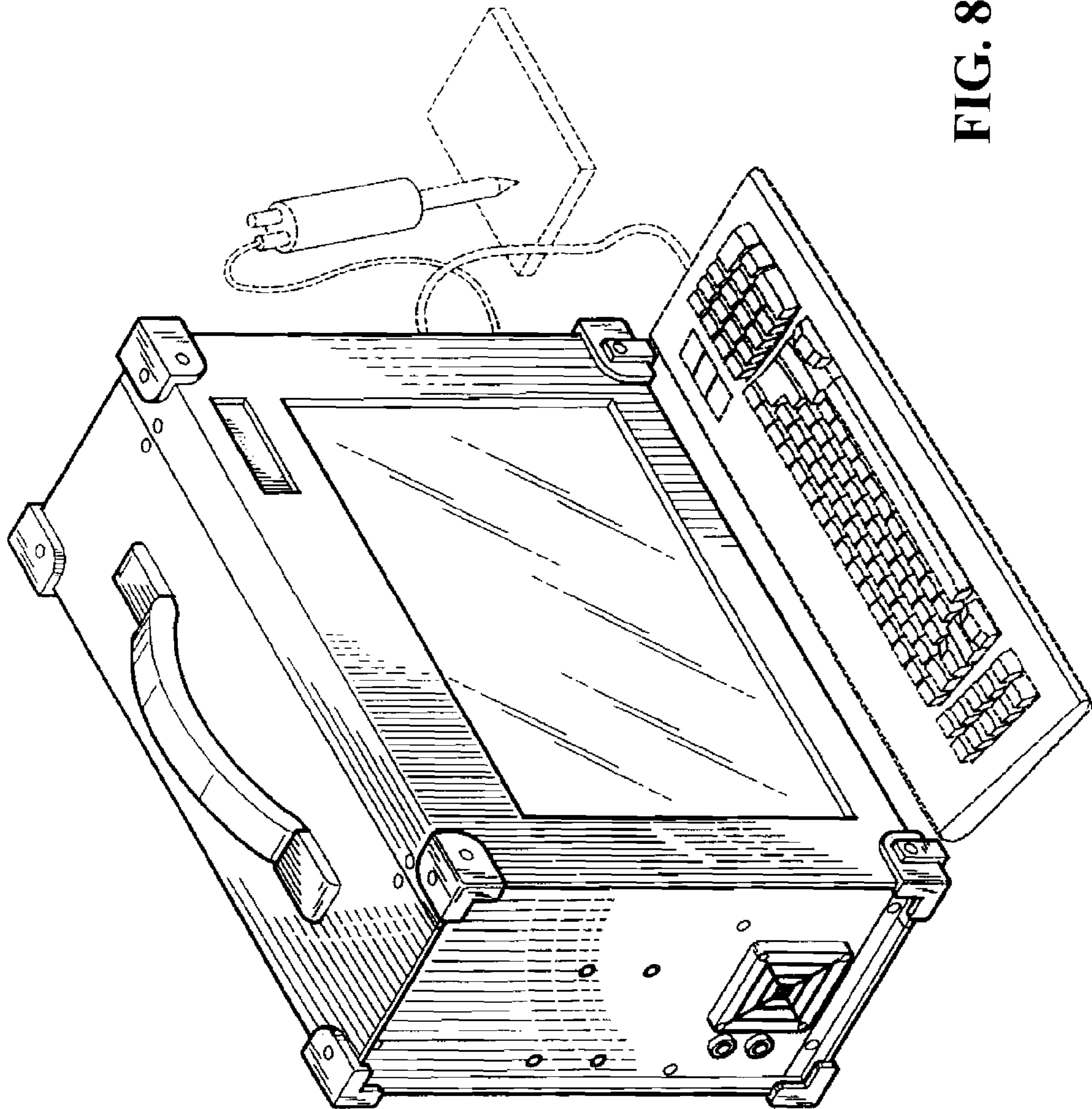


FIG. 8