

US00D564374S

(12) **United States Design Patent**
Wada

(10) **Patent No.:** **US D564,374 S**
(45) **Date of Patent:** **** Mar. 18, 2008**

(54) **MONITOR DISPLAY**

D543,875 S * 6/2007 Skelton et al. D10/65

(75) Inventor: **Takayuki Wada**, Tokyo (JP)

FOREIGN PATENT DOCUMENTS

(73) Assignee: **Sony Corporation**, Tokyo (JP)

JP	D1045550	8/1999
JP	D1072823	6/2000
JP	D1086821	10/2000
JP	D1110337	6/2001
JP	D1203787	4/2004
JP	D1221658	11/2004
JP	D1264259	3/2006
JP	D1264663	3/2006

(**) Term: **14 Years**

(21) Appl. No.: **29/274,845**

(22) Filed: **May 31, 2007**

(30) **Foreign Application Priority Data**

Feb. 26, 2007 (JP) D2007-004732

* cited by examiner

Primary Examiner—Antoine D. Davis
(74) *Attorney, Agent, or Firm*—Rader, Fishman & Grauer, PLLC

(51) **LOC (8) Cl.** **10-04**

(52) **U.S. Cl.** **D10/65**

(58) **Field of Classification Search** 455/566,
455/575.1, 150.1, 151.3, 90.1, 12.1, 456.1;
701/206–209, 213, 214; D10/65; 340/539.13,
340/995.1; 342/357.13, 357.06–357.09,
342/357.1, 351, 419, 457; 343/702; 345/87,
345/104, 133, 156, 168, 173, 901–905, 180,
345/184, 315, 739, 444, 499

See application file for complete search history.

(57) **CLAIM**

The ornamental design for a monitor display, as shown.

(56) **References Cited**

U.S. PATENT DOCUMENTS

D391,251 S	2/1998	Yuyama et al.	
D510,919 S	10/2005	Kubota et al.	
D531,150 S	10/2006	Yabe et al.	
D534,508 S	1/2007	Yamada	
D539,677 S *	4/2007	Riddiford	D10/65
D540,205 S *	4/2007	Hsu	D10/65
D541,683 S *	5/2007	Shiono	D10/65

DESCRIPTION

FIG. 1 is a front top right perspective view of a monitor display showing my new design;

FIG. 2 is a rear top right perspective view thereof;

FIG. 3 is a front elevational view thereof;

FIG. 4 is a rear elevational view thereof;

FIG. 5 is a left side elevational view thereof;

FIG. 6 is a right side elevational view thereof;

FIG. 7 is a top plan view thereof; and,

FIG. 8 is a bottom plan view thereof.

1 Claim, 8 Drawing Sheets

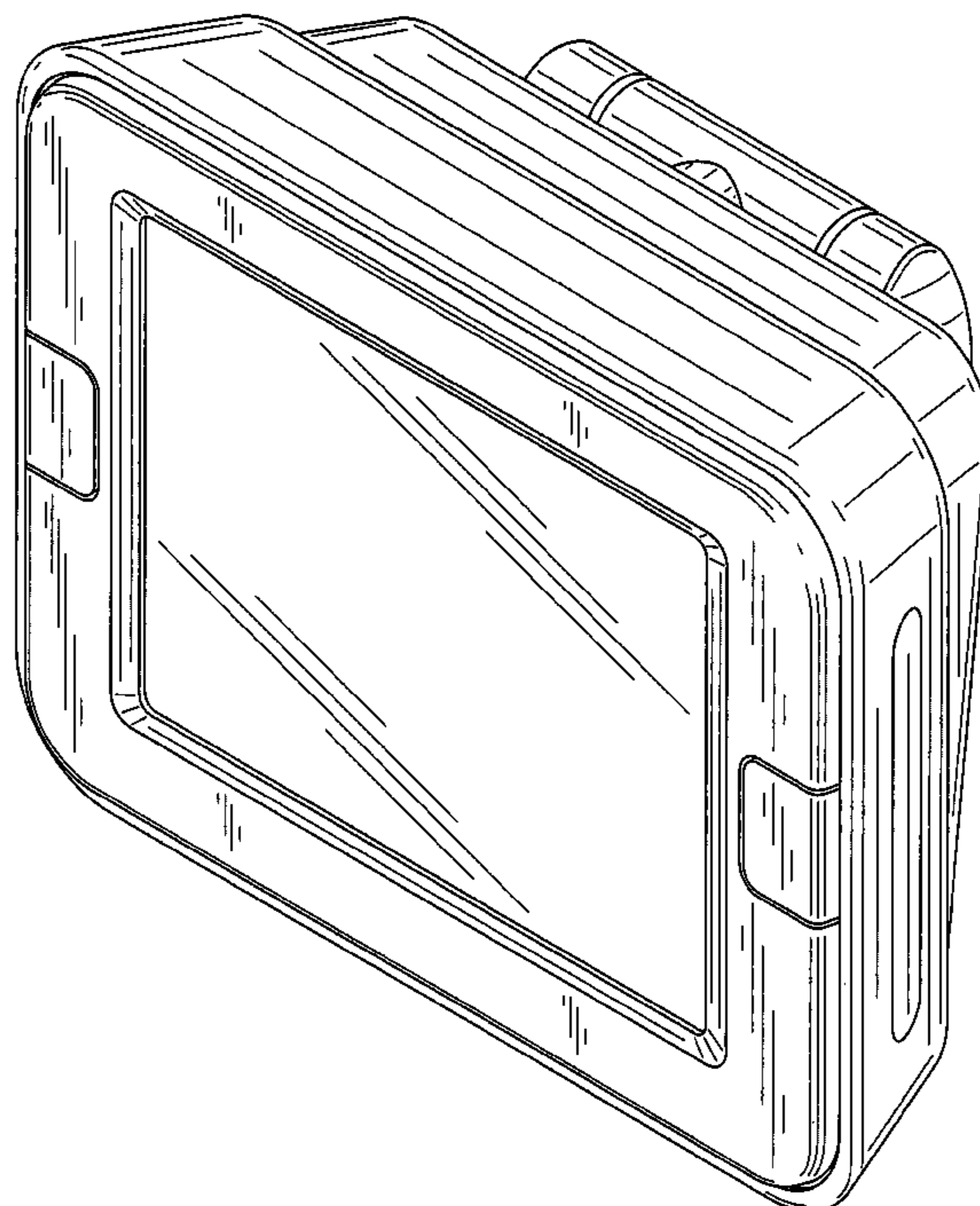


Fig.1

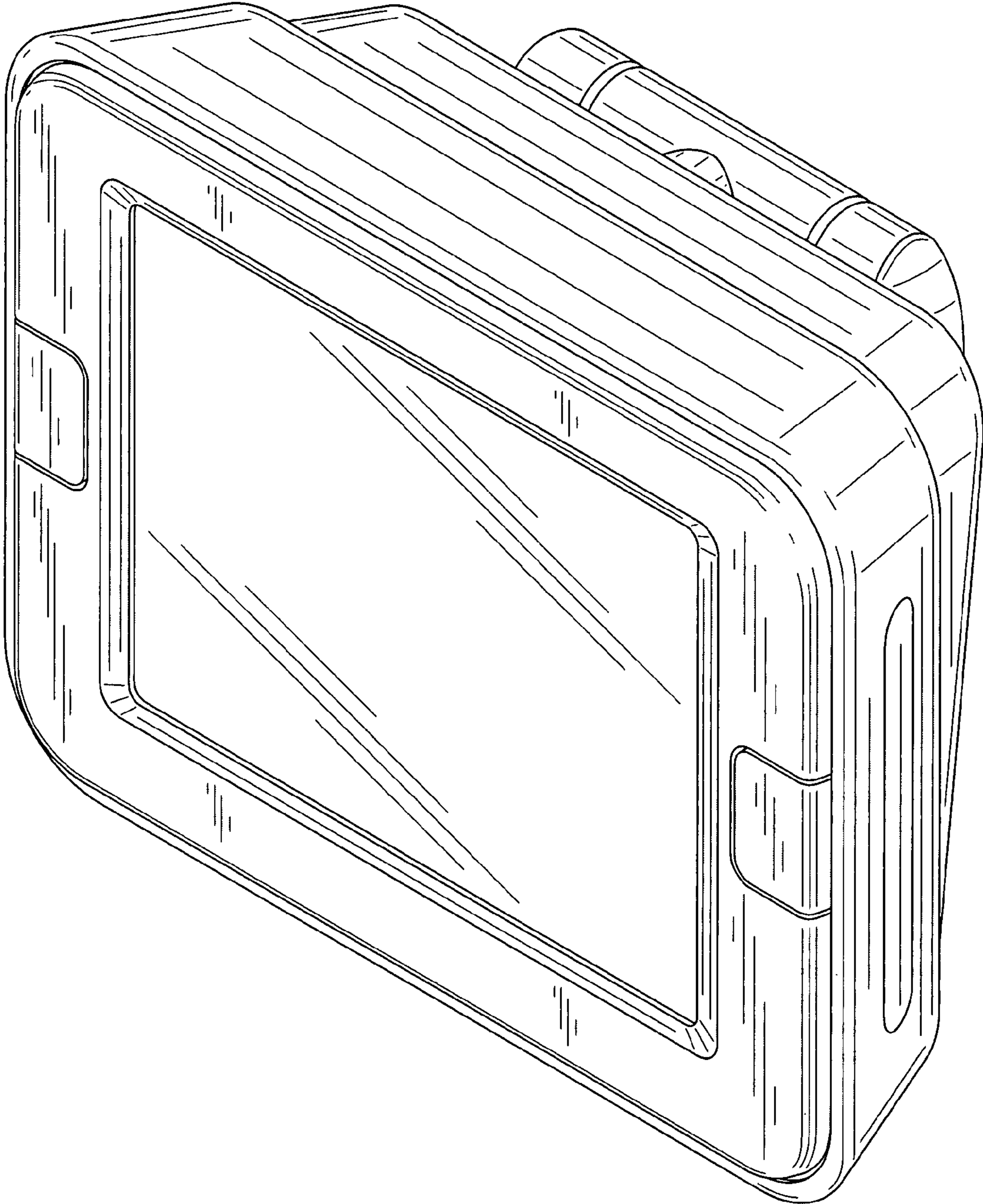


Fig.2

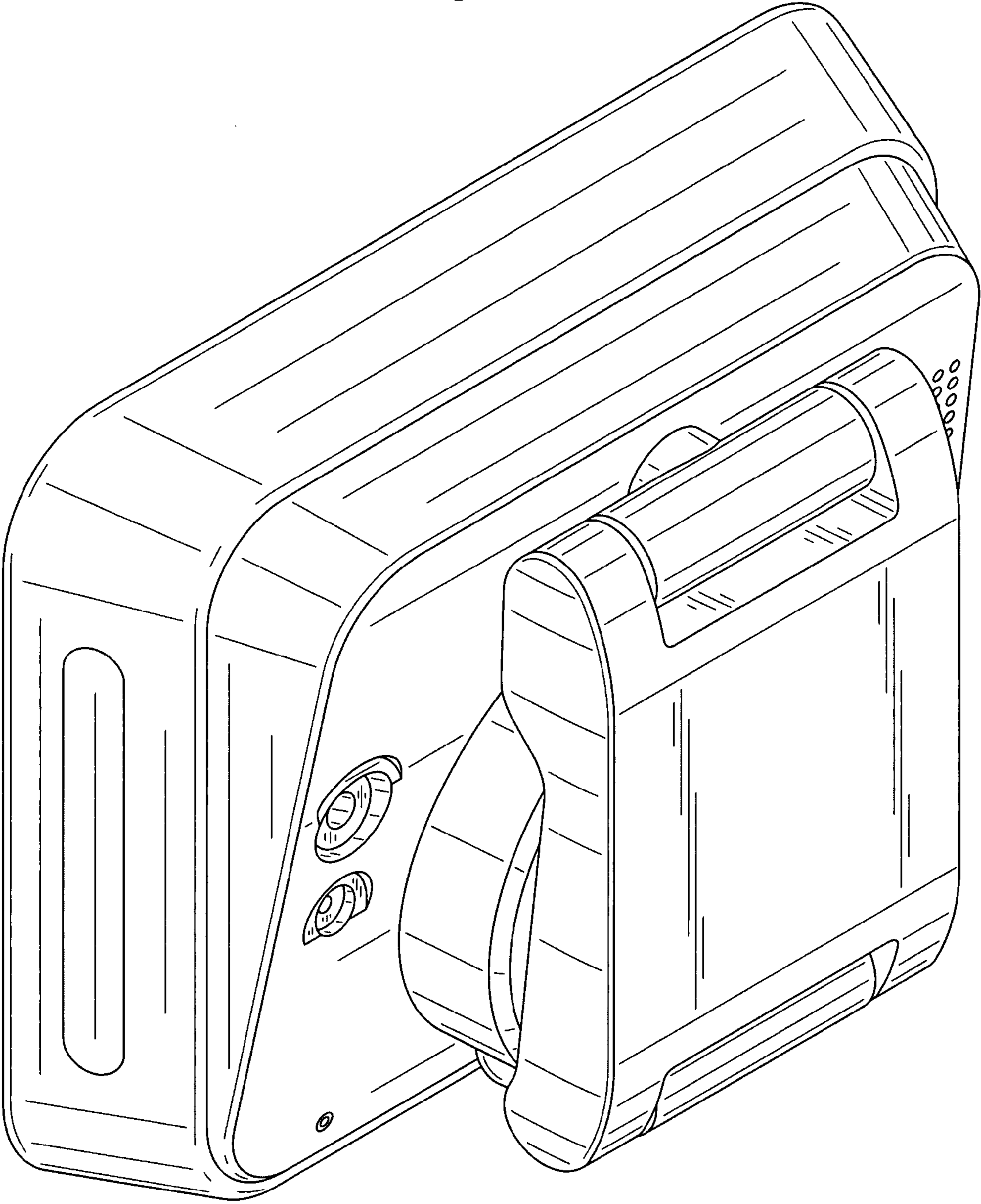


Fig.3

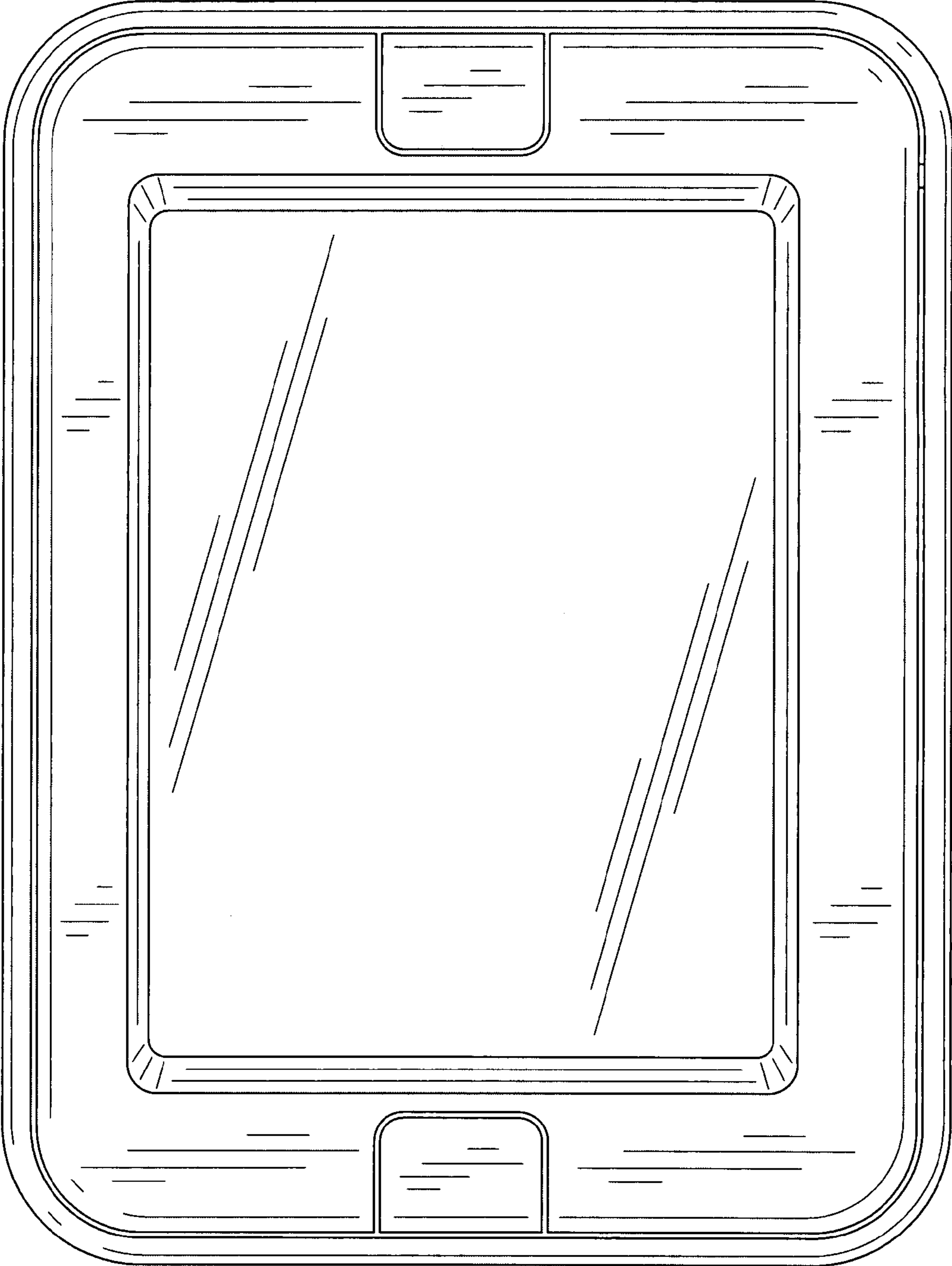


Fig.4

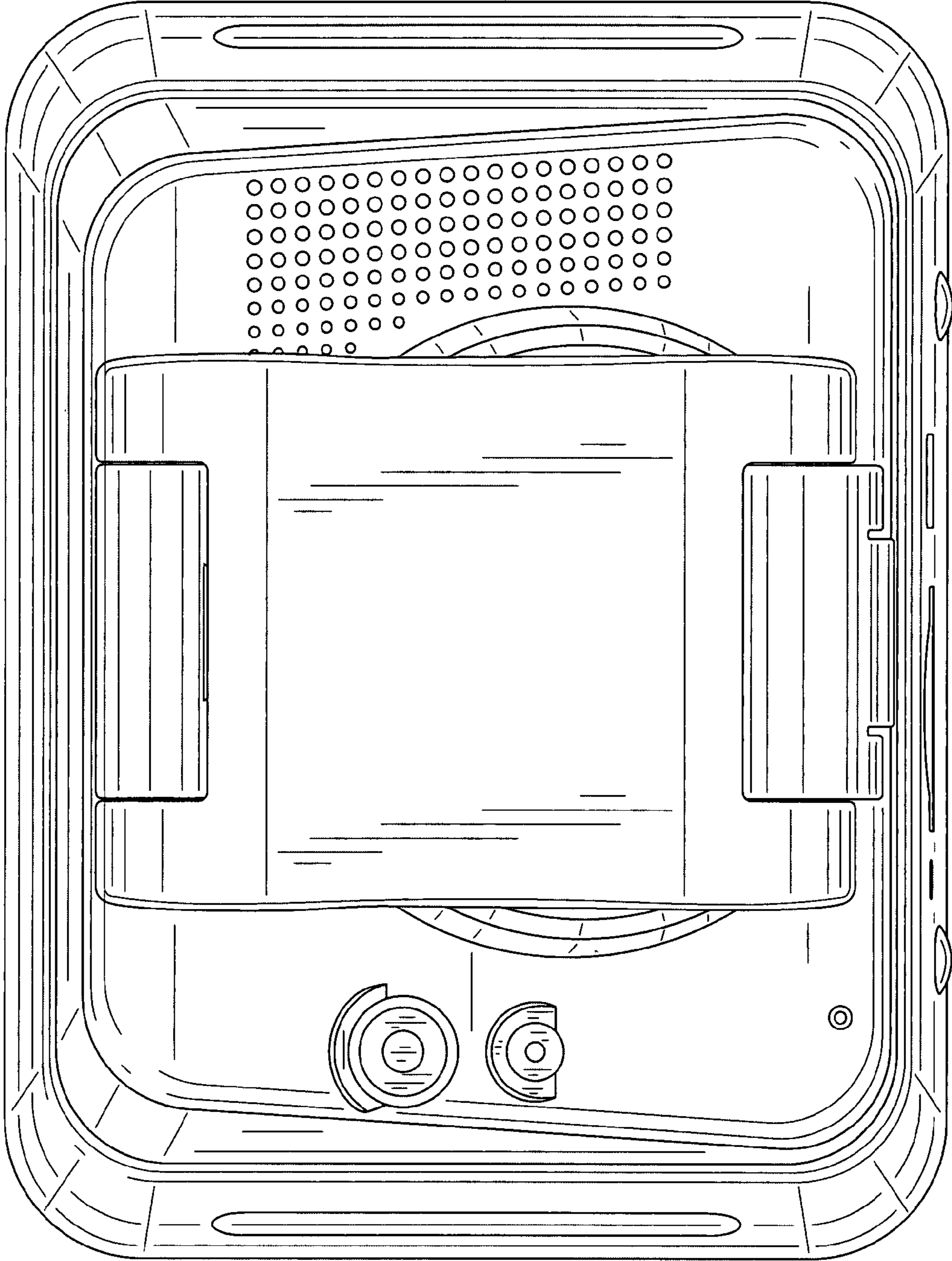


Fig.5

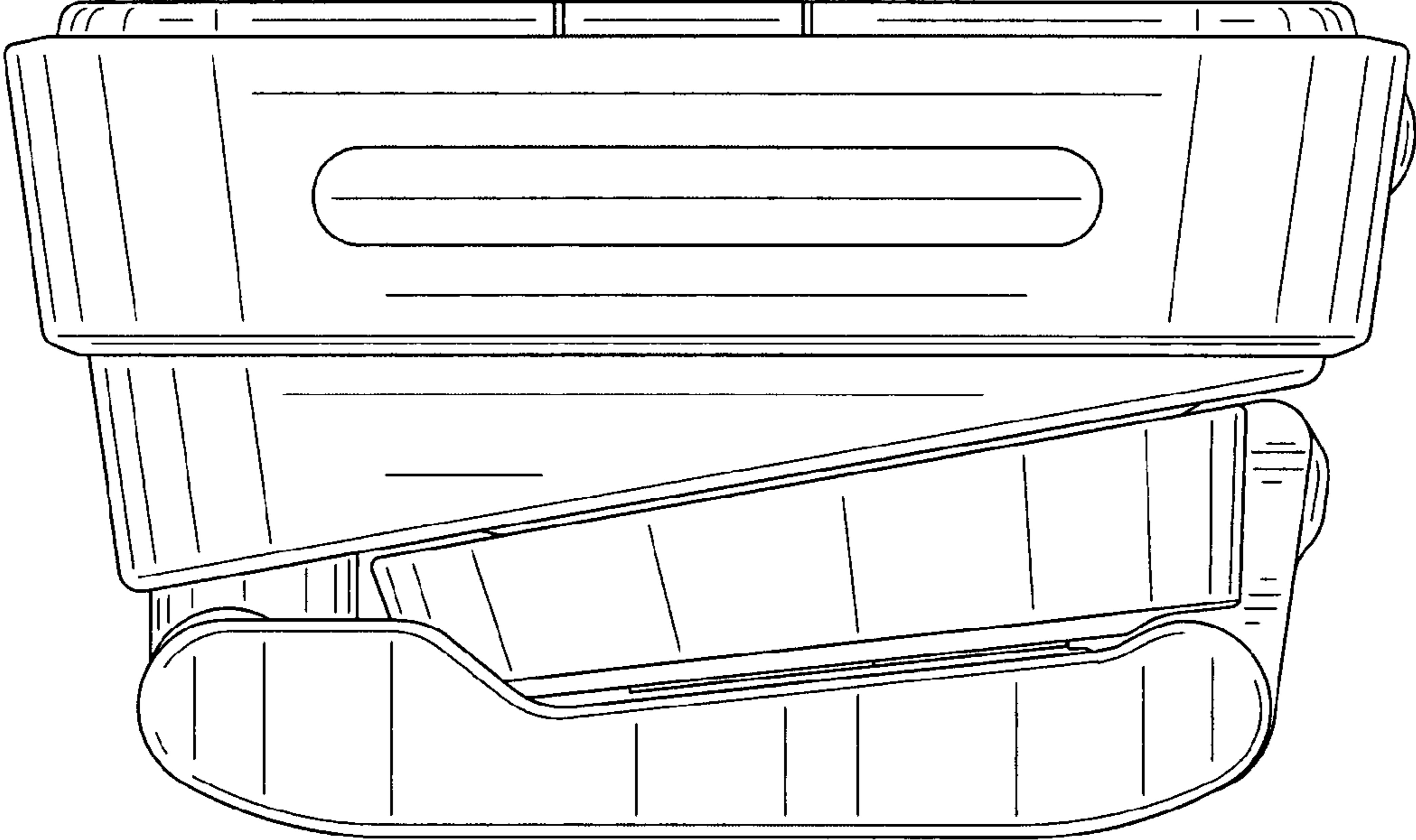


Fig.6

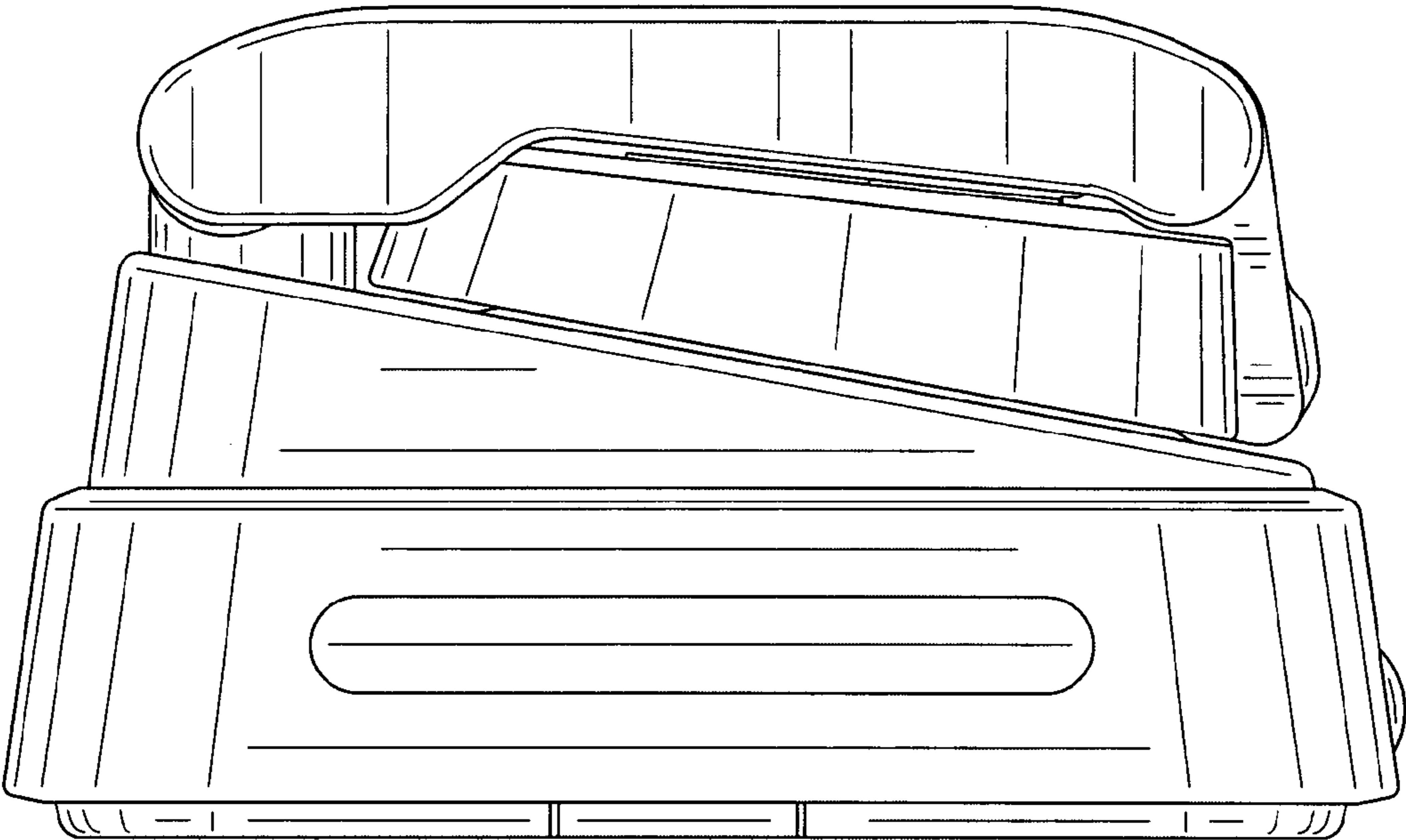


Fig. 7

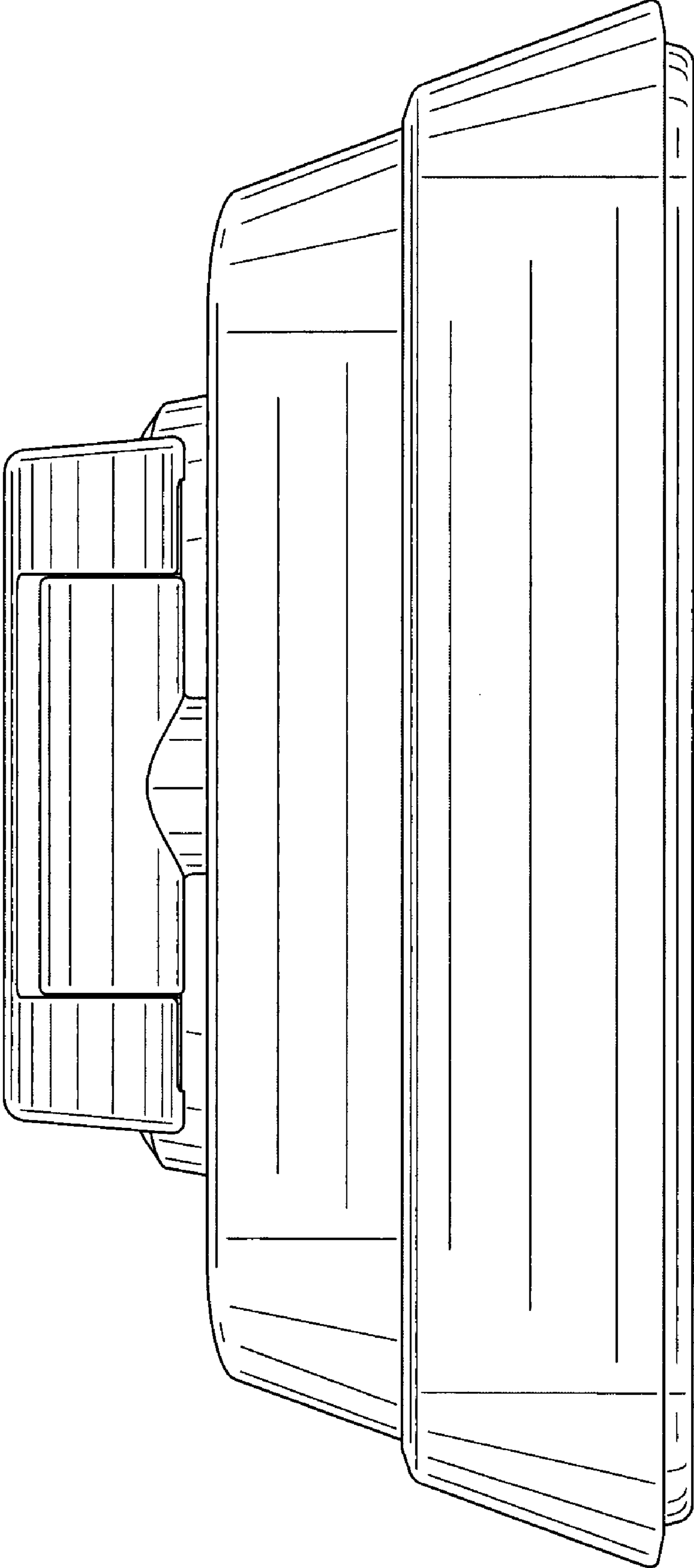


Fig.8

