



US00D564373S

(12) **United States Design Patent**  
**Yu et al.**

(10) **Patent No.:** **US D564,373 S**  
(45) **Date of Patent:** **\*\* Mar. 18, 2008**

(54) **ELECTRONIC CLINICAL THERMOMETER**  
(75) Inventors: **Chu-Yih Yu**, San Chung (TW); **Li Ping Chen**, San Chung (TW)  
(73) Assignee: **Mesure Technology Co., Ltd.**, San Chung, Taipei Hsien (TW)

*Primary Examiner*—Antoine D. Davis  
(74) *Attorney, Agent, or Firm*—Thomas, Kayden, Horstemeyer & Risley

(\*\*) Term: **14 Years**  
(21) Appl. No.: **29/280,698**  
(22) Filed: **Jun. 5, 2007**

(57) **CLAIM**

The ornamental design for an electronic clinical thermometer, as shown and described.

(51) **LOC (8) Cl.** ..... **10-04**  
(52) **U.S. Cl.** ..... **D10/57**  
(58) **Field of Classification Search** ..... D10/57;  
374/1-210  
See application file for complete search history.

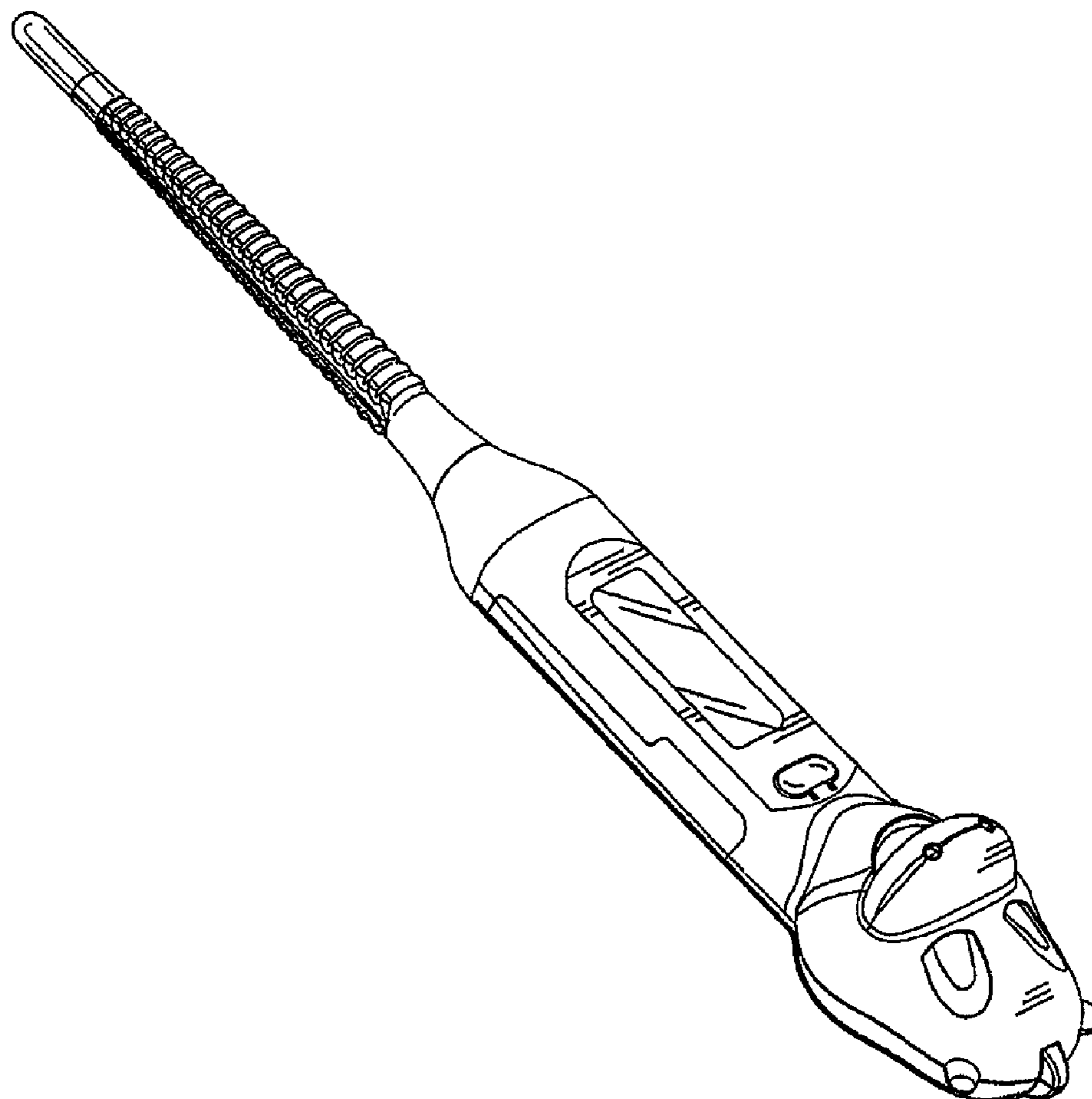
**DESCRIPTION**

FIG. 1 is a perspective view of an electronic clinical thermometer showing my new design;  
FIG. 2 is a front elevational view thereof;  
FIG. 3 is a rear elevational view thereof;  
FIG. 4 is a left side elevational view thereof;  
FIG. 5 is a right side elevational view thereof;  
FIG. 6 is a top plane view thereof; and,  
FIG. 7 is a bottom plane view thereof.

(56) **References Cited**  
U.S. PATENT DOCUMENTS  
D449,239 S \* 10/2001 Kern ..... D10/57  
D522,388 S \* 6/2006 Vu ..... D10/57

\* cited by examiner

**1 Claim, 6 Drawing Sheets**



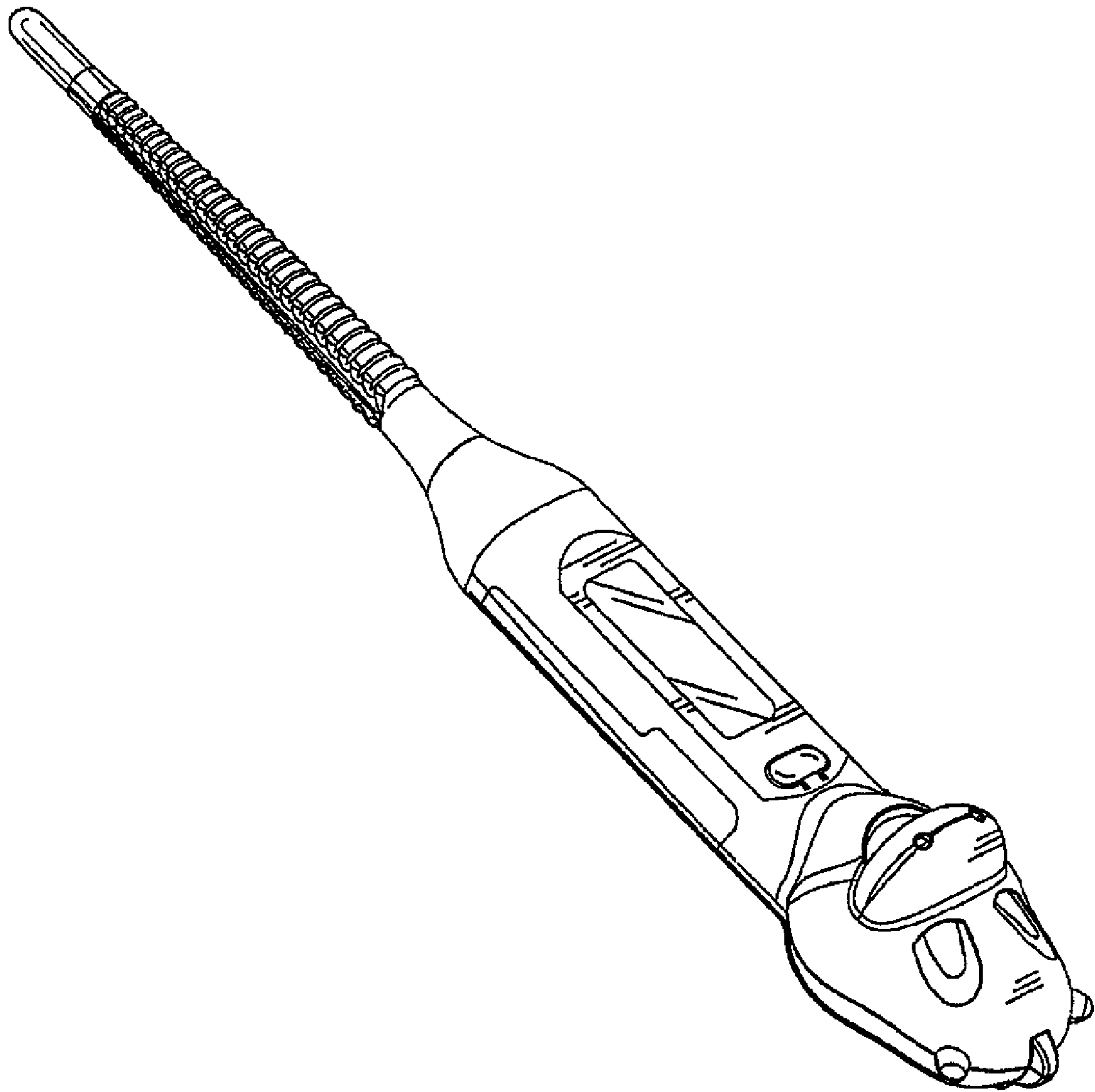


FIG. 1

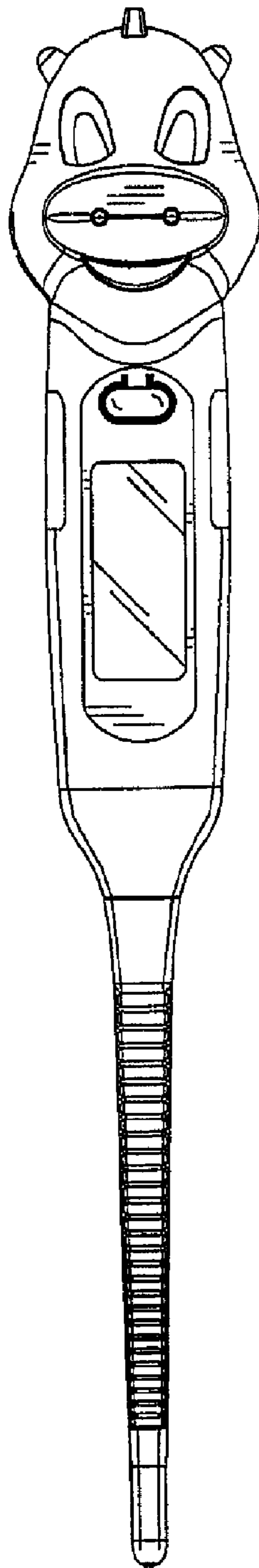


FIG. 2

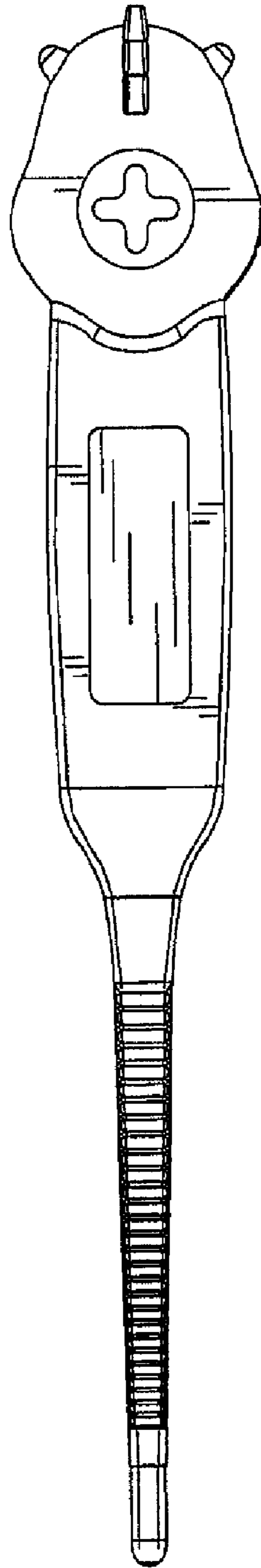


FIG. 3

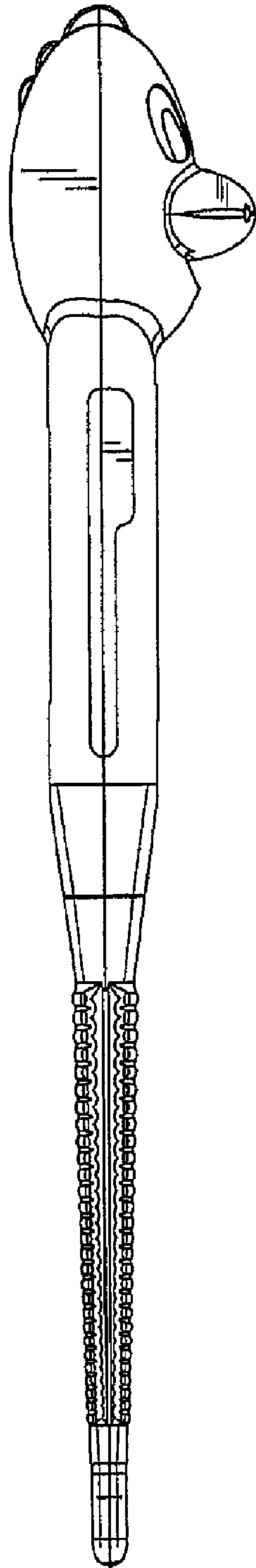


FIG. 4

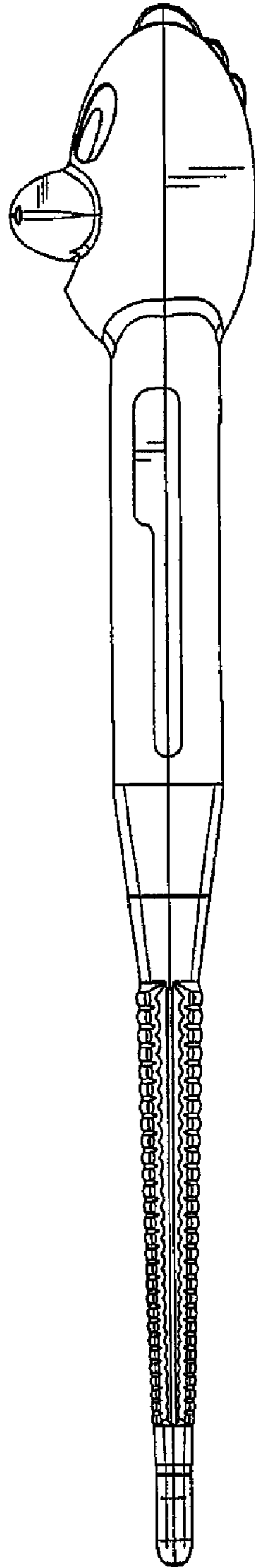


FIG. 5

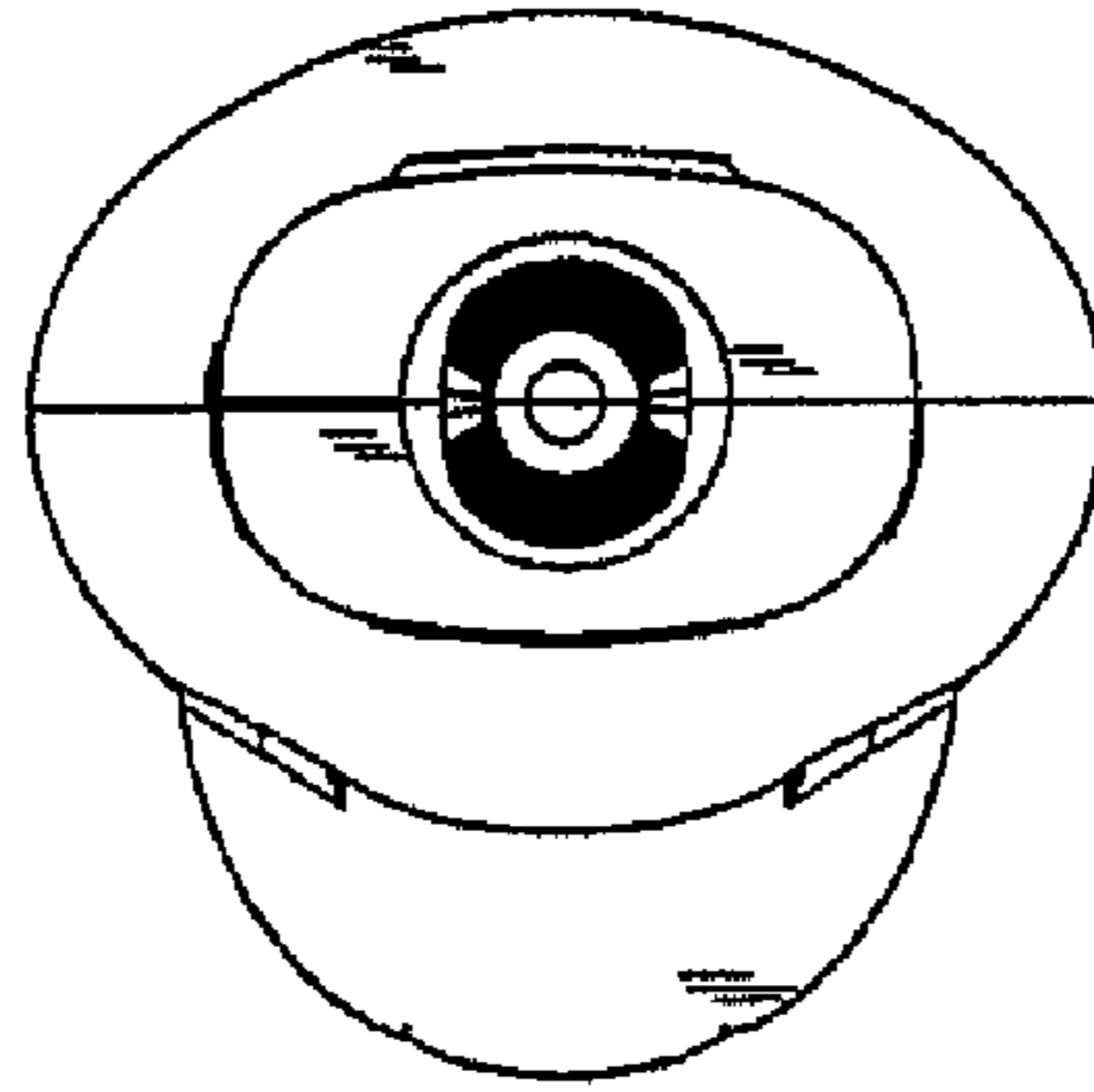


FIG. 6

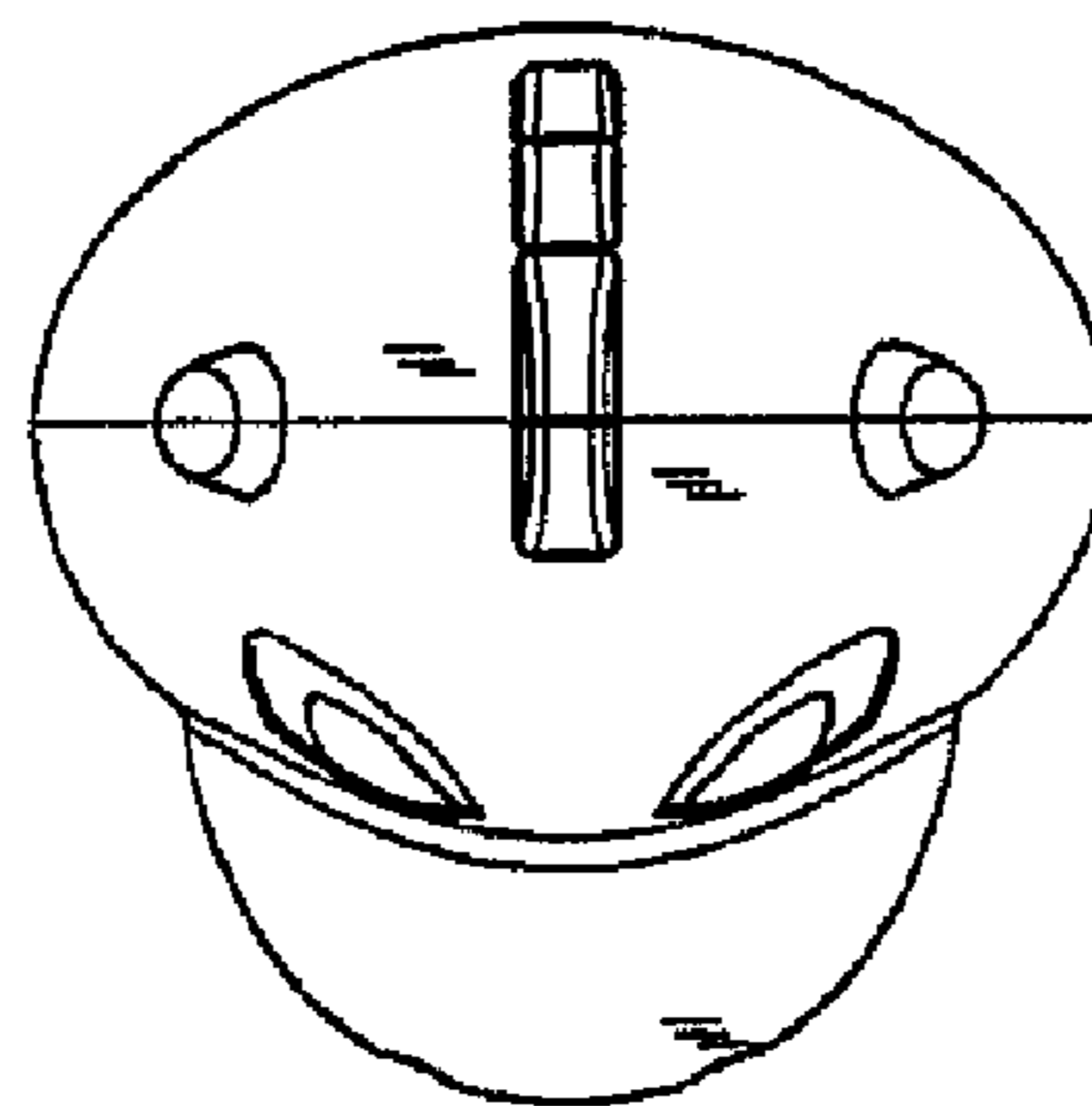


FIG. 7

UNITED STATES PATENT AND TRADEMARK OFFICE  
**CERTIFICATE OF CORRECTION**

PATENT NO. : Des. 564,373 S  
APPLICATION NO. : 29/280698  
DATED : March 18, 2008  
INVENTOR(S) : Yu et al.

Page 1 of 1

It is certified that error appears in the above-identified patent and that said Letters Patent is hereby corrected as shown below:

Title Page: item (75); John Jiannyuh Chen, San Chung; should be added as an inventor

Signed and Sealed this

Seventeenth Day of November, 2009

A handwritten signature in black ink that reads "David J. Kappos". The signature is written in a cursive style with a large initial 'D' and 'K'.

David J. Kappos  
*Director of the United States Patent and Trademark Office*