



US00D564370S

(12) **United States Design Patent**  
**Bove et al.**

(10) **Patent No.:** **US D564,370 S**  
(45) **Date of Patent:** **\*\* Mar. 18, 2008**

(54) **WATCH CASE**

(75) Inventors: **Guy Bove**, Schaffhausen (CH);  
**Matthias Kummer**, Schaffhausen (CH)

(73) Assignee: **Richemont International SA**,  
Villars-sur-Glane (CH)

(\*\*) Term: **14 Years**

(21) Appl. No.: **29/280,937**

(22) Filed: **Jun. 11, 2007**

(30) **Foreign Application Priority Data**

Dec. 11, 2006 (EP) ..... DM/068 404

(51) **LOC (8) Cl.** ..... **10-02**

(52) **U.S. Cl.** ..... **D10/38**

(58) **Field of Classification Search** ..... D10/30,  
D10/31, 32, 38, 39; 368/276, 281, 282, 285,  
368/80

See application file for complete search history.

(56) **References Cited**

**U.S. PATENT DOCUMENTS**

D77,439 S *	1/1929	Stegman	.....	D10/38
D79,675 S *	10/1929	Stegman	.....	D10/38
D151,301 S *	10/1948	Tuffo	.....	D10/31
2,518,163 A *	8/1950	Megar	.....	63/4
D244,761 S *	6/1977	Sulek	.....	D10/38
D293,553 S *	1/1988	Sakamaki	.....	D10/30
D363,030 S *	10/1995	Kubo	.....	D10/39

D420,293 S *	2/2000	Parmigiani	.....	D10/30
D458,853 S *	6/2002	Finazzi	.....	D10/39
D490,000 S *	5/2004	Lassigne	.....	D10/32
D493,375 S *	7/2004	Arabov	.....	D10/39
D497,813 S *	11/2004	Monti	.....	D10/39
D506,684 S *	6/2005	Junod	.....	D10/30
D510,707 S *	10/2005	Cheng	.....	D10/30
D524,175 S *	7/2006	Zanette	.....	D10/38
D540,699 S *	4/2007	Niculescu	.....	D10/39

\* cited by examiner

*Primary Examiner*—Lucy Lieberman

(74) *Attorney, Agent, or Firm*—Young & Thompson

(57) **CLAIM**

The ornamental design for a watch case, as shown and described.

**DESCRIPTION**

FIG. 1 is a top plan view of a watch case showing our new design;

FIG. 2 is a bottom plan view thereof;

FIG. 3 is a view thereof from the right of FIG. 1;

FIG. 4 is a view thereof from the left of FIG. 1;

FIG. 5 is a view thereof from the bottom of FIG. 1;

FIG. 6 is a view thereof from the top of FIG. 2;

FIG. 7 is a top and side perspective view thereof; and,

FIG. 8 is a top and side perspective view thereof from the side opposite that shown in FIG. 7.

**1 Claim, 4 Drawing Sheets**

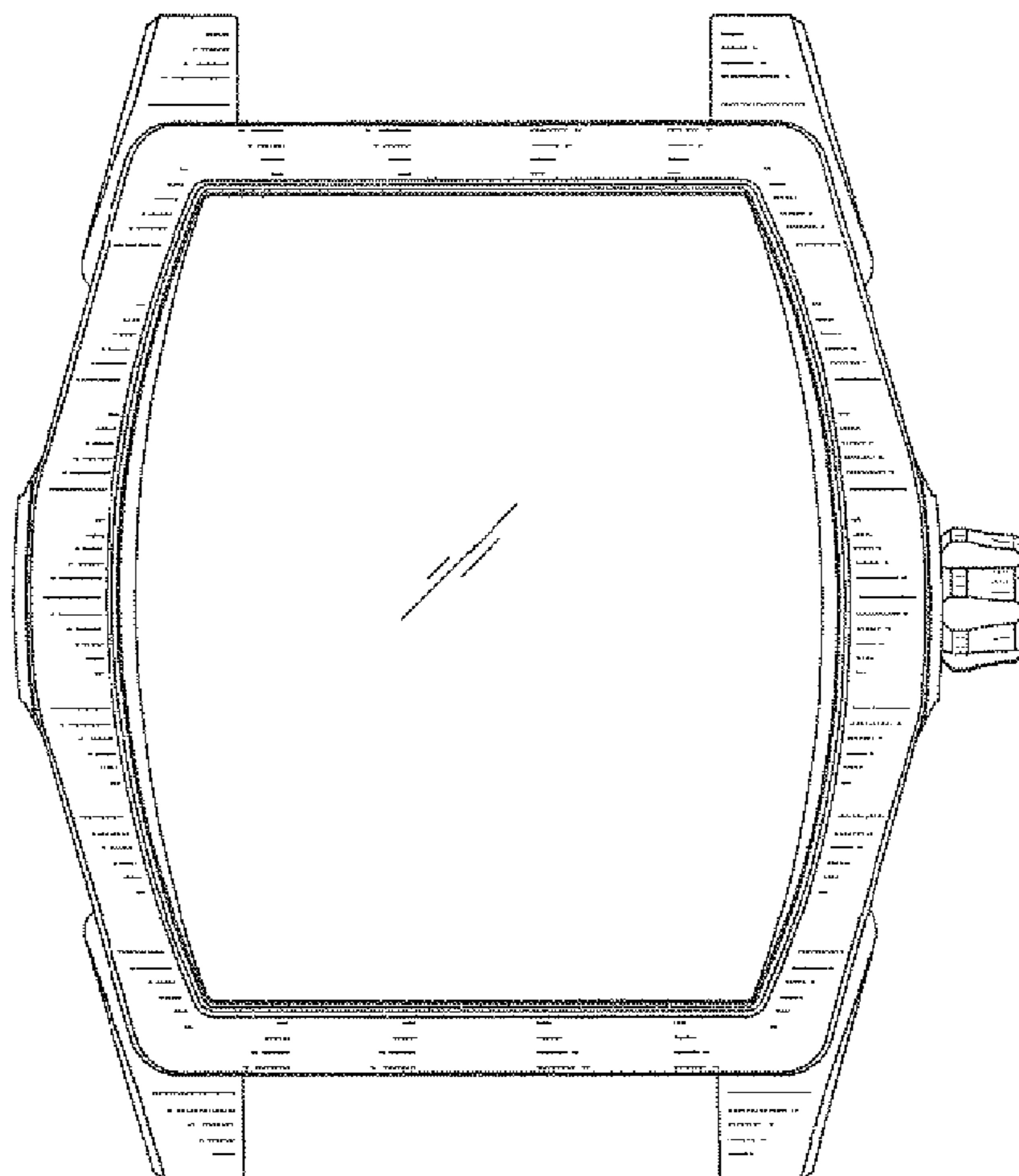


Fig.1

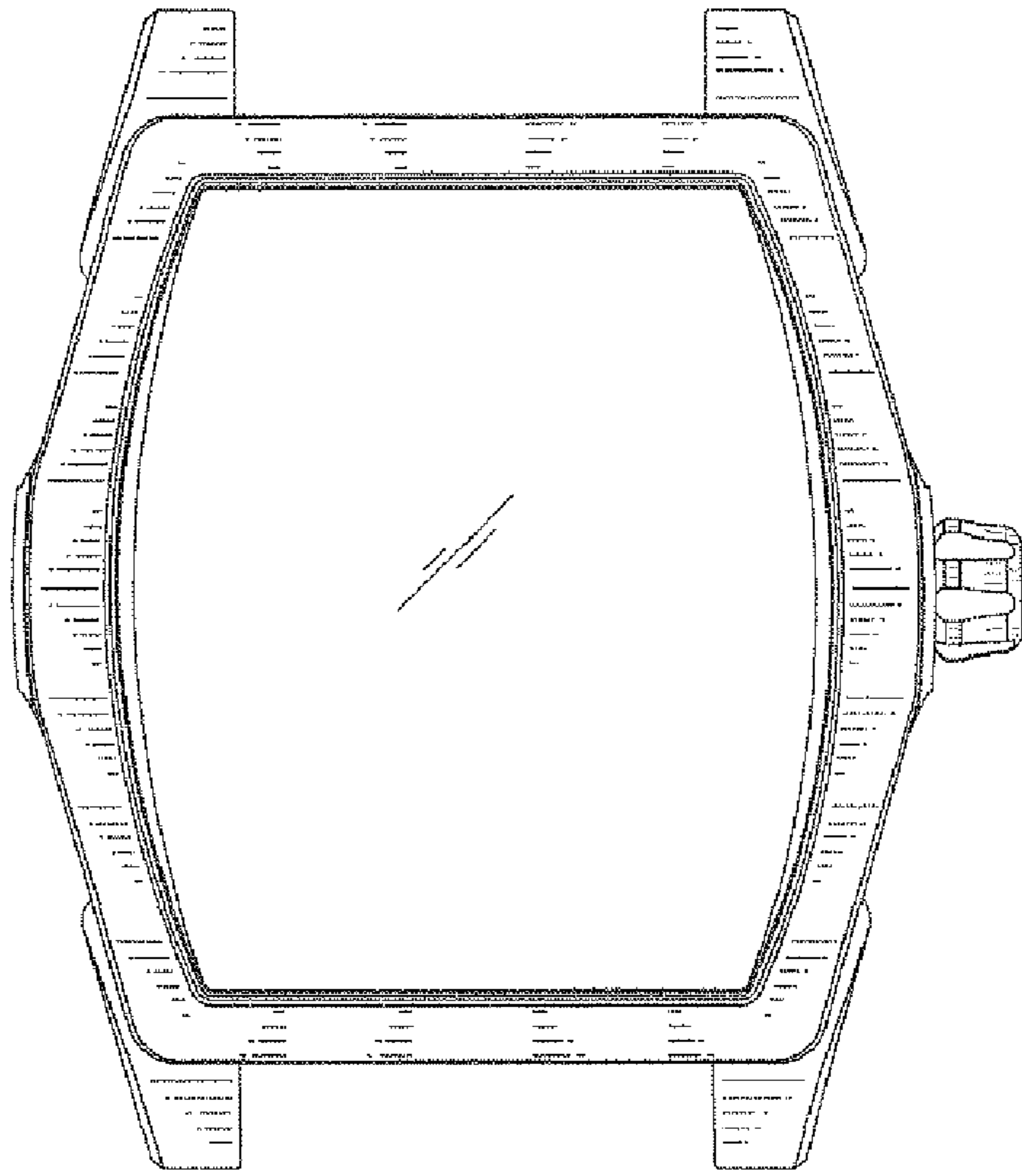


Fig.2

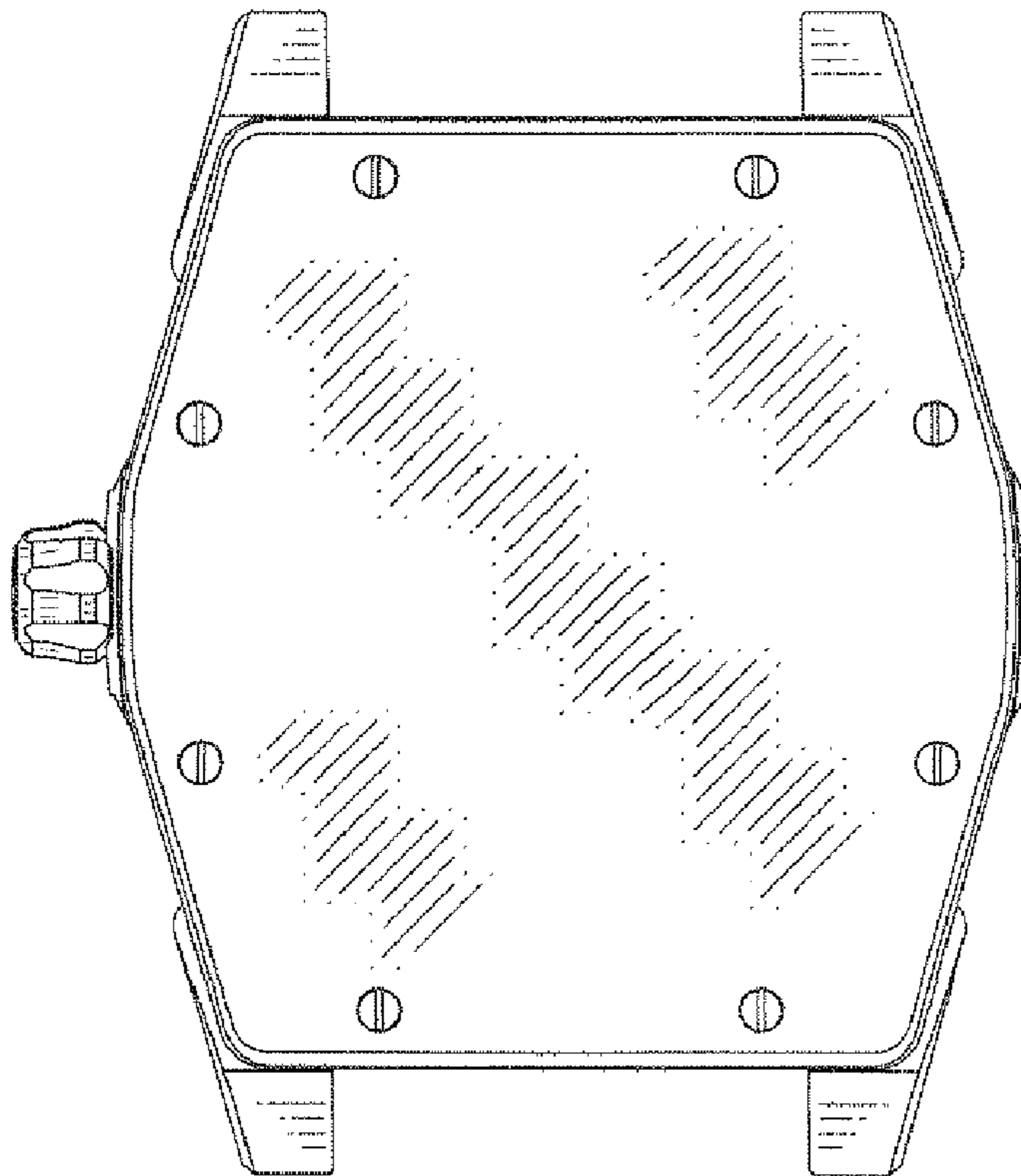


Fig.3

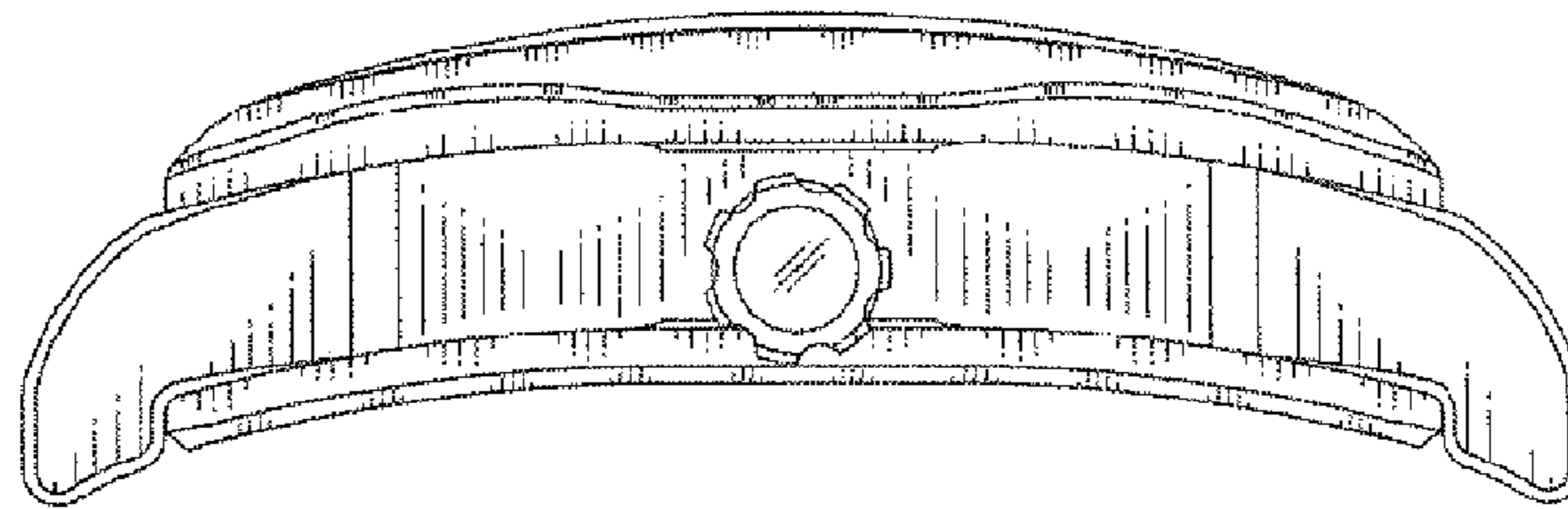


Fig.4

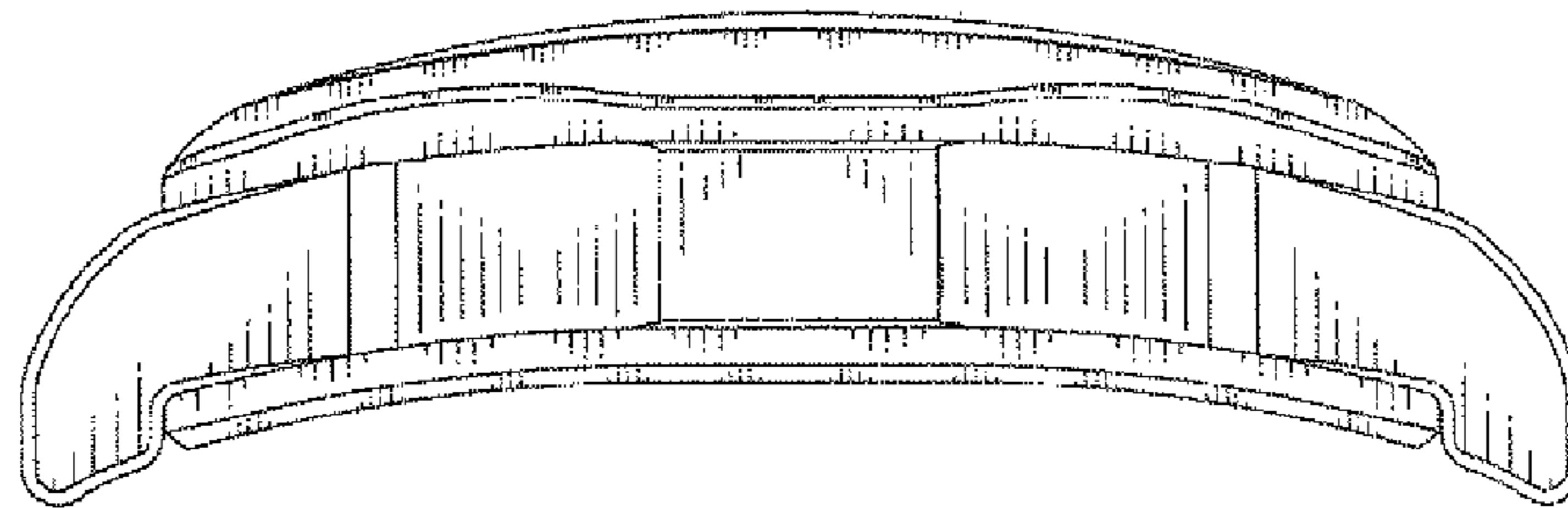


Fig.5

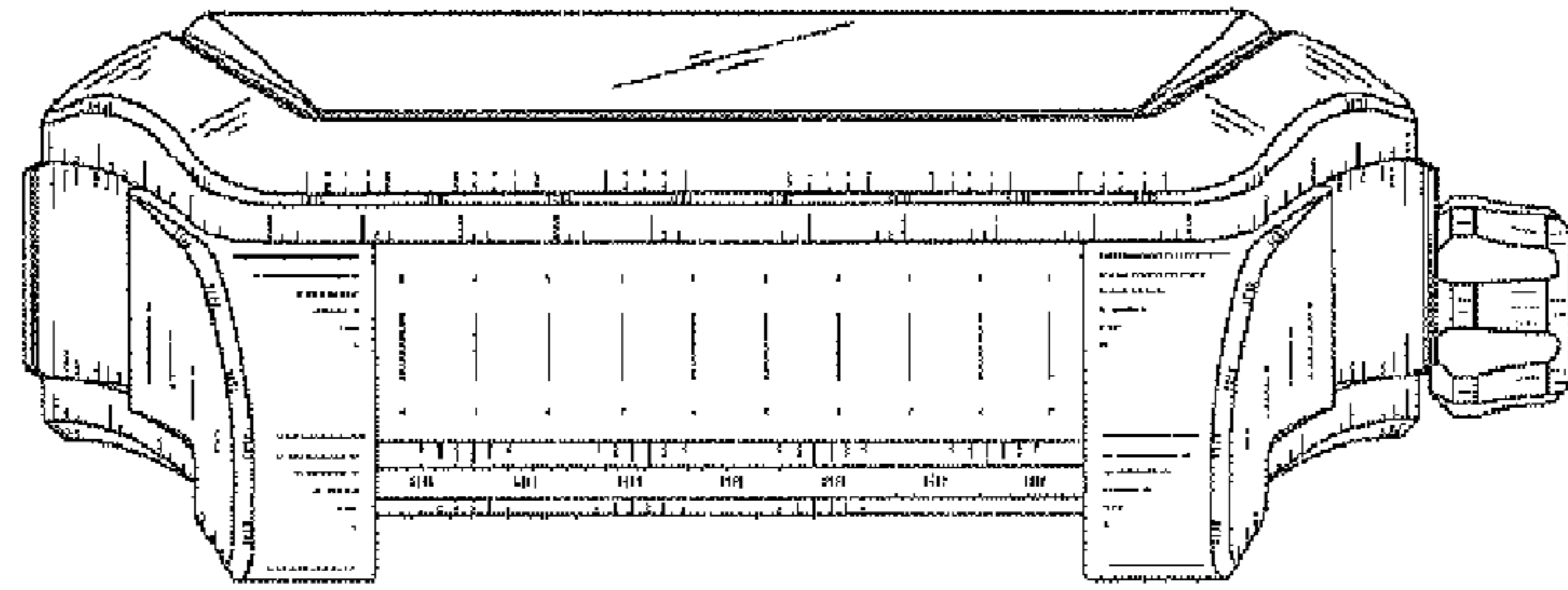


Fig.6

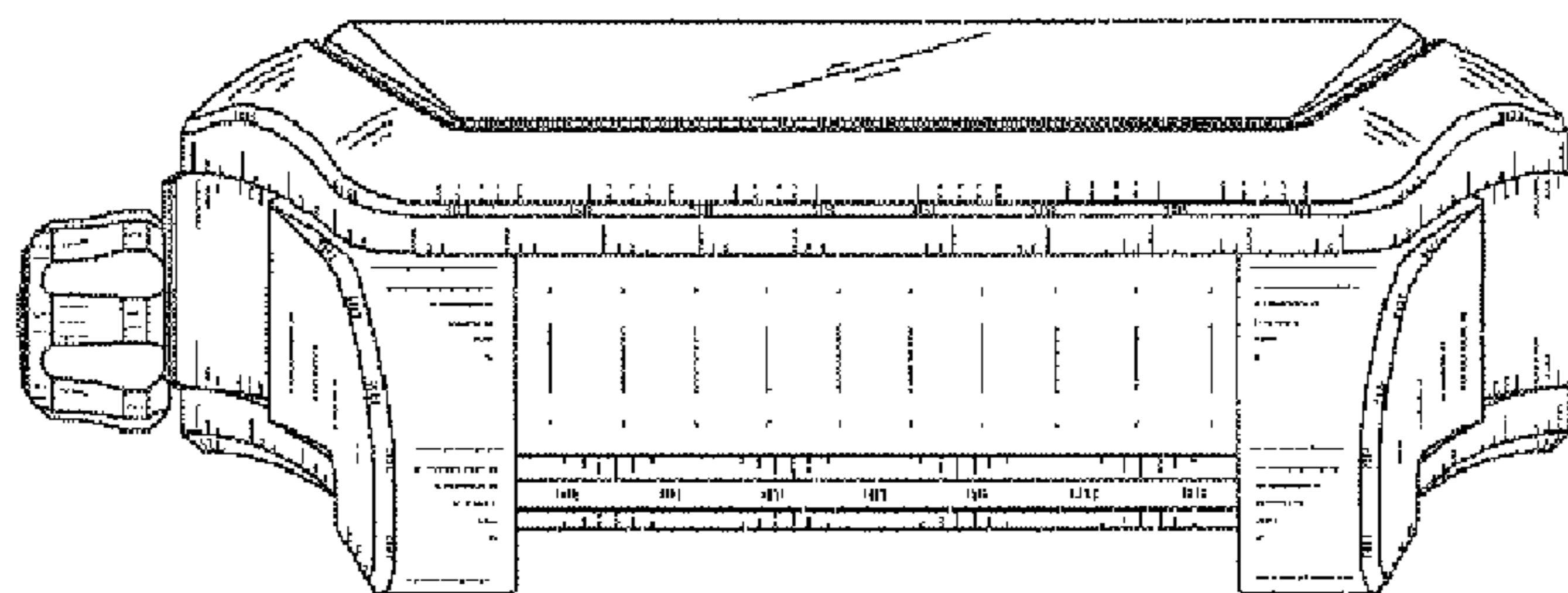


Fig.7

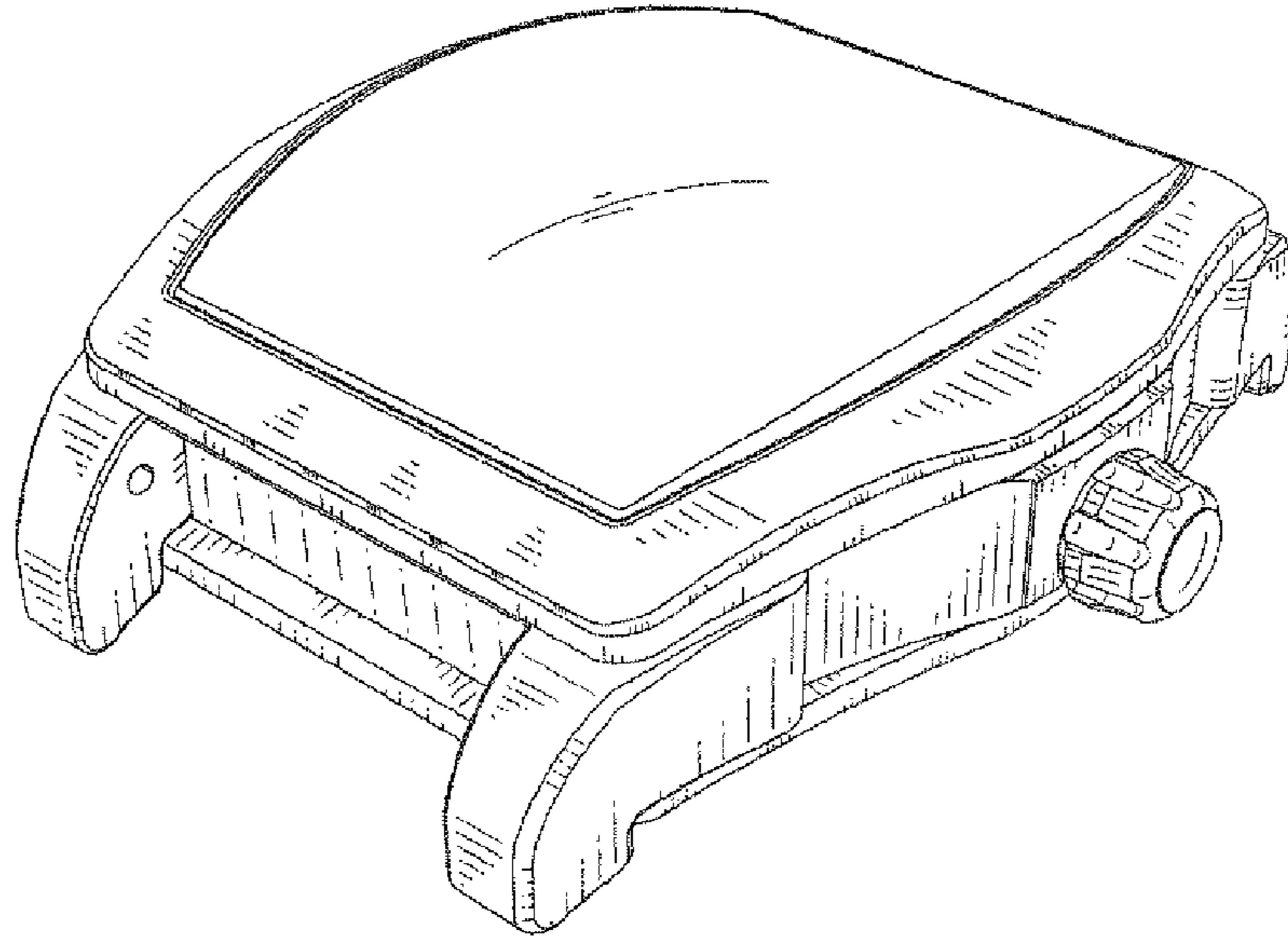


Fig.8

