



US00D564369S

(12) **United States Design Patent**  
**Molyneux**

(10) **Patent No.:** **US D564,369 S**  
(45) **Date of Patent:** **\*\* Mar. 18, 2008**

(54) **PORTION OF A WATCH**  
(75) Inventor: **James Molyneux**, Portland, OR (US)  
(73) Assignee: **NIKE, Inc.**, Beaverton, OR (US)  
(\*\*) Term: **14 Years**  
(21) Appl. No.: **29/298,259**  
(22) Filed: **Nov. 30, 2007**

D407,326 S 3/1999 Sakai  
D410,854 S 6/1999 Cheung et al.  
D419,078 S 1/2000 Bonnett  
D421,227 S 2/2000 Hiramatsu  
D421,396 S 3/2000 Nakai  
D427,918 S \* 7/2000 Nakai et al. .... D10/31  
D429,468 S \* 8/2000 Nakai et al. .... D10/31  
D434,675 S 12/2000 Ando et al.

(51) **LOC (8) Cl.** ..... **10-02**  
(52) **U.S. Cl.** ..... **D10/31; D10/38**  
(58) **Field of Classification Search** ..... D10/30-39,  
D10/122-132; 368/276-278, 281, 282, 285,  
368/10, 239-242, 82-84, 28-30; D14/435,  
D14/436

See application file for complete search history.

(56) **References Cited**

**U.S. PATENT DOCUMENTS**

2,590,572 A \* 3/1952 Rasmussen ..... 224/170  
D237,260 S \* 10/1975 Innes ..... D10/30  
4,006,587 A \* 2/1977 Huguenin ..... 368/281  
D284,642 S \* 7/1986 Kabaya ..... D10/38  
D296,993 S \* 8/1988 Givings ..... D10/32  
D310,490 S \* 9/1990 Fong ..... D10/32  
5,301,154 A 4/1994 Suga  
5,355,352 A 10/1994 Kobayashi et al.  
D355,614 S 2/1995 Sato  
D355,858 S 2/1995 Sugita  
D359,003 S 6/1995 Davis et al.  
D361,280 S 8/1995 Hanagata  
D362,809 S 10/1995 Sigmund  
5,471,438 A 11/1995 Kobayashi et al.  
D365,550 S 12/1995 Houlihan  
5,481,506 A 1/1996 Kita  
D372,707 S \* 8/1996 Grewe et al. .... D14/435  
5,600,611 A 2/1997 Kamens  
D382,214 S 8/1997 Liao  
D387,296 S 12/1997 Yuen  
D392,572 S 3/1998 Larsen et al.  
D404,315 S 1/1999 Azegami  
D404,316 S 1/1999 Azagami et al.  
D404,653 S 1/1999 Azagami et al.

(Continued)

**FOREIGN PATENT DOCUMENTS**

JP 2003140771 A \* 5/2003

(Continued)

*Primary Examiner*—Lucy Lieberman  
(74) *Attorney, Agent, or Firm*—Banner & Witcoff, Ltd.

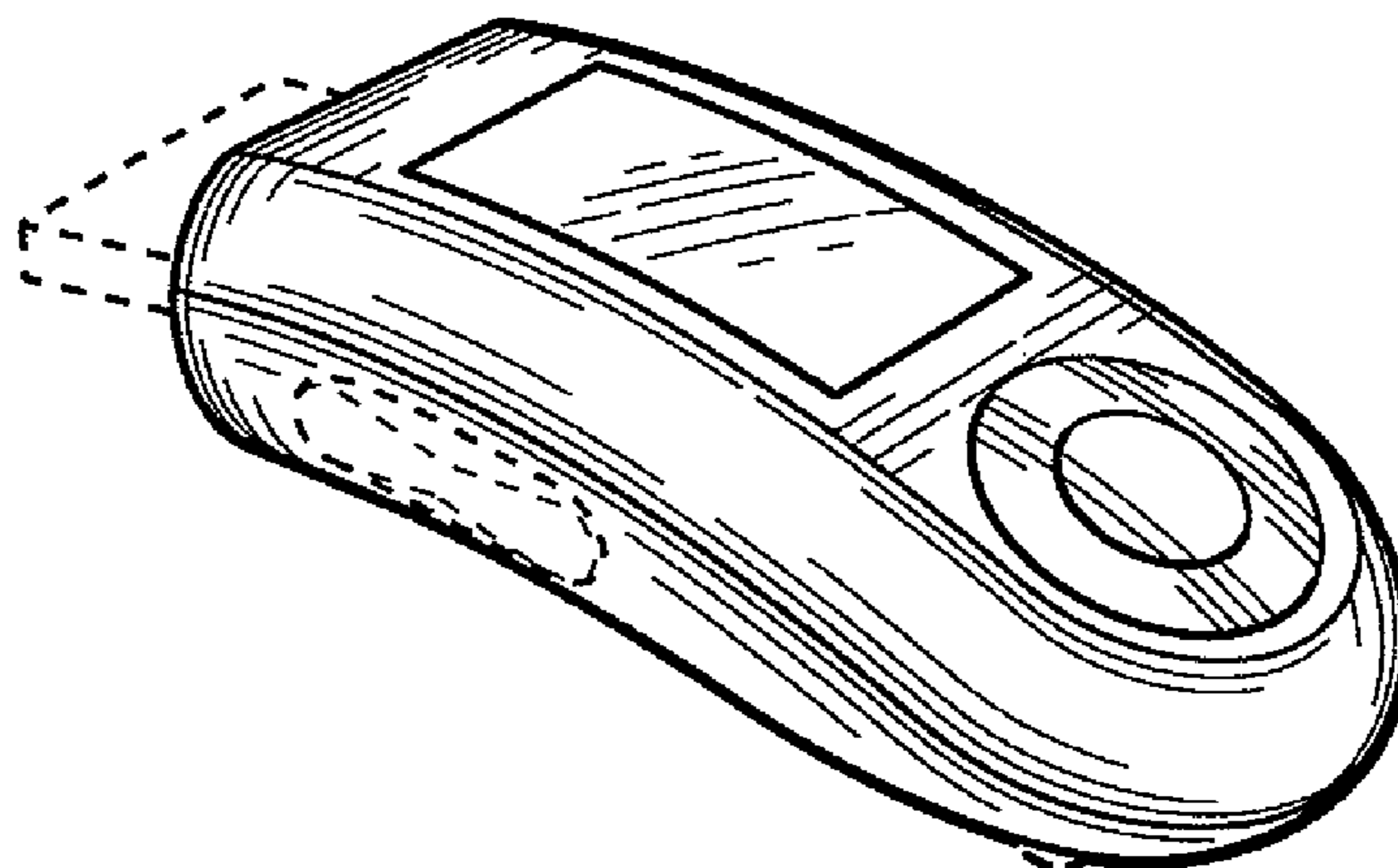
(57) **CLAIM**

The ornamental design for a portion of a watch, as shown and described.

**DESCRIPTION**

FIG. 1 is a front top perspective view of a portion of a watch showing my new design;  
FIG. 2 is a bottom rear perspective view thereof;  
FIG. 3 is a left view thereof;  
FIG. 4 is a right view thereof;  
FIG. 5 is a front view thereof,  
FIG. 6 is a rear view thereof;  
FIG. 7 is a top view thereof; and,  
FIG. 8 is a bottom view thereof.  
The broken line showing in the drawings is for illustrative purposes only and forms no part of the claimed design.

**1 Claim, 4 Drawing Sheets**



# US D564,369 S

Page 2

## U.S. PATENT DOCUMENTS

D435,458 S	12/2000	Lewis et al.	
D435,460 S	12/2000	Cebe et al.	
D444,395 S	7/2001	Upton	
D445,040 S	7/2001	Bodino	
D447,703 S	9/2001	Bodino	
D448,680 S *	10/2001	Kubo	D10/30
D449,006 S	10/2001	Blauner et al.	
D451,821 S	12/2001	Matsuda	
D452,007 S *	12/2001	Rantala	D24/167
D452,170 S *	12/2001	Tomimatsu	D10/30
D453,485 S	2/2002	Kubo	
D453,904 S	2/2002	Terashima	
D455,665 S	4/2002	Schoenfish et al.	
D455,968 S	4/2002	Lassigne	
D463,750 S	10/2002	Tomimatsu	
6,525,999 B1	2/2003	Shevins	
D471,471 S *	3/2003	Fu et al.	D10/32
D473,798 S	4/2003	Fu et al.	
D474,697 S	5/2003	Fu et al.	
D482,010 S	11/2003	Nuovo et al.	
D488,072 S	4/2004	Gensini	
D488,391 S	4/2004	Kume	
D500,301 S	12/2004	Deguchi	
D500,302 S	12/2004	Deguchi	
D500,485 S	1/2005	Deguchi	
D502,112 S	2/2005	Hsu	
D507,550 S	7/2005	Kim et al.	
D508,031 S	8/2005	Kim et al.	
D511,519 S *	11/2005	Bone et al.	D14/432
D511,704 S	11/2005	Zwingmann	
D513,005 S *	12/2005	Kobayakawa	D14/435
D524,173 S	7/2006	Mouquet	
D525,147 S	7/2006	Sogoyan	
D532,316 S	11/2006	Barbeau et al.	
D533,791 S	12/2006	Arabo	
D543,192 S	5/2007	Jung	
D544,479 S	6/2007	Chen	
D545,220 S	6/2007	Leung	
D546,325 S *	7/2007	Chen	D14/356
D546,328 S *	7/2007	Kobayakawa	D14/358
D547,758 S	7/2007	Ho et al.	
D549,708 S *	8/2007	Phillips et al.	D14/435
D552,572 S	10/2007	Kim et al.	
D554,119 S *	10/2007	Otsuka et al.	D14/356
2004/0233786 A1	11/2004	Ting	
2007/0064542 A1 *	3/2007	Fukushima	368/282

## FOREIGN PATENT DOCUMENTS

JP 2006284365 A \* 10/2006

\* cited by examiner

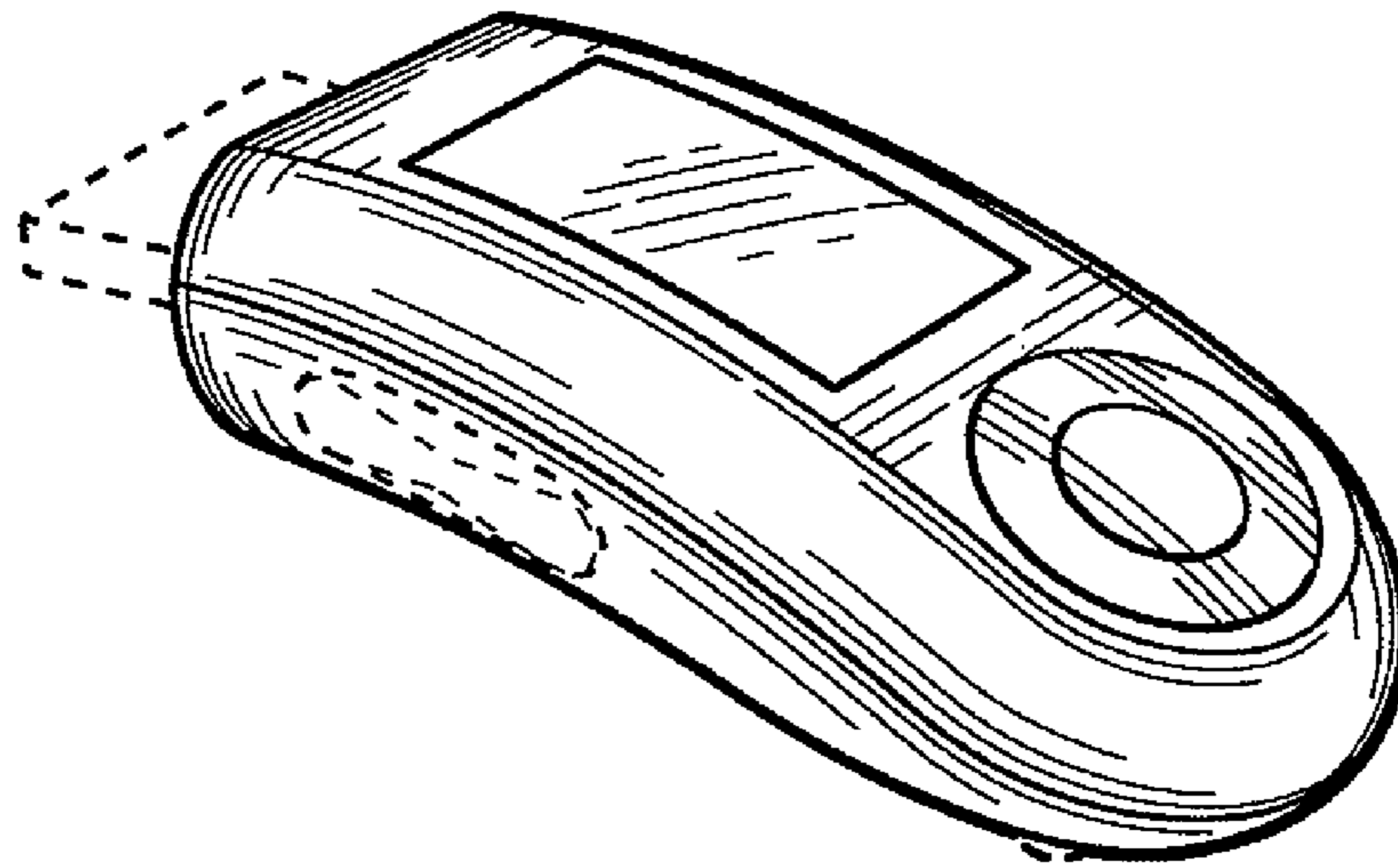


FIG. 1

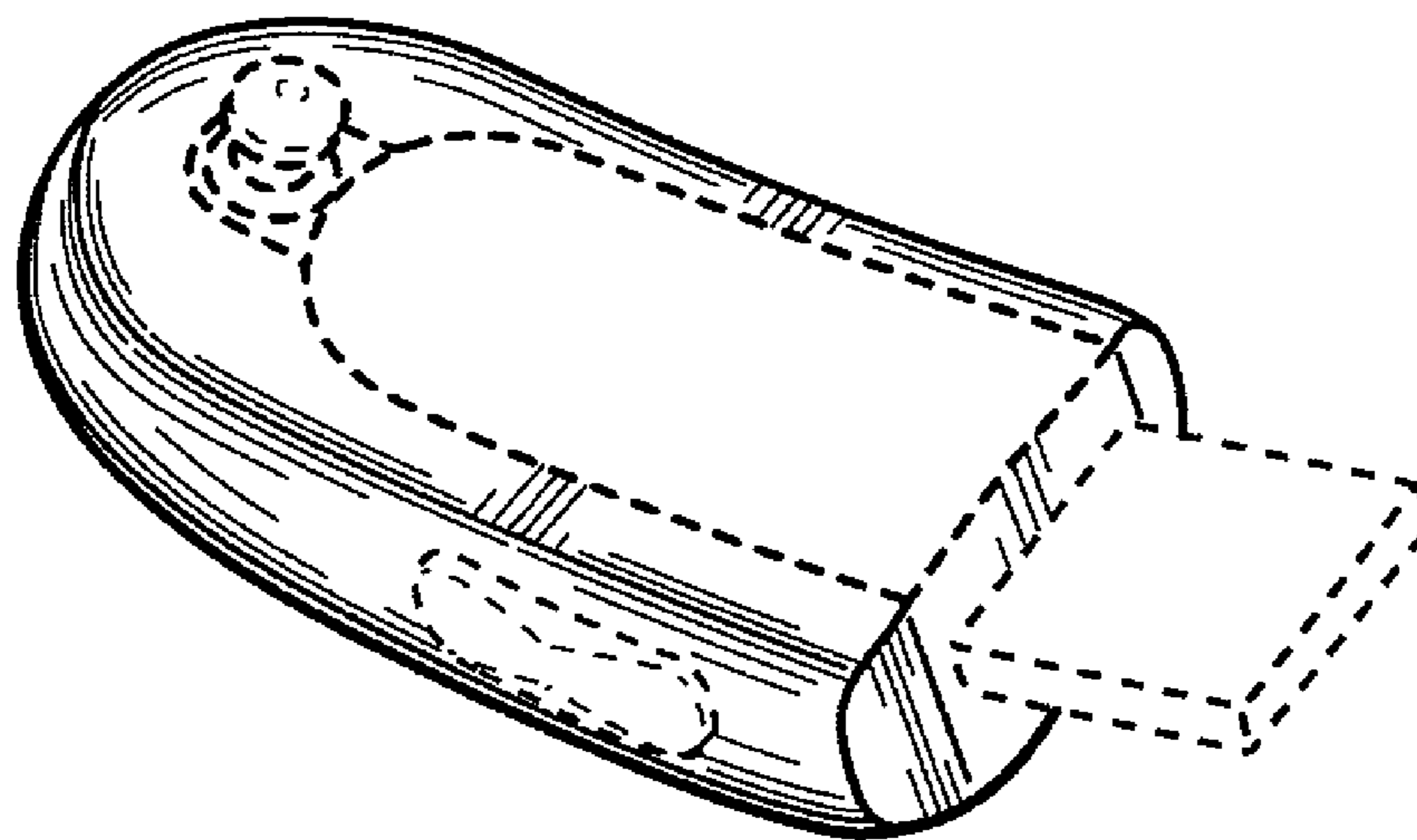


FIG. 2

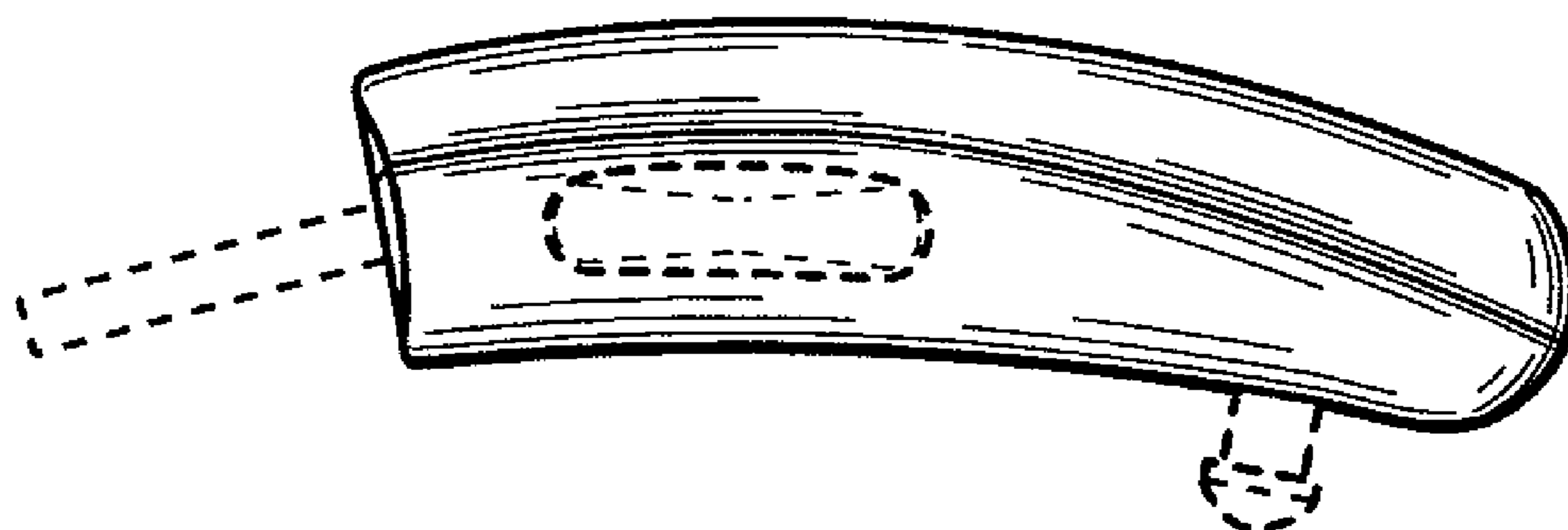


FIG. 3

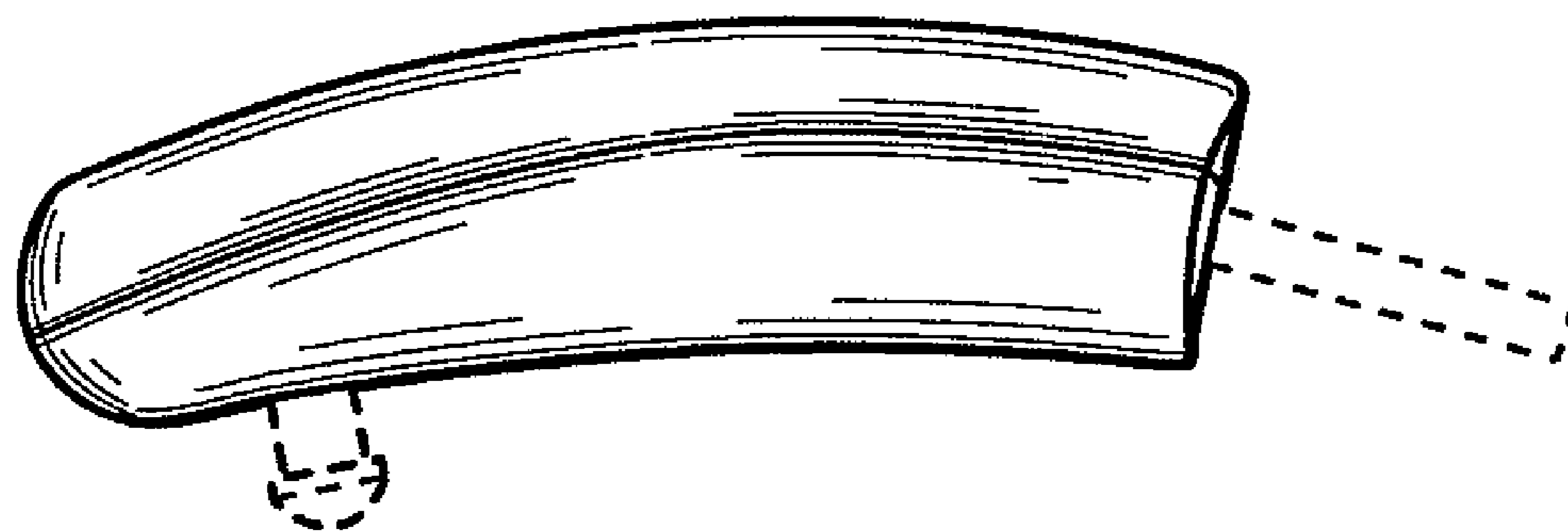


FIG. 4

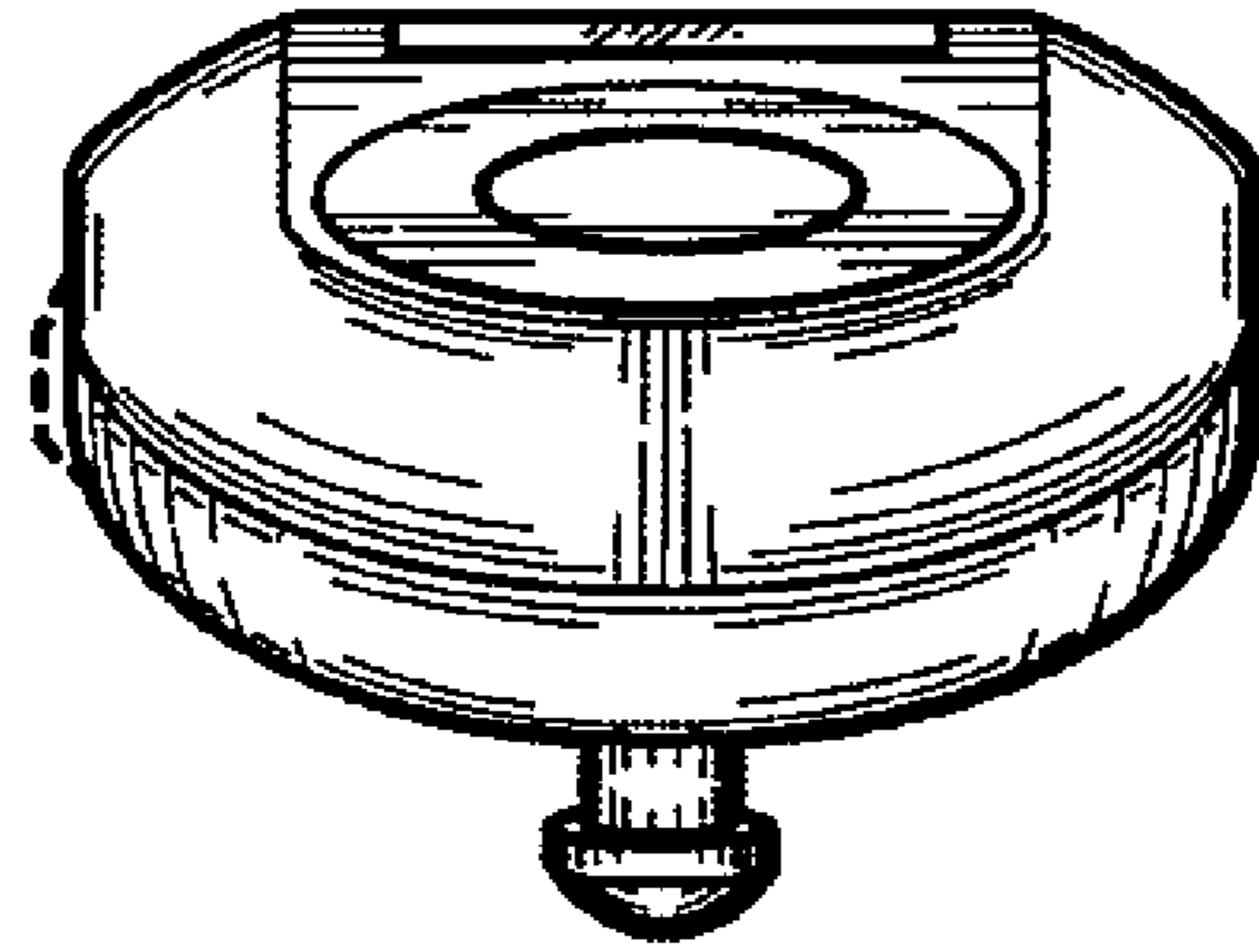


FIG. 5

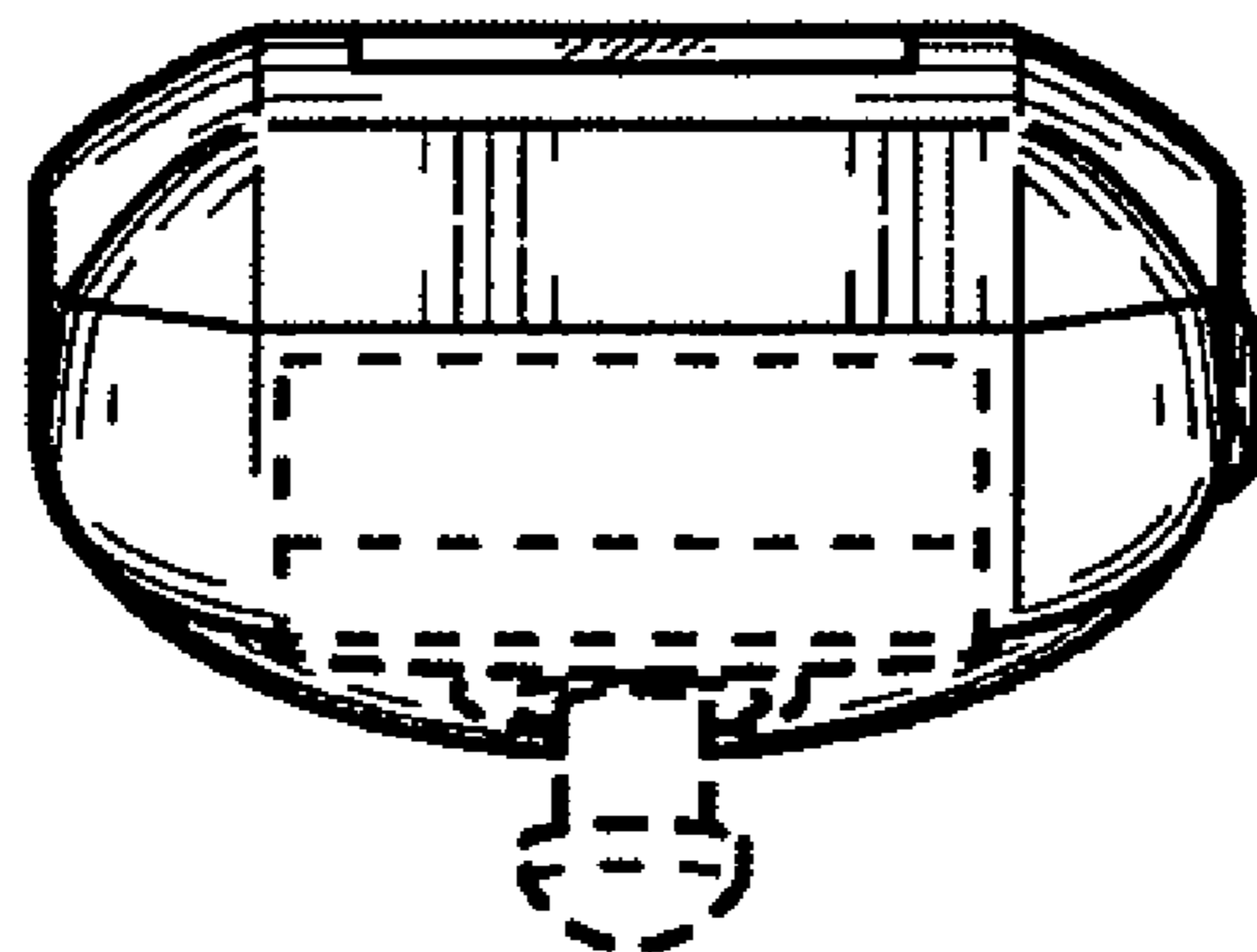


FIG. 6



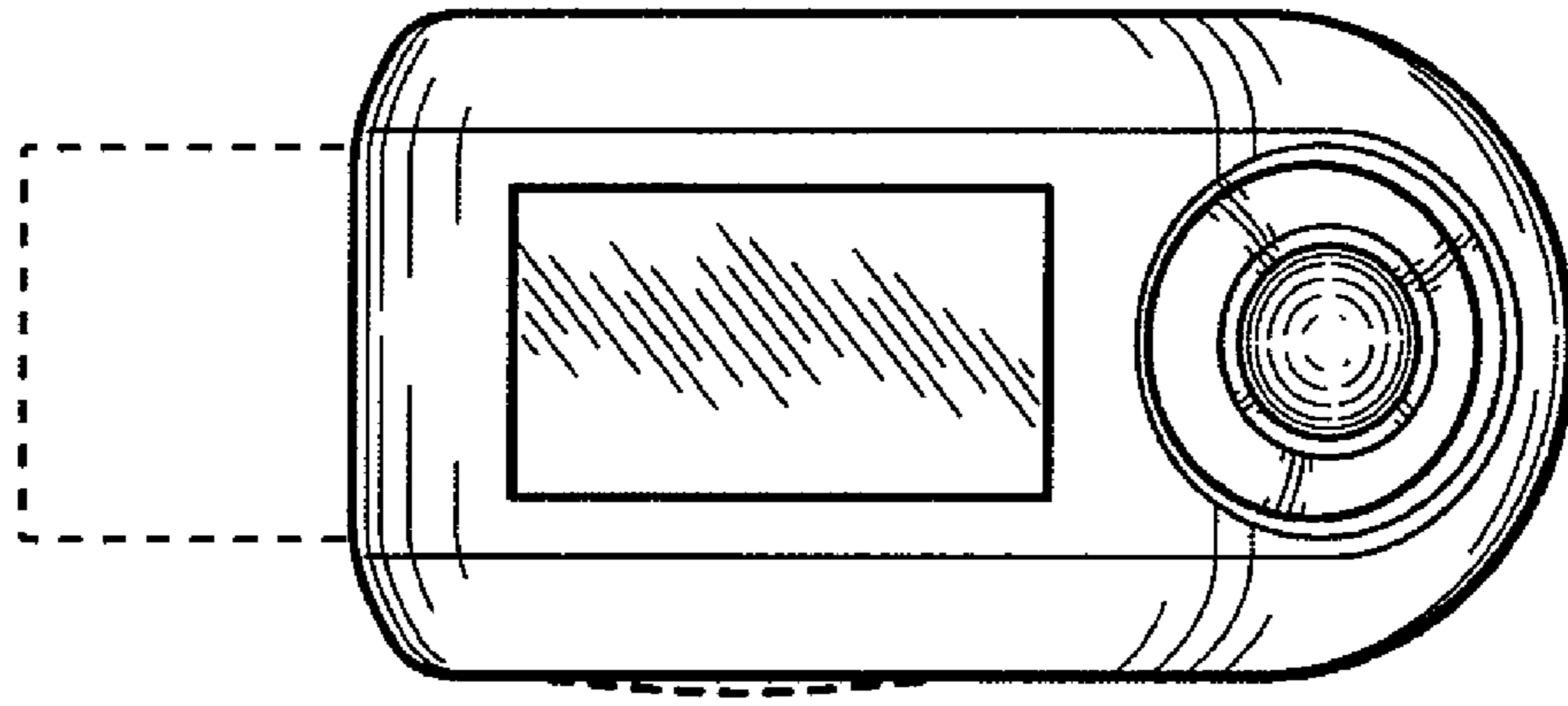


FIG. 7

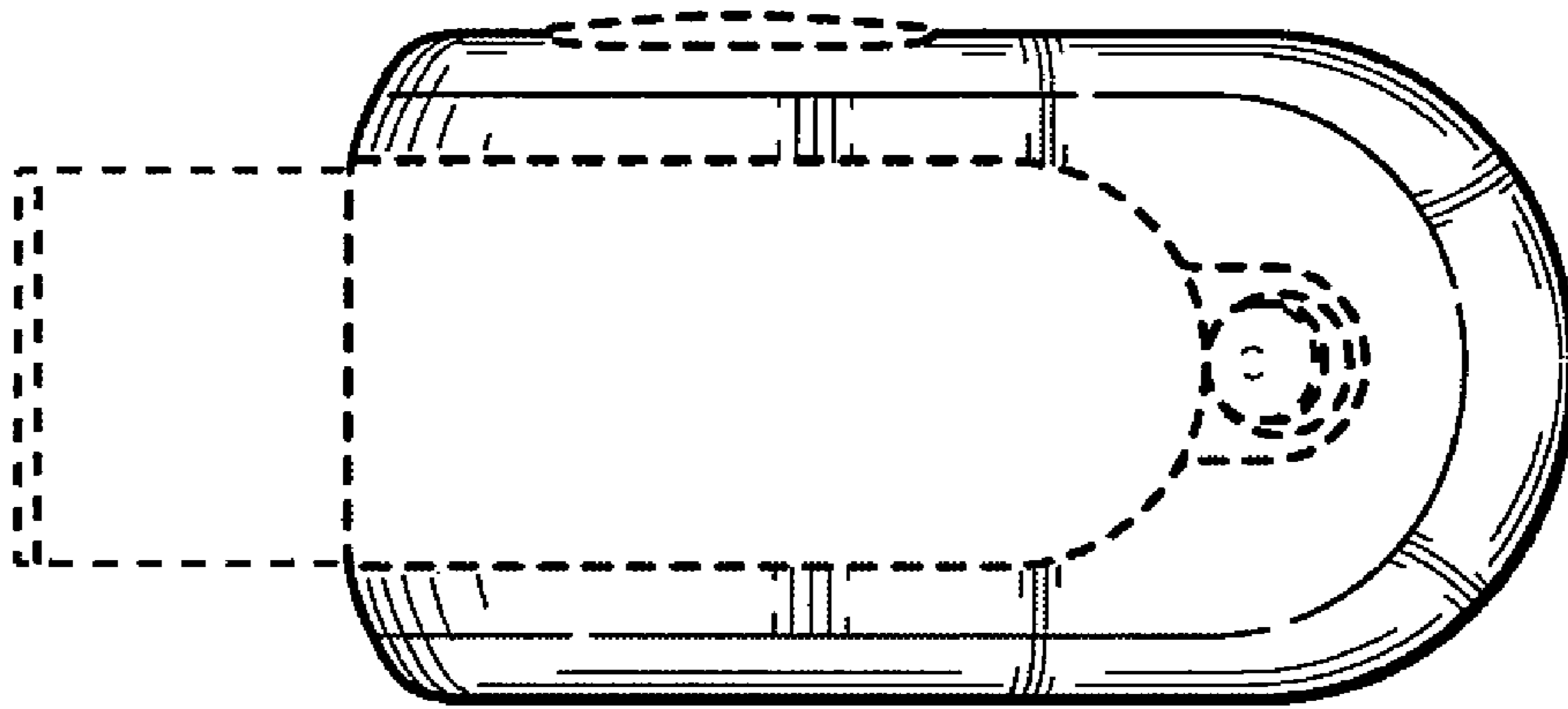


FIG. 8