



US00D564366S

(12) **United States Design Patent**
Yeh et al.

(10) **Patent No.:** **US D564,366 S**
(45) **Date of Patent:** **** Mar. 18, 2008**

(54) **WATCH WITH GPS FUNCTION**

(75) Inventors: **Ming-Lung Yeh**, Chung Ho (TW);
Ming-Jian Su, Chung Ho (TW)

(73) Assignee: **Globalsat Technology Corporation**,
Chung Ho, Taipei Hsien (TW)

(**) Term: **14 Years**

(21) Appl. No.: **29/266,698**

(22) Filed: **Sep. 27, 2006**

(51) **LOC (8) Cl.** **10-02**

(52) **U.S. Cl.** **D10/30**

(58) **Field of Classification Search** D10/30-39,
D10/123-132; D11/3-25; 224/164-168;
368/10, 21, 28-30, 223, 228, 232, 234, 239-242,
368/276-277, 281-283, 285-288, 294-295,
368/308, 319-321; 63/3, 3.1
See application file for complete search history.

(56) **References Cited**

U.S. PATENT DOCUMENTS

- D391,499 S * 3/1998 Houlihan et al. D10/30
- D413,525 S * 9/1999 Pun D10/30
- D462,623 S * 9/2002 Fujihara D10/30
- D536,998 S * 2/2007 Fujihara D10/38
- D540,196 S * 4/2007 Ruchonnet D10/32
- D540,698 S * 4/2007 Tomimatsu et al. D10/38
- D541,179 S * 4/2007 Ahlstrom D10/31
- D541,675 S * 5/2007 Ruchonnet D10/38

- D542,676 S * 5/2007 Cheng D10/38
- D551,101 S * 9/2007 Nataf D10/38
- D551,991 S * 10/2007 Ohki D10/32
- D551,992 S * 10/2007 Howard et al. D10/38
- D551,993 S * 10/2007 Kachi D10/38

* cited by examiner

Primary Examiner—Mimosa De

Assistant Examiner—Ricky Pham

(74) *Attorney, Agent, or Firm*—Bacon & Thomas, PLLC

(57) **CLAIM**

The ornamental design for a watch with GPS function, as shown and described.

DESCRIPTION

FIG. 1 is a perspective view of a watch with GPS function showing our design;

FIG. 2 is a front view thereof;

FIG. 3 is a rear view thereof;

FIG. 4 is a left side view thereof;

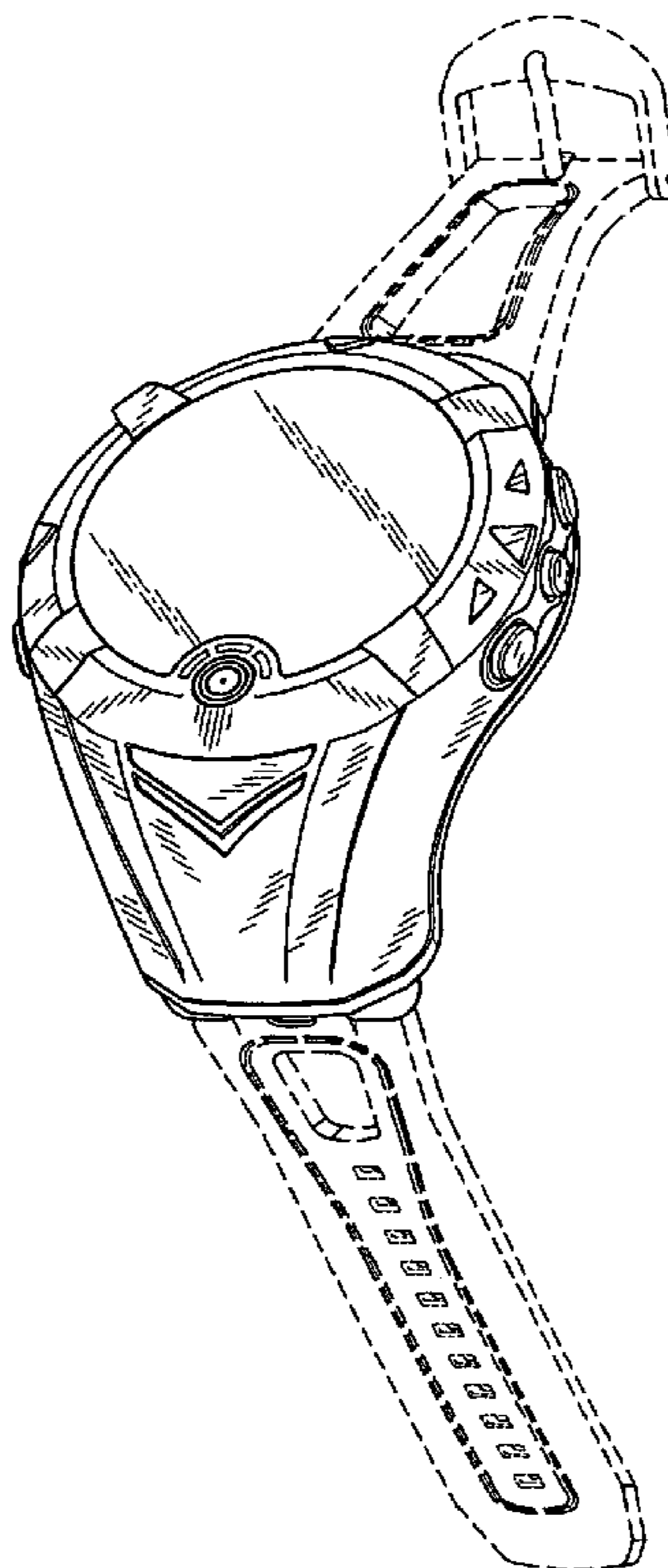
FIG. 5 is a right side view thereof;

FIG. 6 is a top view thereof;

FIG. 7 is a bottom view thereof; and,

FIG. 8 is a perspective view thereof, and the portion of the watch in broken lines are shown for illustrative purposes only and form no part of the claimed design.

1 Claim, 8 Drawing Sheets



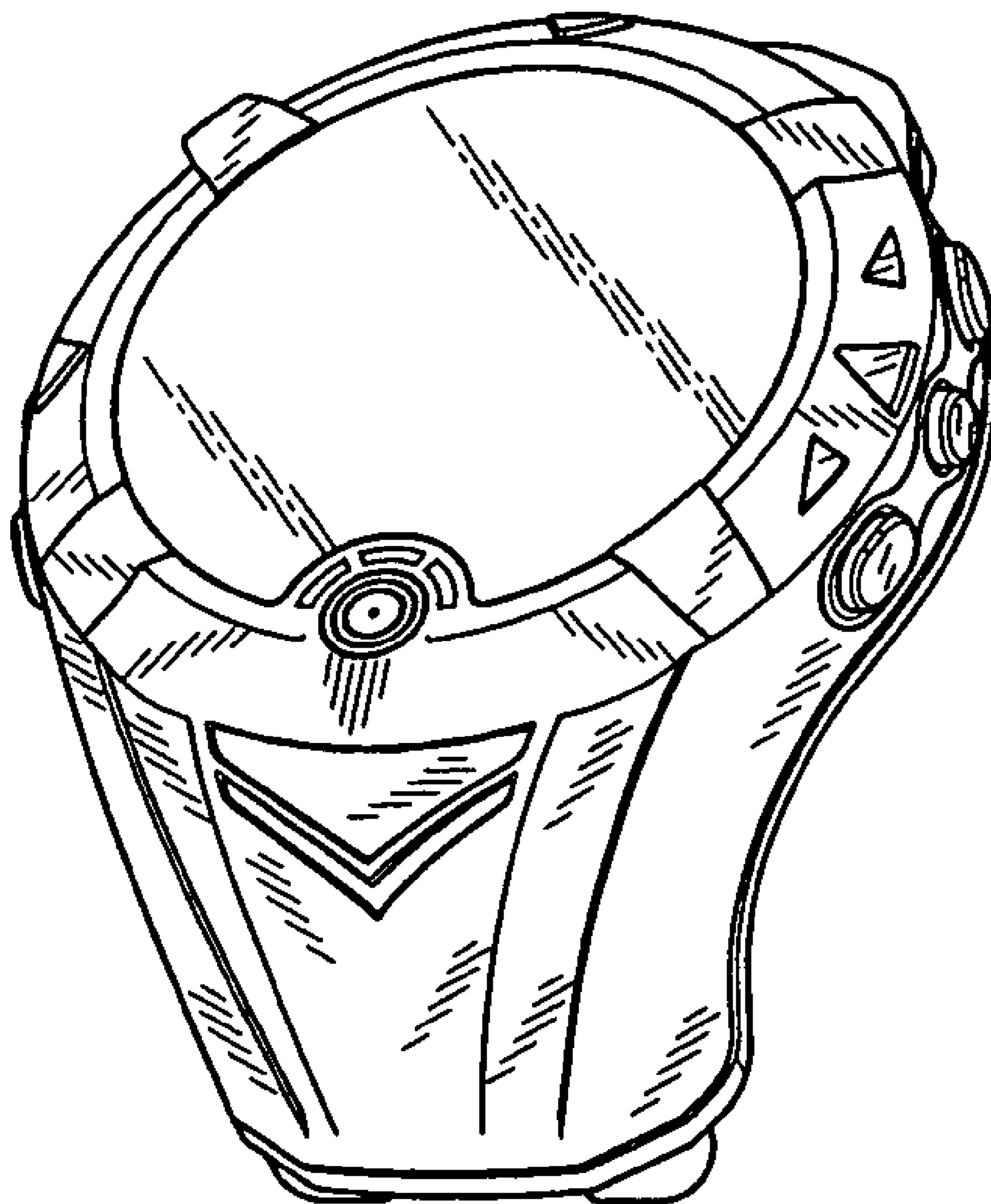


FIG. 1

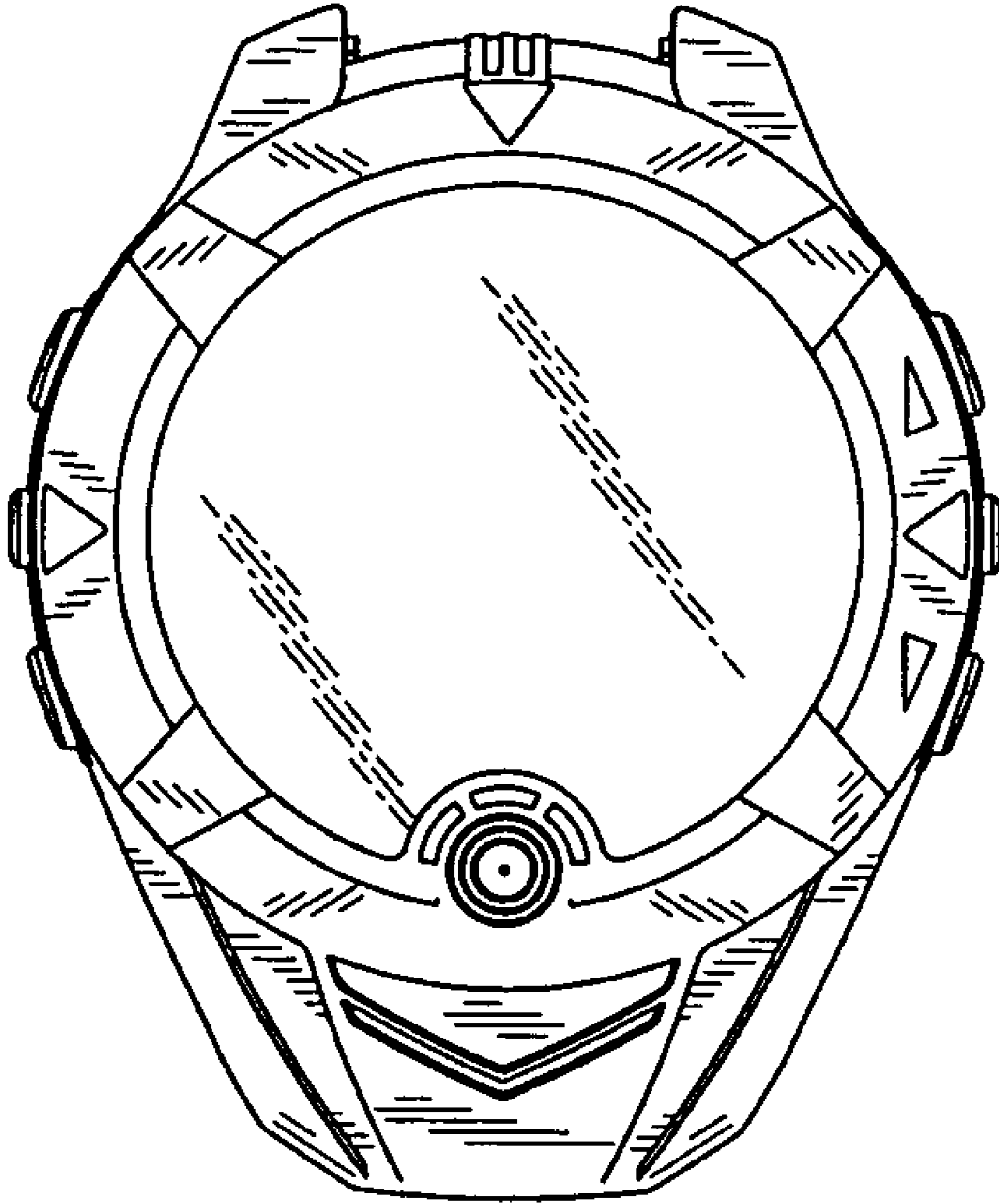


FIG. 2

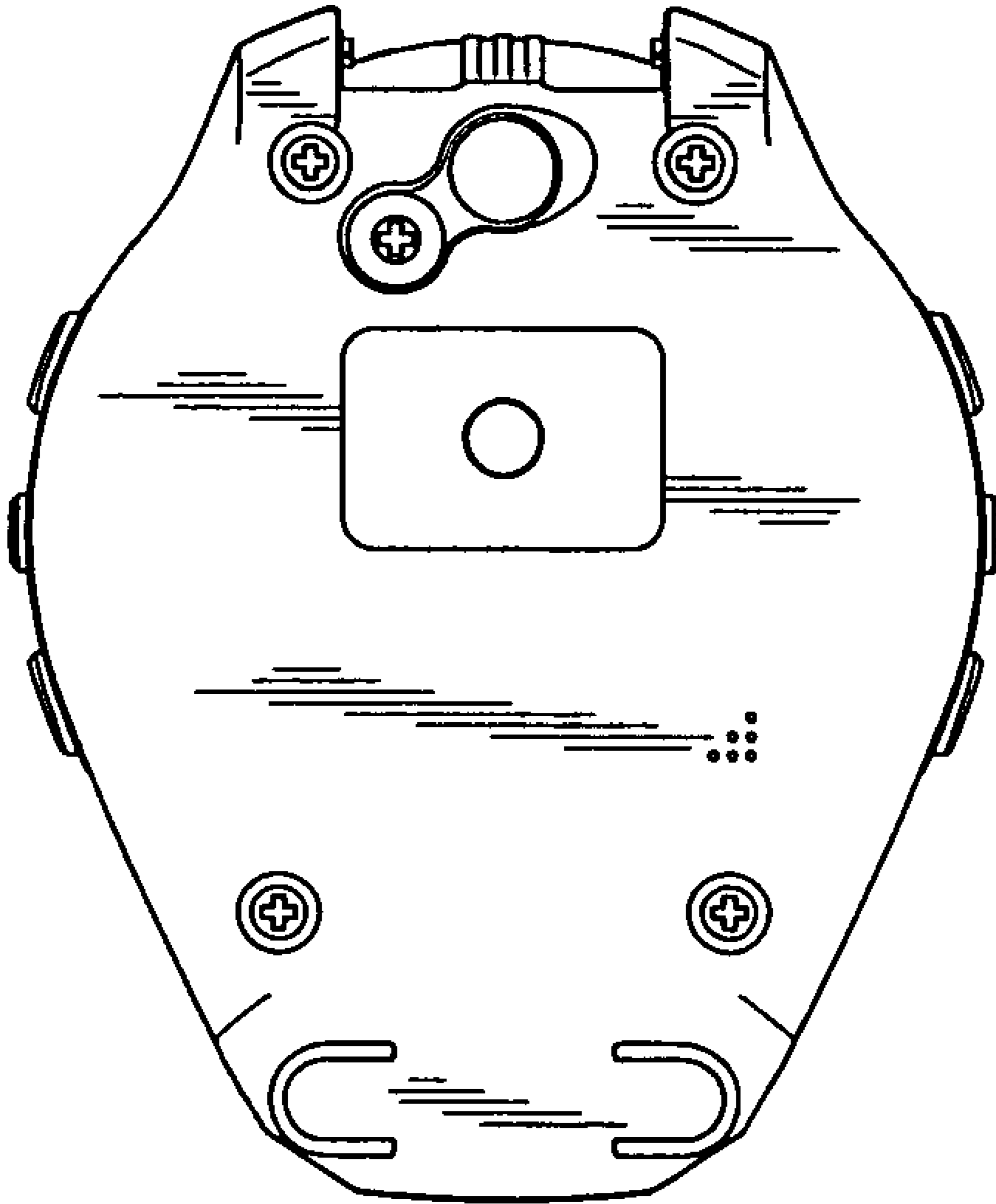


FIG. 3

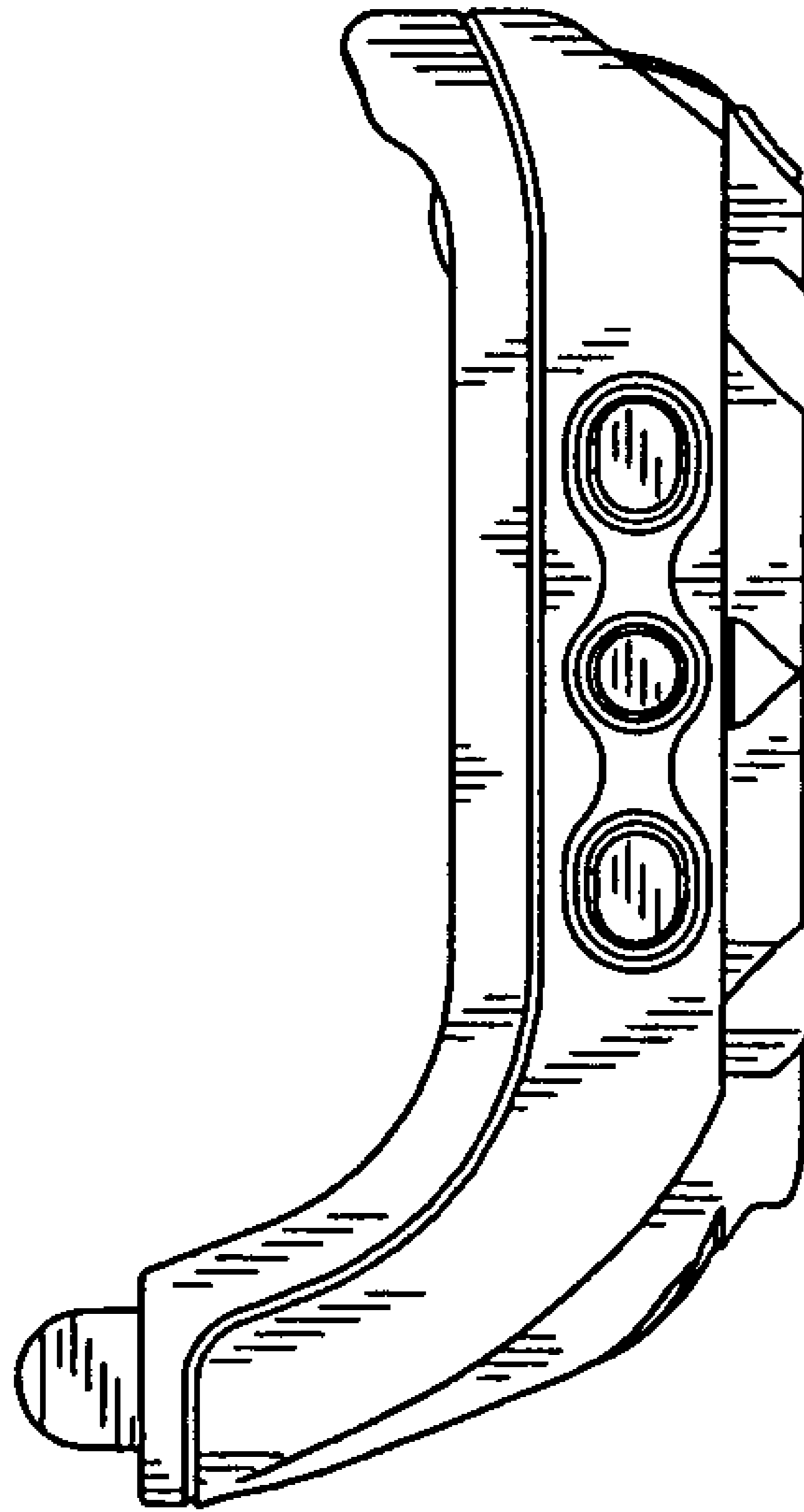


FIG. 4

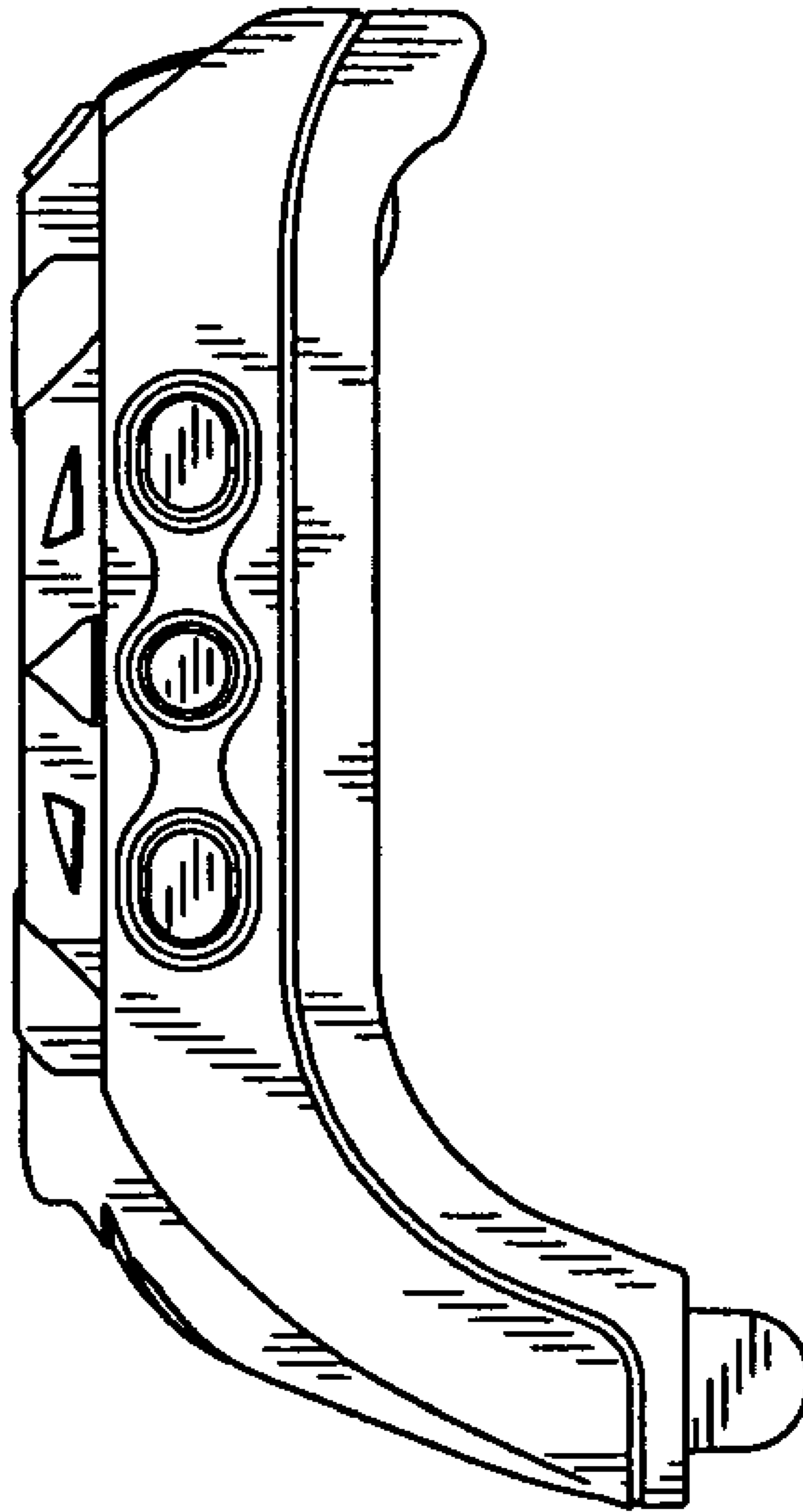


FIG. 5

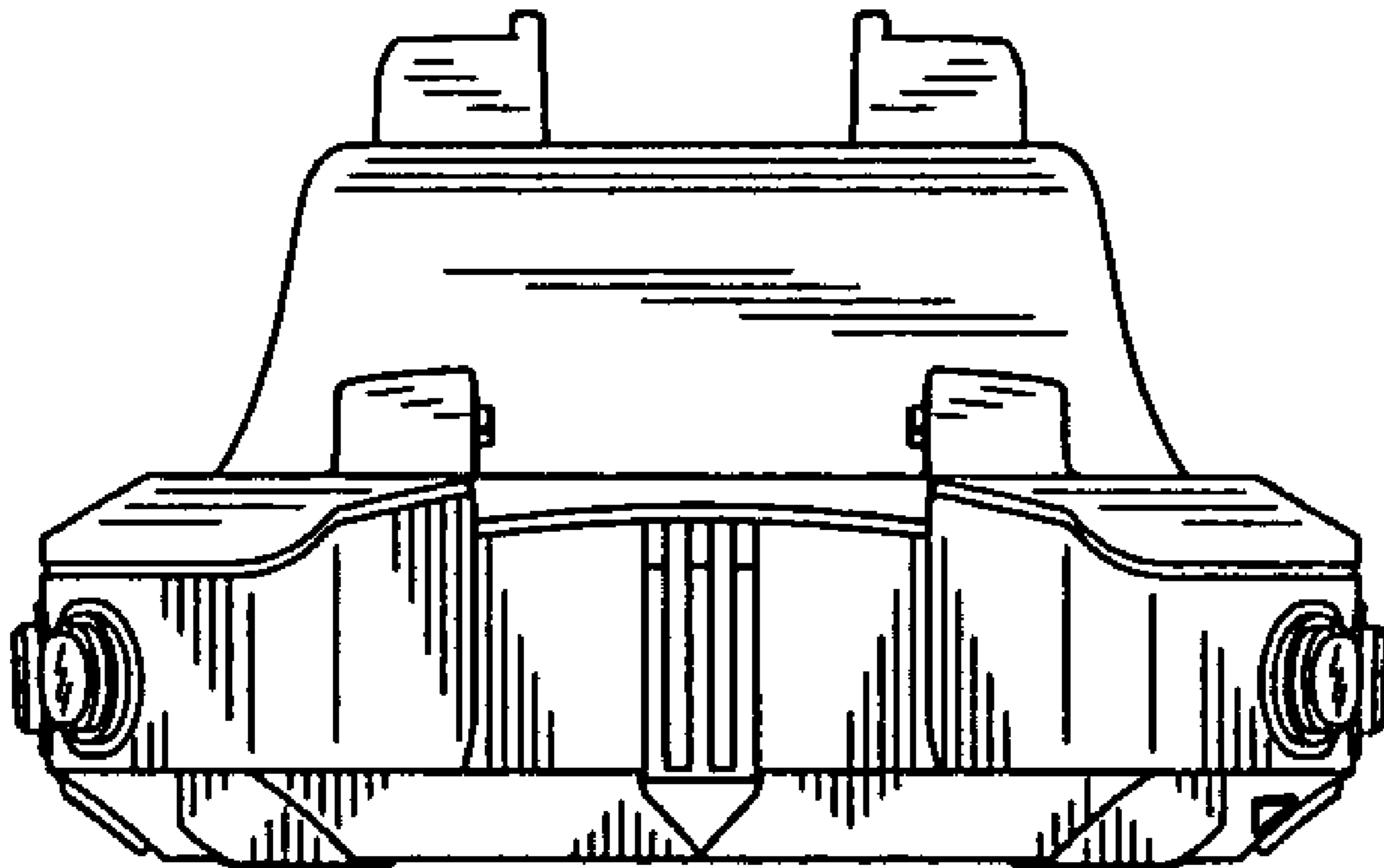


FIG. 6

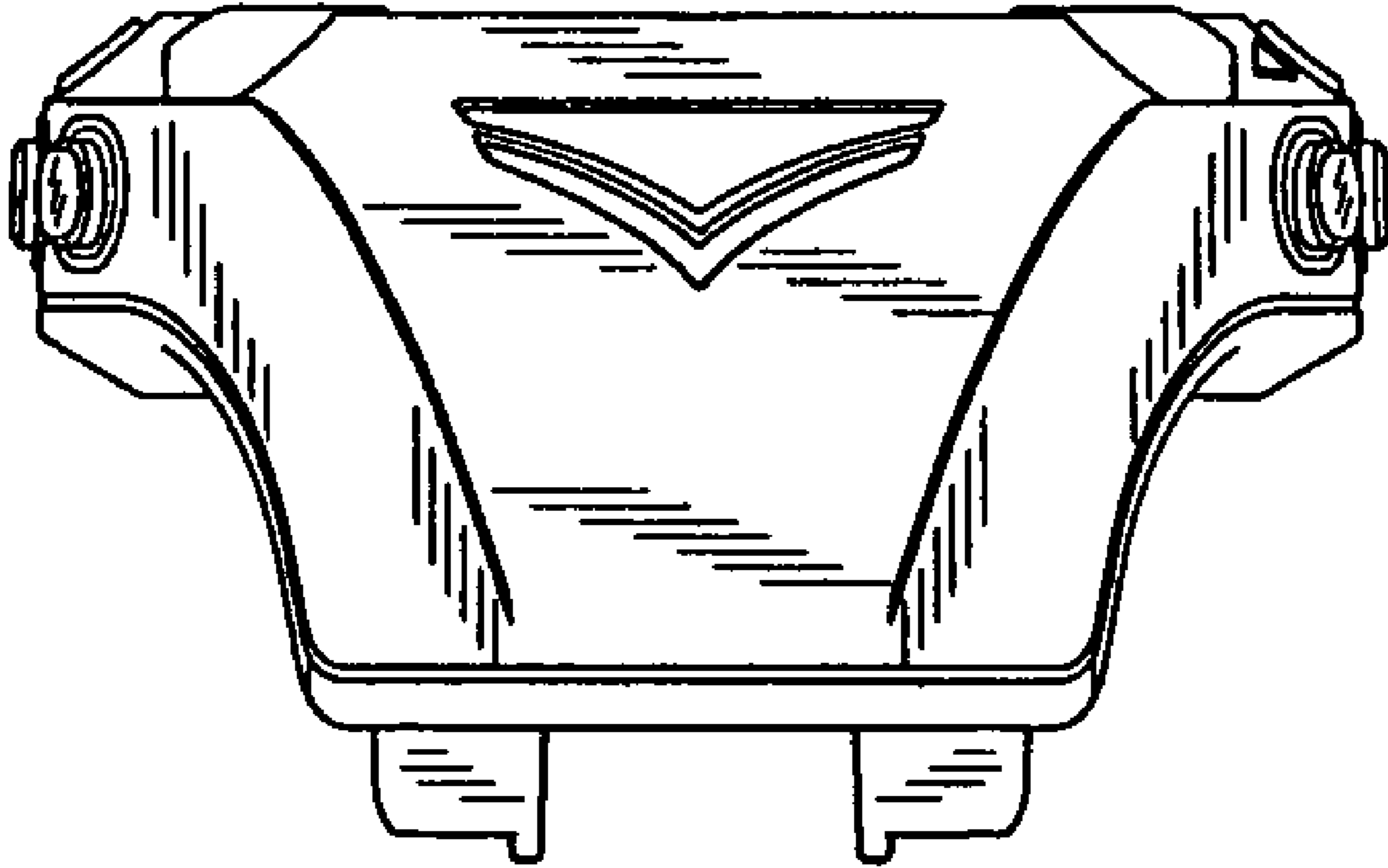


FIG. 7

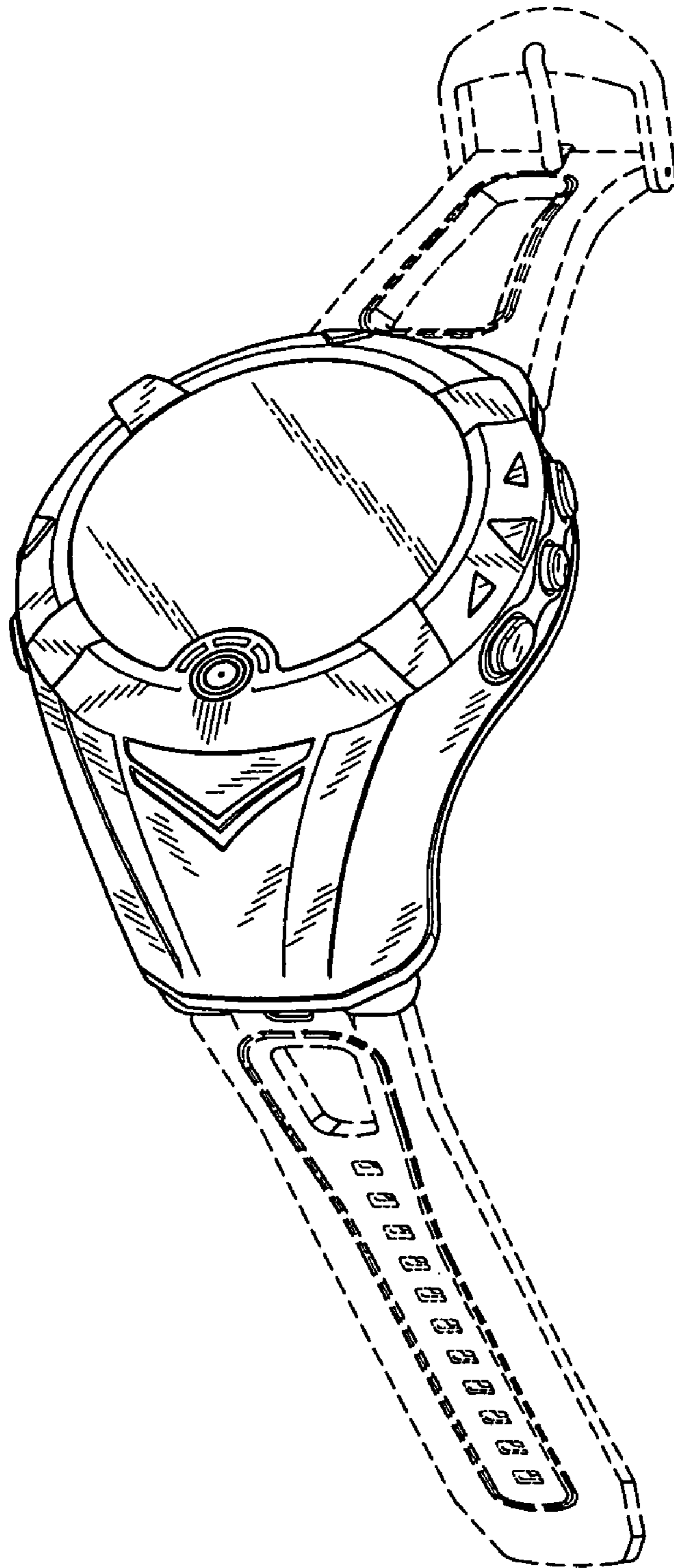


FIG. 8