



US00D564365S

(12) **United States Design Patent**
Chang

(10) **Patent No.:** **US D564,365 S**
(45) **Date of Patent:** **** Mar. 18, 2008**

(54) **WORLD MAP DIGITAL CLOCK**

(76) Inventor: **Eddie Chang**, Unit C, 2/F., Leroy Plaza, 15 Cheung Street, Cheung Sha Wan, Kowloon (HK)

(**) Term: **14 Years**

(21) Appl. No.: **29/241,566**

(22) Filed: **Oct. 28, 2005**

(30) **Foreign Application Priority Data**

Apr. 25, 2005 (HK) 0500925.7M002

(51) **LOC (8) Cl.** **10-01**

(52) **U.S. Cl.** **D10/2**

(58) **Field of Classification Search** D10/1-27, D10/123, 143; D14/130; 368/179-183, 368/10, 228, 232, 239-242, 276, 316, 317
See application file for complete search history.

(56) **References Cited**

U.S. PATENT DOCUMENTS

- D322,405 S * 12/1991 Ozawa D10/2
- D381,583 S * 7/1997 Schugart et al. D10/2
- D394,609 S * 5/1998 Kaddoura D10/10
- 6,275,449 B1 * 8/2001 Wang 368/21
- D475,985 S * 6/2003 Huang et al. D14/130

D489,995 S * 5/2004 Wu D10/15

* cited by examiner

Primary Examiner—Caron D. Veynar

Assistant Examiner—George D. Kirschbaum, Jr.

(74) *Attorney, Agent, or Firm*—Robert M. Downey, PA

(57) **CLAIM**

The ornamental design for a world map digital clock, as shown and described.

DESCRIPTION

FIG. 1 is a top, front perspective view of a world map digital clock showing my new design;

FIG. 2 is a rear, side perspective view thereof;

FIG. 3 is a front, top perspective view with a back panel world map display separated from a base of the world map digital clock;

FIG. 4 is a left side elevational view thereof;

FIG. 5 is a top plan view thereof;

FIG. 6 is a front elevational view thereof;

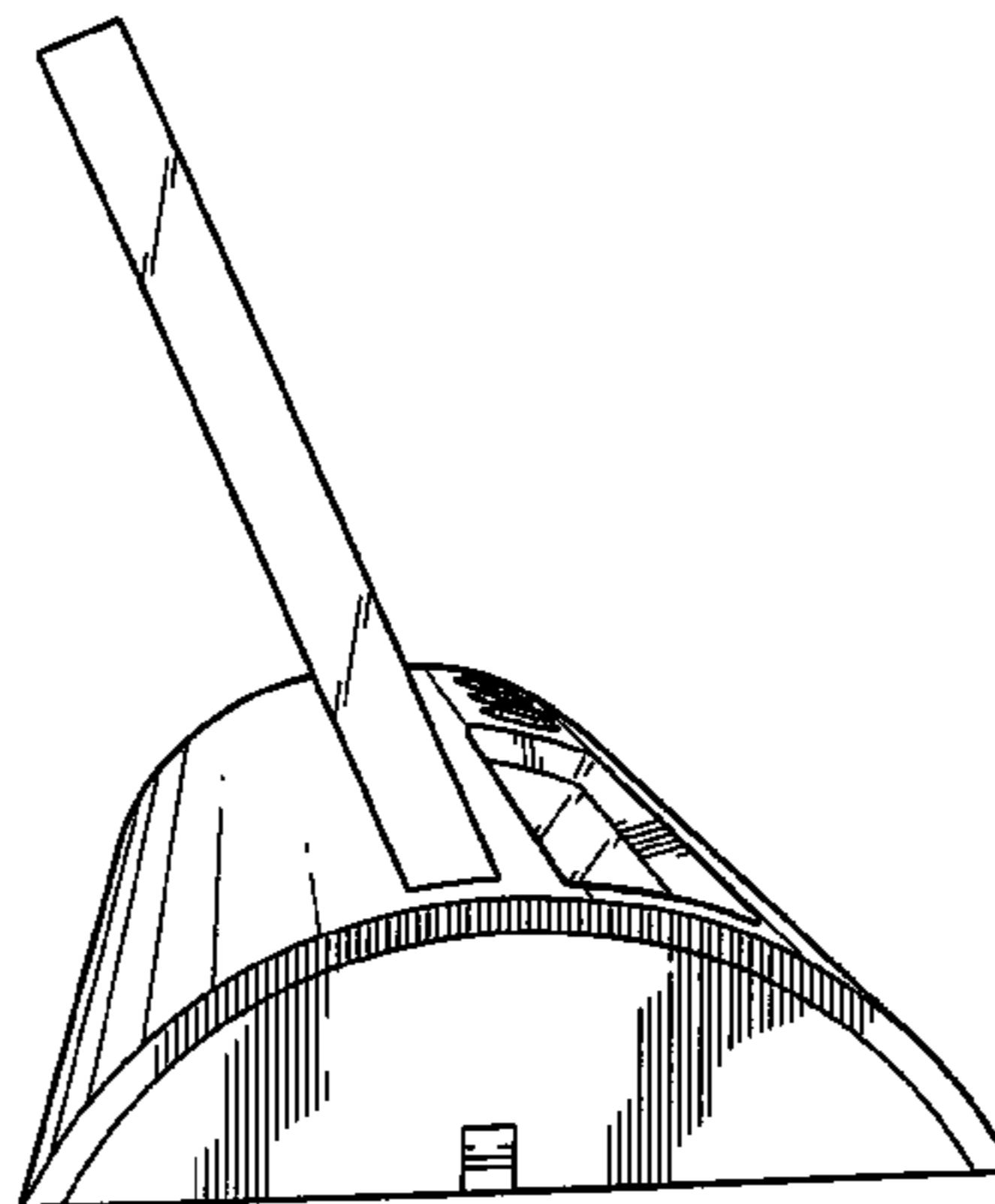
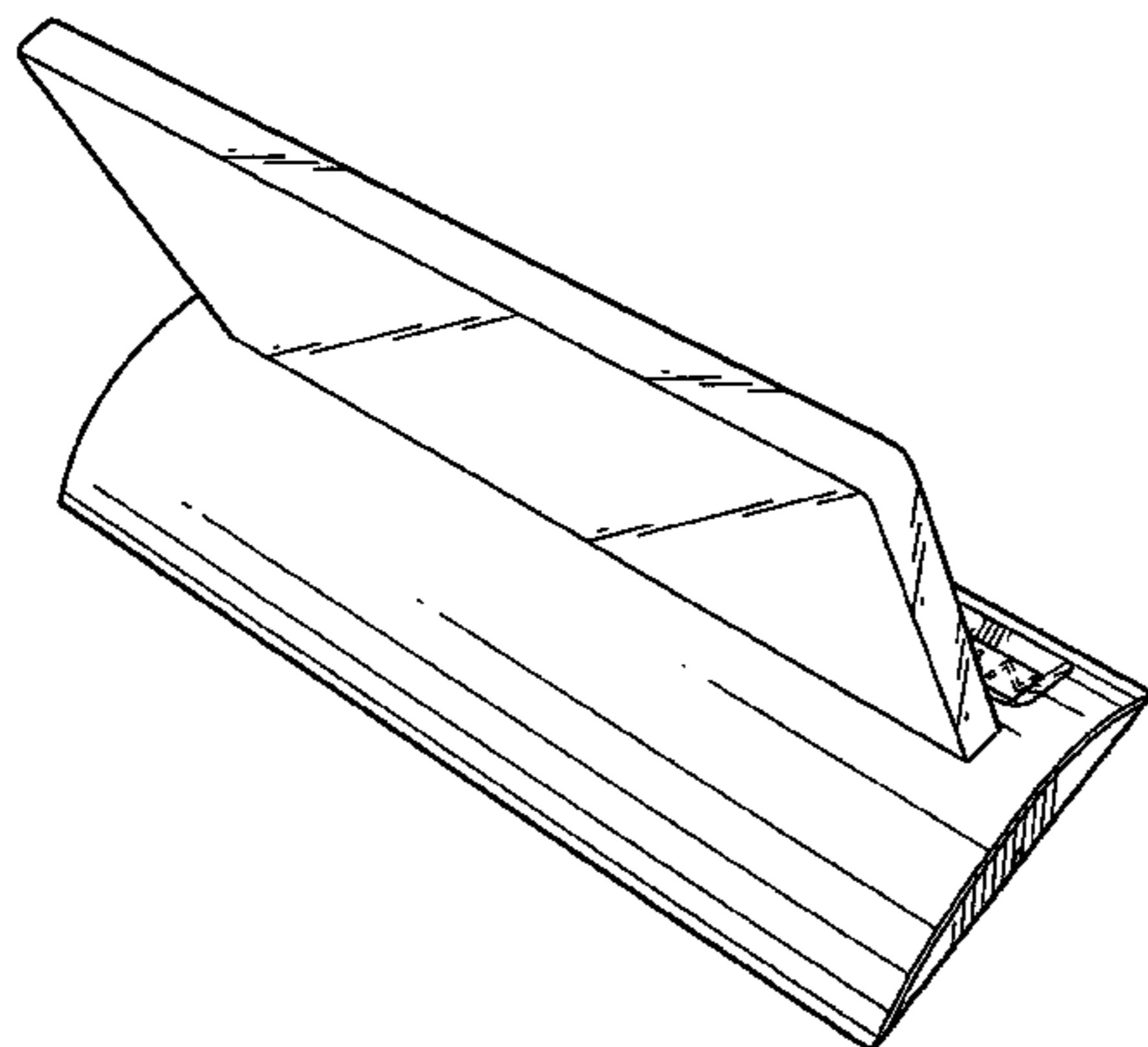
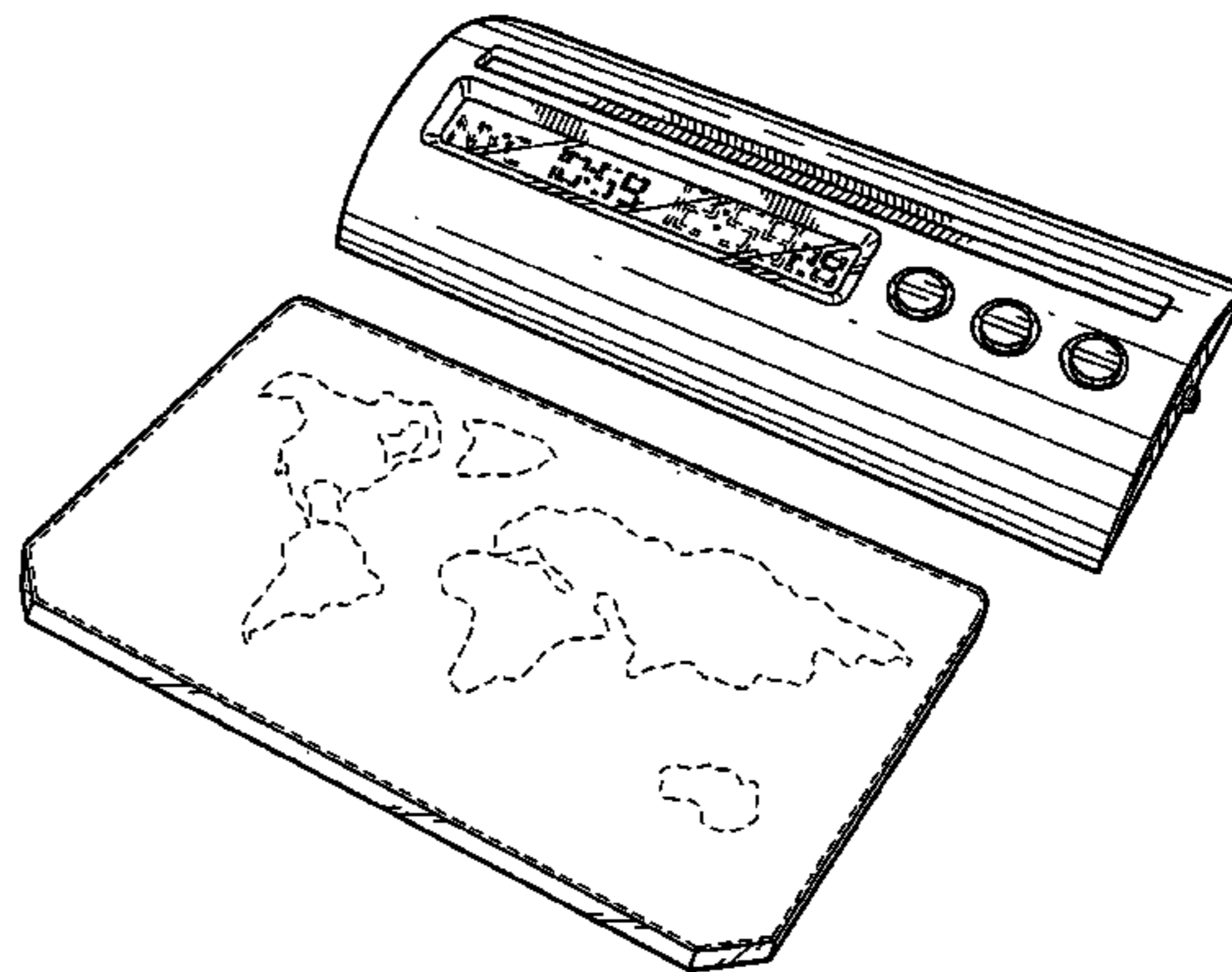
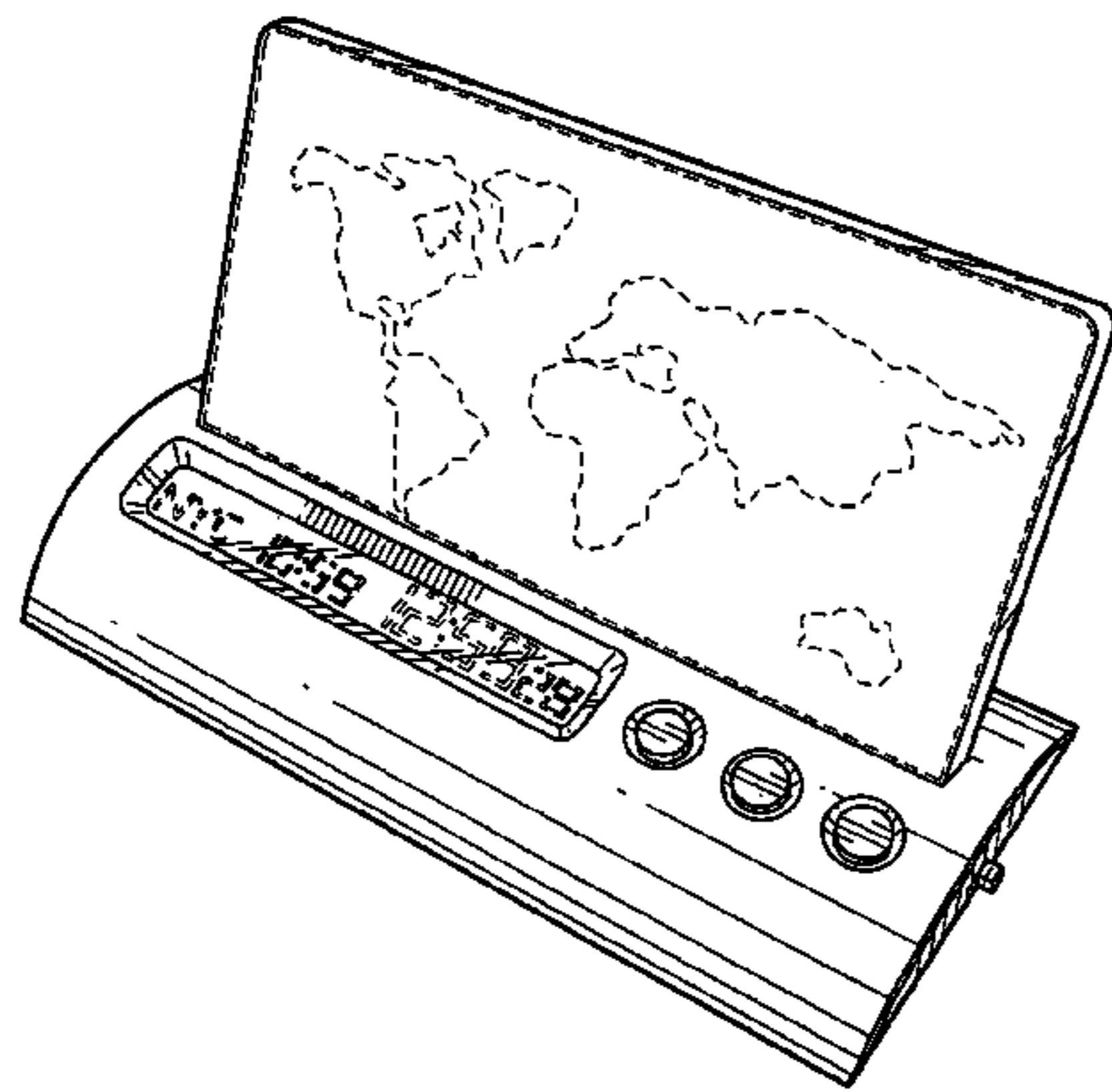
FIG. 7 is a right side elevational view thereof;

FIG. 8 is a rear elevational view thereof; and,

FIG. 9 is a bottom plan view thereof.

The broken lines in the drawings represent unclaimed environmental subject matter.

1 Claim, 9 Drawing Sheets



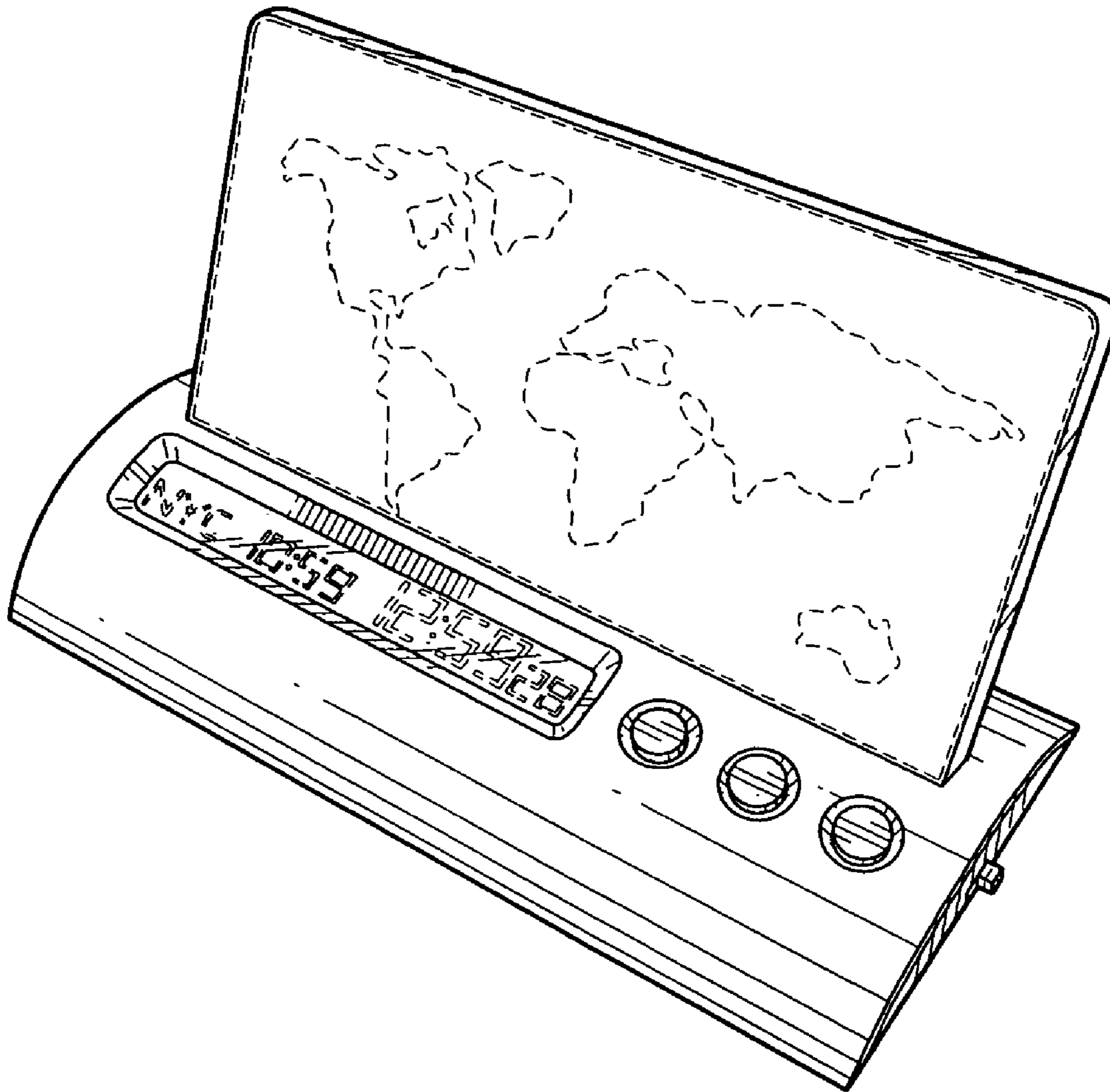


FIG. 1

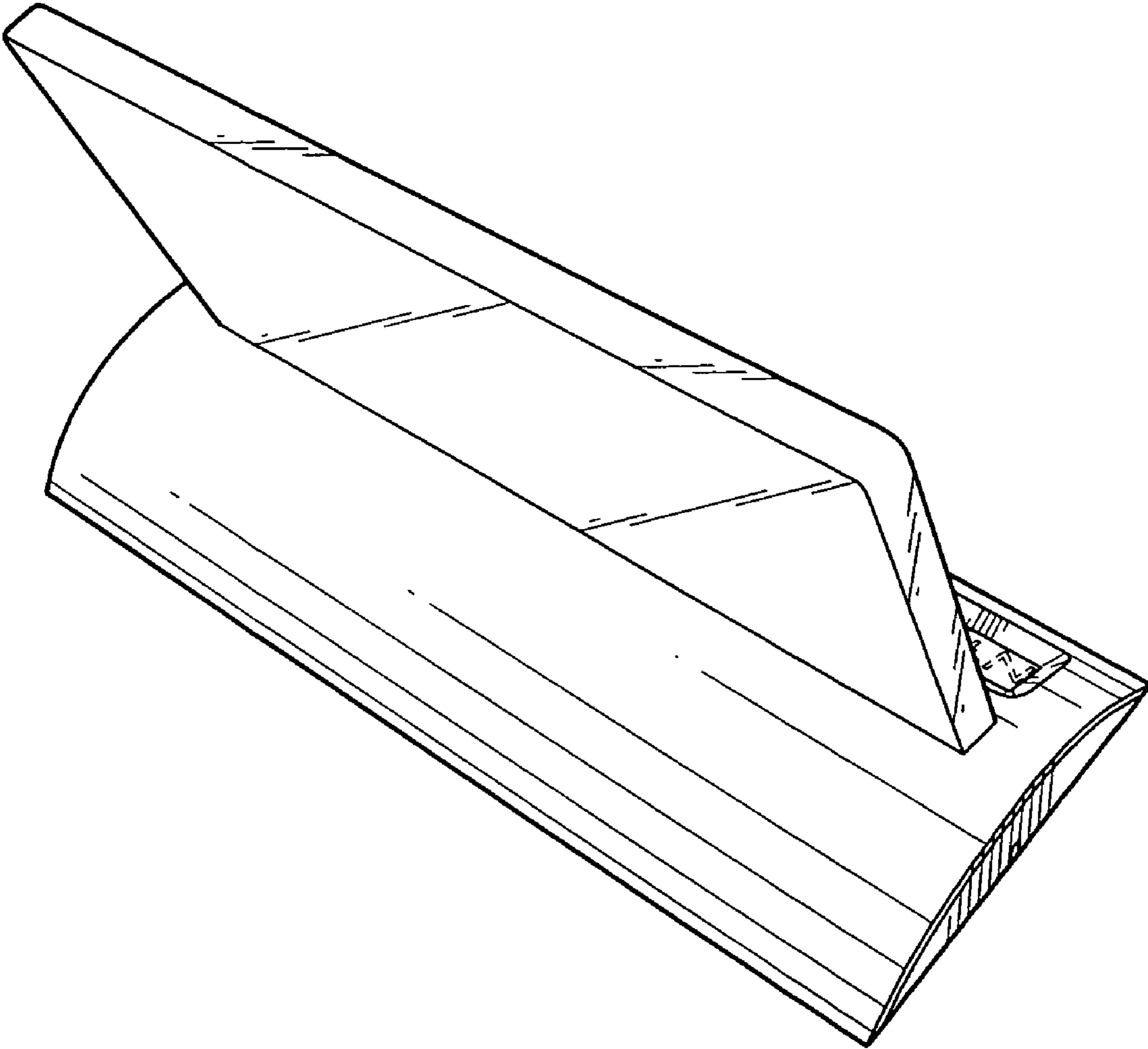


FIG. 2

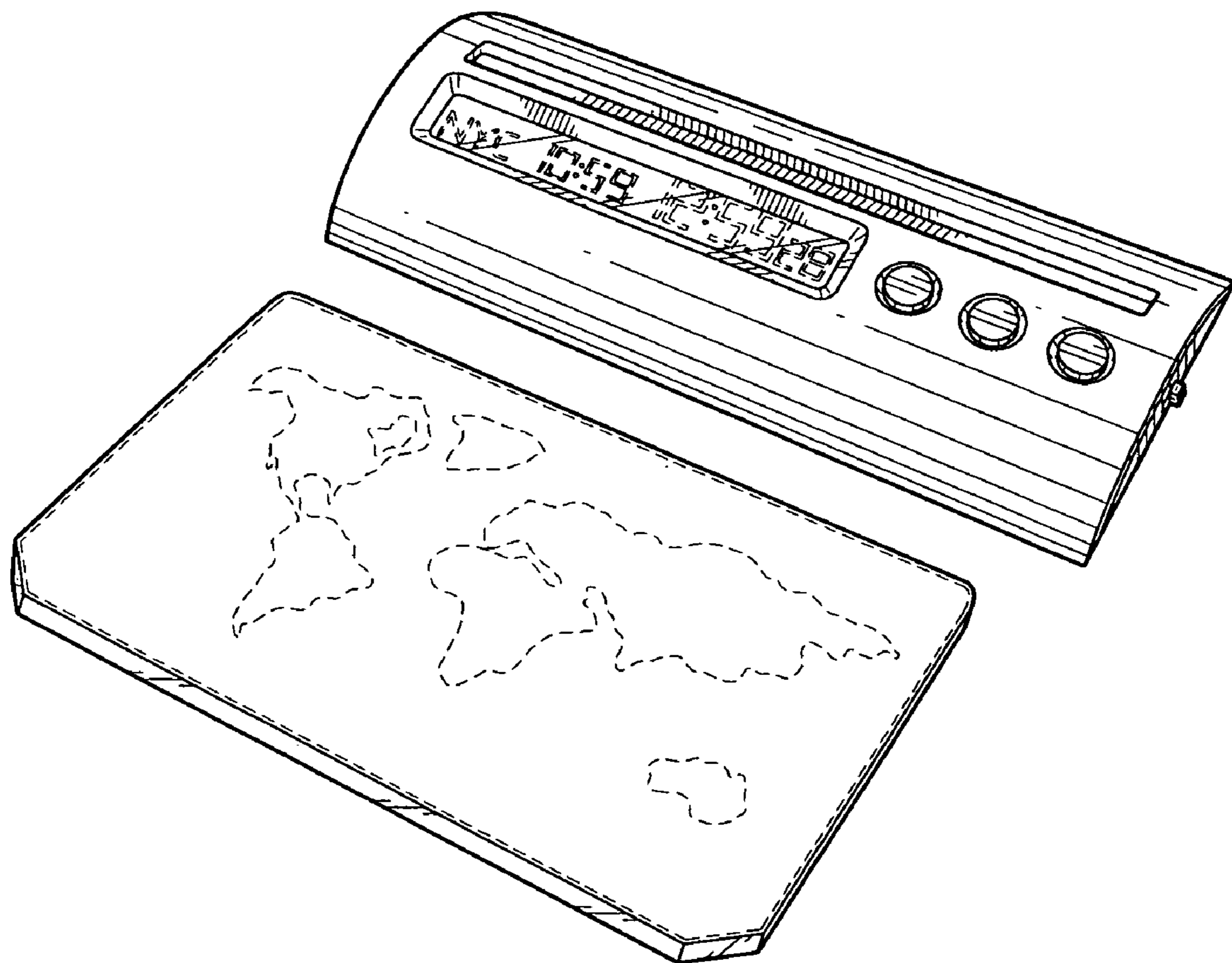


FIG. 3

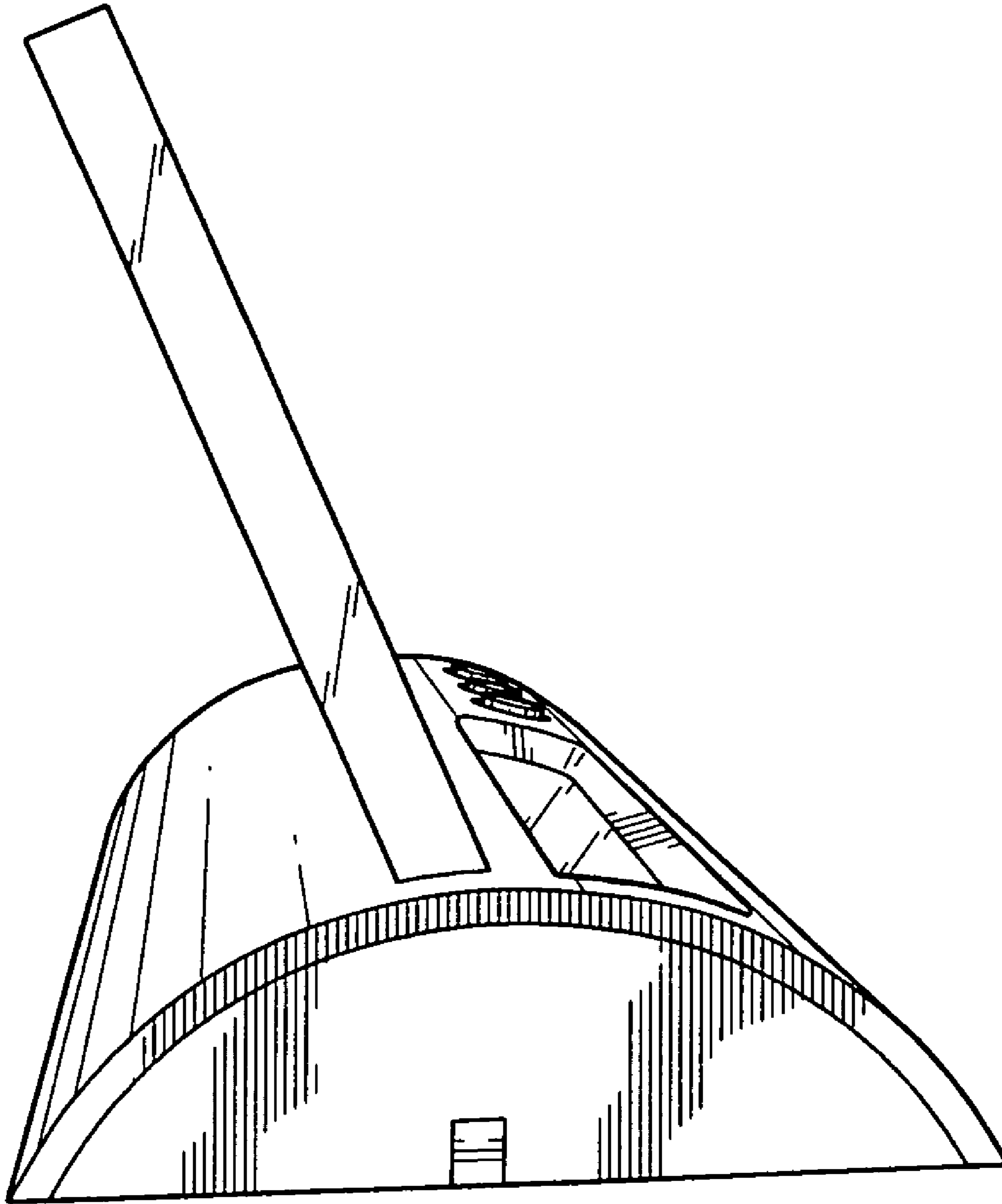


FIG.4

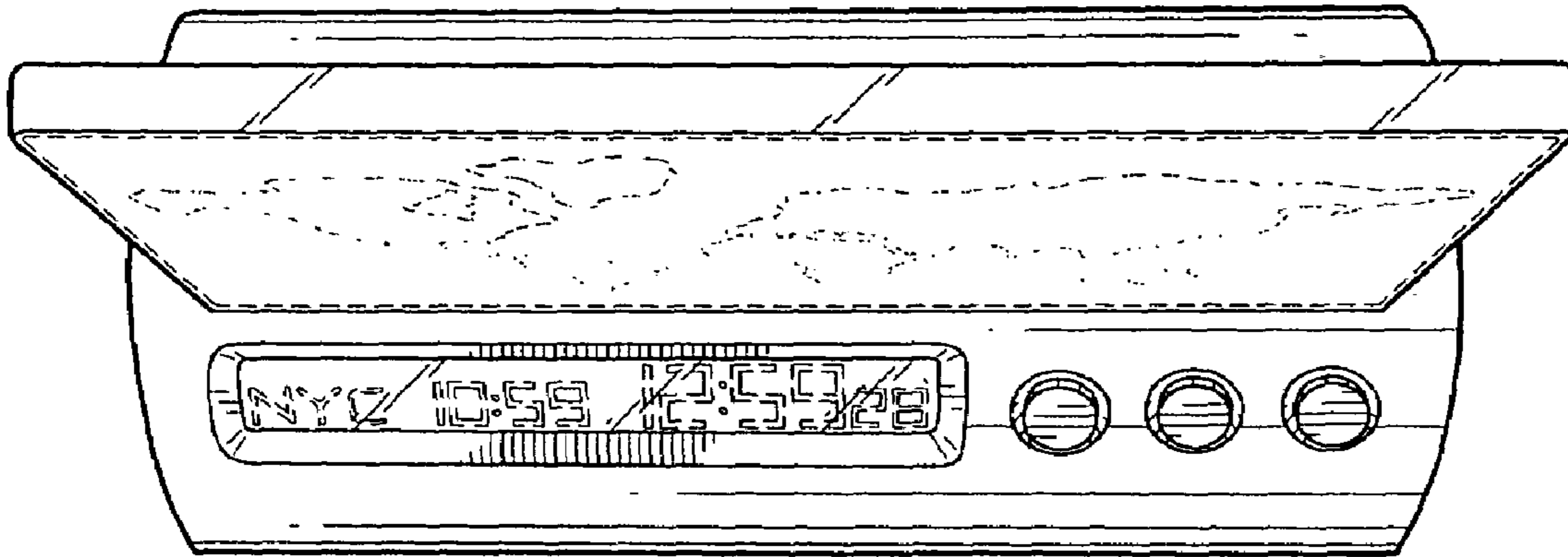


FIG.5

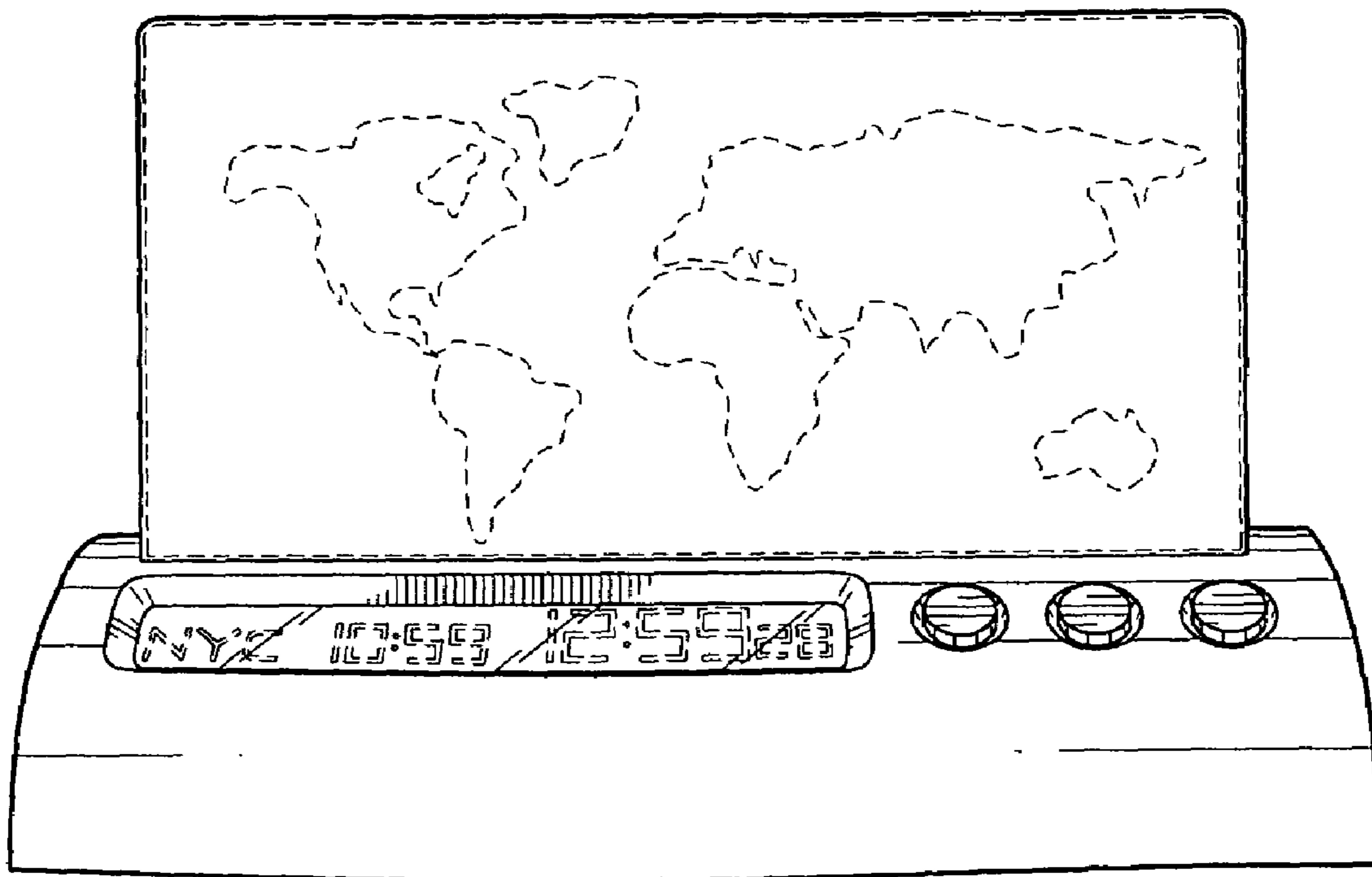


FIG. 6

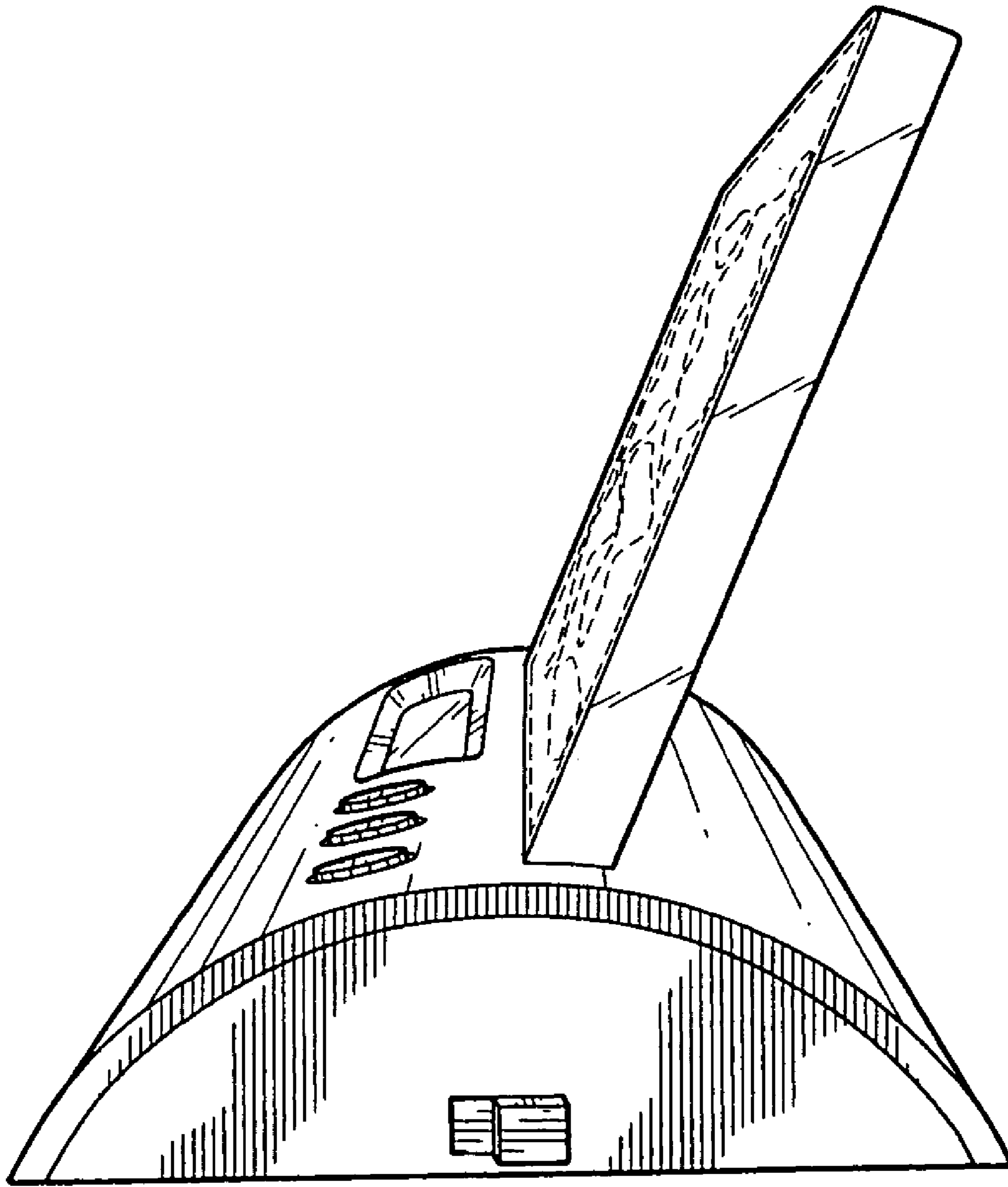


FIG. 7

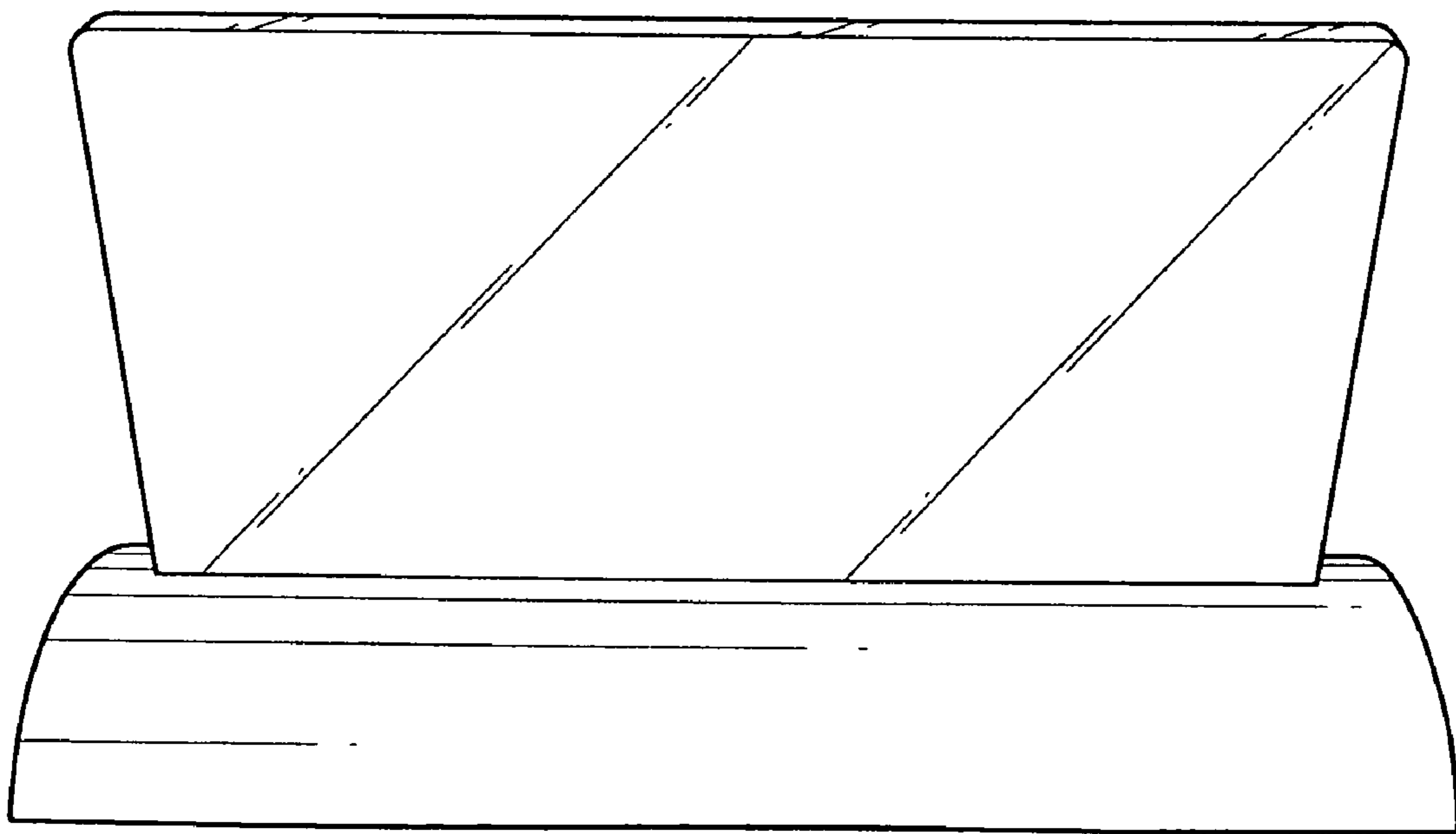


FIG.8

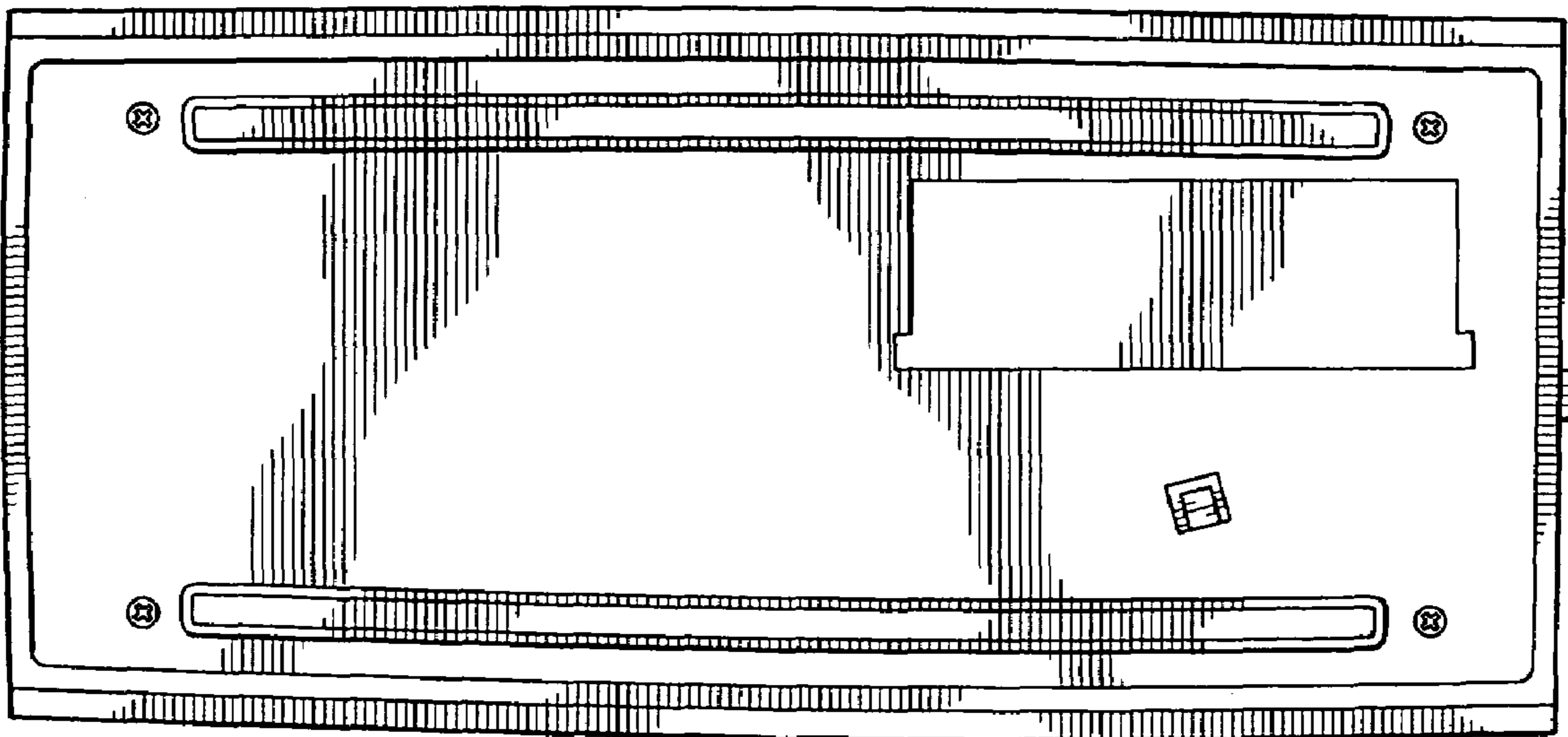


FIG. 9