



US00D564355S

(12) **United States Design Patent**
Berman

(10) **Patent No.:** **US D564,355 S**

(45) **Date of Patent:** **** Mar. 18, 2008**

(54) **UNIVERSAL FLEXIBLE POUCH SPOUT**

Primary Examiner—Gary D. Watson
Assistant Examiner—Susan Bennett Hattan

(76) **Inventor:** **Ronald H. Berman**, 203 Argonne Ave.,
Long Beach, CA (US) 90803

(74) *Attorney, Agent, or Firm*—Fulwider Patton LLP

(**) **Term:** **14 Years**

(57) **CLAIM**

(21) **Appl. No.:** **29/263,237**

The ornamental design for a universal flexible pouch spout,
as shown and described.

(22) **Filed:** **Jul. 19, 2006**

(51) **LOC (8) Cl.** **09-07**

(52) **U.S. Cl.** **D9/453**

(58) **Field of Classification Search** D9/708,
D9/503, 455, 453, 445, 439; D23/252, 250;
222/92, 567, 212; 215/223, 211, 208, 201,
215/200

See application file for complete search history.

DESCRIPTION

FIG. 1 is a perspective view of my new design;

FIG. 2 is a first side view thereof;

FIG. 3 is a second side view thereof;

FIG. 4 is a third side view thereof;

FIG. 5 is a fourth side view thereof;

FIG. 6 is a bottom view; and,

FIG. 7 is a top view thereof.

The broken lines in the drawings depict environmental
subject matter only and form no part of the claimed design.

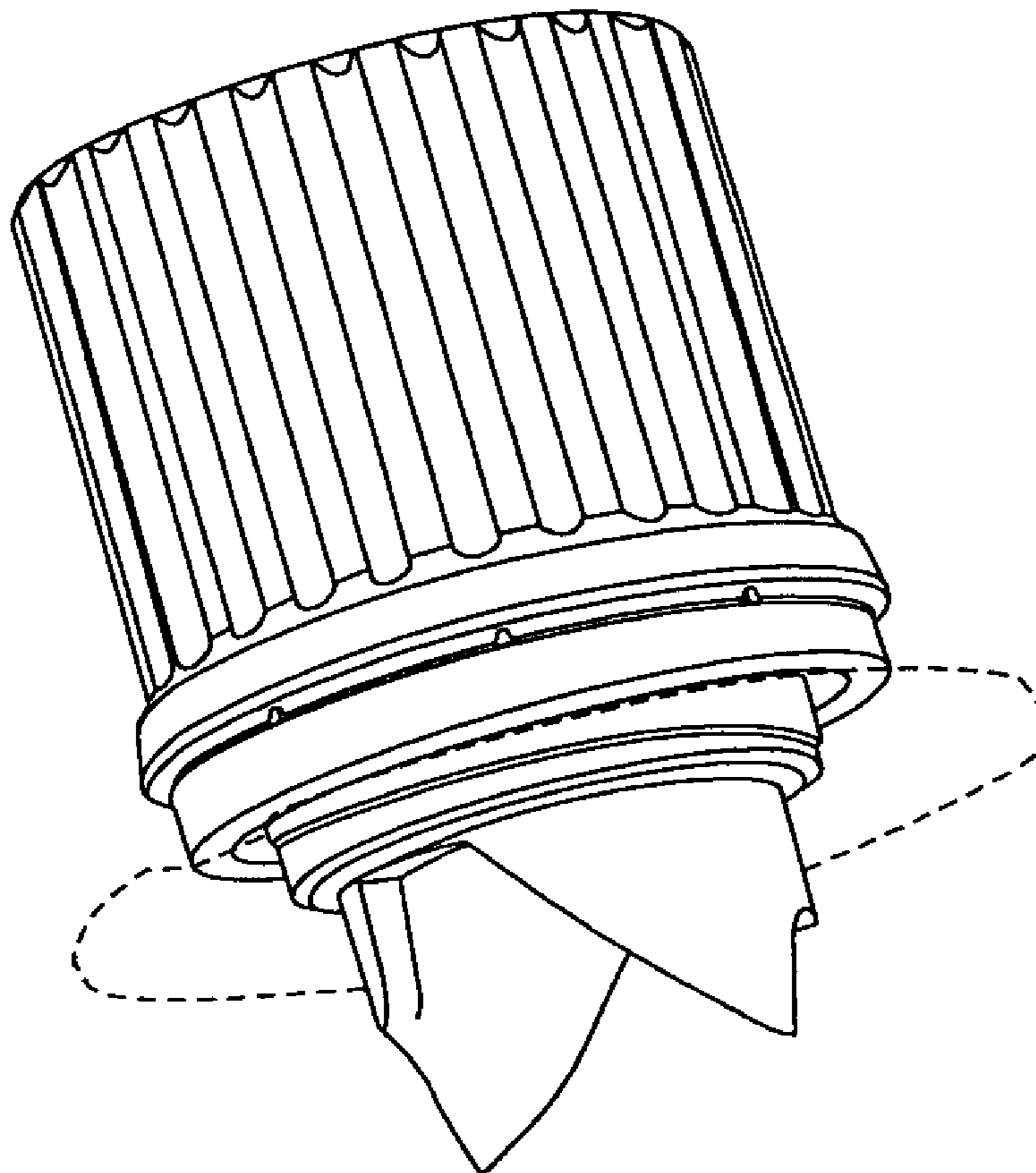
(56) **References Cited**

U.S. PATENT DOCUMENTS

D217,955 S *	7/1970	Howard	D9/453
D292,492 S *	10/1987	Ross et al.	D9/453
D427,070 S *	6/2000	Brozell	D9/453
2005/0242114 A1 *	11/2005	Savage et al.	222/92

* cited by examiner

1 Claim, 2 Drawing Sheets



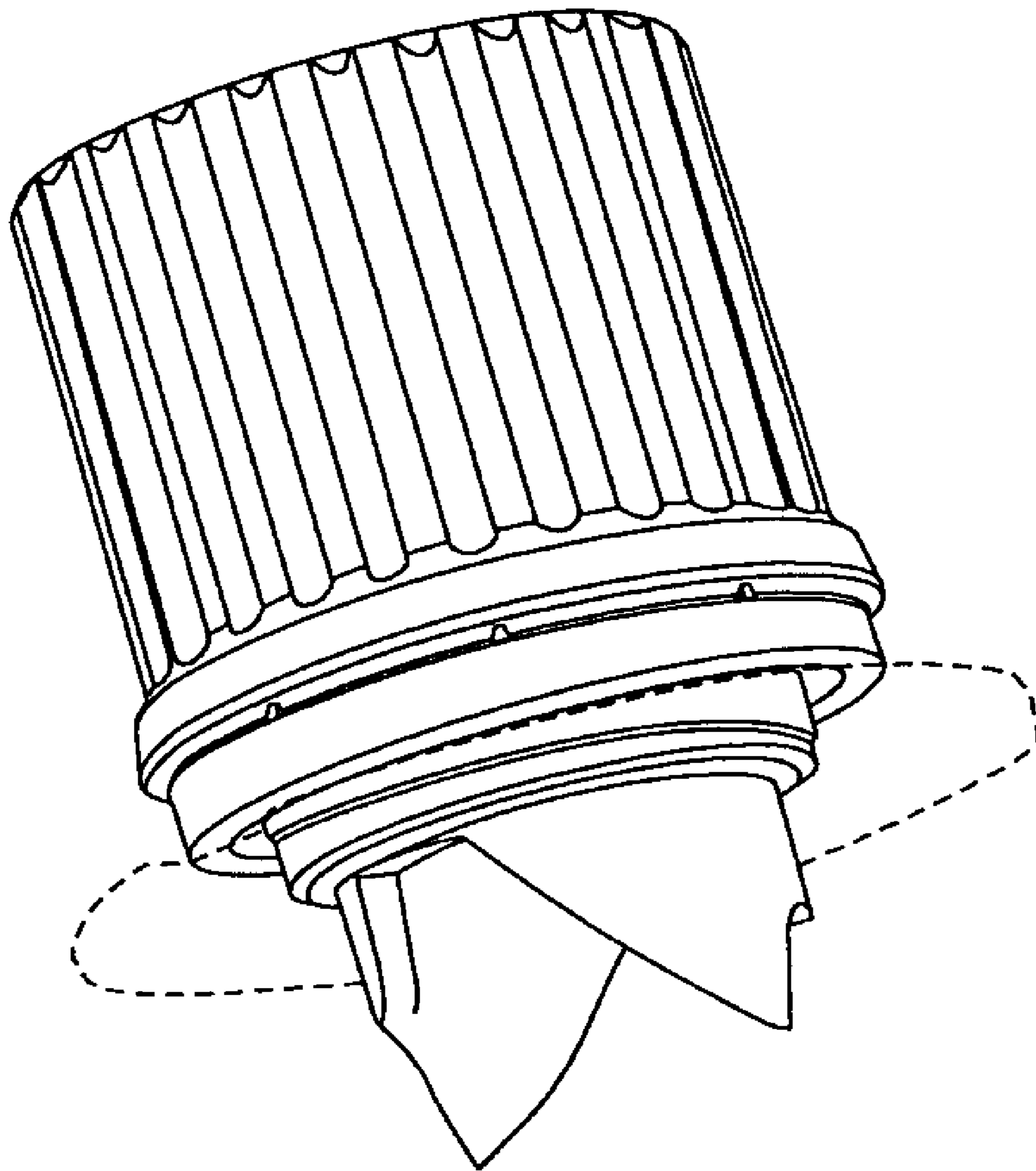


FIG.1

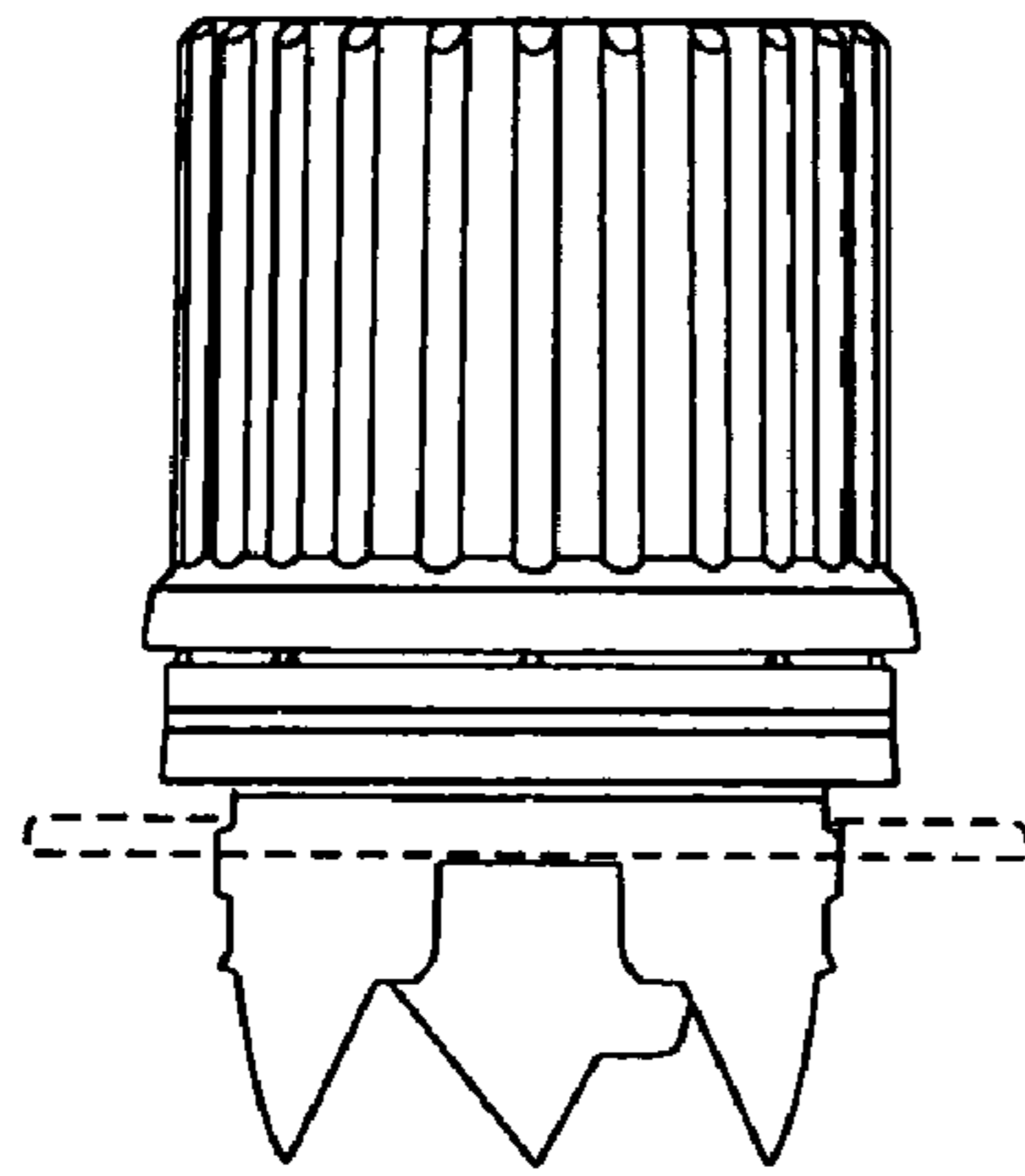


FIG. 2

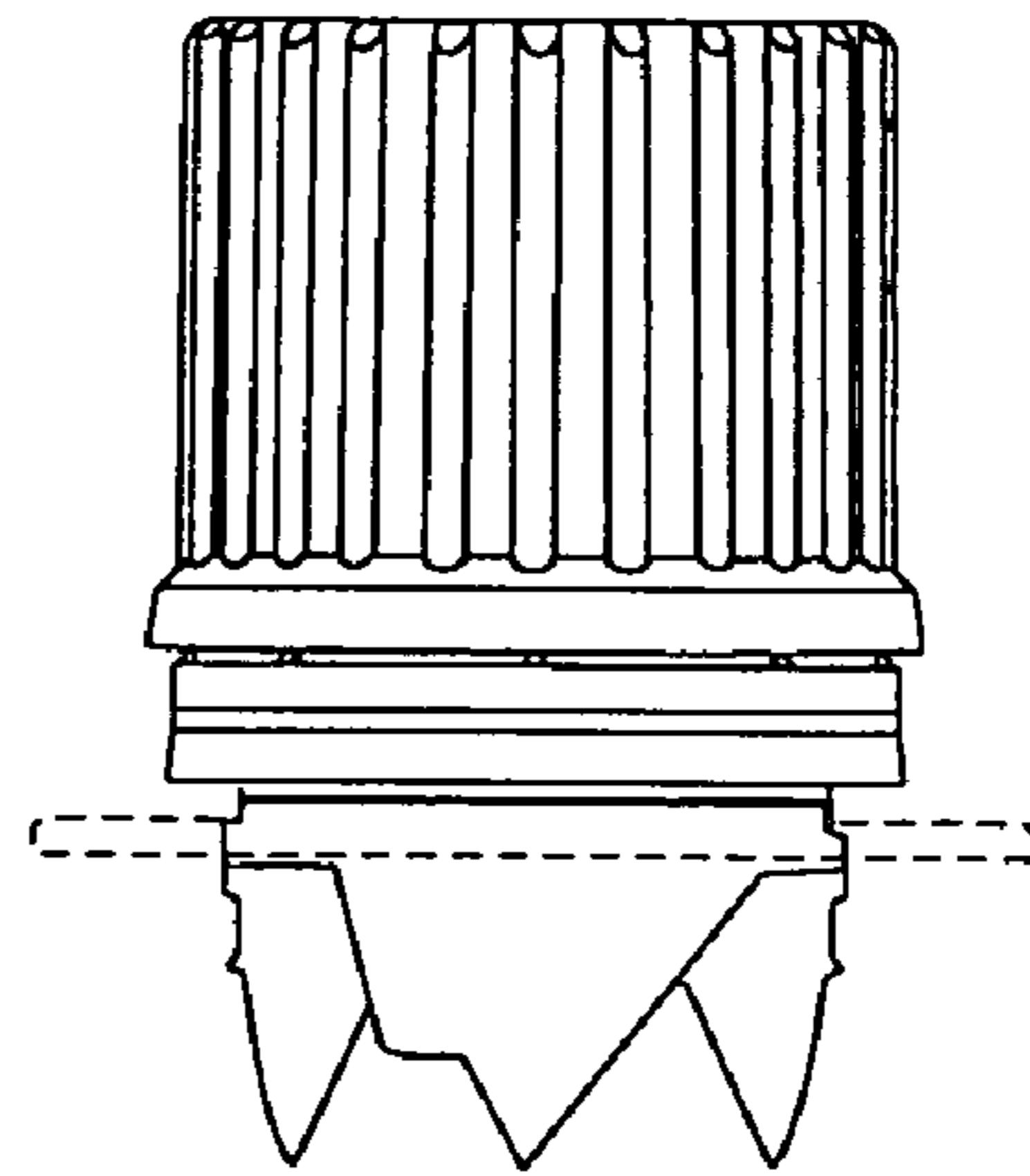


FIG. 3

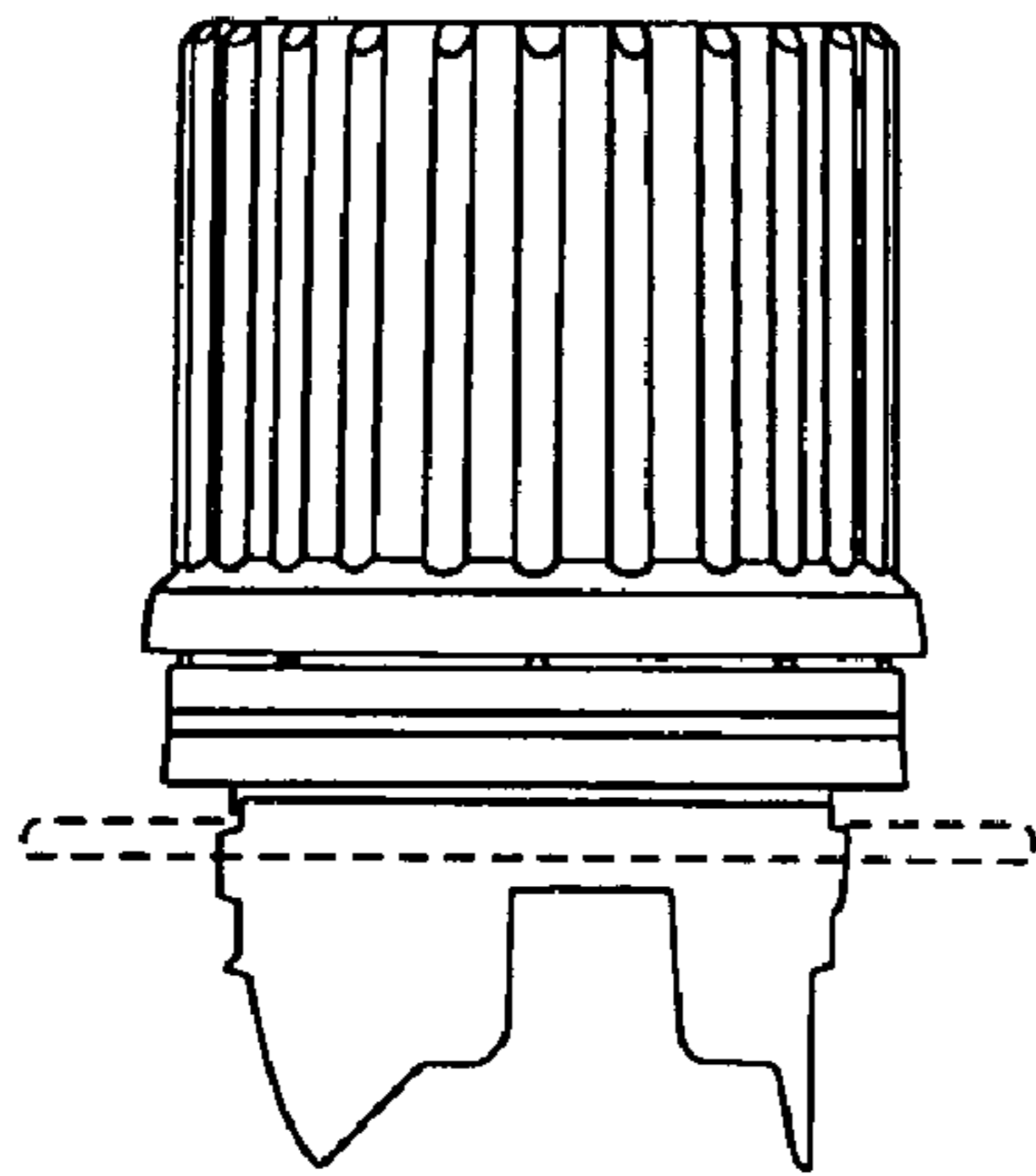


FIG. 4

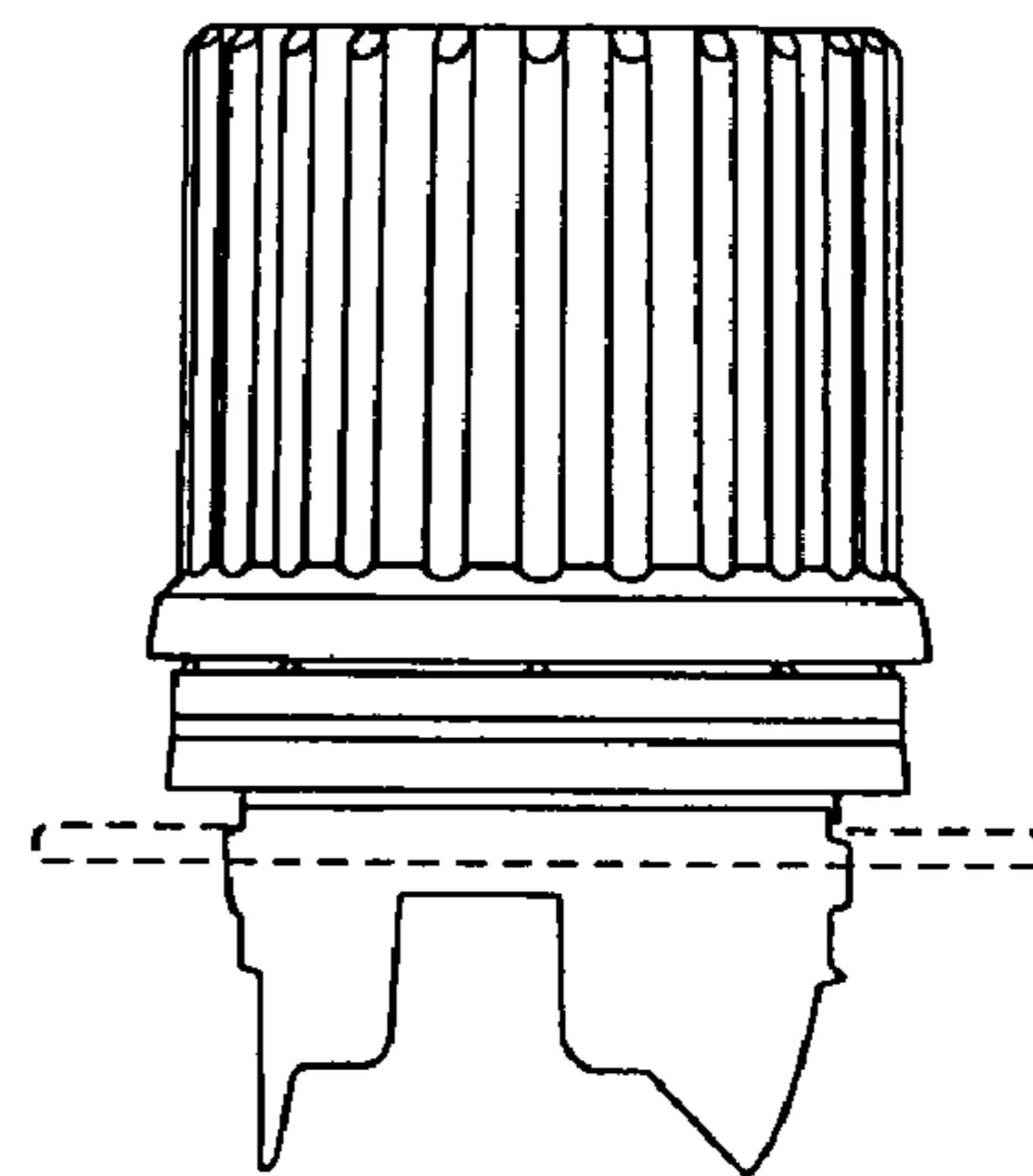


FIG. 5

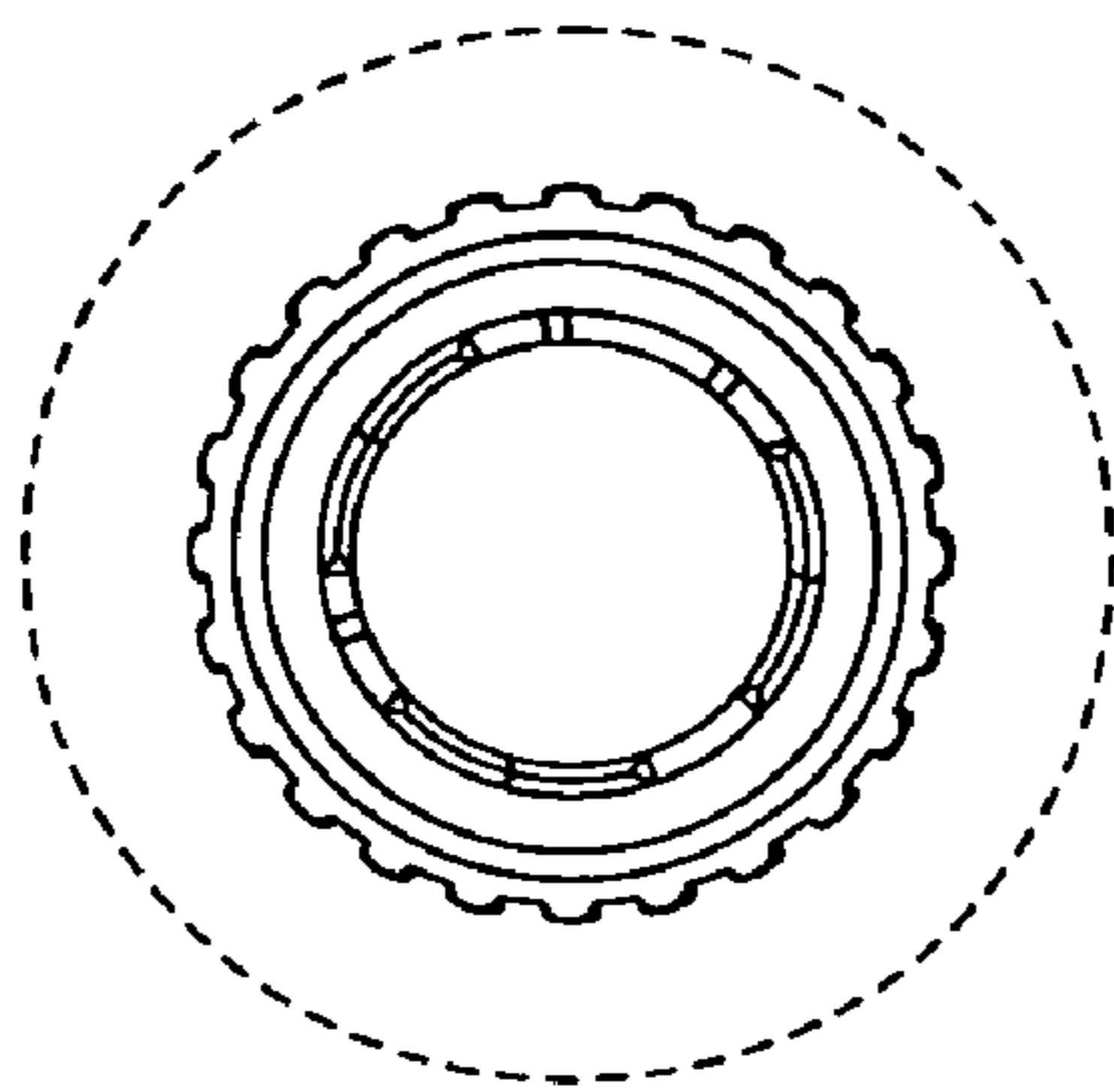


FIG. 6

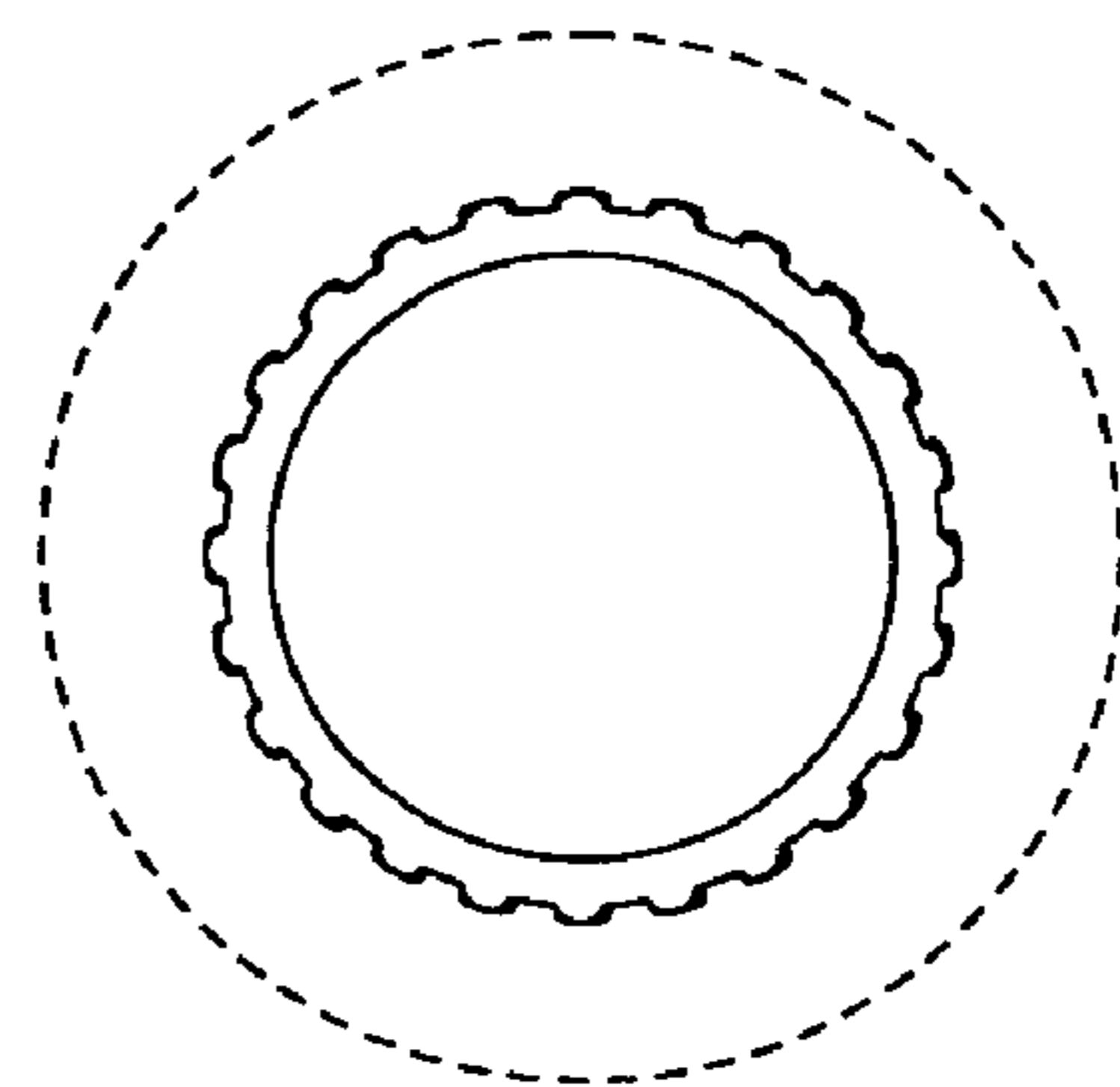


FIG. 7