



US00D564352S

(12) **United States Design Patent**
Rice

(10) **Patent No.:** **US D564,352 S**

(45) **Date of Patent:** **** Mar. 18, 2008**

(54) **BAG CLOSURE DEVICE**

(76) **Inventor:** **Gay Lynn Rice**, 1401 Aspen Ct., West
Chester, PA (US) 19380

(**) **Term:** **14 Years**

(21) **Appl. No.:** **29/280,491**

(22) **Filed:** **May 30, 2007**

(51) **LOC (8) Cl.** **09-07**

(52) **U.S. Cl.** **D9/434**

(58) **Field of Classification Search** D9/434,
D9/435, 436, 443, 455, 456, 499; 215/40,
215/43, 44, 45, 46, 219, 204, 222, 252, 318,
215/331; D8/300, 306, 316, 336, 342; 294/137,
294/153; 383/1, 6, 13, 15, 42, 51
See application file for complete search history.

(56) **References Cited**

U.S. PATENT DOCUMENTS

- D331,364 S * 12/1992 Barker et al. D9/434
- 5,337,987 A * 8/1994 Sawatsky 248/231.81
- D375,045 S * 10/1996 Weber et al. D9/443

- 5,613,282 A * 3/1997 Deddens et al. 24/30.5 R
- D400,439 S * 11/1998 Dawson D9/434
- D467,802 S 12/2002 Amundson
- D474,968 S * 5/2003 Hicks et al. D9/443
- D482,968 S * 12/2003 Henriksson D9/435

* cited by examiner

Primary Examiner—T. Chase Nelson

Assistant Examiner—Barbara B Lohr

(74) *Attorney, Agent, or Firm*—Pitts & Brittan, P.C.

(57) **CLAIM**

The ornamental design for a bag closure device, as shown and described.

DESCRIPTION

FIG. 1 is a perspective view of the present invention;

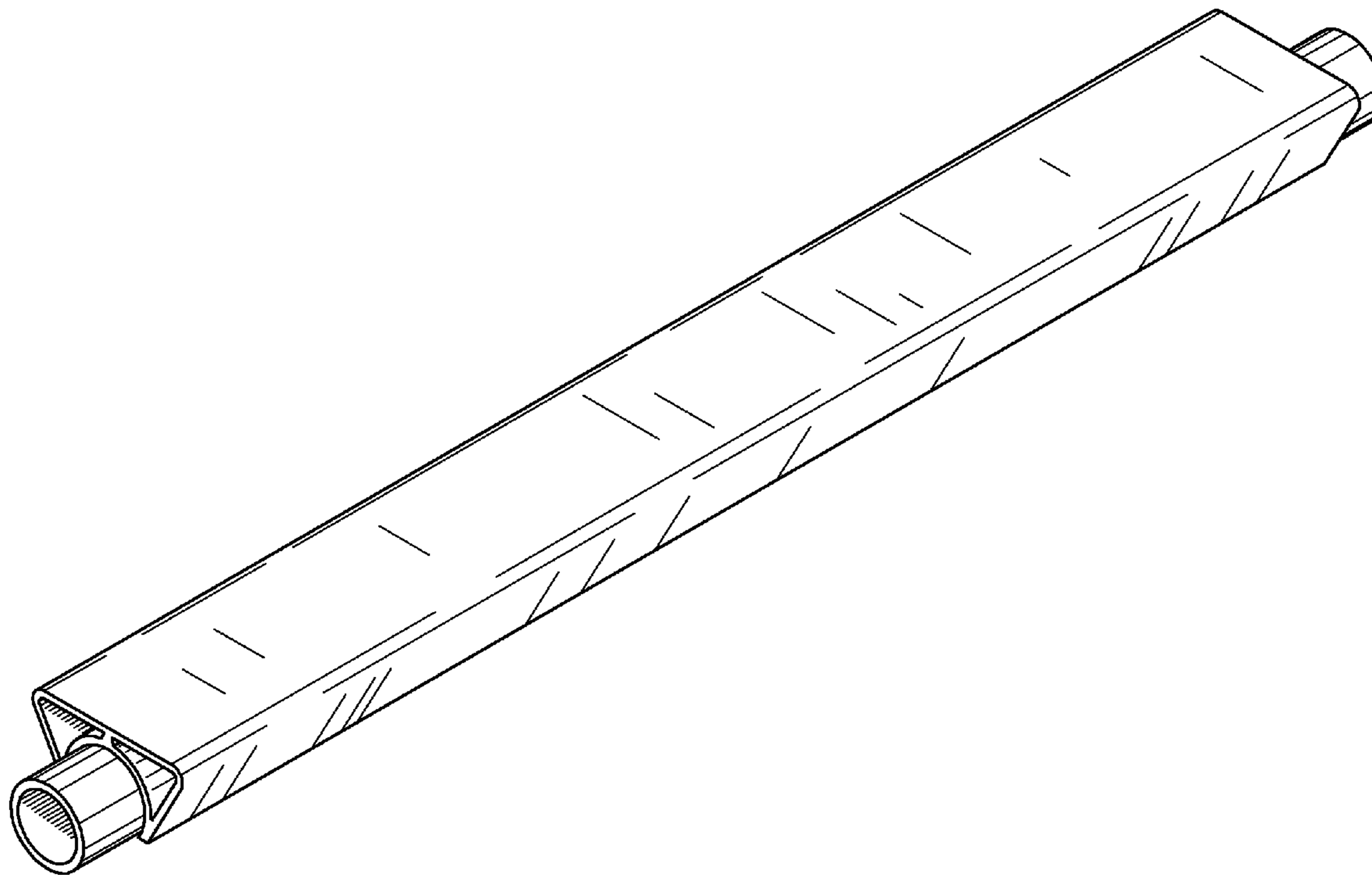
FIG. 2 is a side elevational view thereof;

FIG. 3 is a bottom plan view thereof;

FIG. 4 is a top plan view thereof; and,

FIG. 5 is an end elevational view thereof.

1 Claim, 3 Drawing Sheets



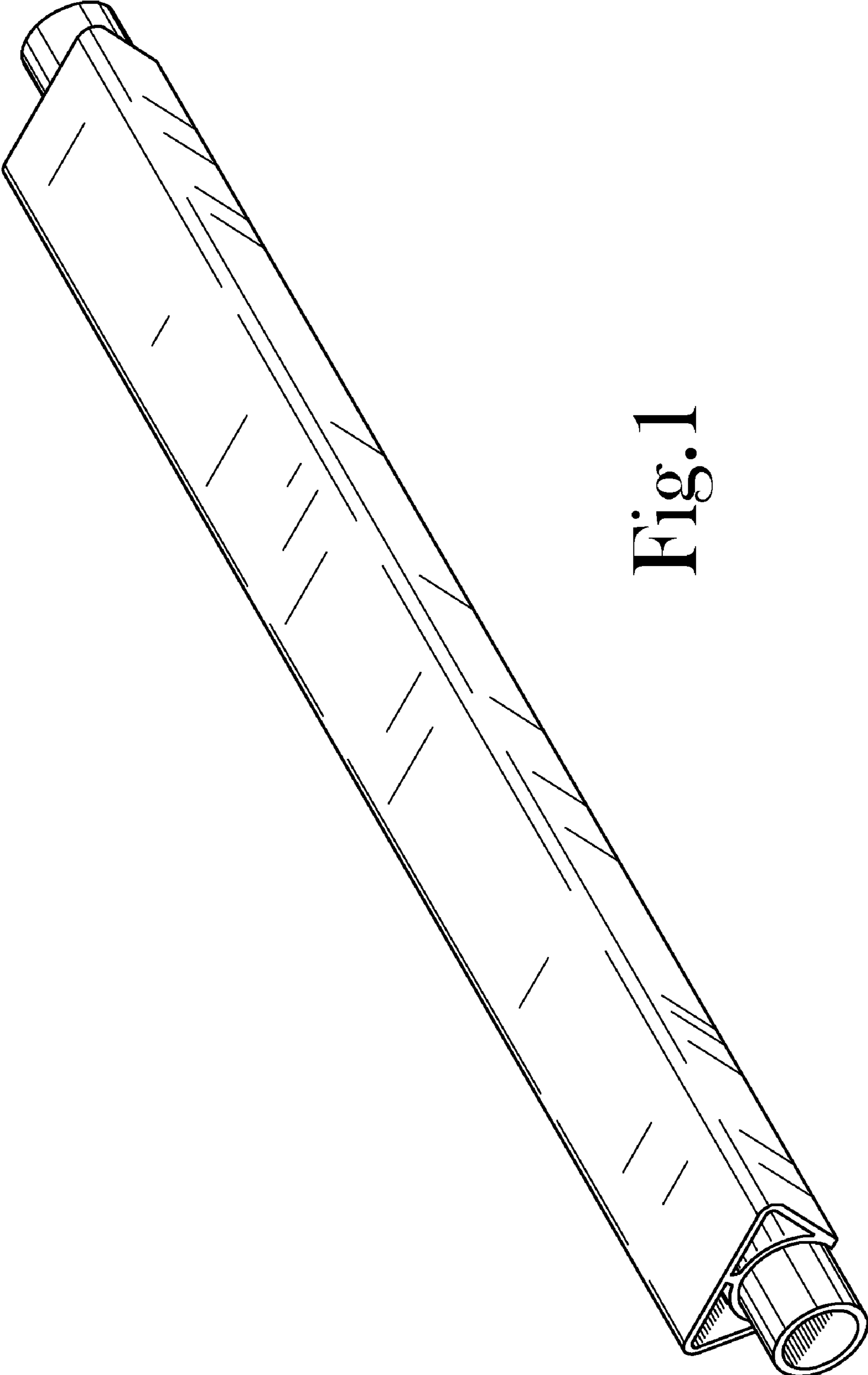


Fig. 1

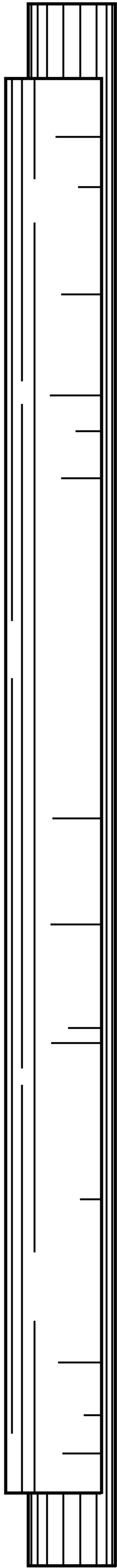


Fig. 2

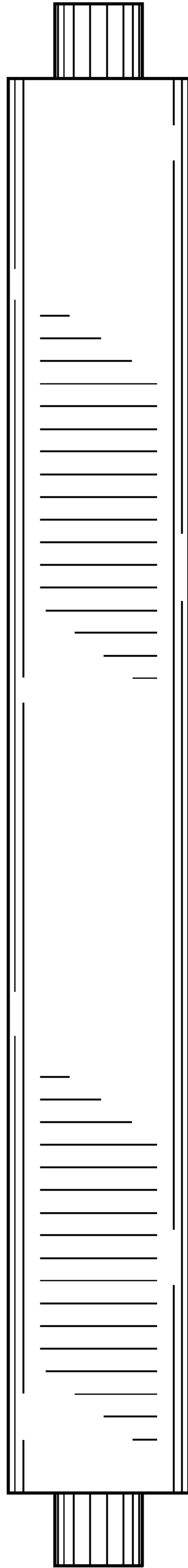


Fig. 3

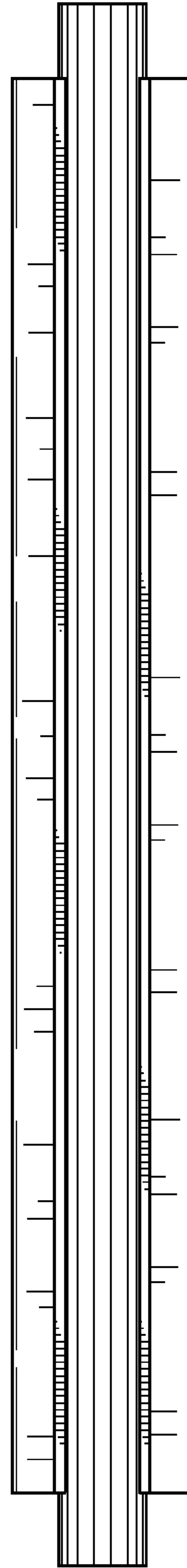


Fig. 4

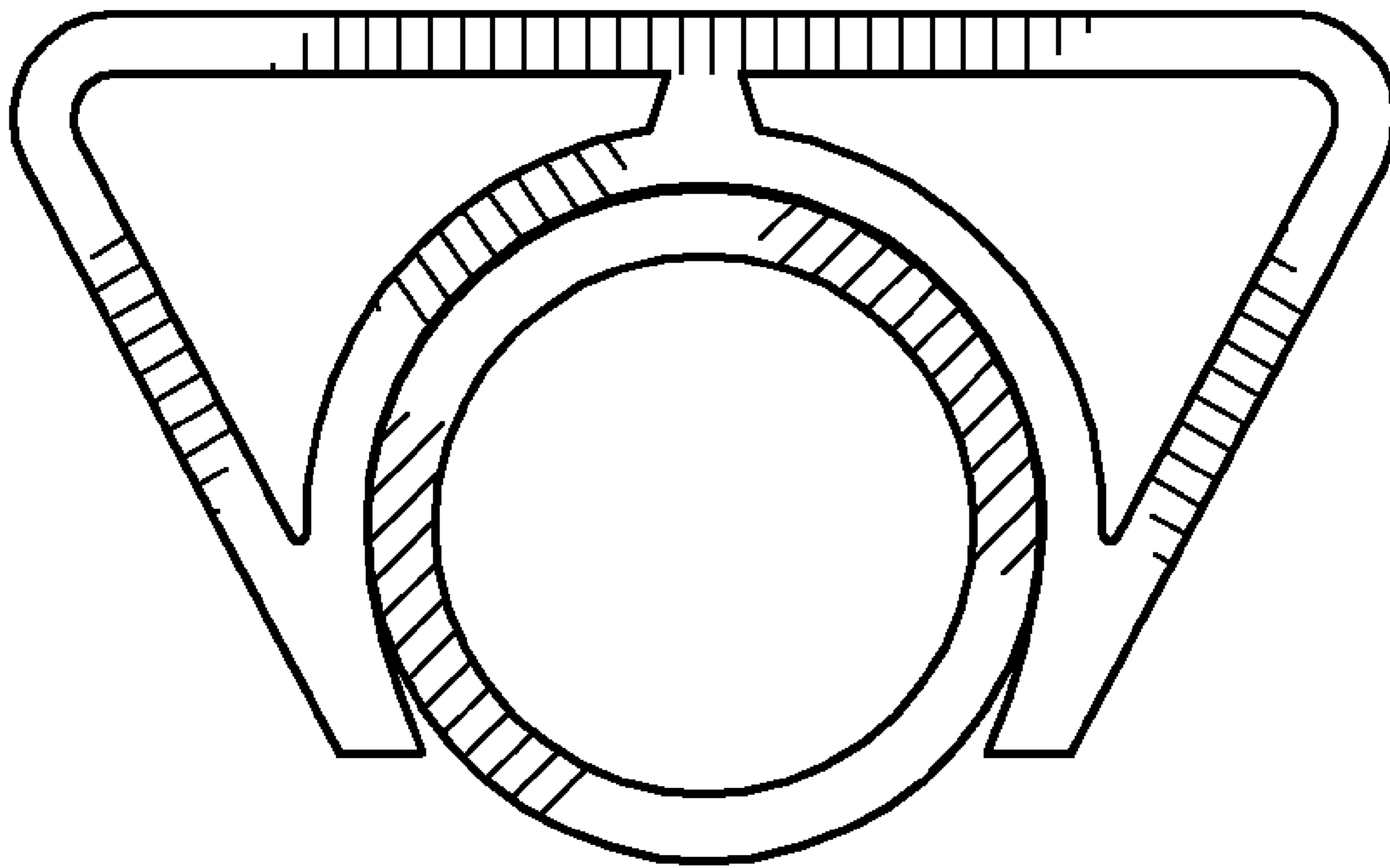


Fig. 5