



US00D564351S

(12) **United States Design Patent**
Leclerc

(10) **Patent No.:** **US D564,351 S**
(45) **Date of Patent:** **** Mar. 18, 2008**

(54) **BOTTLE HOLDER**

(75) Inventor: **Jean-Marie Leclerc**, 58, route 132,
Saint-Michel (Québec) (CA) G0R 3S0

(73) Assignee: **Jean-Marie Leclerc**,
Saint-Michel-de-Bellechasse, Quebec
(CA)

(**) Term: **14 Years**

(21) Appl. No.: **29/248,532**

(22) Filed: **Aug. 21, 2006**

(51) **LOC (8) Cl.** **09-07**

(52) **U.S. Cl.** **D9/434**

(58) **Field of Classification Search** D9/434,
D9/455; D20/10, 22, 23, 27, 28; D8/73,
D8/356, 396; 211/70.6; 40/124.01, 124.05,
40/299.01, 660, 662, 642.02, 649; 248/230.1,
248/682, 315; D7/619.1; D6/512; D3/215;
483/59; 206/376

See application file for complete search history.

(56) **References Cited**

U.S. PATENT DOCUMENTS

5,288,047 A	2/1994	Pan	
D363,017 S	10/1995	Noble	
D410,968 S *	6/1999	Swan et al.	D20/22
D431,466 S	10/2000	Wang	
6,131,779 A	10/2000	Gendala	
D438,467 S *	3/2001	Durand	D9/434
6,250,466 B1 *	6/2001	Ernst	206/378
D444,706 S *	7/2001	Giancaspro	D9/455
D460,669 S	7/2002	Cizek	
D476,569 S	7/2003	Simkins	
D498,357 S *	11/2004	Smith	D3/215
6,837,472 B1	1/2005	Beutz	
D505,328 S *	5/2005	Chou	D9/455
D508,200 S *	8/2005	Cagle	D9/434
D547,578 S *	7/2007	Johannsen	D6/512
D548,535 S *	8/2007	Schwallie et al.	D7/619.1

D551,513 S *	9/2007	Fiorella et al.	D7/619.1
2003/0130101 A1 *	7/2003	Hwang	483/59
2005/0178936 A1 *	8/2005	Chen	248/230.1
2006/0243686 A1 *	11/2006	Grayson	211/70.6

* cited by examiner

Primary Examiner—T. Chase Nelson

Assistant Examiner—Barbara B Lohr

(74) *Attorney, Agent, or Firm*—Ogilvy Renault LLP

(57) **CLAIM**

The ornamental design for a bottle holder, as shown and described.

DESCRIPTION

FIG. 1 is a perspective view of a first embodiment of the bottle holder showing my new invention, the portion shown in broken lines is for purposes of showing environmental structure and does not form part of my invention;

FIG. 2 is a front view thereof;

FIG. 3 is a left side view thereof;

FIG. 4 is a right side view thereof;

FIG. 5 is a rear view thereof;

FIG. 6 is a top view thereof;

FIG. 7 is a bottom view thereof;

FIG. 8 is a perspective view of a second embodiment of the bottle holder of FIG. 1; the portion shown in broken lines is for purposes of showing environmental structure and does not form part of my invention;

FIG. 9 is a front view of the embodiment of FIG. 8;

FIG. 10 is a left side view of the embodiment of FIG. 8;

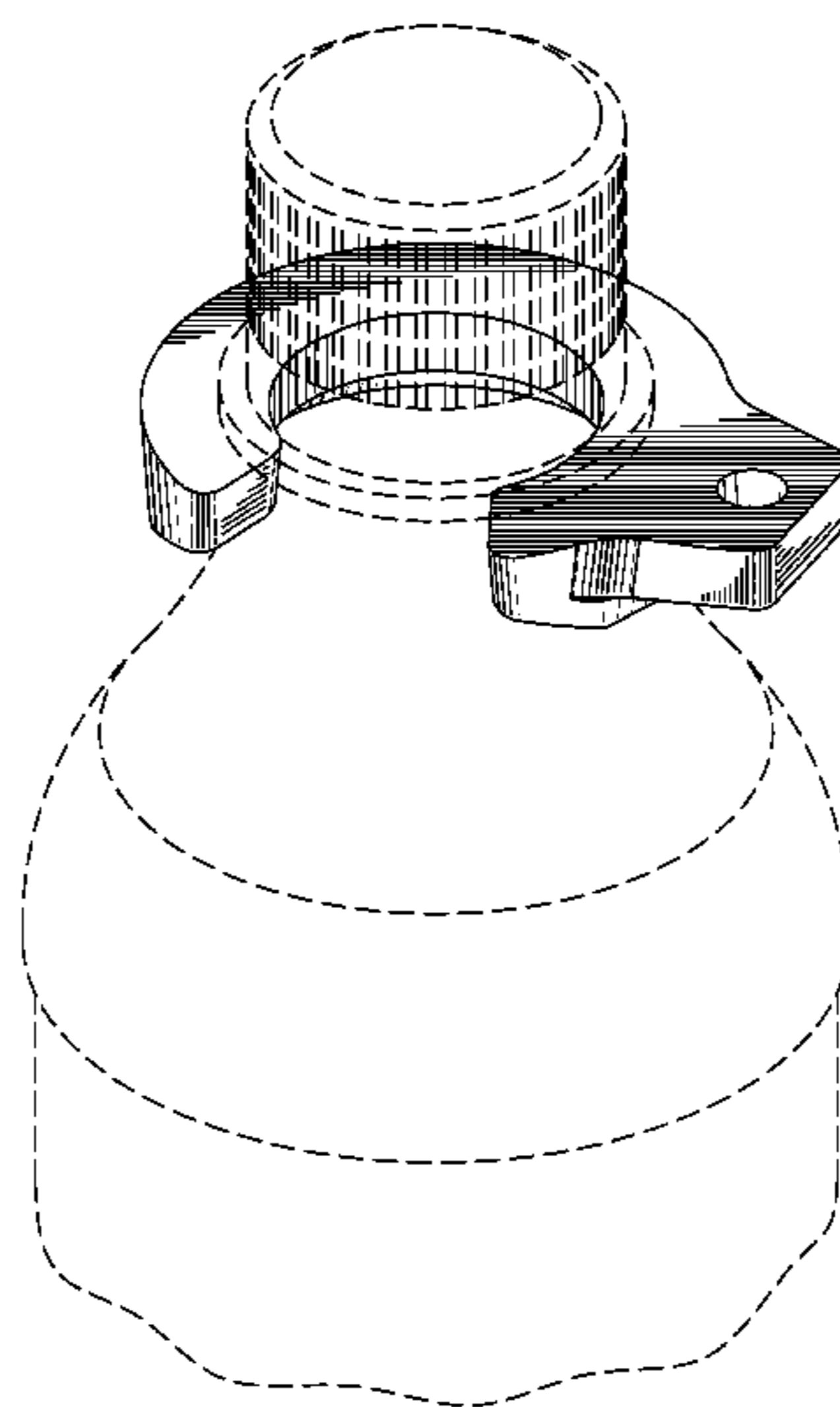
FIG. 11 is a right side view of the embodiment of FIG. 8;

FIG. 12 is a rear view of the embodiment of FIG. 8;

FIG. 13 is a top view of the embodiment of FIG. 8; and,

FIG. 14 is a bottom view of the embodiment of FIG. 8.

1 Claim, 8 Drawing Sheets



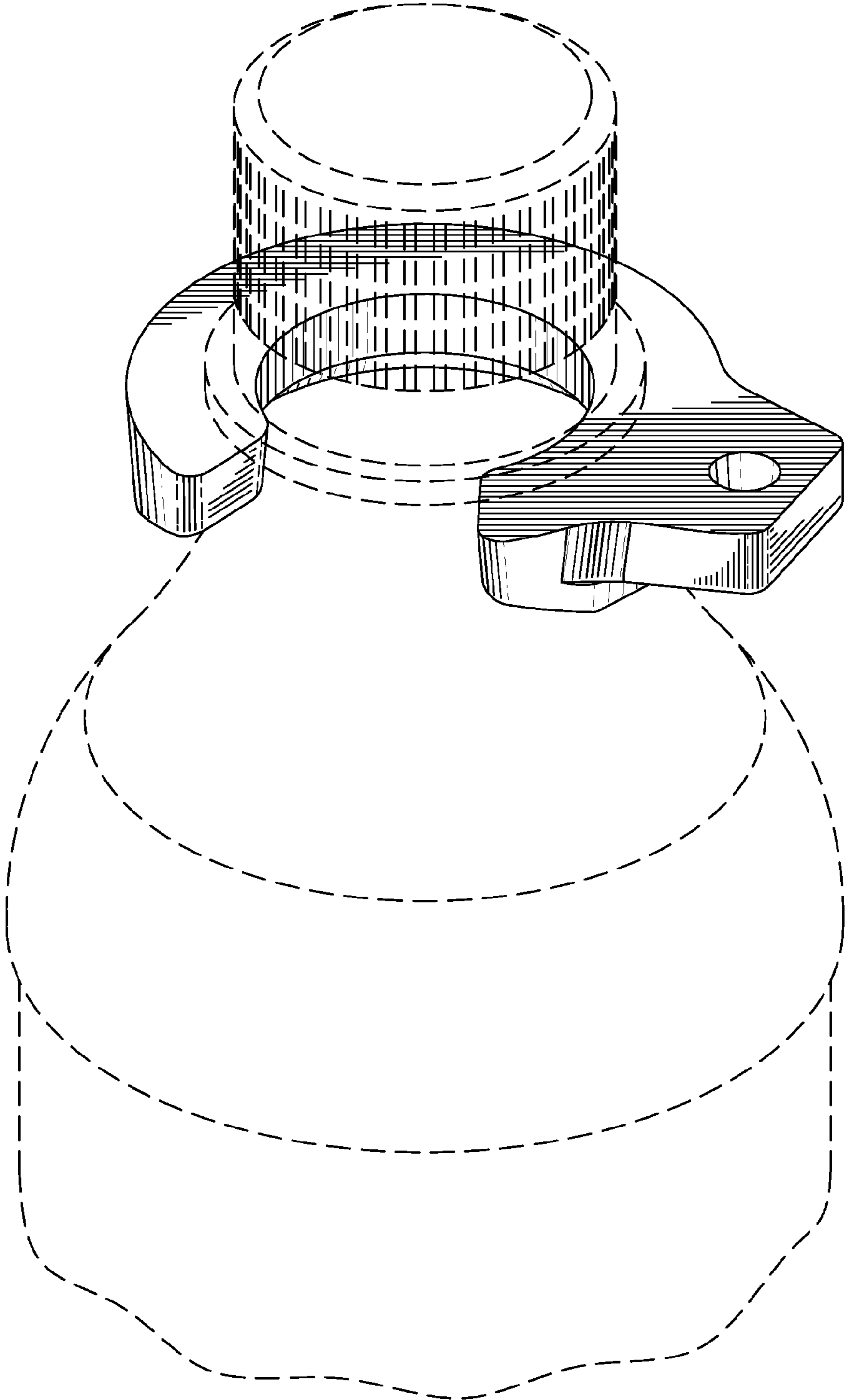


Fig-1

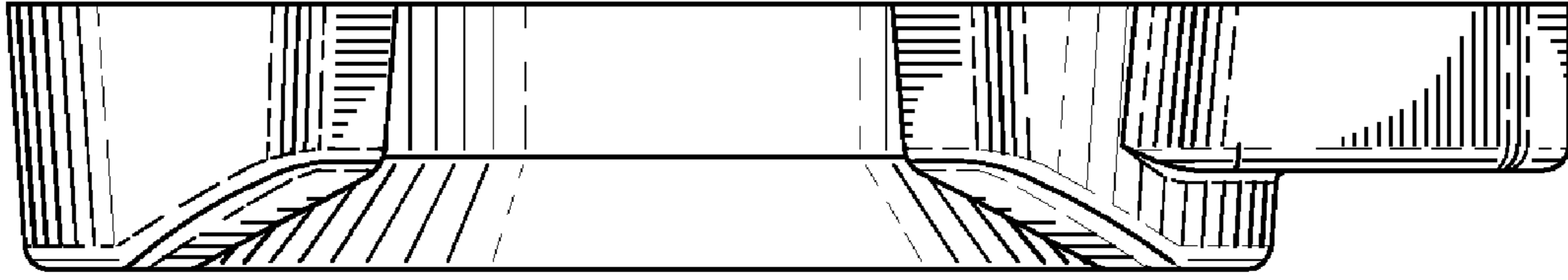


Fig-2

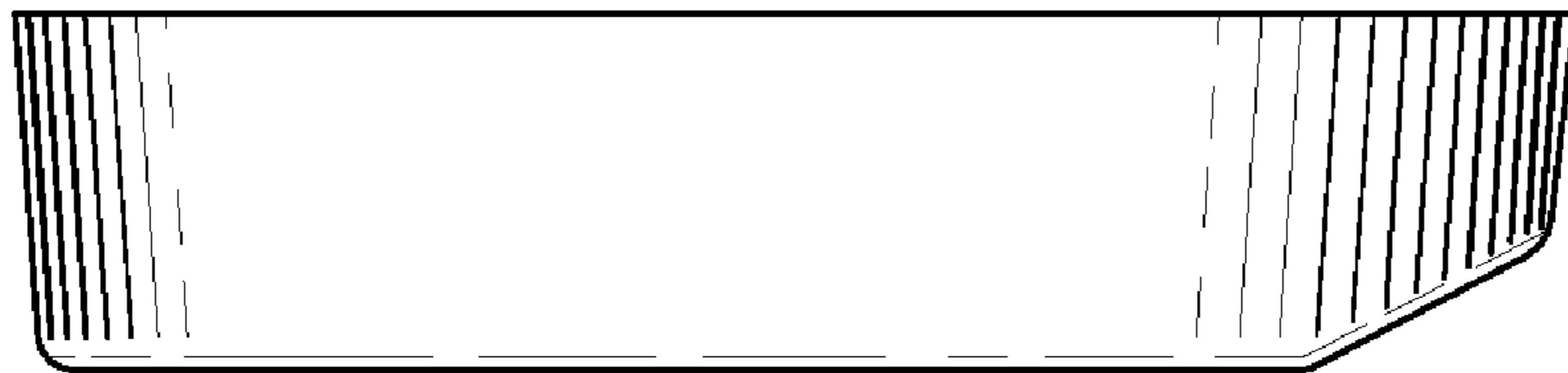


Fig-3



Fig-4

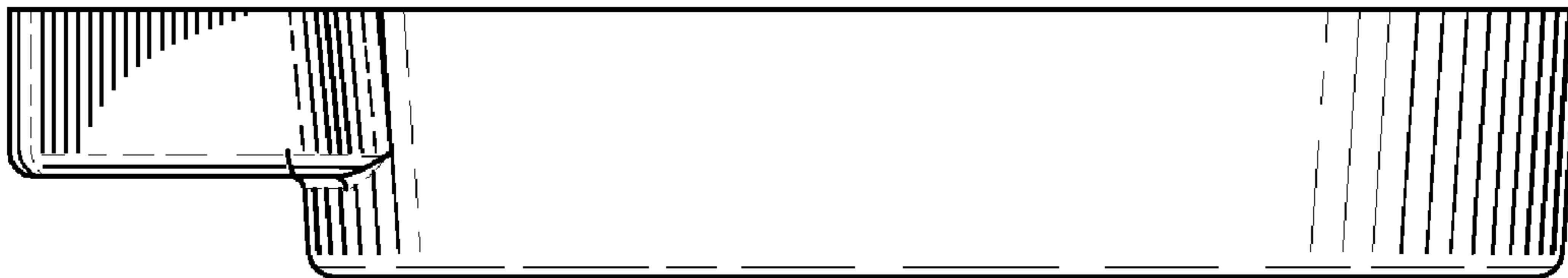


Fig-5

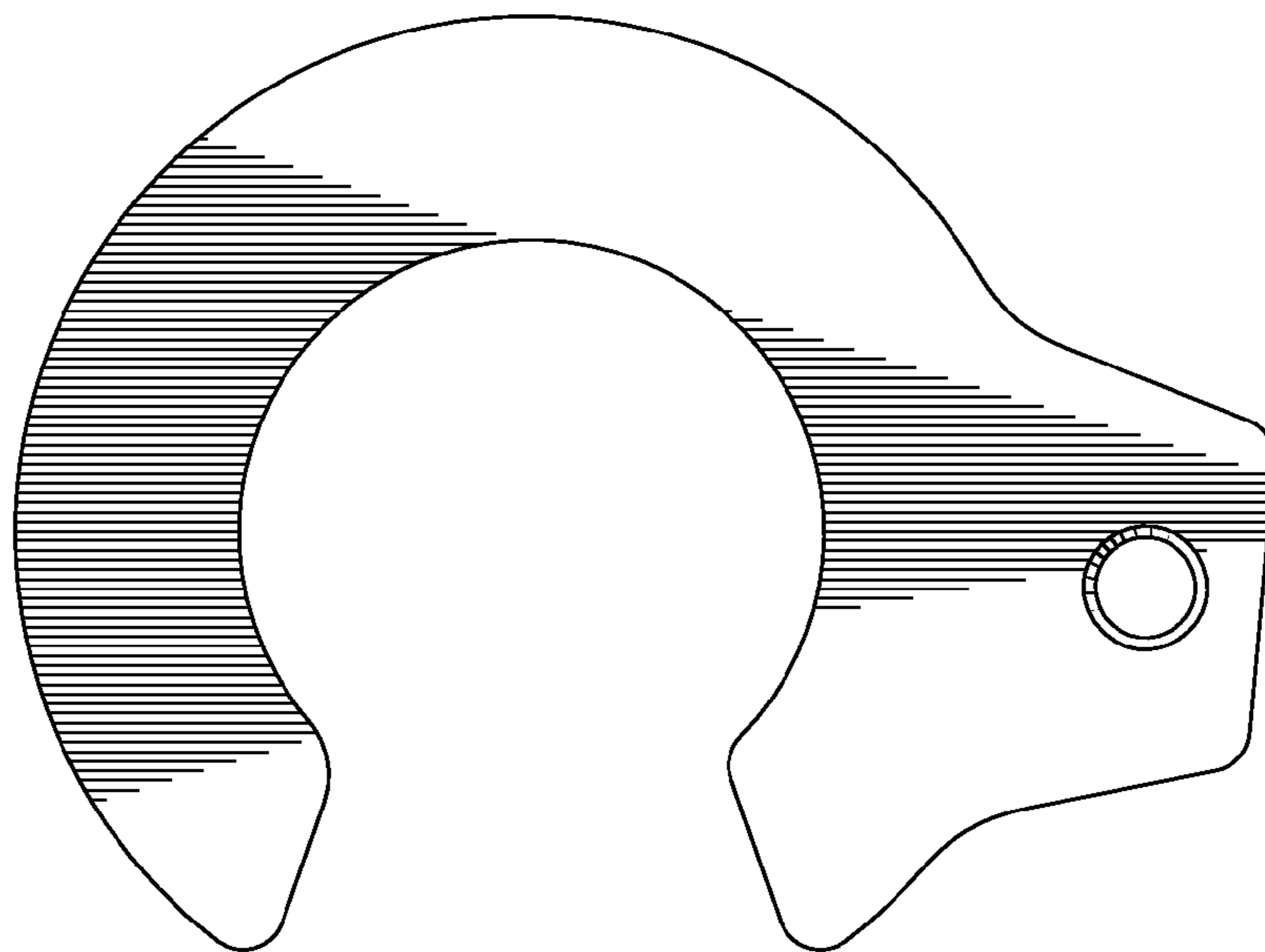


Fig-6

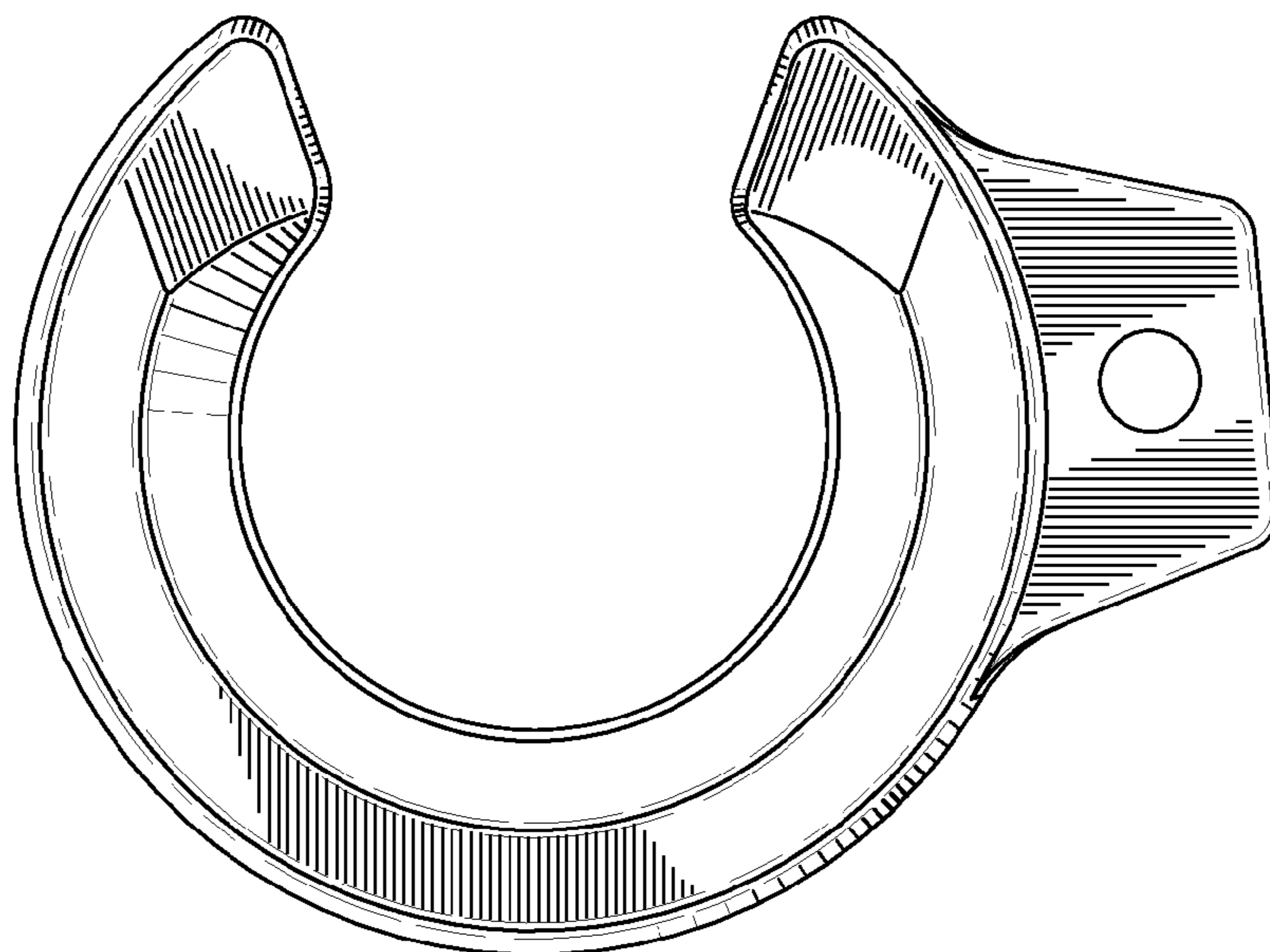


Fig-7

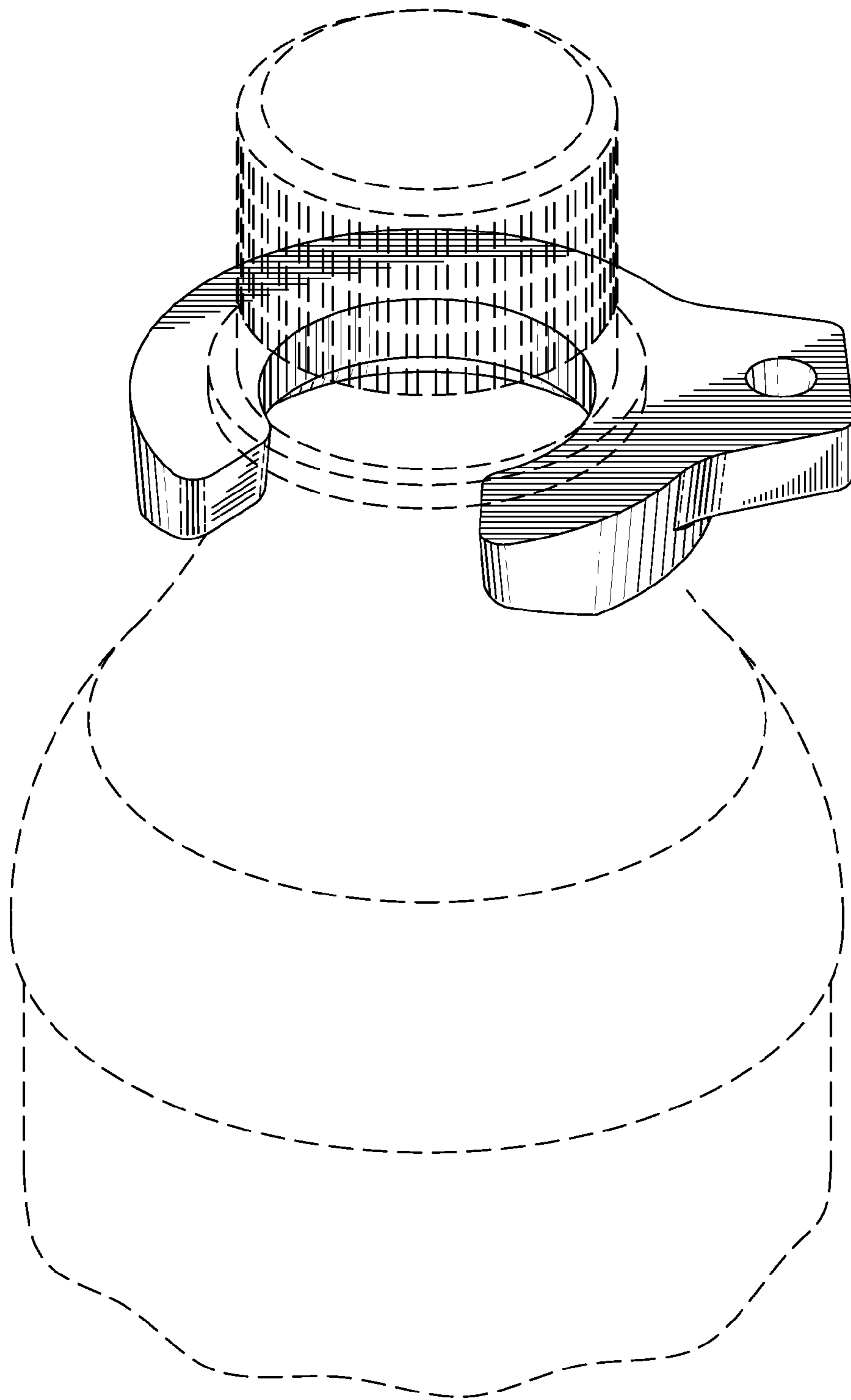


Fig. 8

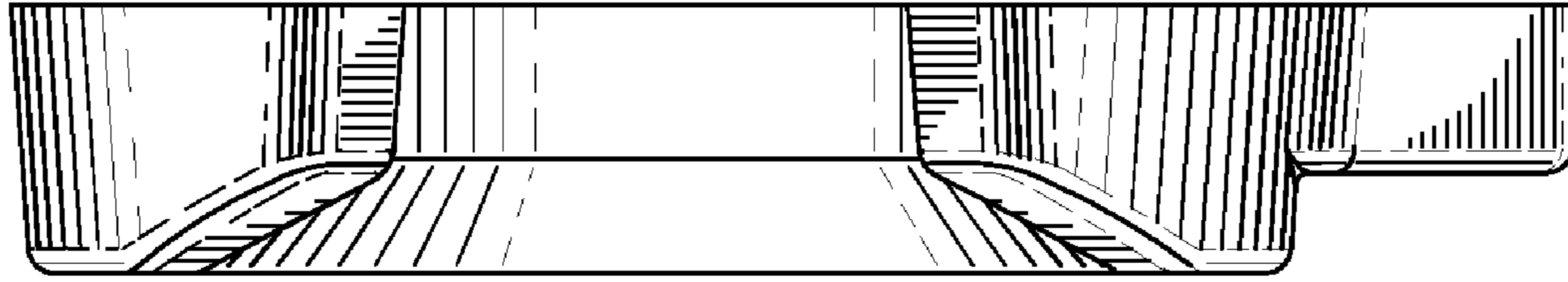


Fig-9



Fig-10

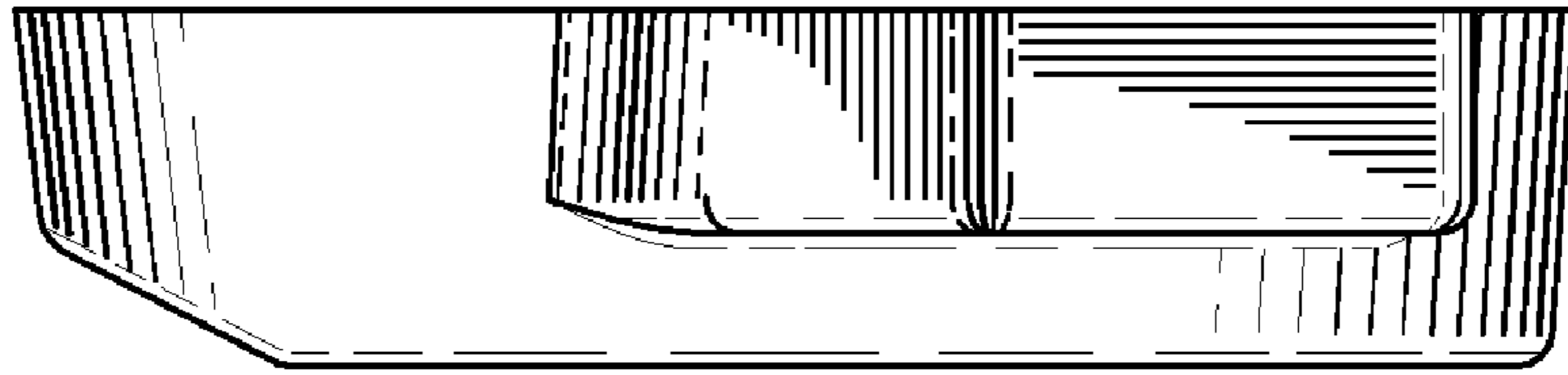


Fig-11

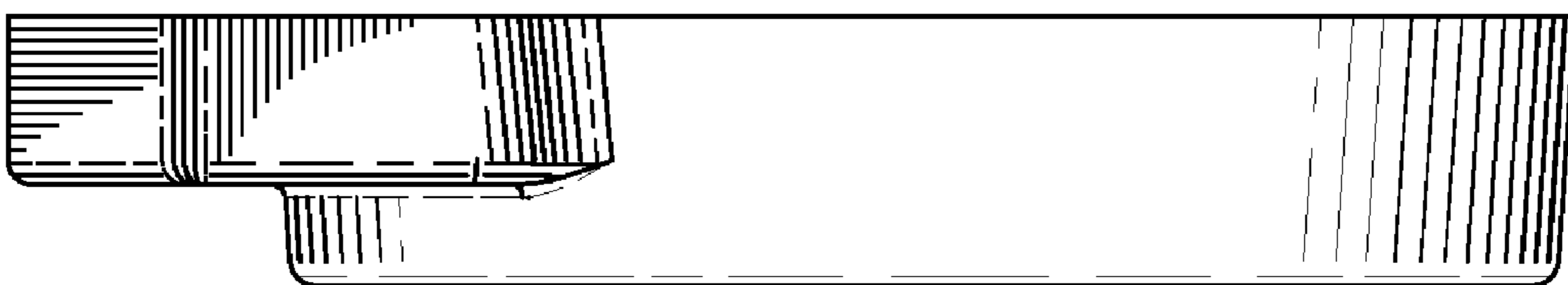


Fig-12

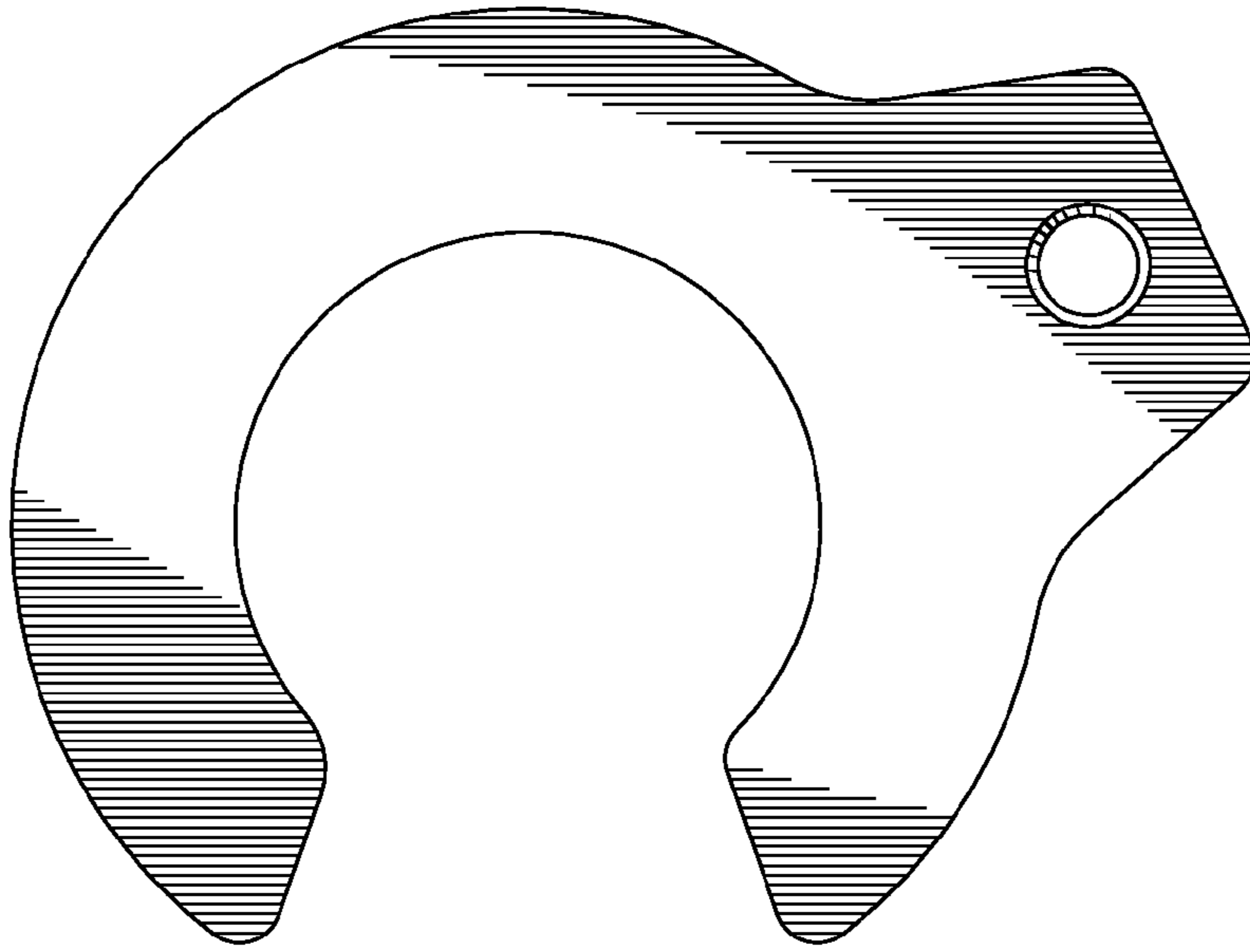


FIG. 13

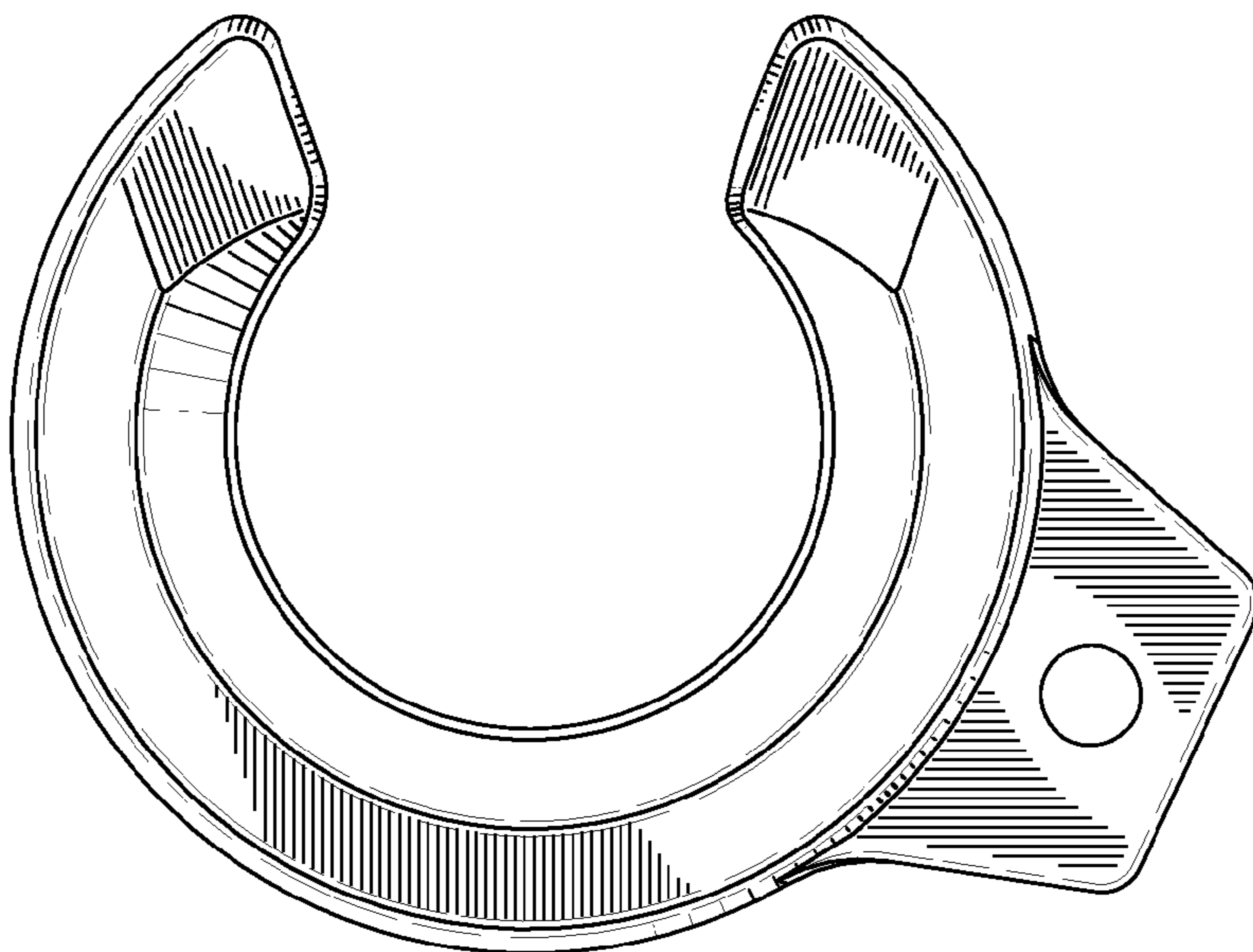


FIG. 14