

US00D564350S

(12) **United States Design Patent**  
**Zahrobsky**

(10) **Patent No.:** **US D564,350 S**  
(45) **Date of Patent:** **\*\* Mar. 18, 2008**

(54) **SCREENED TAB FOR BEVERAGE CANS**

(76) **Inventor:** **James Zahrobsky**, 2503 S. Clinton Ave., Berwyn, IL (US) 60402

(\*\*) **Term:** **14 Years**

(21) **Appl. No.:** **29/247,197**

(22) **Filed:** **Jun. 6, 2006**

(51) **LOC (8) Cl.** ..... **09-07**

(52) **U.S. Cl.** ..... **D9/434**

(58) **Field of Classification Search** ..... D9/353, D9/434, 435, 436, 438, 439, 443, 444, 445, D9/446, 447, 499; 220/90.2, 90.4, 90.6, 220/253, 254, 259, 267, 271, 359, 369, 370, 220/371, 372, 705, 709, 711, 712, 730; 222/189.02; 217/17; 215/224, 226; D7/396.2, 396.3, D7/624.1, 667; D4/435, 436, 445; D24/224, D24/254

See application file for complete search history.

(56) **References Cited**

**U.S. PATENT DOCUMENTS**

- 3,424,351 A \* 1/1969 Rusak, Jr. et al. .... 222/189.02
- 4,537,329 A 8/1985 Norton
- 4,869,389 A 9/1989 Cerrone, Jr.
- D308,943 S \* 7/1990 Garza ..... D9/434
- D315,872 S \* 4/1991 Bixler ..... D9/446
- D329,604 S \* 9/1992 Kuczer ..... D9/449
- D331,537 S \* 12/1992 Tucker ..... D9/447

- 5,617,970 A \* 4/1997 Lee ..... 220/730
- 5,887,742 A \* 3/1999 Lewis ..... 220/253
- 5,975,327 A \* 11/1999 Funk ..... 220/269
- D442,086 S \* 5/2001 Mozes ..... D9/434
- D487,699 S \* 3/2004 Myers et al. .... D9/447
- 6,755,315 B1 6/2004 Mueller
- D532,297 S \* 11/2006 Myers et al. .... D9/447
- 7,222,746 B2 \* 5/2007 Eckstrum ..... 220/730

\* cited by examiner

*Primary Examiner*—T. Chase Nelson  
*Assistant Examiner*—Barbara B Lohr

(57) **CLAIM**

The ornamental design for a screened tab for beverage cans, as shown and described.

**DESCRIPTION**

FIG. 1 is a top perspective view of a screened tab for beverage cans showing my new design;

FIG. 2 is a enlarged front elevational view thereof;

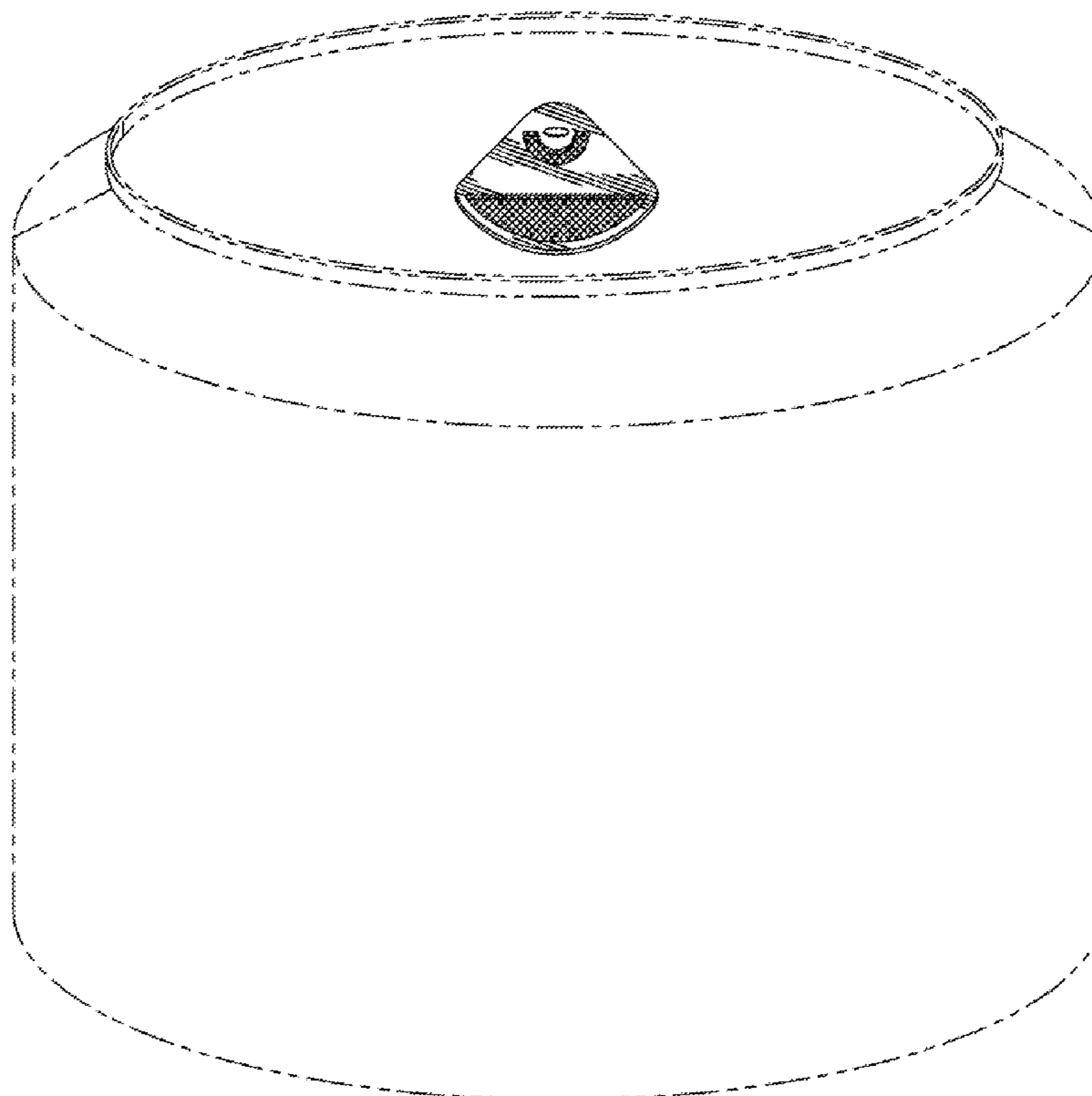
FIG. 3 is a enlarged left side elevational view thereof;

FIG. 4 is a enlarged right side elevational thereof; and,

FIG. 5 is a enlarged top plan view thereof.

The broken line showing of environmental structure is for illustrative purposes and forms no part of the claimed design.

**1 Claim, 4 Drawing Sheets**



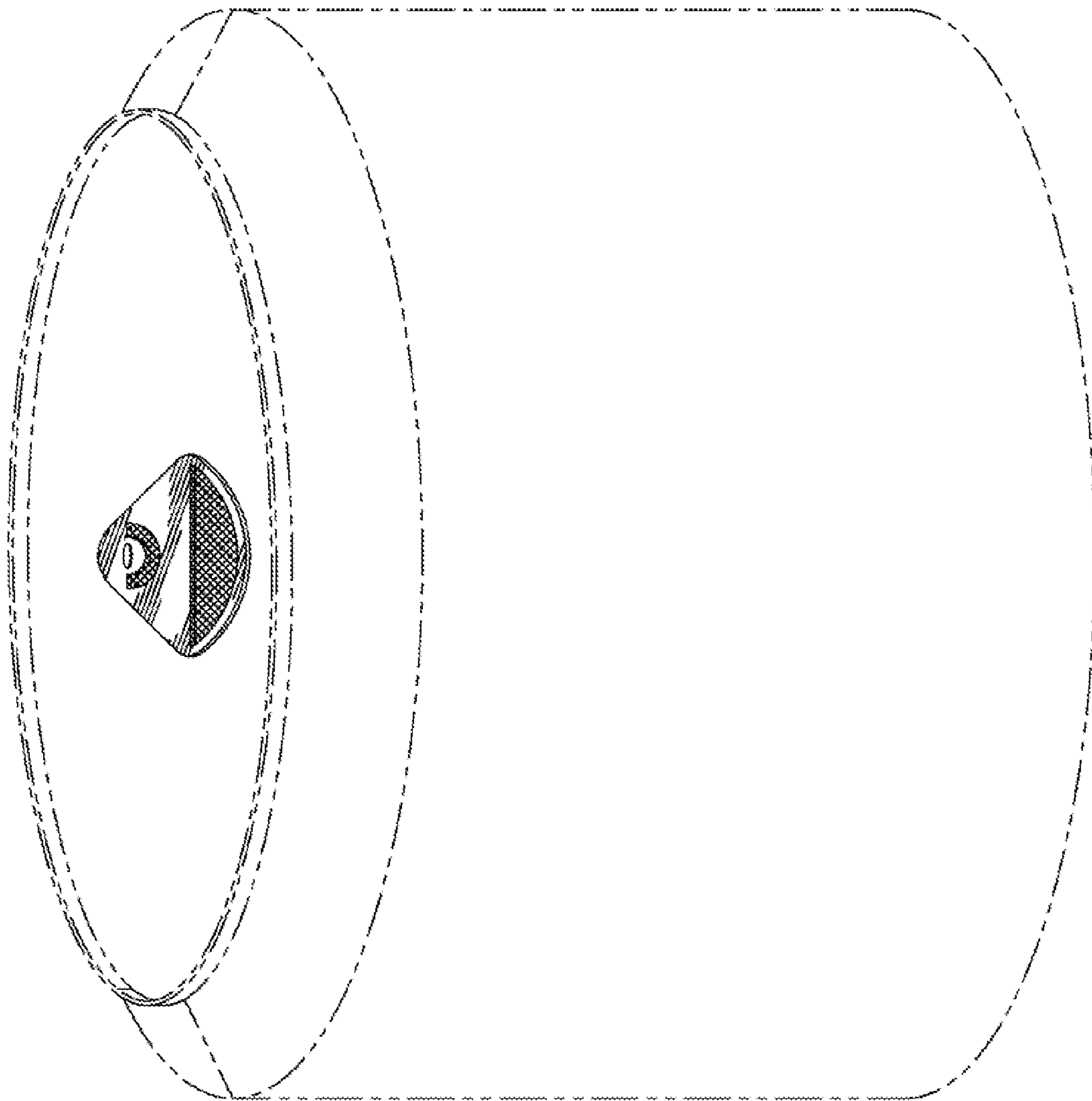


FIG. 1



FIG. 2



FIG. 3

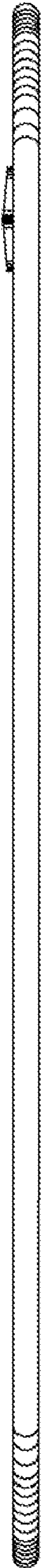


FIG. 4

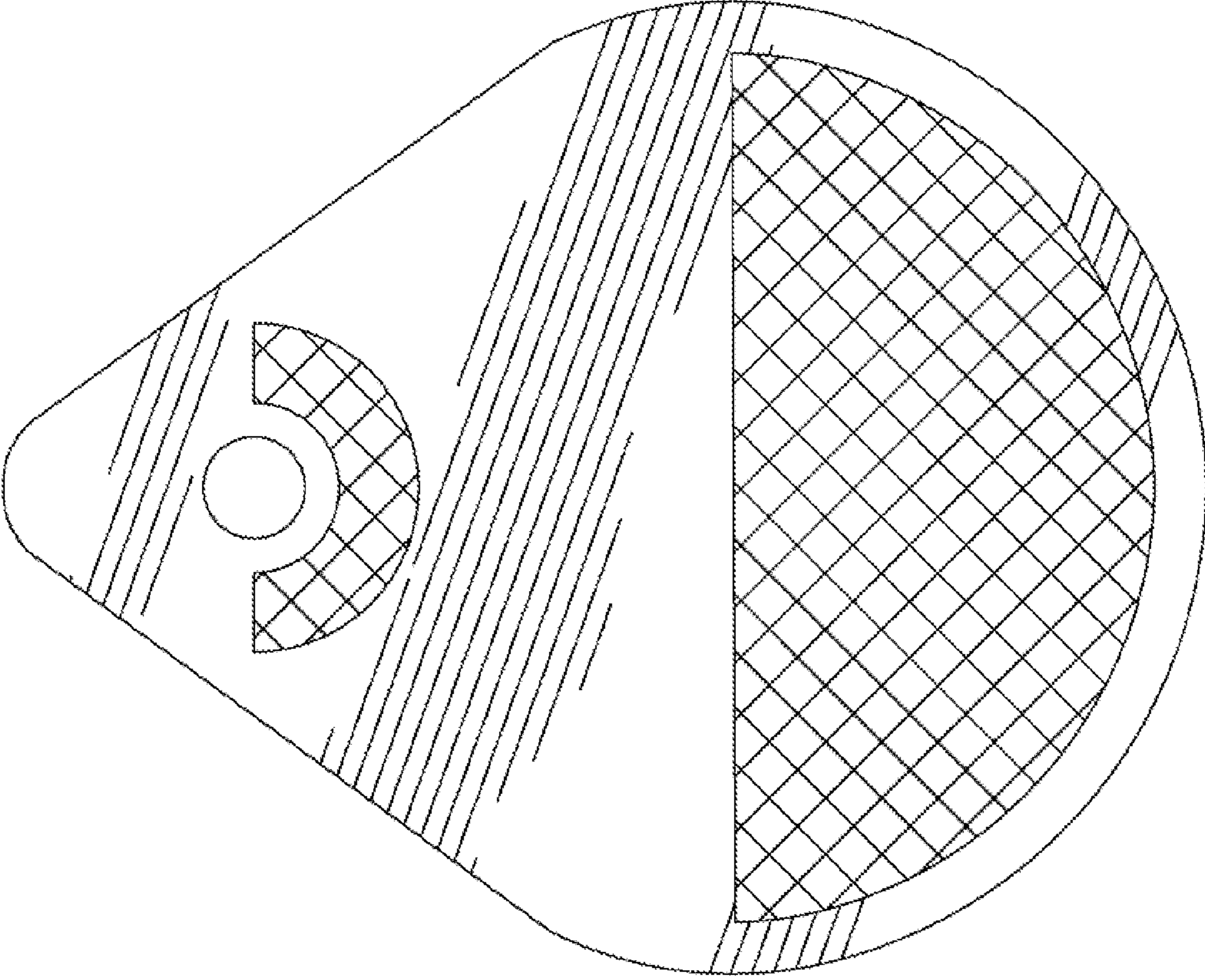


FIG. 5