



US00D564349S

(12) **United States Design Patent**
Schumaier

(10) **Patent No.:** **US D564,349 S**
(45) **Date of Patent:** **** Mar. 18, 2008**

(54) **DESICCANT CONTAINER**

(75) Inventor: **Daniel R. Schumaier**, Elizabethton, TN (US)

(73) Assignee: **Ear Technology, Corp.**, Johnson City, TN (US)

(**) Term: **14 Years**

(21) Appl. No.: **29/282,466**

(22) Filed: **Jul. 20, 2007**

(51) **LOC (8) Cl.** **09-03**

(52) **U.S. Cl.** **D9/425; D9/430**

(58) **Field of Classification Search** D9/414-416, D9/418, 422-425, 430-432, 757-758, 761; D24/218; D3/264, 903, 218; 206/521.1-521.8, 206/724-725, 362.2; 229/123.2, 125.14, 229/125.35, 207; 220/345.4, 350-351, 788
See application file for complete search history.

(56) **References Cited**

U.S. PATENT DOCUMENTS

- D250,807 S * 1/1979 McIlvain D9/425
- D265,629 S * 8/1982 Fish D9/425
- 4,531,668 A * 7/1985 Forbes, Jr. 229/123.2
- D286,745 S * 11/1986 Forbes, Jr. D9/416
- D299,085 S * 12/1988 Martinez D3/264
- D328,565 S * 8/1992 Lawless et al. D9/415
- D352,516 S * 11/1994 Newman et al. D24/218

- D462,901 S * 9/2002 Giard et al. D9/416
- D469,692 S * 2/2003 Meeker et al. D9/432
- D507,968 S * 8/2005 Dixon et al. D9/422
- D553,012 S * 10/2007 Changpan D9/761
- 2002/0185409 A1 * 12/2002 Morrow 206/725

* cited by examiner

Primary Examiner—Robert M. Spear

Assistant Examiner—Susan E Krakower

(74) *Attorney, Agent, or Firm*—Luedeka, Neely & Graham, P.C.

(57) **CLAIM**

The ornamental design for a desiccant container, as shown and described.

DESCRIPTION

FIG. 1 is a top perspective view of a desiccant container showing my new design;

FIG. 2 is a bottom perspective view of the container;

FIG. 3 is a left end view of the container;

FIG. 4 is a right end view of the container;

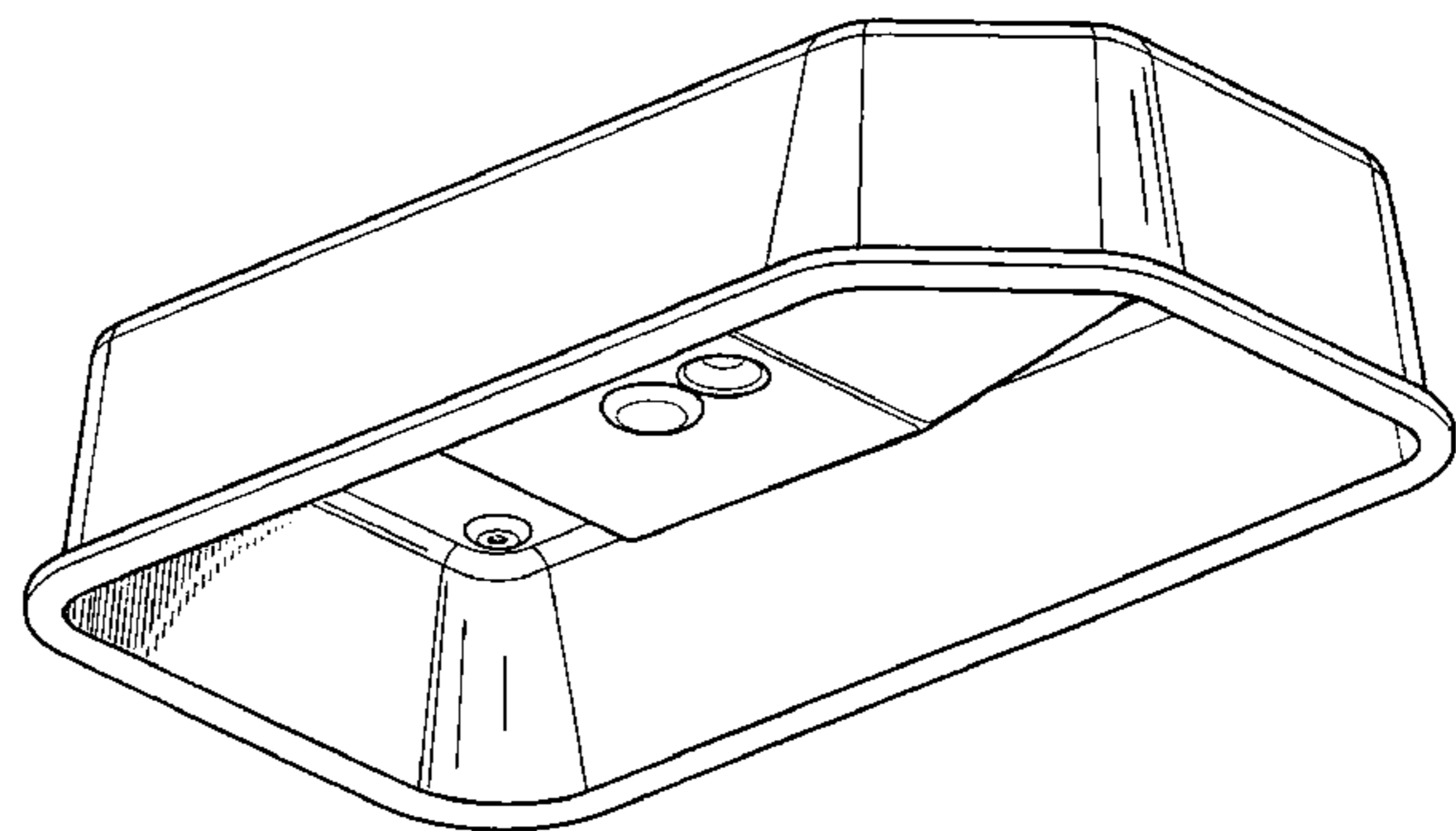
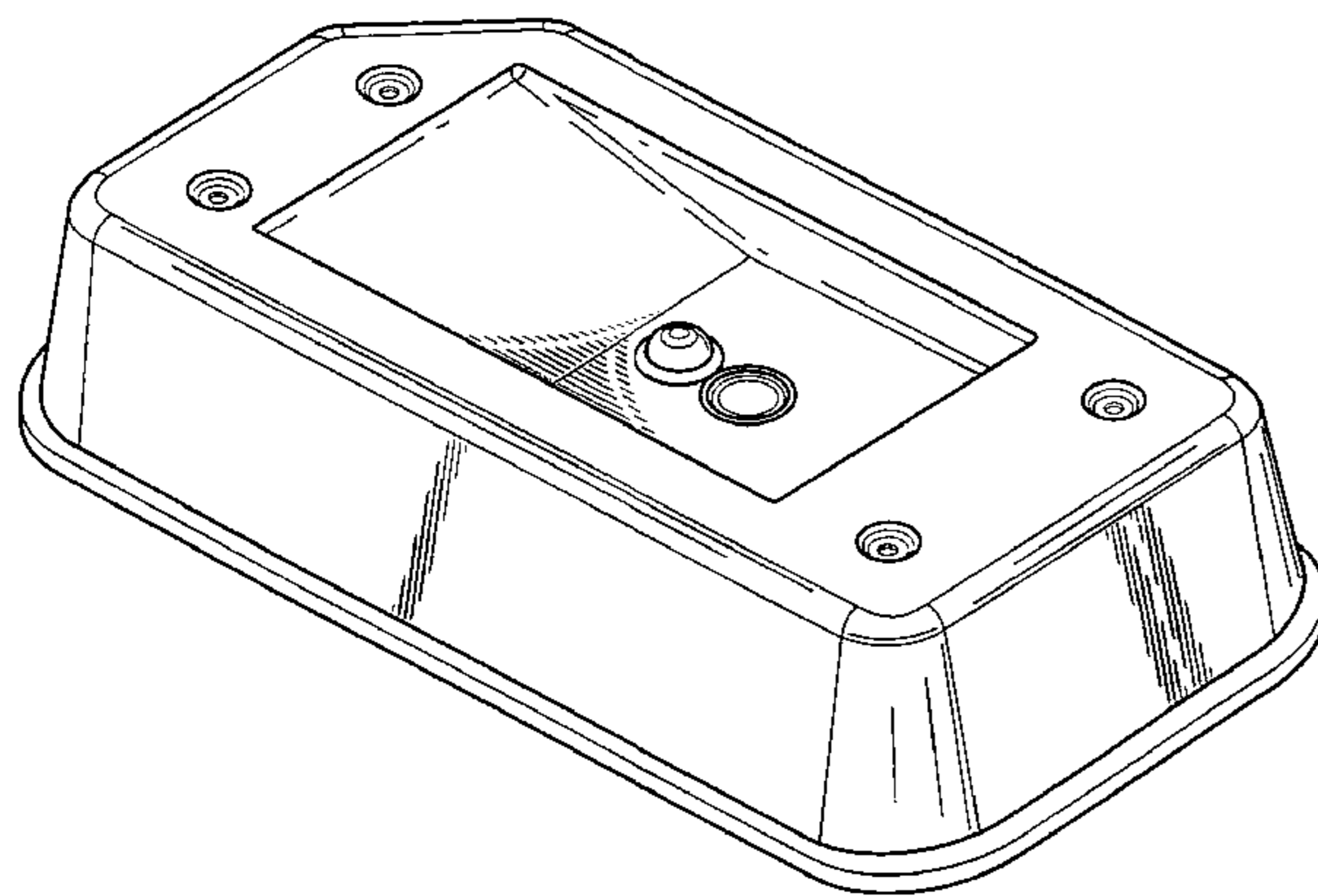
FIG. 5 is a left side view of the container;

FIG. 6 is a right side view of the container;

FIG. 7 is a top view of the container; and,

FIG. 8 is a bottom view of the container.

1 Claim, 5 Drawing Sheets



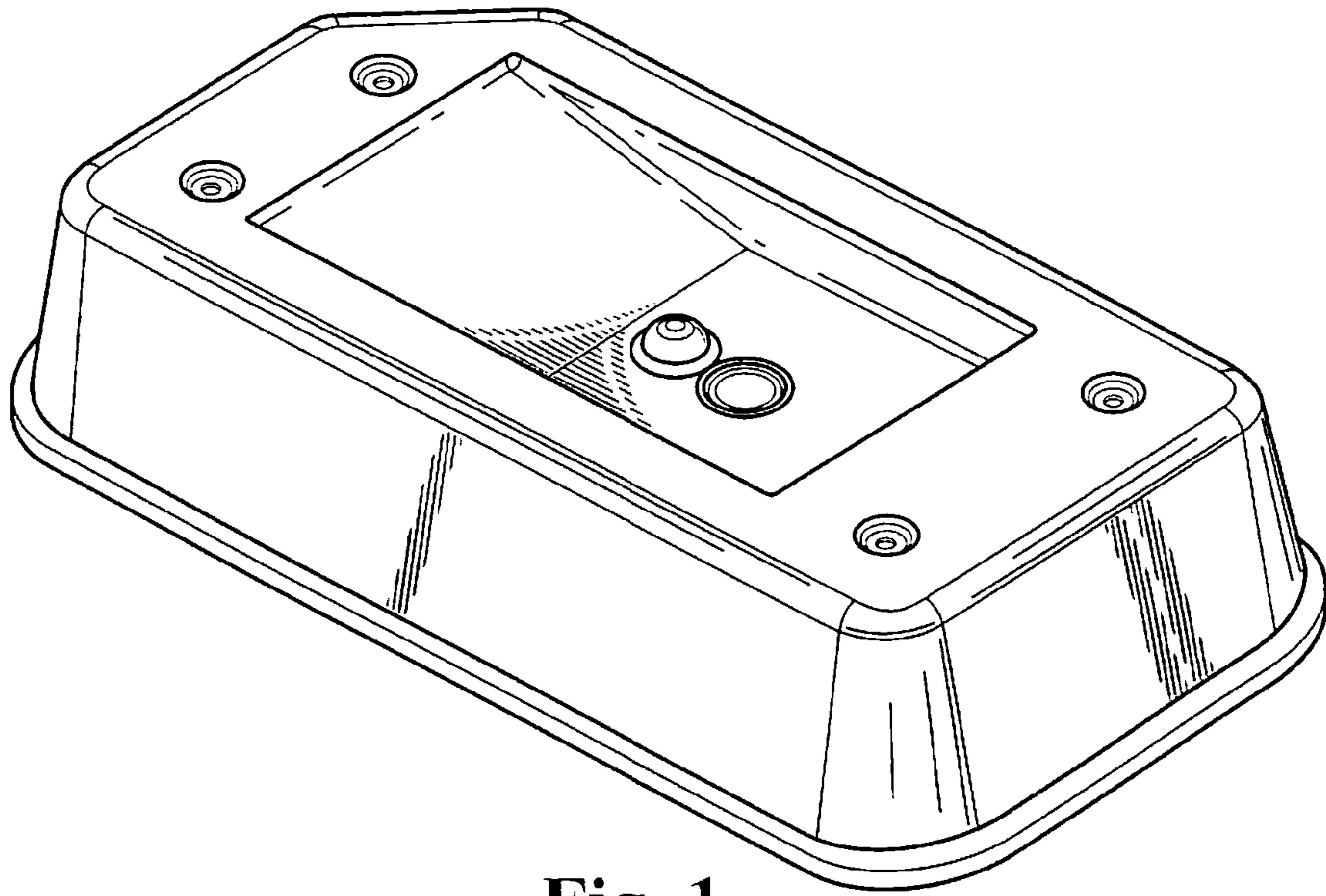


Fig. 1

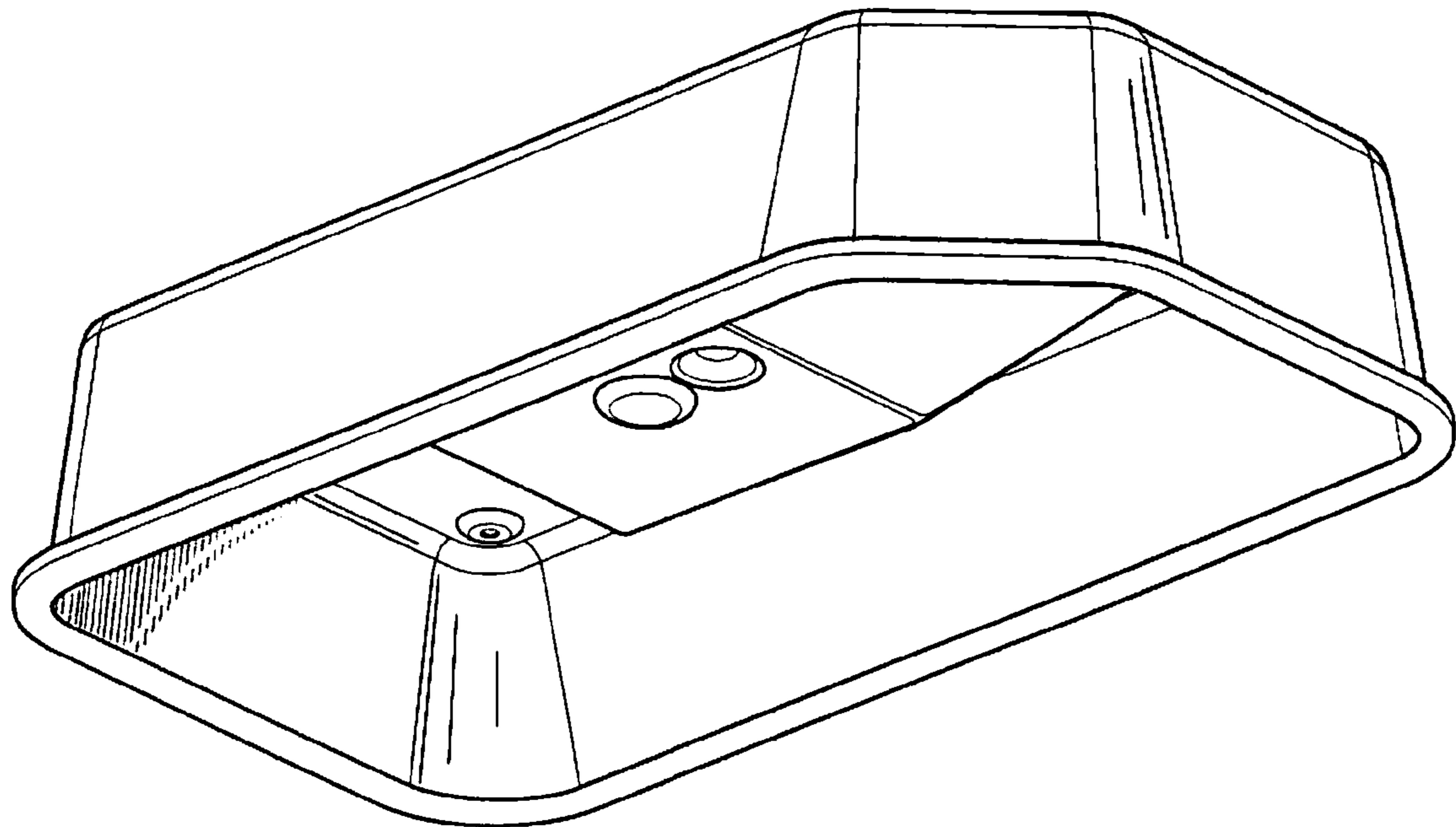


Fig. 2

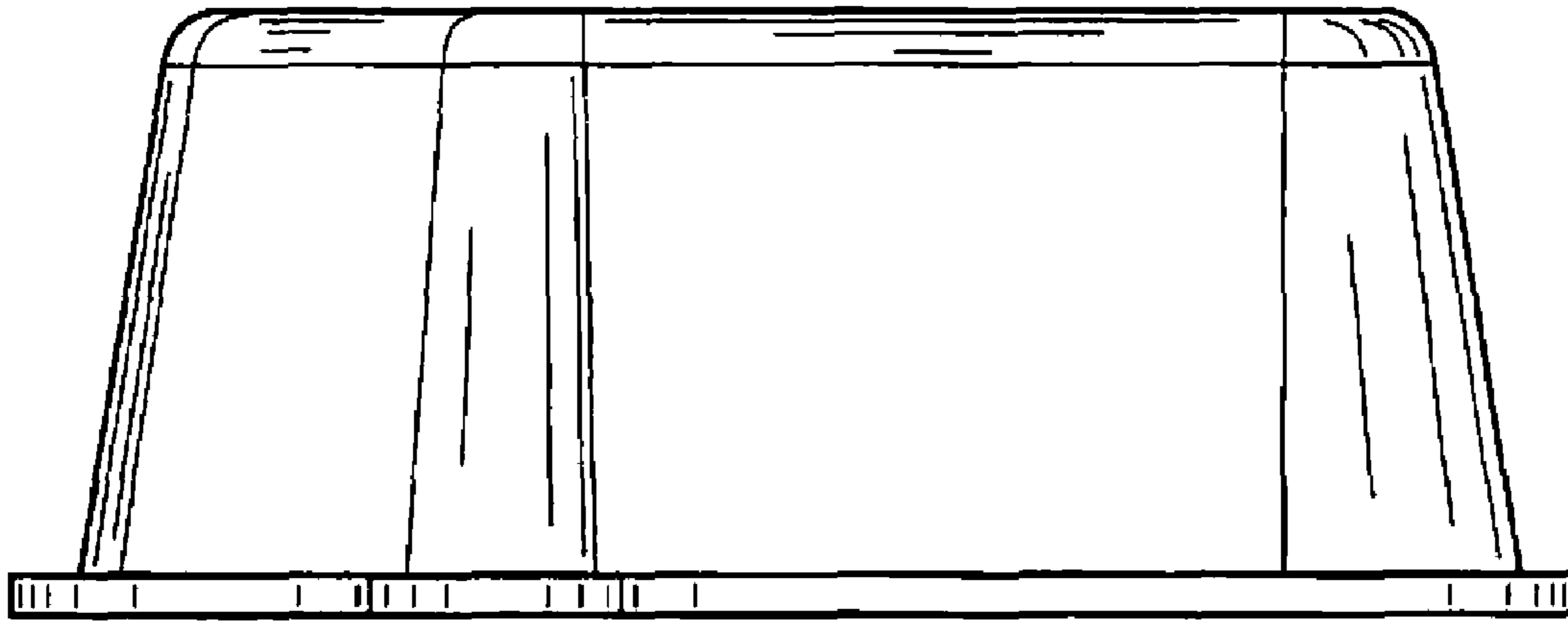


Fig. 3

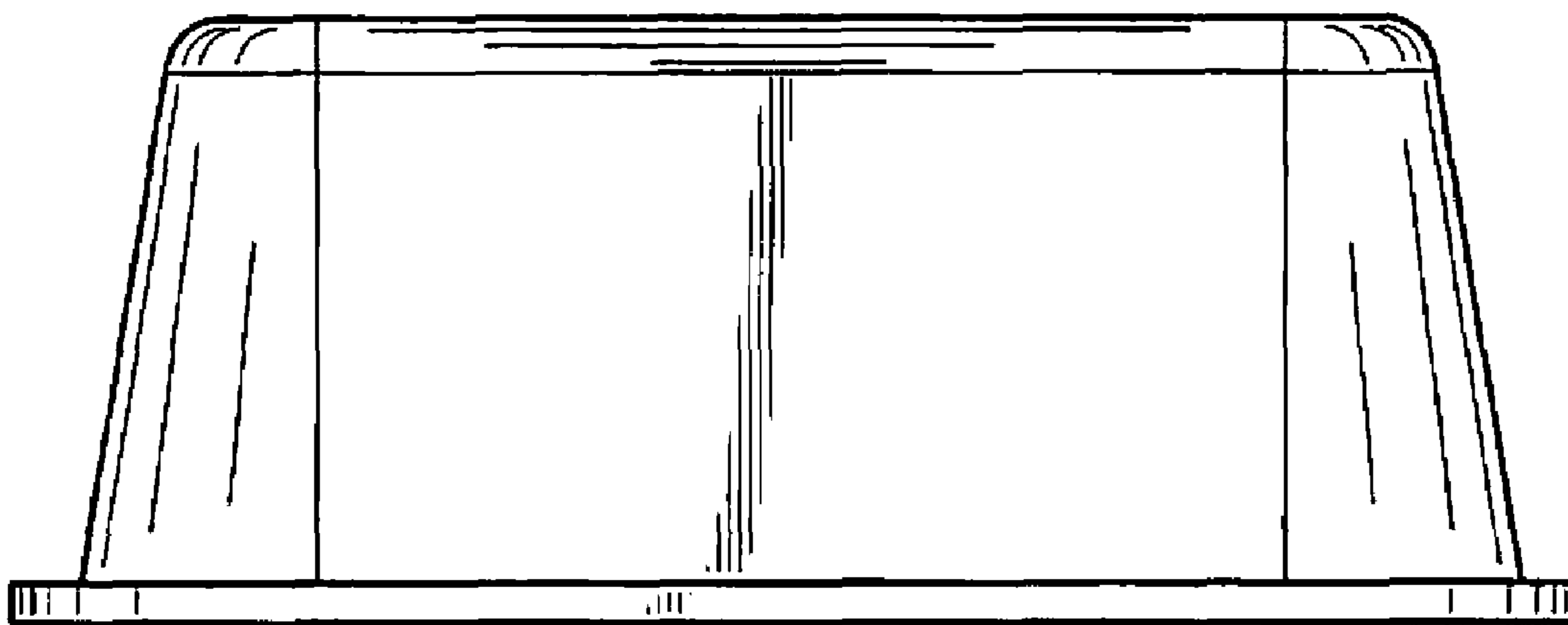


Fig. 4

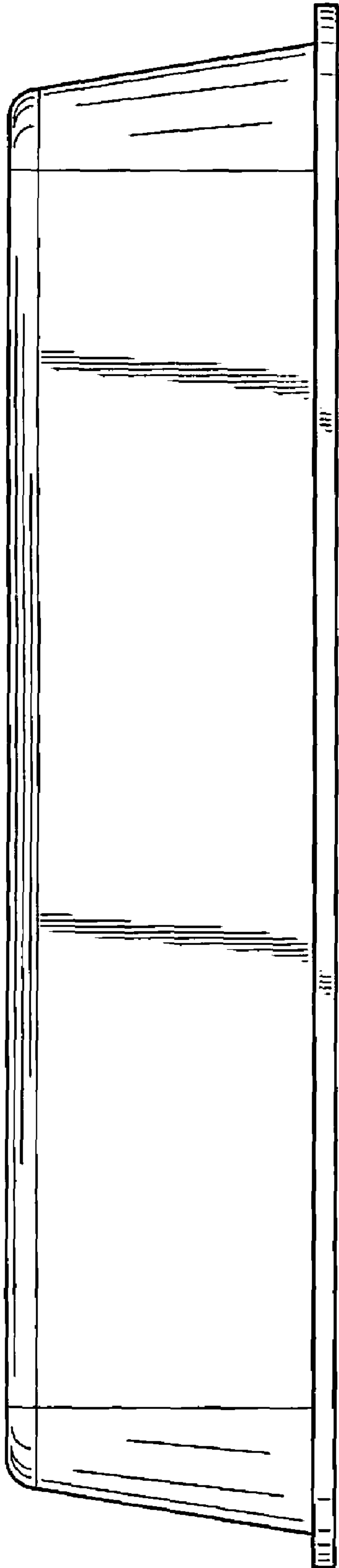


Fig. 5

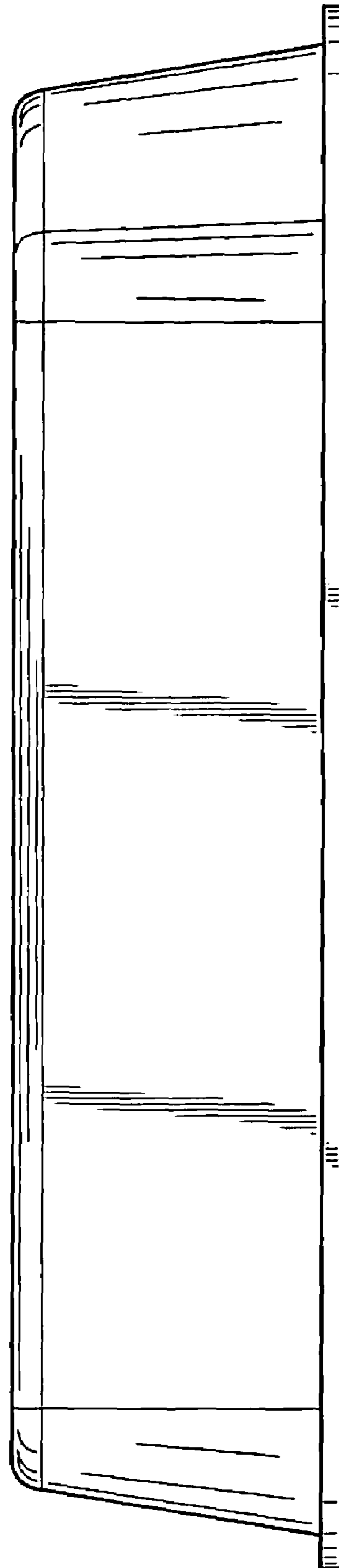


Fig. 6

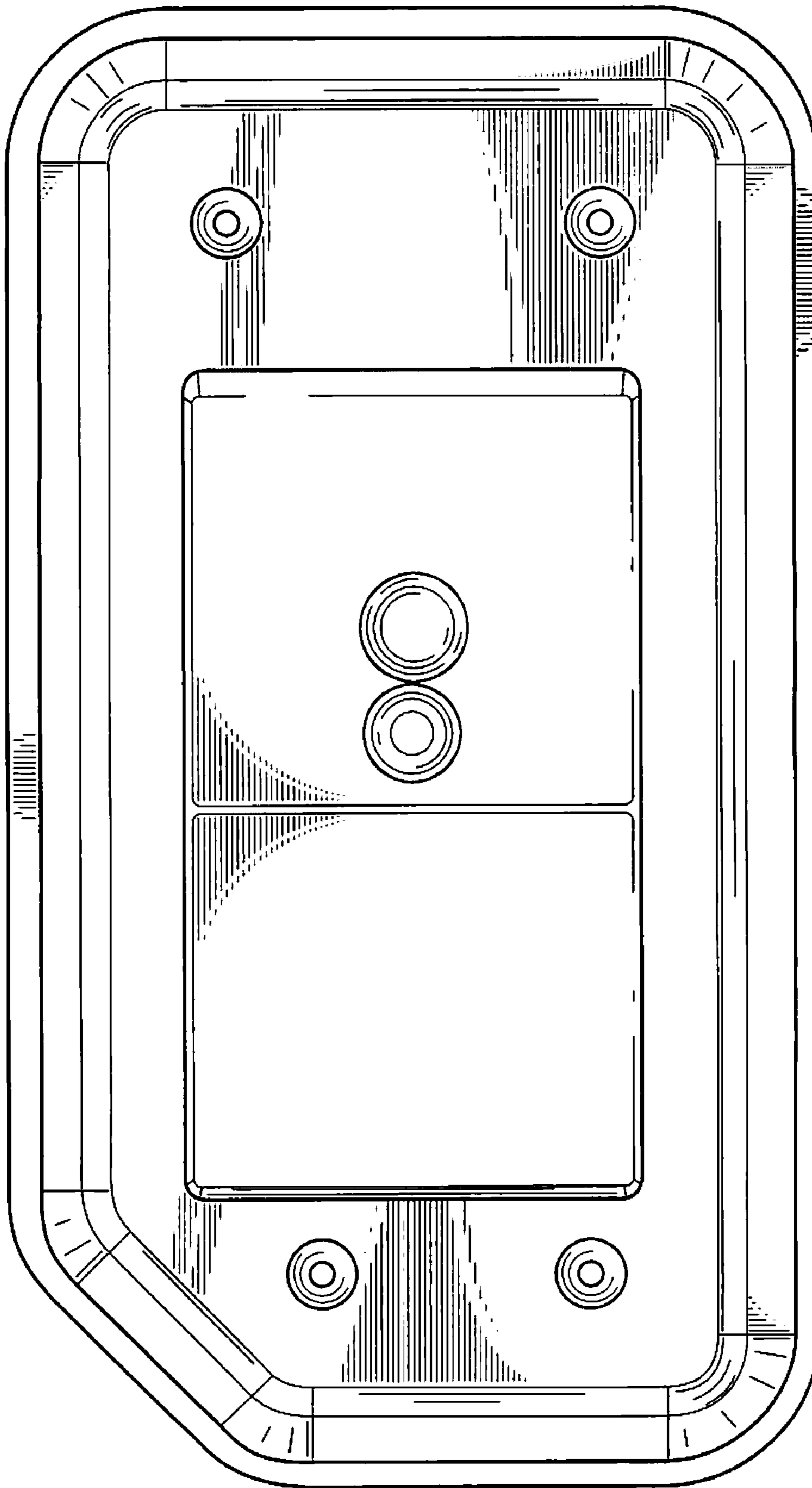


Fig. 7

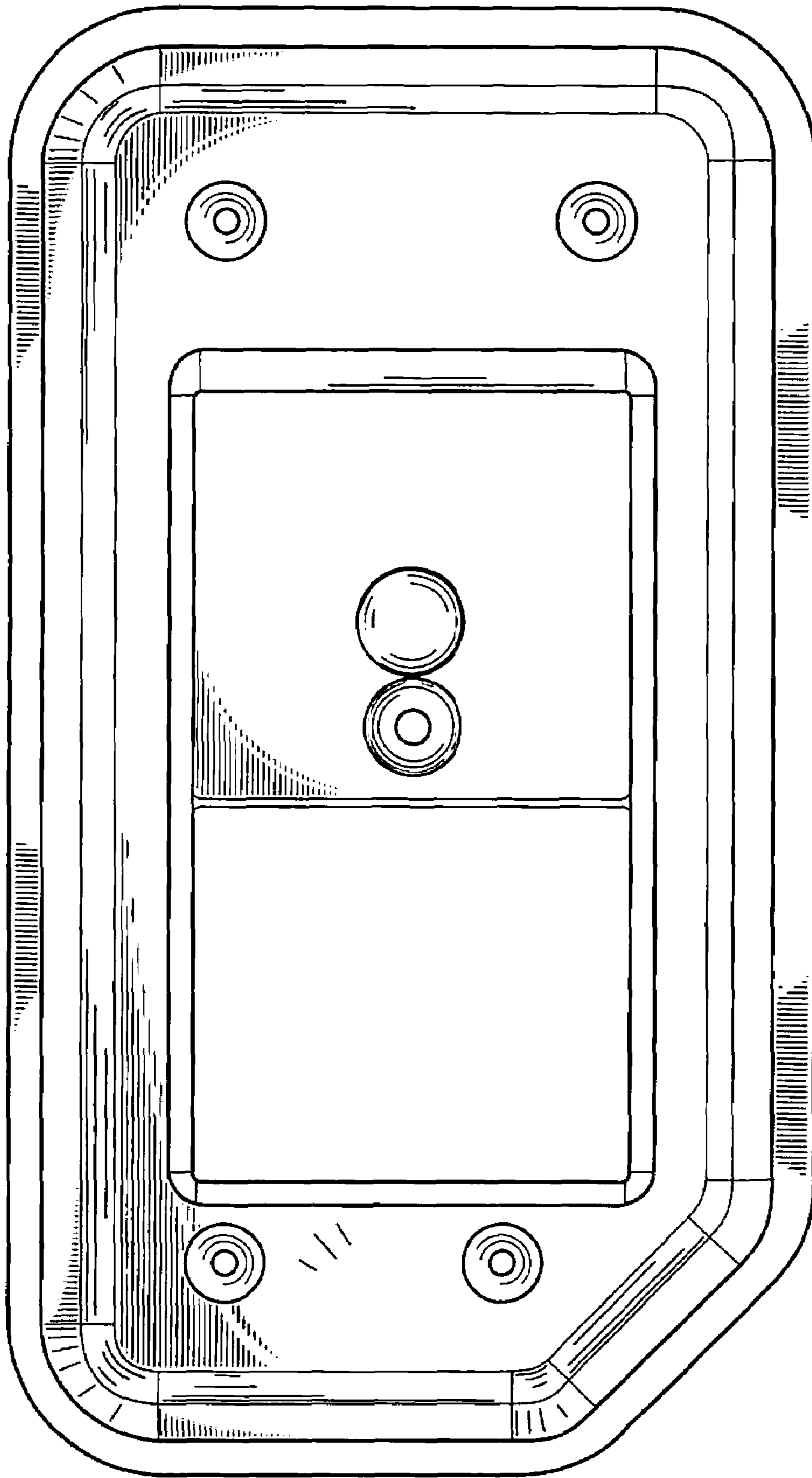


Fig. 8