



US00D564348S

(12) **United States Design Patent**  
**Kutsch et al.**

(10) **Patent No.:** **US D564,348 S**  
(45) **Date of Patent:** **\*\* Mar. 18, 2008**

(54) **CONTAINER**

(75) Inventors: **John H Kutsch**, Crystal Lake, IL (US);  
**Rutger Thiellier**, Chicago, IL (US);  
**Andrew Vest**, Midlothian, VA (US)

(73) Assignee: **Philip Morris USA Inc.**, Richmond,  
VA (US)

(\*\*) Term: **14 Years**

(21) Appl. No.: **29/274,676**

(22) Filed: **May 15, 2007**

5,082,137 A	1/1992	Weinstein
5,275,291 A	1/1994	Sledge
D352,895 S	11/1994	van Loo
D371,723 S	7/1996	Hirao
D407,972 S	4/1999	Hilton
D446,718 S	8/2001	Anderson
D448,668 S	10/2001	Baerenwald et al.
D451,799 S	12/2001	Berger et al.
6,341,693 B2	1/2002	Konno et al.
6,341,710 B1	1/2002	Danielson et al.
D460,352 S	7/2002	Bried
D464,567 S	10/2002	Baerenwald et al.
D465,729 S	11/2002	Nishimura

**Related U.S. Application Data**

(62) Division of application No. 29/234,325, filed on Jul. 18, 2005, now Pat. No. Des. 545,185.

(51) **LOC (8) Cl.** ..... **09-03**

(52) **U.S. Cl.** ..... **D9/420**

(58) **Field of Classification Search** ..... D9/414,  
D9/417, 420-435, 440, 447, 499, 760-770,  
D9/756; 206/37, 494, 527, 499-502, 457;  
220/620, 656, 659, 669, 765, 890; 229/400-404,  
229/915, 939, 116.5, 201, 100, 123-126,  
229/188; D28/82, 91.1

See application file for complete search history.

(56) **References Cited**

**U.S. PATENT DOCUMENTS**

1,354,211 A	9/1920	Reed
1,985,335 A	12/1934	Bloss
4,076,117 A	2/1978	Wisdom et al.
4,113,098 A	9/1978	Howard
4,126,244 A	11/1978	Elser
4,174,034 A	11/1979	Hoo
D255,038 S *	5/1980	Itakura ..... D21/385
4,364,488 A	12/1982	Anjou
4,485,915 A	12/1984	Berghahn
4,561,544 A	12/1985	Reeve
4,844,284 A	7/1989	Drozd et al.
4,932,547 A	6/1990	Rodriguez
5,080,222 A	1/1992	McNary

(Continued)

**OTHER PUBLICATIONS**

“How to Revel,” <http://www.revel.com/How.aspx>, copyright dated 2005.

*Primary Examiner*—Daniel Bui

*Assistant Examiner*—Thomas J Johannes

(74) *Attorney, Agent, or Firm*—Buchanan Ingersoll & Rooney, PC

(57) **CLAIM**

The ornamental design for a container, as shown and described.

**DESCRIPTION**

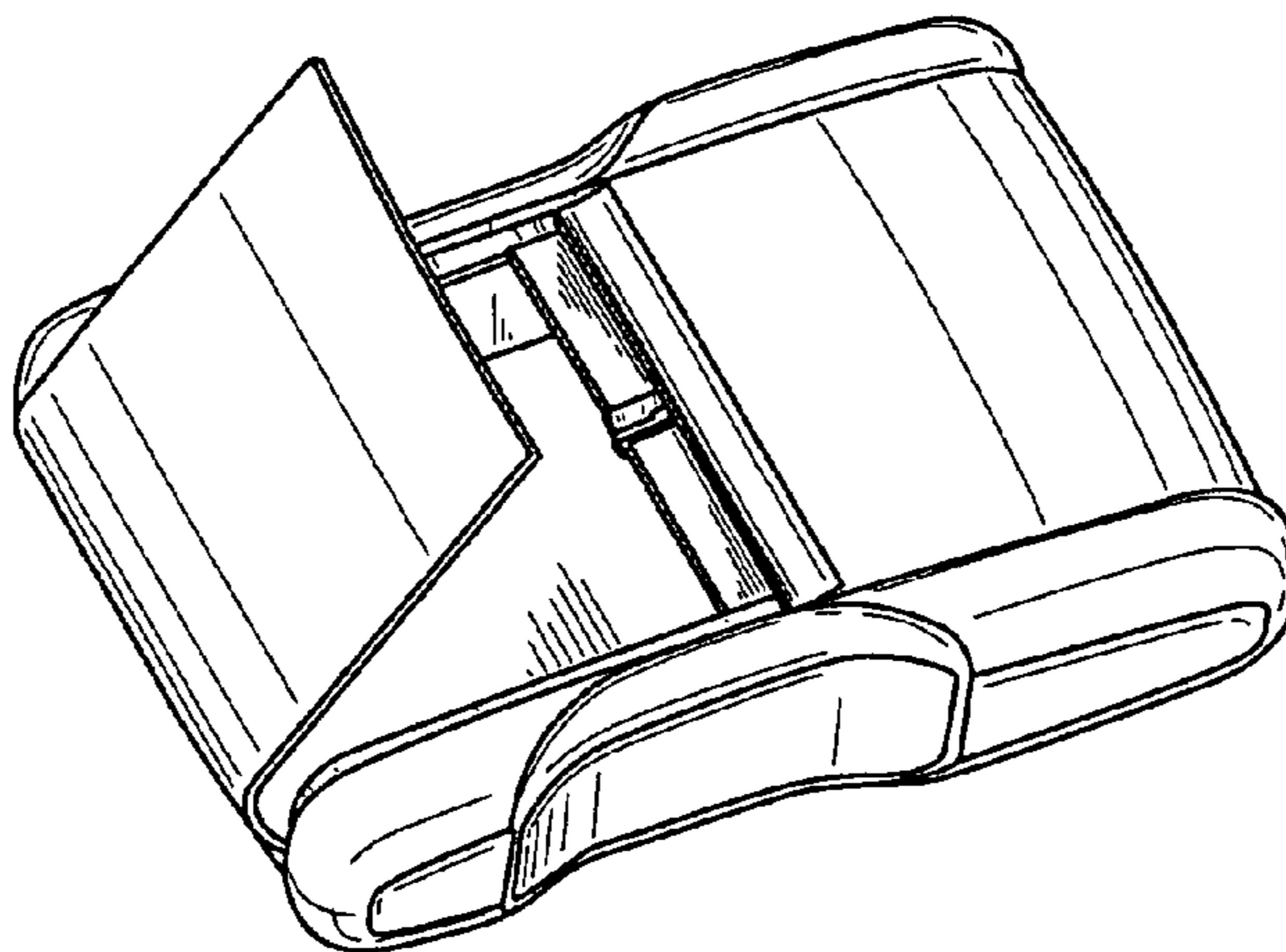
FIG. 1 is a front, right side and top perspective view of a container showing my new design in a closed position, the other side being a mirror image thereof.

FIG. 2 is a front, right side and top perspective view thereof in a partially open position, the other side being a mirror image thereof.

FIG. 3 is a top plan view thereof; and,

FIG. 4 is a bottom plan view thereof.

**1 Claim, 2 Drawing Sheets**



# US D564,348 S

Page 2

## U.S. PATENT DOCUMENTS

D467,801 S	12/2002	Baerenwald et al.	D539,641 S *	4/2007	Tanner	.....	D9/424
D474,402 S	5/2003	Baerenwald	D541,146 S *	4/2007	Cale et al.	.....	D9/421
D478,280 S	8/2003	Miller et al.	D542,648 S *	5/2007	Gagne	.....	D9/423
D494,466 S	8/2004	Devine	D545,185 S *	6/2007	Kutsch et al.	.....	D9/420
D497,246 S	10/2004	Darst	D545,563 S *	7/2007	Margiotta	.....	D3/203.3
D497,803 S	11/2004	Nichols et al.	D546,174 S *	7/2007	Kutsch et al.	.....	D9/420
6,981,591 B2	1/2006	Logan	D546,671 S *	7/2007	Cronin et al.	.....	D9/420
D531,023 S	10/2006	Tanner	D547,647 S *	7/2007	Kutsch et al.	.....	D9/420
D534,068 S *	12/2006	Tanner	D547,648 S *	7/2007	Solowiejko	.....	D9/421
D535,186 S *	1/2007	Tanner	.....	2004/0173613 A1	9/2004	Schroeder et al.	

\* cited by examiner

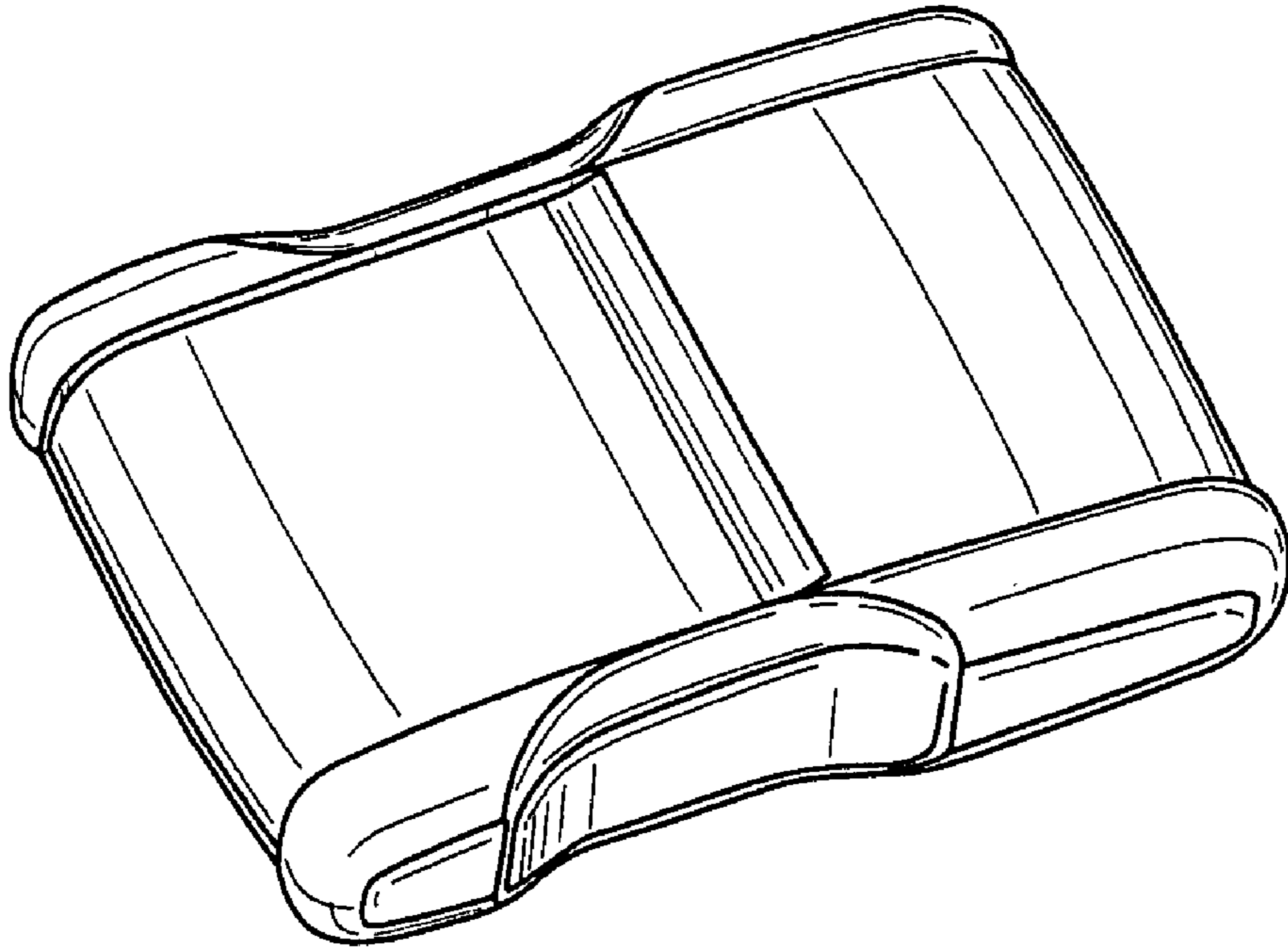


FIG. 1

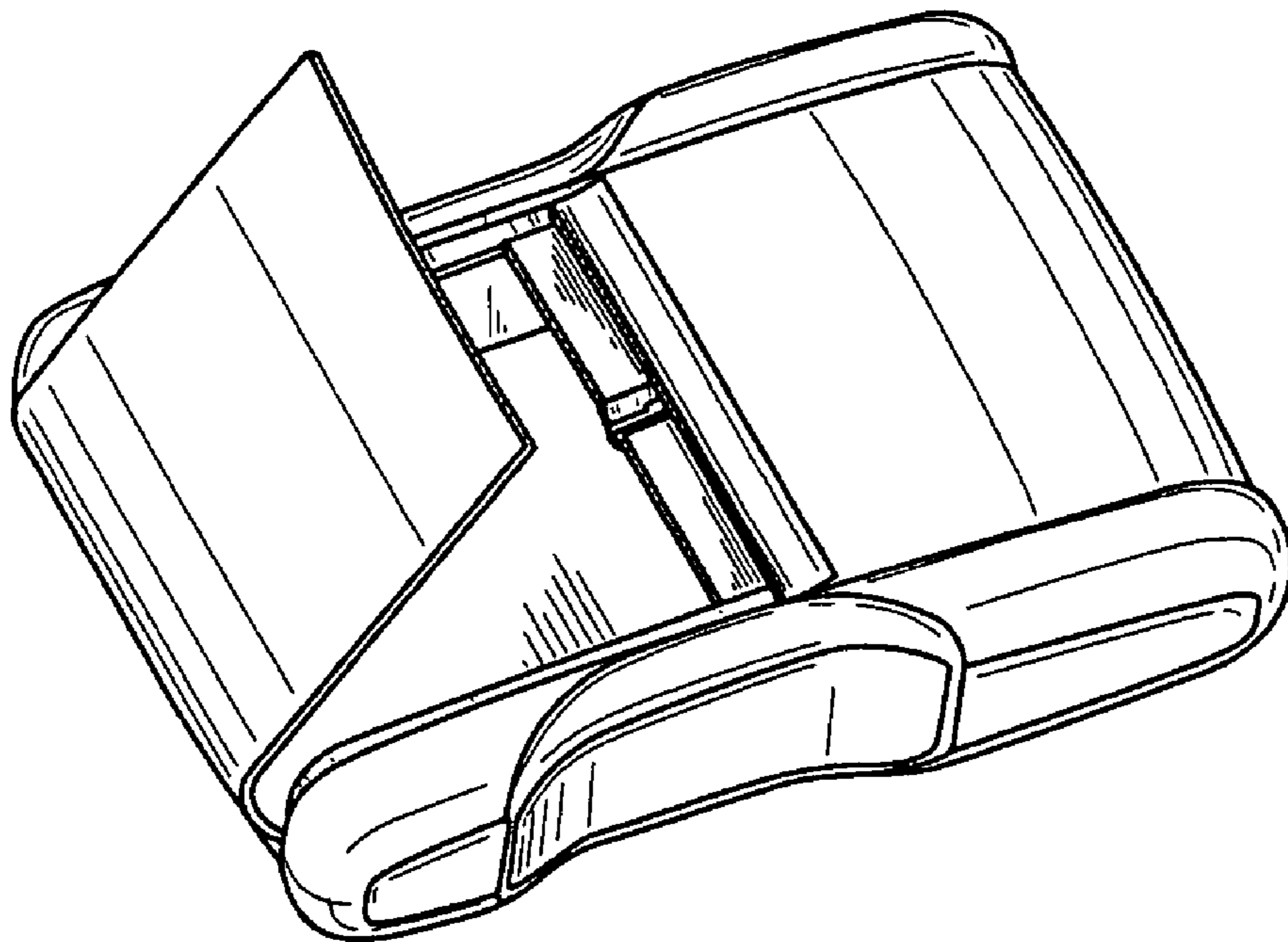


FIG. 2

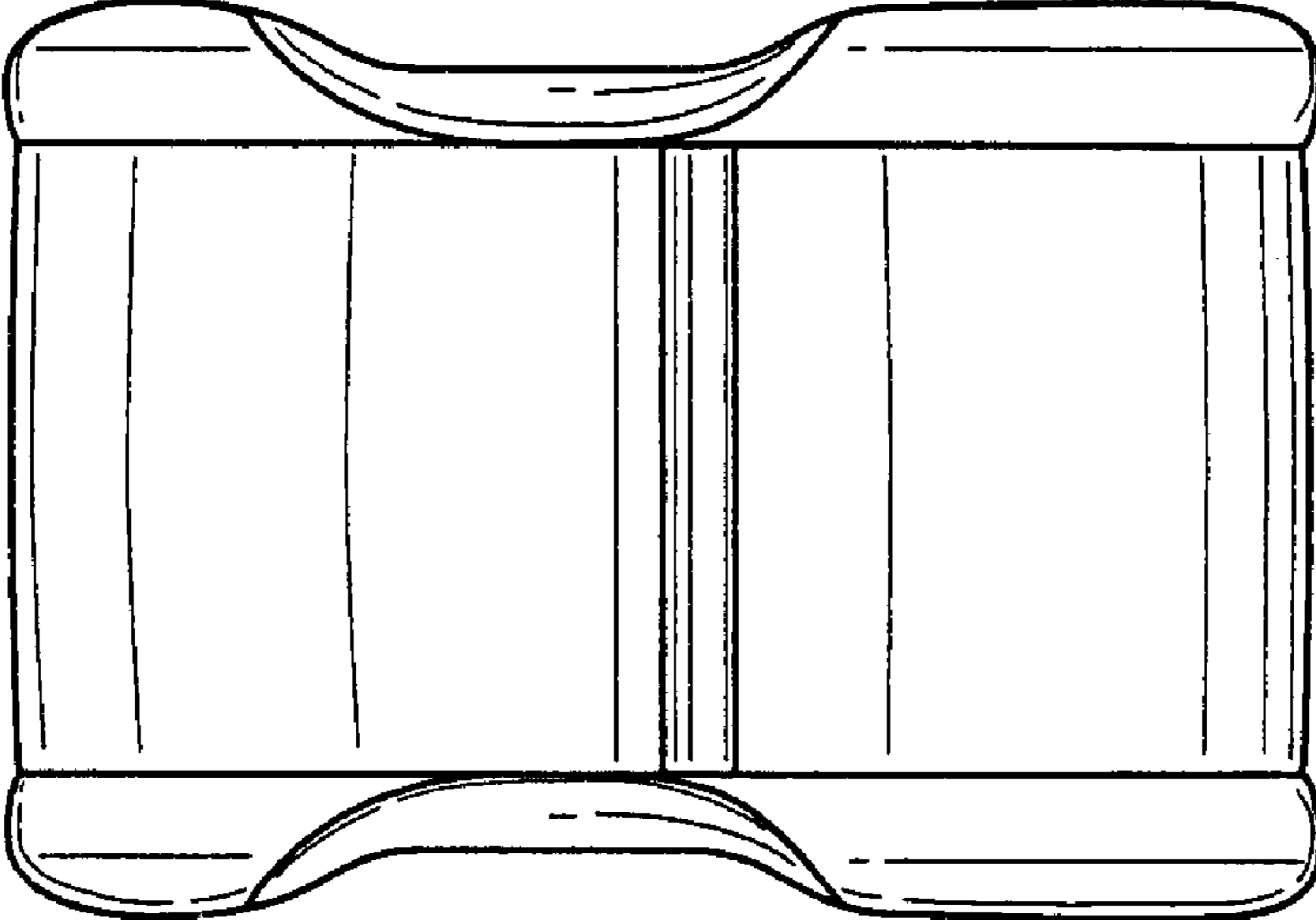


FIG. 3

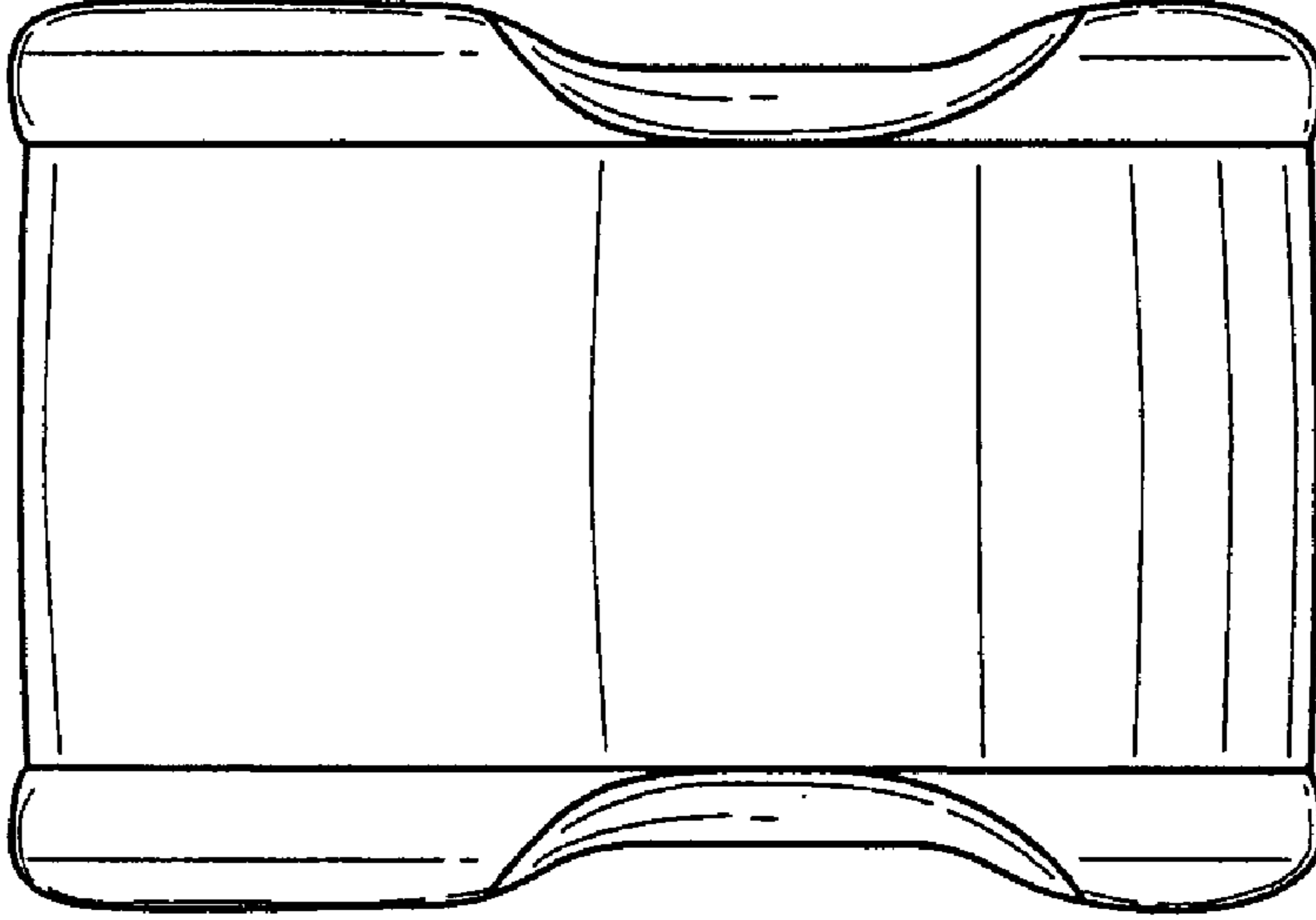


FIG. 4