

US00D564344S

(12) **United States Design Patent** (10) **Patent No.:** **US D564,344 S**  
**Nakazato** (45) **Date of Patent:** **\*\* Mar. 18, 2008**

(54) **FIXING ARTICLE FOR AUTOMOBILE PARTS**

(75) Inventor: **Hiroshi Nakazato**, Kanagawa-ken (JP)

(73) Assignee: **Piolax, Inc.**, Yokohama-Shi, Kanagawa-Ken (JP)

(\*\*) Term: **14 Years**

(21) Appl. No.: **29/266,694**

(22) Filed: **Sep. 27, 2006**

(30) **Foreign Application Priority Data**

Mar. 28, 2006 (JP) ..... 2006-007765

(51) **LOC (8) Cl.** ..... **08-08**

(52) **U.S. Cl.** ..... **D8/382**

(58) **Field of Classification Search** ..... D8/382, D8/383, 384, 385, 386; 24/297, 453; 411/508, 411/509

See application file for complete search history.

(56) **References Cited**

**U.S. PATENT DOCUMENTS**

D293,882	S	*	1/1988	Takahashi	.....	D8/386
D293,883	S	*	1/1988	Hirohata	.....	D8/386
D293,884	S	*	1/1988	Hirohata	.....	D8/386
D297,613	S	*	9/1988	Yokoyama et al.	.....	D8/382
D297,614	S	*	9/1988	Yokoyama et al.	.....	D8/382
D297,615	S	*	9/1988	Nakama	.....	D8/382
D354,219	S	*	1/1995	Shimajiri	.....	D8/382
D355,113	S	*	2/1995	Shimajiri	.....	D8/382
5,592,719	A	*	1/1997	Eto et al.	.....	24/453
D378,349	S	*	3/1997	Saito et al.	.....	D8/382
D380,667	S	*	7/1997	Kanamori et al.	.....	D8/382

D381,258	S	*	7/1997	Saito	.....	D8/382
5,651,634	A	*	7/1997	Kraus	.....	403/408.1
D382,466	S	*	8/1997	Hirose	.....	D8/382
D382,468	S	*	8/1997	Takahashi	.....	D8/382
D390,776	S	*	2/1998	Ueno	.....	D8/382
D456,699	S	*	5/2002	Nakanishi	.....	D8/382
D464,873	S	*	10/2002	Nemoto	.....	D8/382
D487,394	S	*	3/2004	Romita	.....	D8/382
2007/0186389	A1	*	8/2007	Smith et al.	.....	24/297

\* cited by examiner

*Primary Examiner*—Holly H. Baynham

*Assistant Examiner*—Sheryl Friedman

(74) *Attorney, Agent, or Firm*—McGinn IP Law Group, PLLC

(57) **CLAIM**

The ornamental design for a fixing article for automobile parts, as shown and described.

**DESCRIPTION**

FIG. 1 is a perspective view of the front, left and top of a fixing article for automobile parts showing my new design;

FIG. 2 is a front view thereof;

FIG. 3 is a rear view thereof;

FIG. 4 is a right side view thereof;

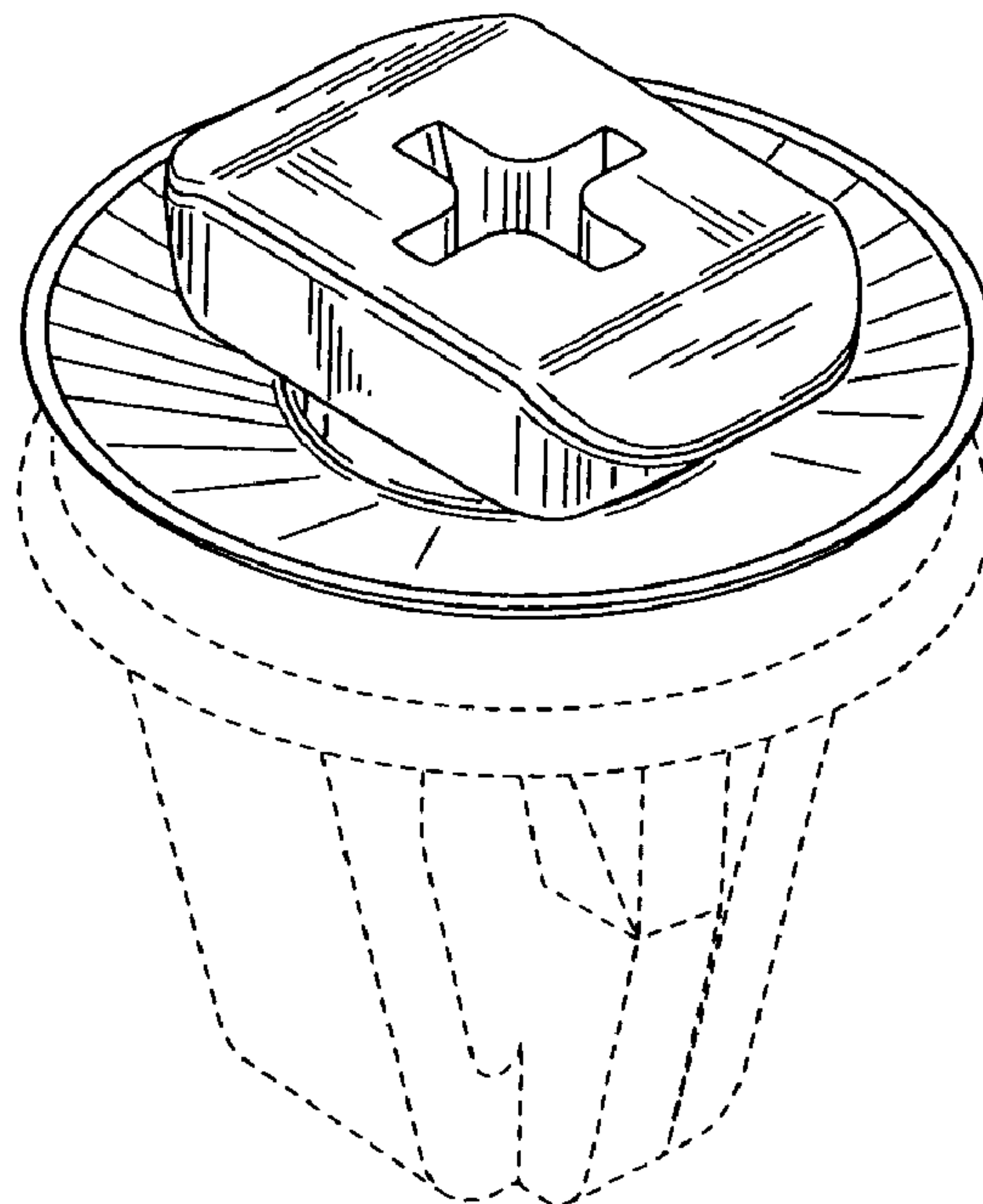
FIG. 5 is a left side view thereof;

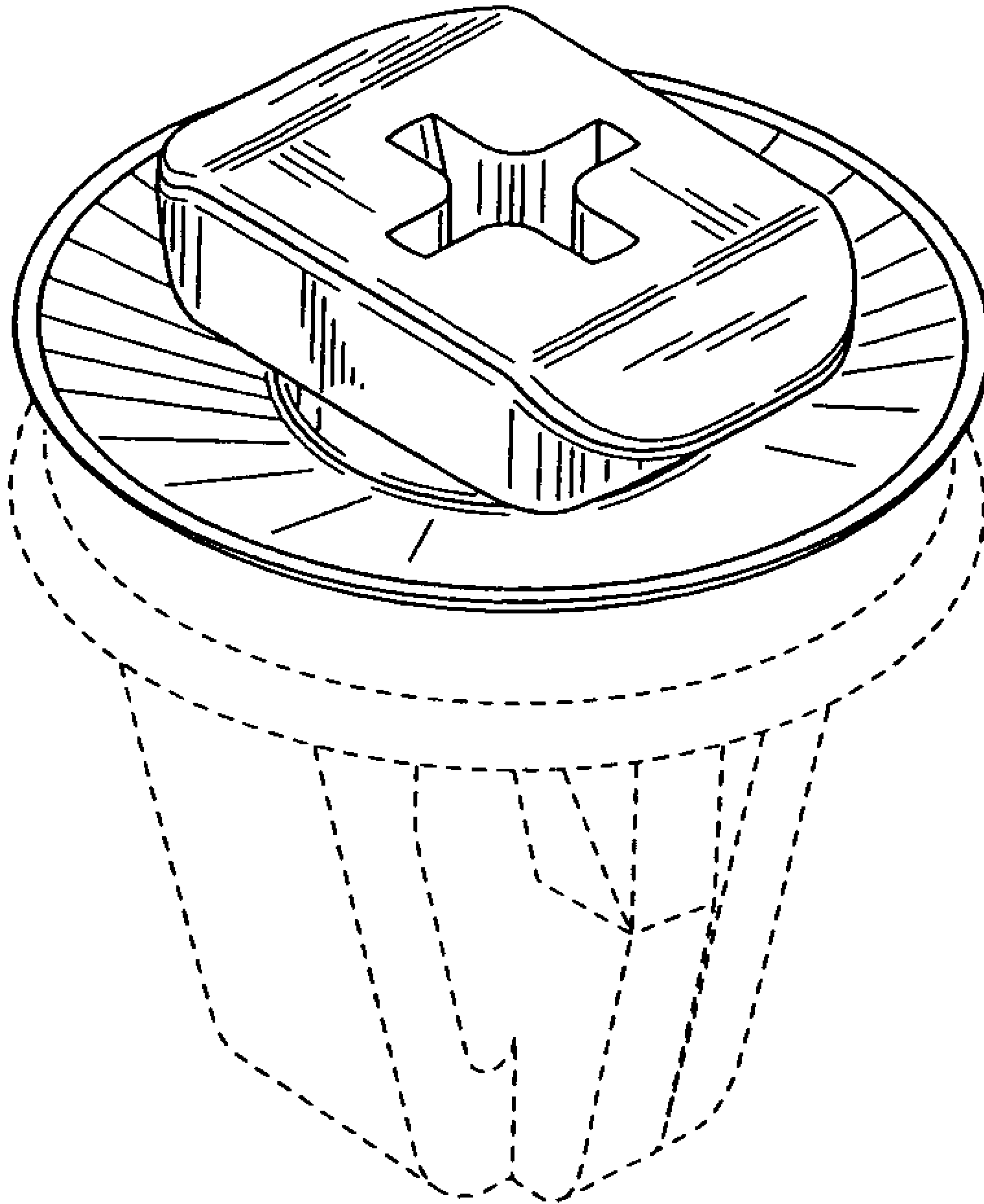
FIG. 6 is a top plan view thereof; and,

FIG. 7 is a bottom thereof.

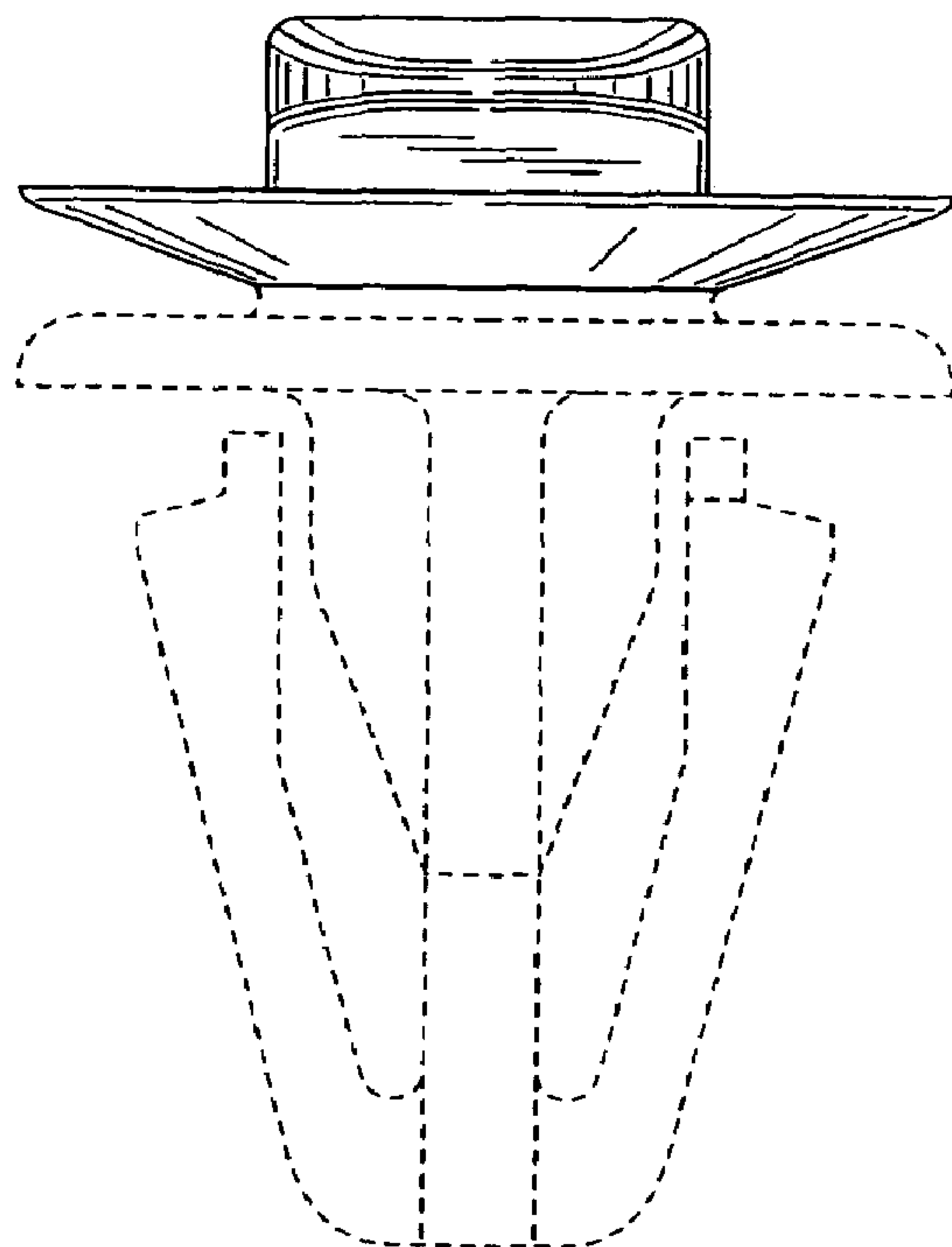
The elements shown in broken lines are for illustrative purposes only and form no part of the claimed design.

**1 Claim, 4 Drawing Sheets**

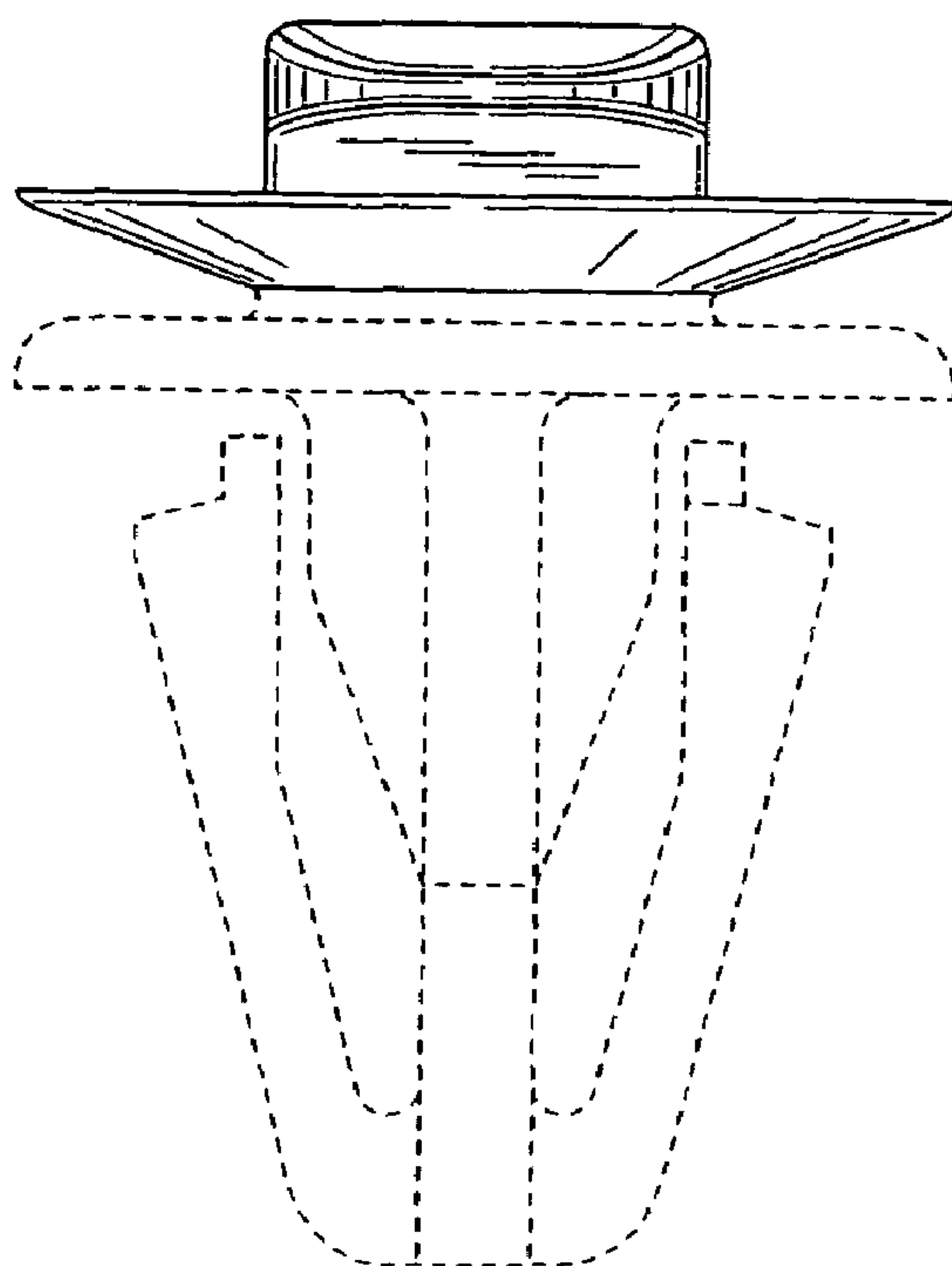




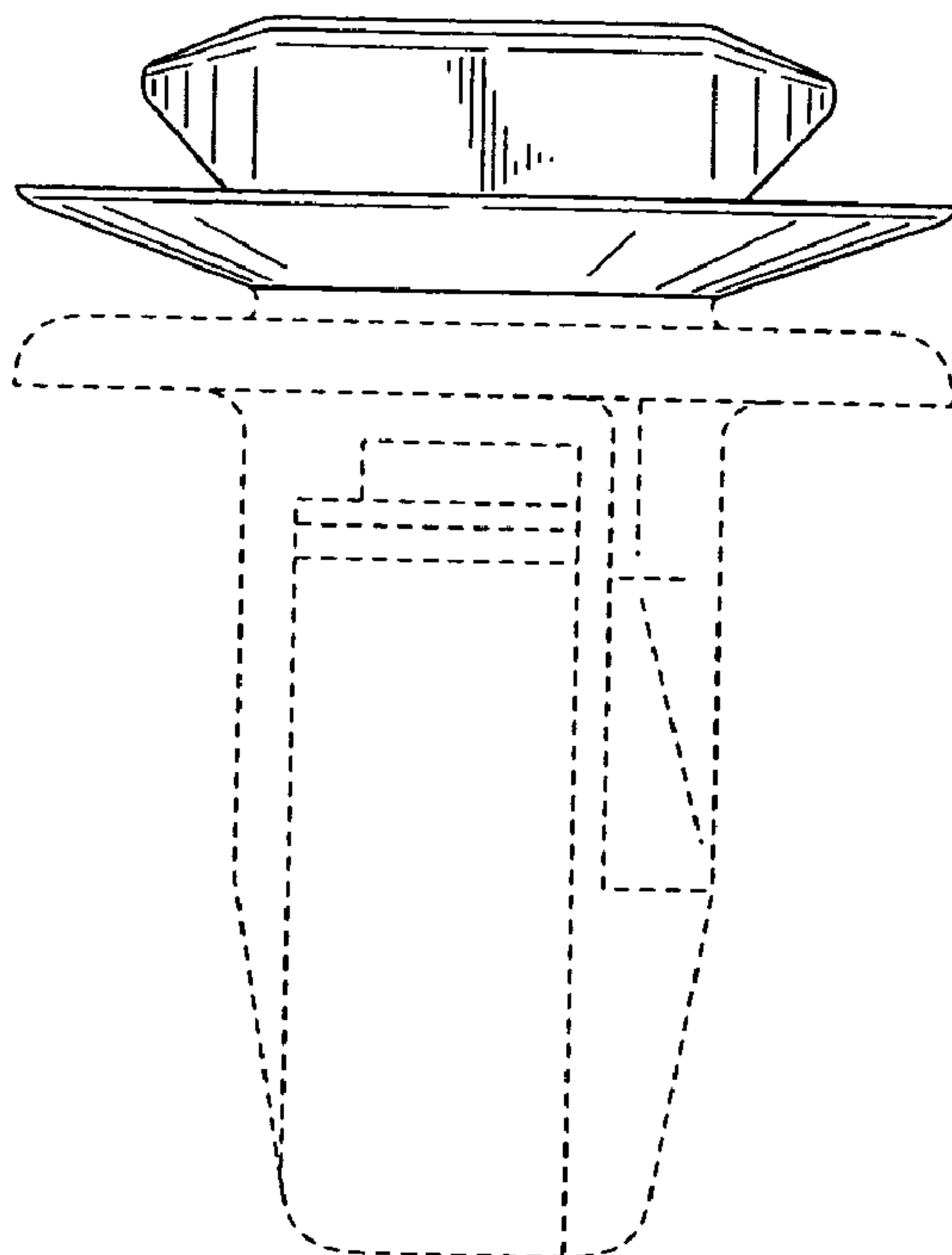
**FIG. 1**



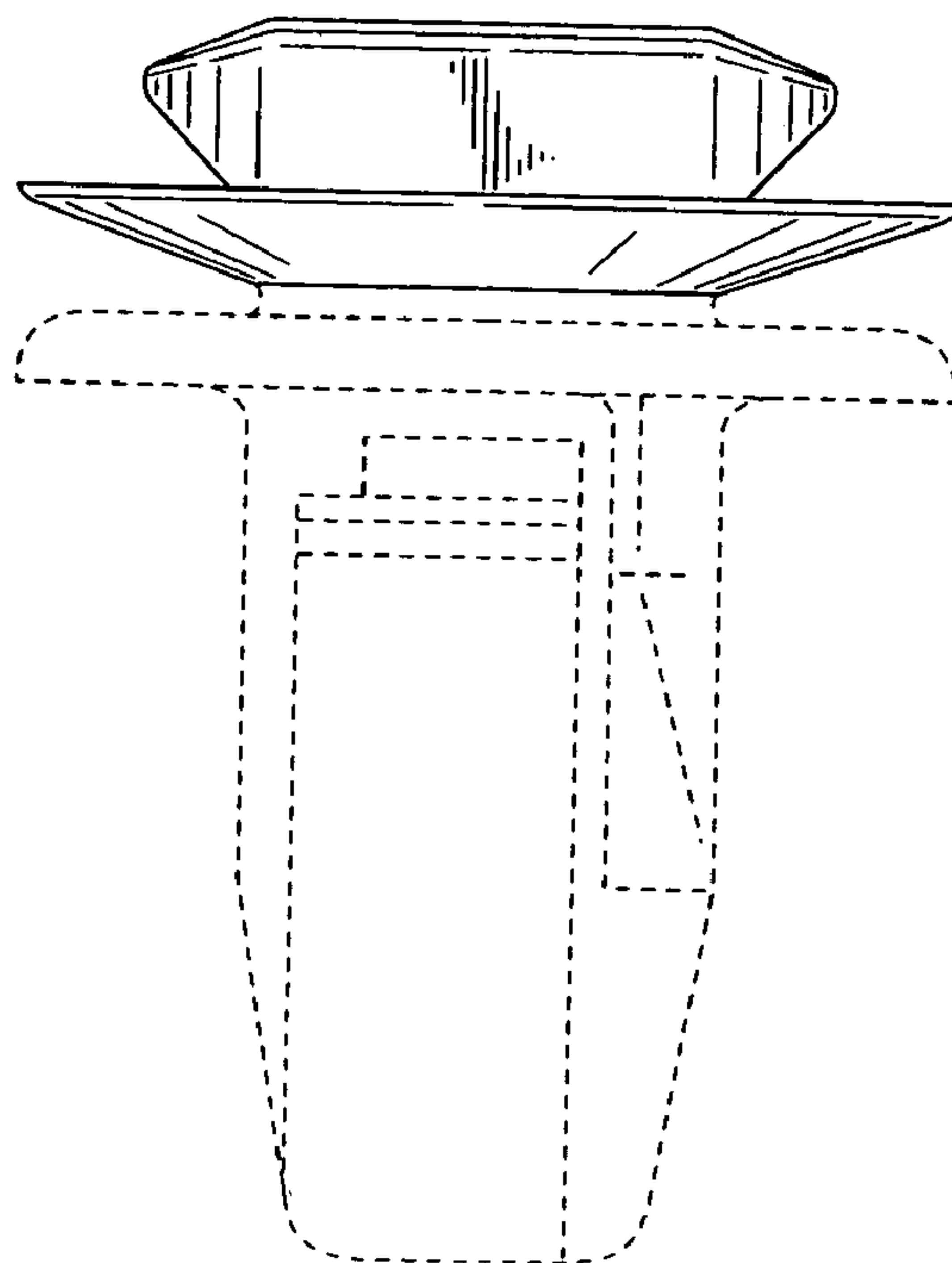
*FIG. 2*



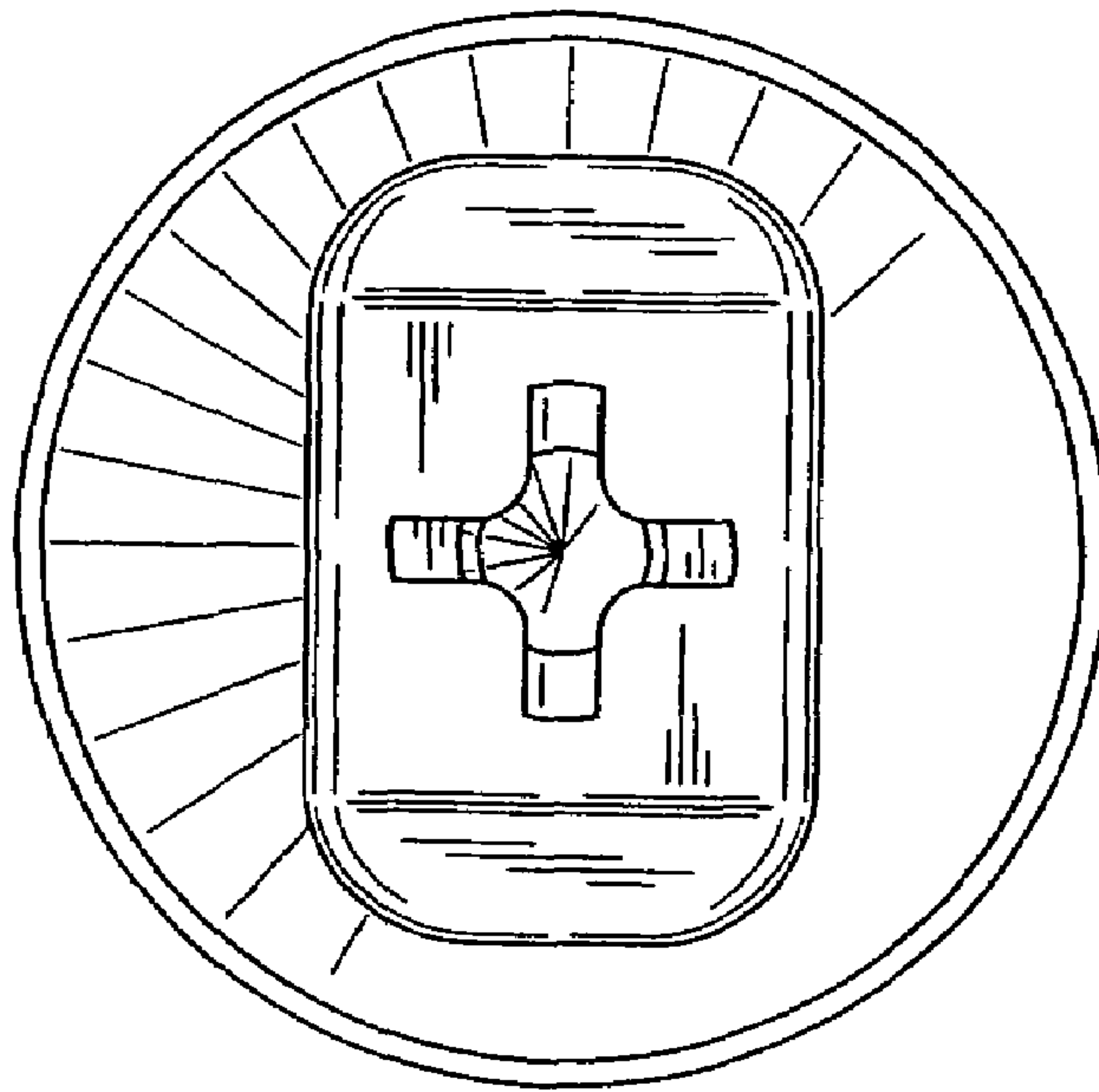
*FIG. 3*



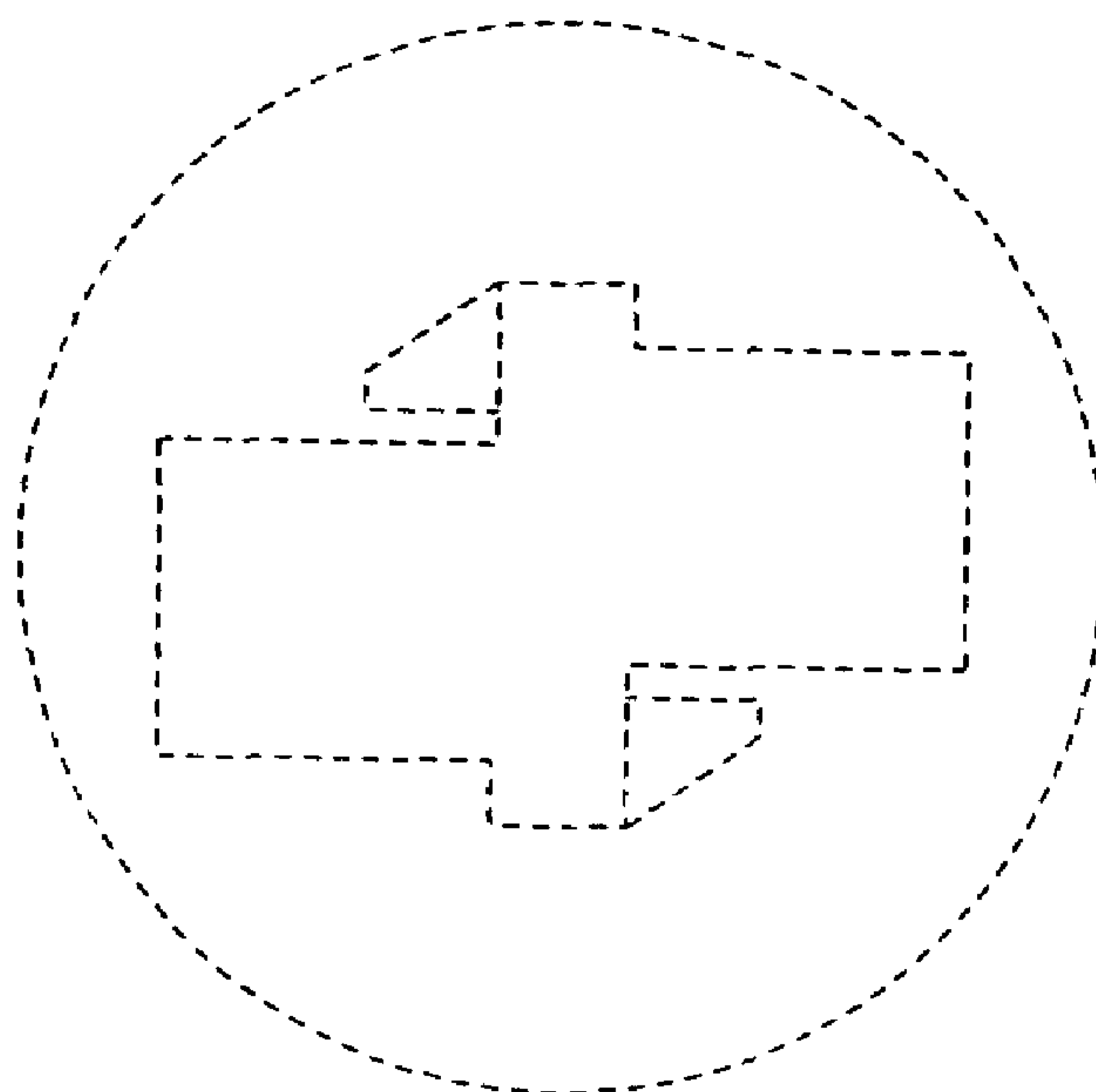
*FIG. 4*



*FIG. 5*



**FIG. 6**



**FIG. 7**