



US00D564343S

(12) **United States Design Patent**  
**Zakowski**

(10) **Patent No.:** **US D564,343 S**

(45) **Date of Patent:** **\*\* Mar. 18, 2008**

(54) **BRACKET**

6,981,539 B2 1/2006 Fraczek

(75) Inventor: **Joseph Zakowski**, New Cannan, CT  
(US)

\* cited by examiner

*Primary Examiner*—Holly H. Baynham

(73) Assignee: **Rollease, Inc.**, Stamford, CT (US)

(74) *Attorney, Agent, or Firm*—Gottlieb, Rackman &  
Reisman

(\*\*) Term: **14 Years**

(57) **CLAIM**

(21) Appl. No.: **29/283,811**

The ornamental design for a bracket, as shown and  
described.

(22) Filed: **Aug. 24, 2007**

(51) **LOC (8) Cl.** ..... **08-05**

(52) **U.S. Cl.** ..... **D8/363**

(58) **Field of Classification Search** ..... D8/363,  
D8/354; 248/261–262; 160/323.1, 178.1 R,  
160/243

See application file for complete search history.

**DESCRIPTION**

(56) **References Cited**

**U.S. PATENT DOCUMENTS**

2,590,446	A *	3/1952	Murphy	.....	248/262
4,623,012	A	11/1986	Rude et al.		
4,729,418	A *	3/1988	Rude	.....	160/323.1
D406,050	S *	2/1999	DeSouza	.....	D8/363
6,202,967	B1	3/2001	Fraczek		
6,817,402	B1	11/2004	Fraczek et al.		
6,935,401	B2	8/2005	Fraczek et al.		

FIG. 1 is a perspective view thereof;

FIG. 2 is a top plan view thereof;

FIG. 3 is a front elevational view thereof;

FIG. 4 is a side elevational view thereof;

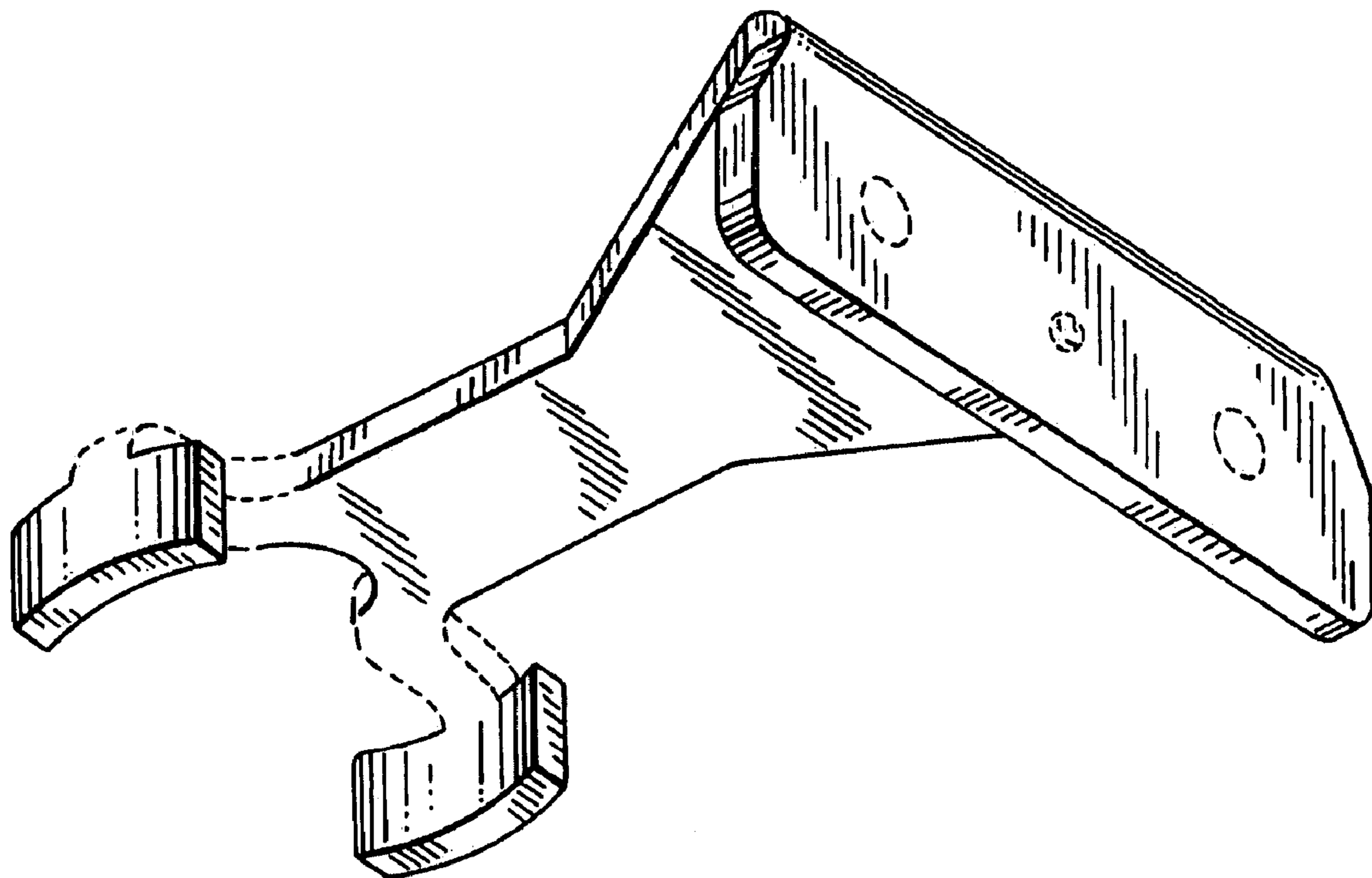
FIG. 5 is a right side elevational view thereof;

FIG. 6 is a rear elevational view thereof; and,

FIG. 7 is a bottom plan view thereof.

The broken lines immediately adjacent the shaded areas  
represent the bounds of the claim and all other broken lines  
are for illustrative purposes only. None of the broken lines  
form part of the claimed design.

**1 Claim, 5 Drawing Sheets**



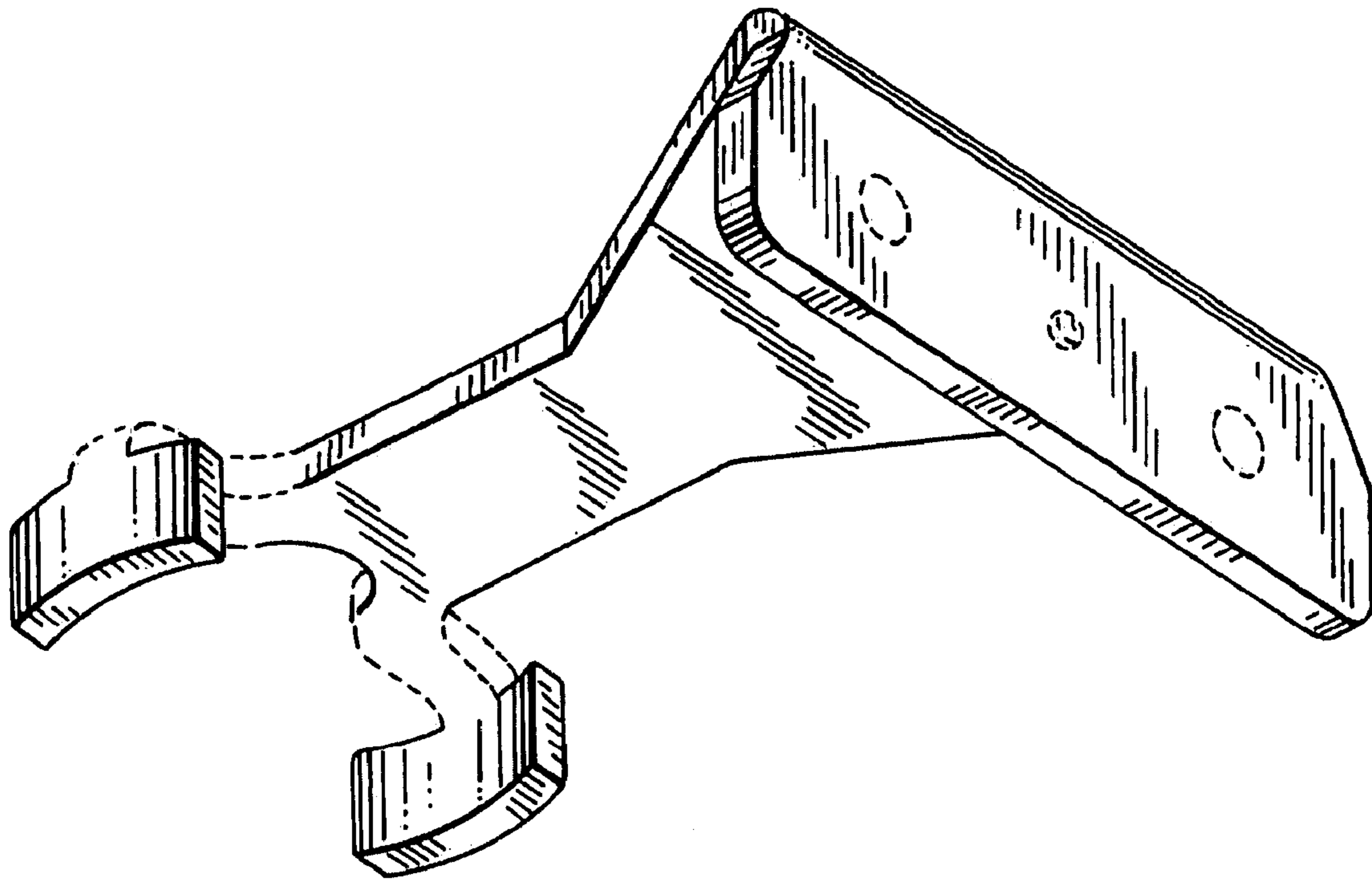


FIG. 1

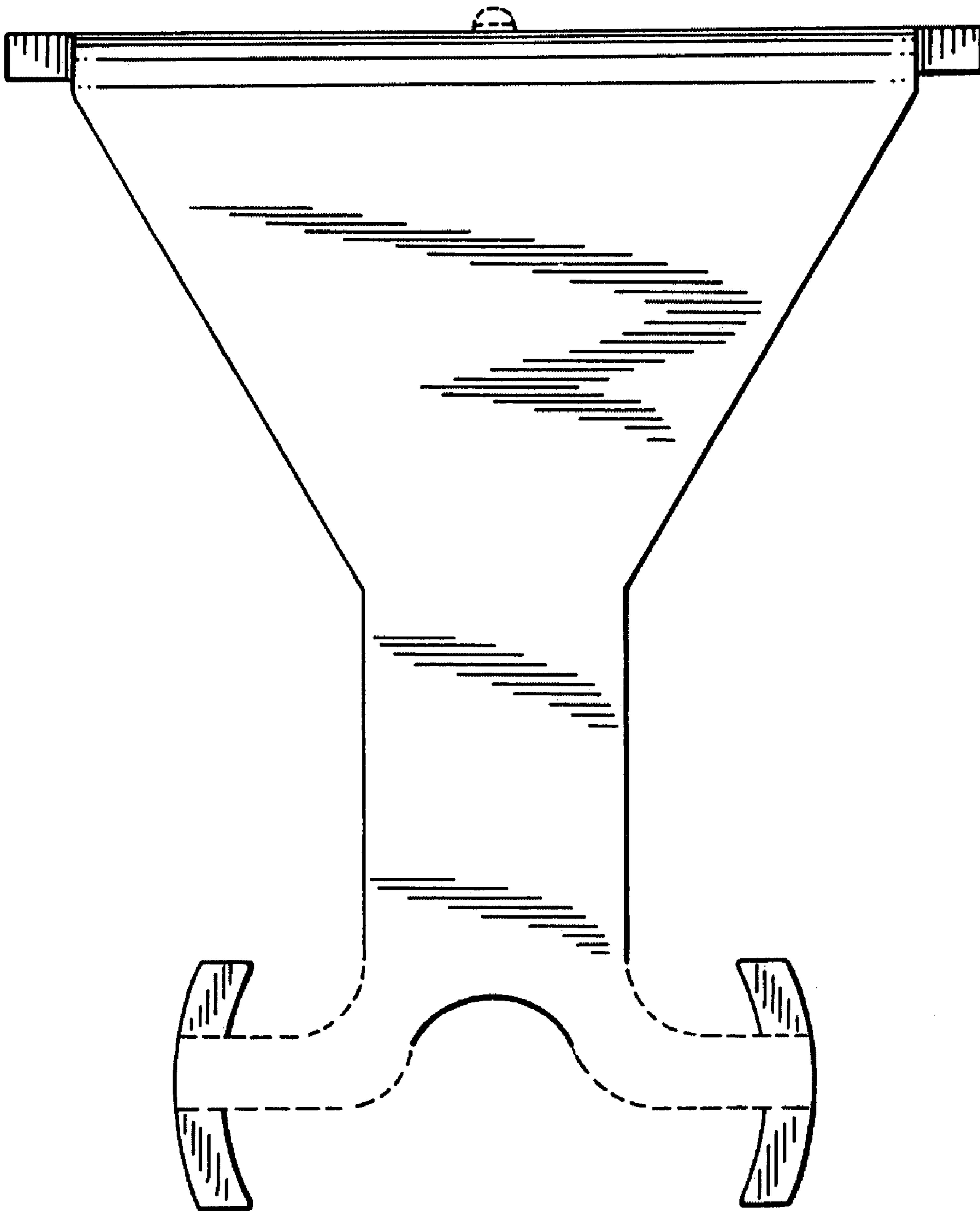


FIG. 2

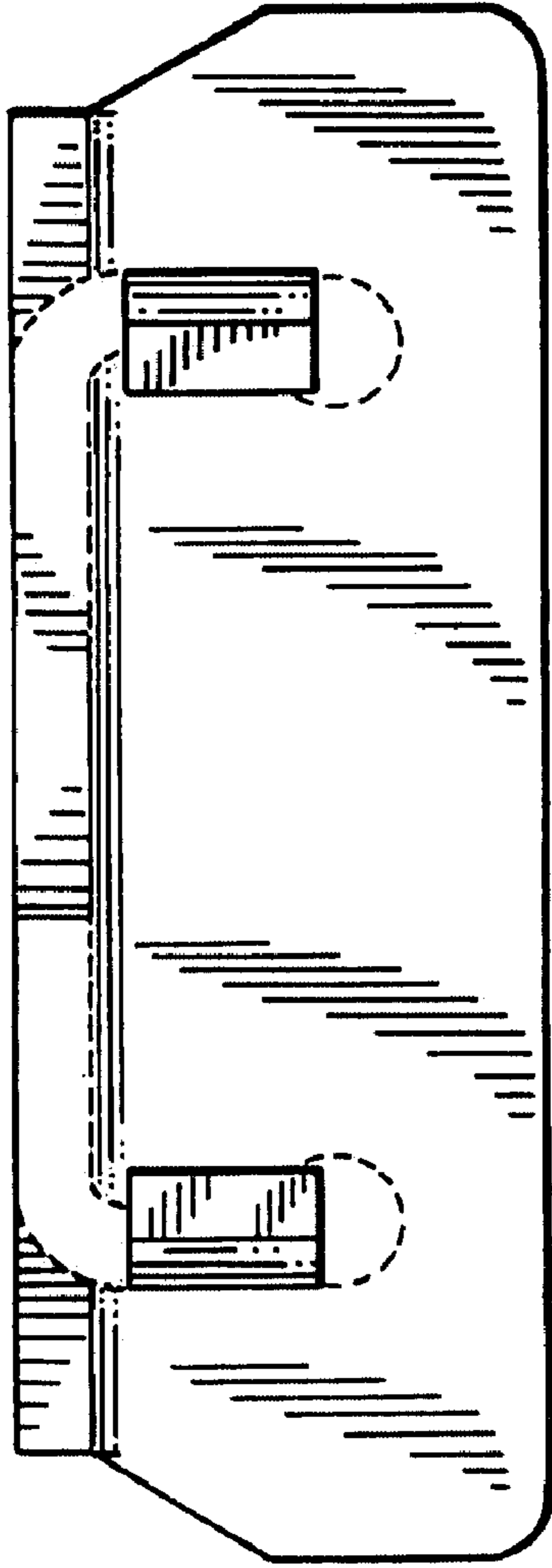
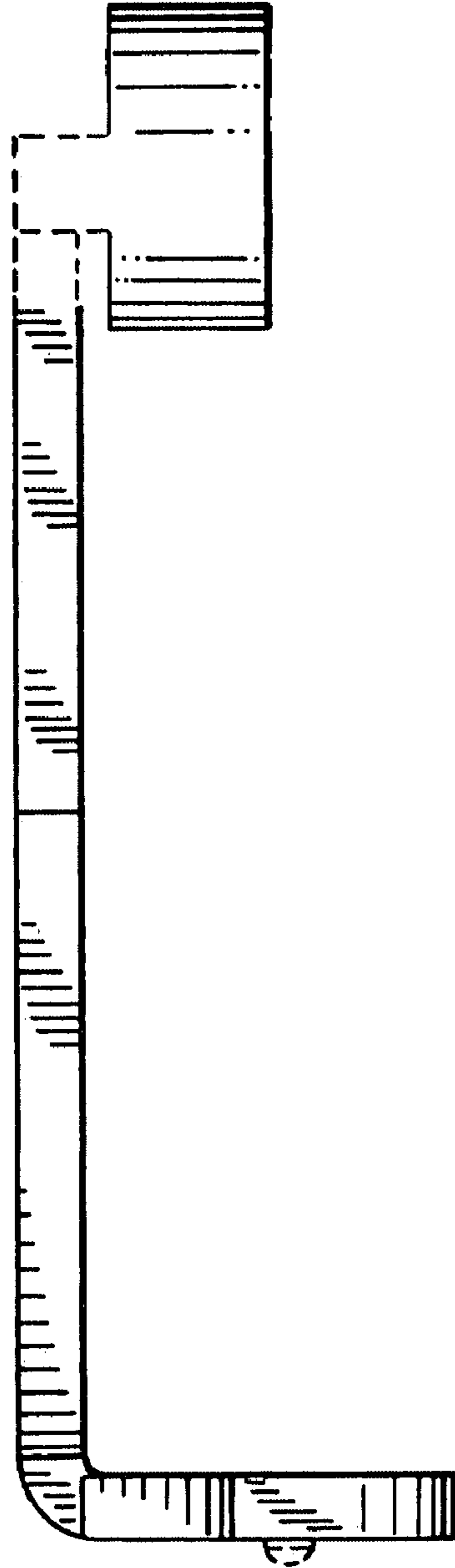


FIG. 3

FIG. 4



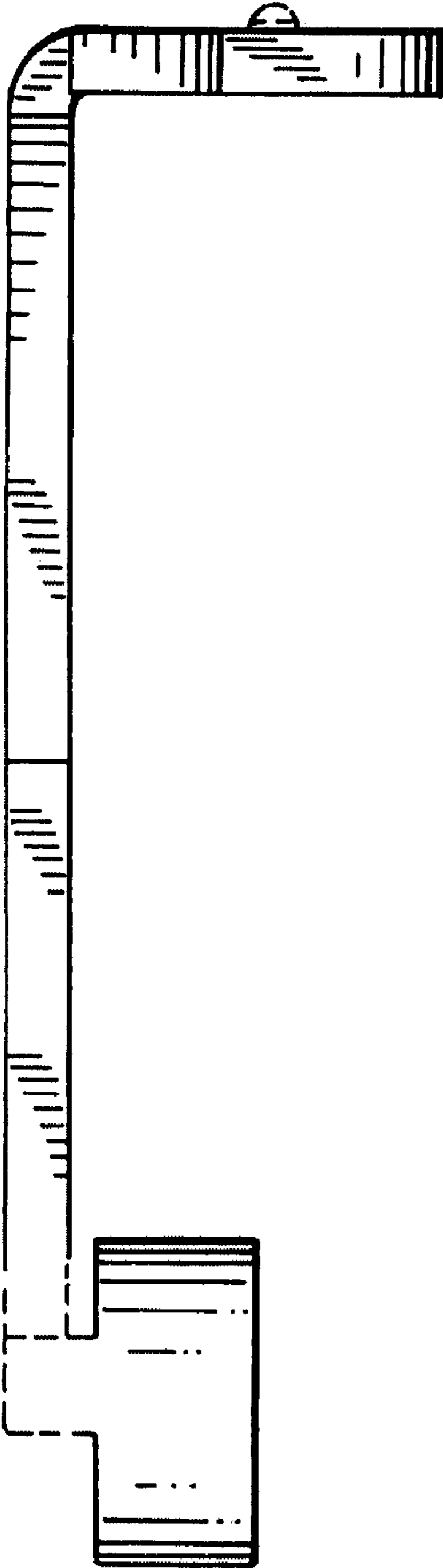


FIG. 5

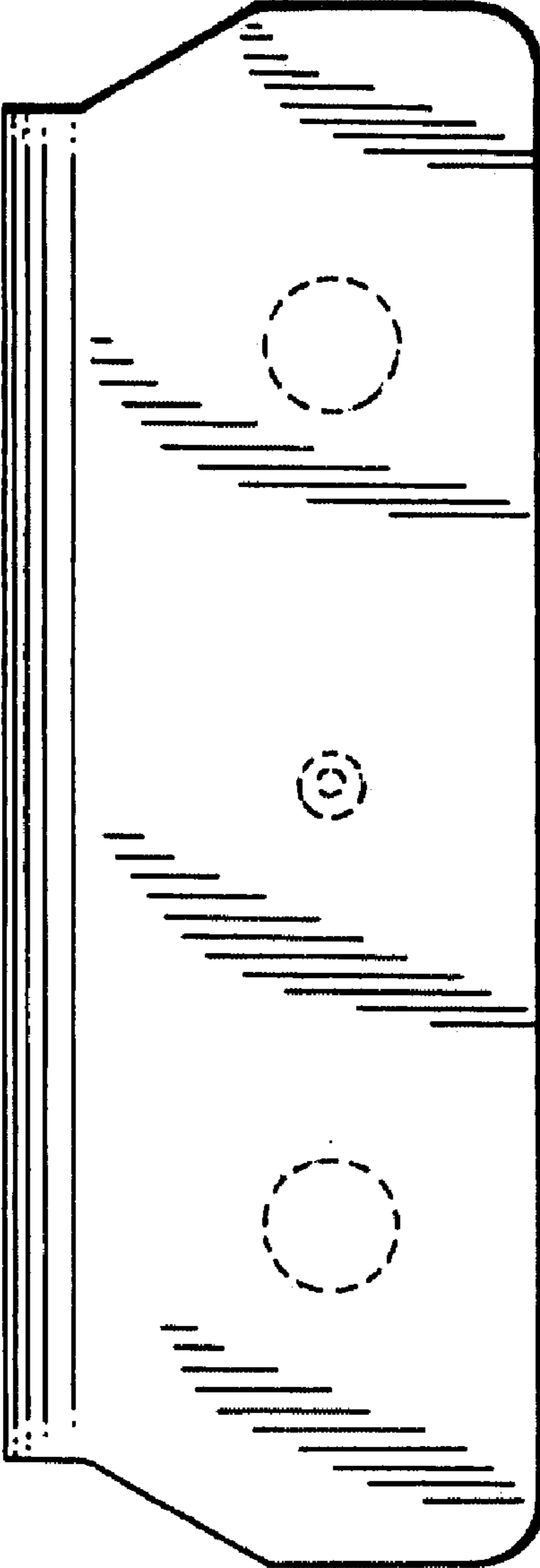


FIG. 6

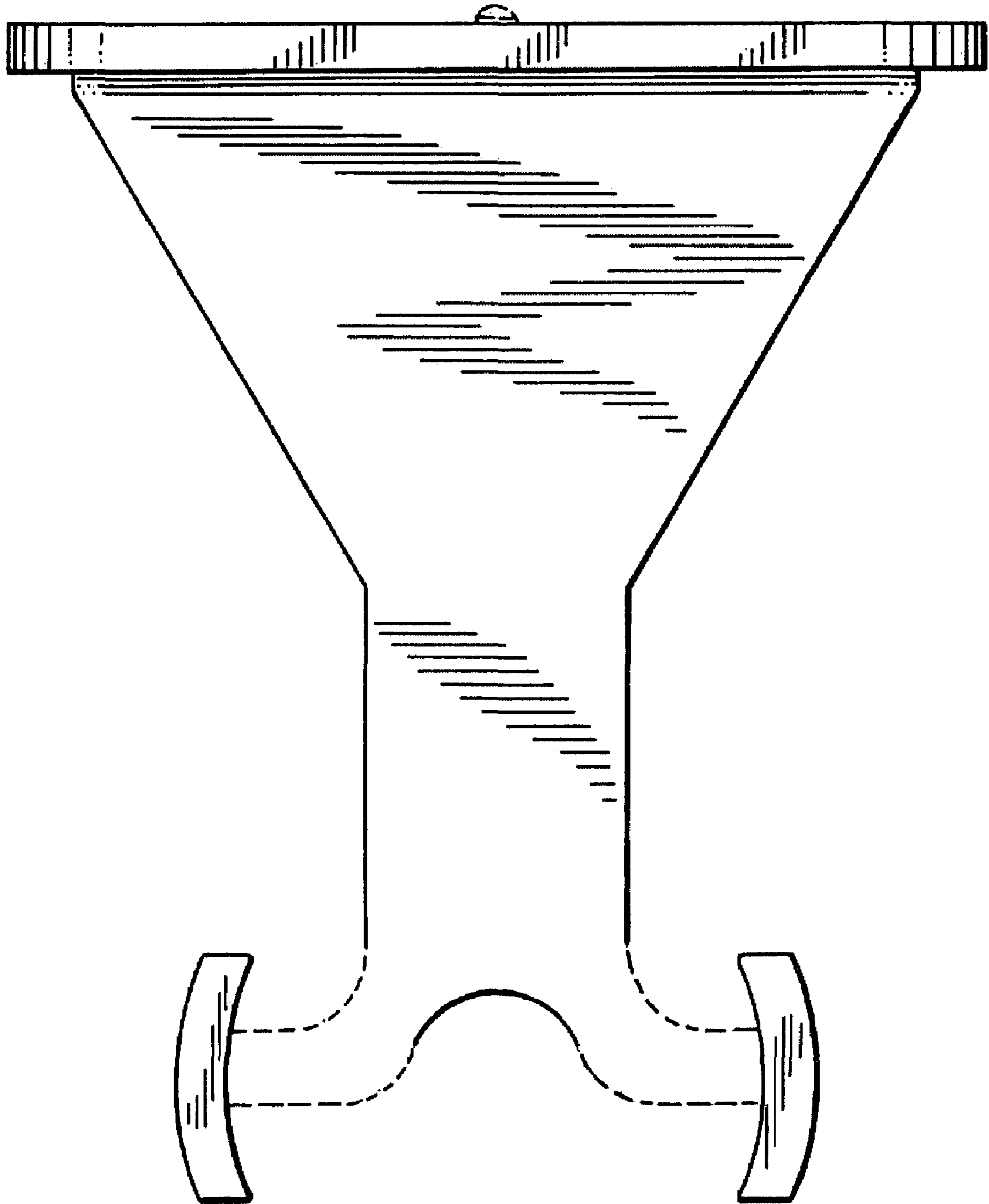


FIG. 7