



US00D564342S

(12) **United States Design Patent**
Gassew

(10) **Patent No.:** **US D564,342 S**

(45) **Date of Patent:** **** Mar. 18, 2008**

(54) **THREADLESS FAIRLEAD**

(76) **Inventor:** **Garry L. Gassew**, 3001 SW. 3rd Ave.,
Unit #1, Ft. Lauderdale, FL (US) 33315

(**) **Term:** **14 Years**

(21) **Appl. No.:** **29/285,955**

(22) **Filed:** **Apr. 17, 2007**

(51) **LOC (8) Cl.** **08-05**

(52) **U.S. Cl.** **D8/356**

(58) **Field of Classification Search** D8/105,
D8/107, 333, 349, 354, 356, 358, 367, 373,
D8/382, 383, 394-396; D23/261; D26/38;
24/197, 561; 174/153 G; 242/400.1, 405.1,
242/405.2, 600, 916; 248/65, 74.1-74.4,
248/214, 215, 229.26, 201, 302, 204, 316.7,
248/316.8; 439/501; D34/38; 108/57.25

See application file for complete search history.

(56) **References Cited**

U.S. PATENT DOCUMENTS

- 398,679 A * 2/1889 White 248/205.5
- 1,799,602 A * 4/1931 North et al. 248/239
- 1,930,656 A * 10/1933 Nave 248/239
- D155,820 S * 11/1949 Lushbaugh D8/356
- 2,624,201 A * 1/1953 Thomson 73/864.51
- 3,045,634 A * 7/1962 Dorsett 114/210
- 3,298,652 A * 1/1967 Burdick 410/107
- 3,659,319 A * 5/1972 Erickson 24/304
- D240,577 S * 7/1976 Newman D8/373
- D243,151 S * 1/1977 Bouche D8/356
- 4,020,769 A * 5/1977 Keir 410/96
- 4,078,514 A * 3/1978 Patterson et al. 114/249
- D248,012 S * 5/1978 Rensen D8/372
- D250,571 S * 12/1978 Winslow D8/382
- D272,518 S * 2/1984 Smith D8/382
- D274,303 S * 6/1984 Kucher D8/382
- D291,058 S * 7/1987 Sorensen D8/356

- 4,700,917 A * 10/1987 Dillman 248/227.4
- D299,239 S * 1/1989 Henningsen D15/28
- 4,920,772 A * 5/1990 Denison 70/53
- D351,552 S * 10/1994 Williams D8/356
- D353,492 S * 12/1994 Goodman et al. D6/323
- D354,429 S * 1/1995 McNaughton D8/367
- D356,727 S * 3/1995 Scholl D8/367
- D407,298 S * 3/1999 Hemphill D8/367
- 5,924,667 A * 7/1999 Grahn et al. 248/304
- D413,057 S * 8/1999 Lee D8/356
- 5,947,433 A * 9/1999 Klein 248/214
- D448,654 S * 10/2001 Snell D8/367
- D467,159 S * 12/2002 Meyer D8/367
- 2006/0022105 A1 * 2/2006 MacKay 248/304

* cited by examiner

Primary Examiner—T. Chase Nelson

Assistant Examiner—Karen Acker

(74) *Attorney, Agent, or Firm*—Gold & Rizvi, P.A.; Glenn E. Gold; H. John Rizvi

(57) **CLAIM**

I claim the ornamental design for a threadless fairlead, as shown and described.

DESCRIPTION

FIG. 1 is a front elevated view of the threadless fairlead showing my new design;

FIG. 2 is a rear elevated view thereof;

FIG. 3 is a top view thereof;

FIG. 4 is a bottom view thereof;

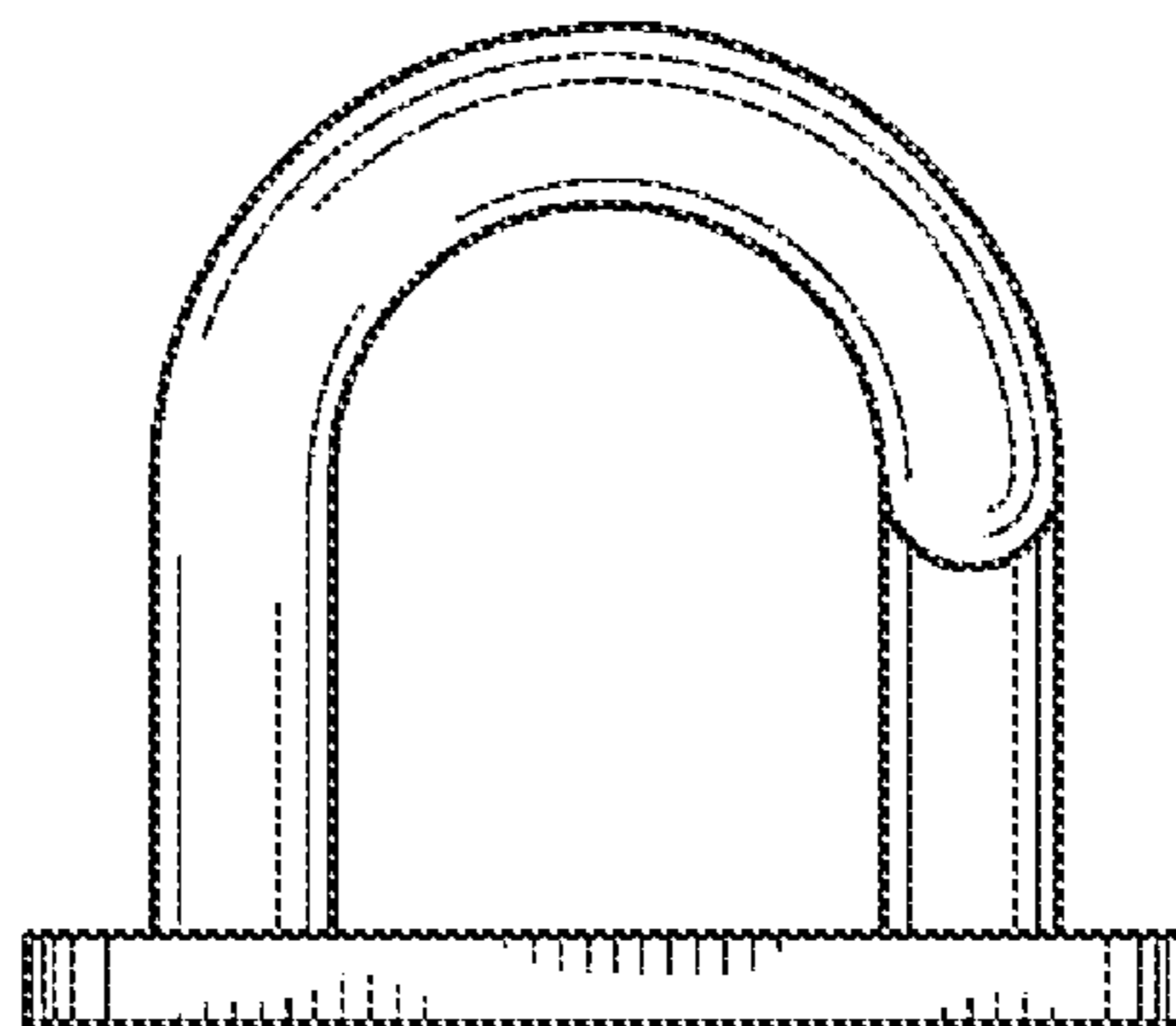
FIG. 5 is a right side elevated view thereof.

FIG. 6 is a left side elevated view thereof;

FIG. 7 is a front left Perspective view thereof; and,

FIG. 8 is a bottom right perspective view thereof.

1 Claim, 2 Drawing Sheets



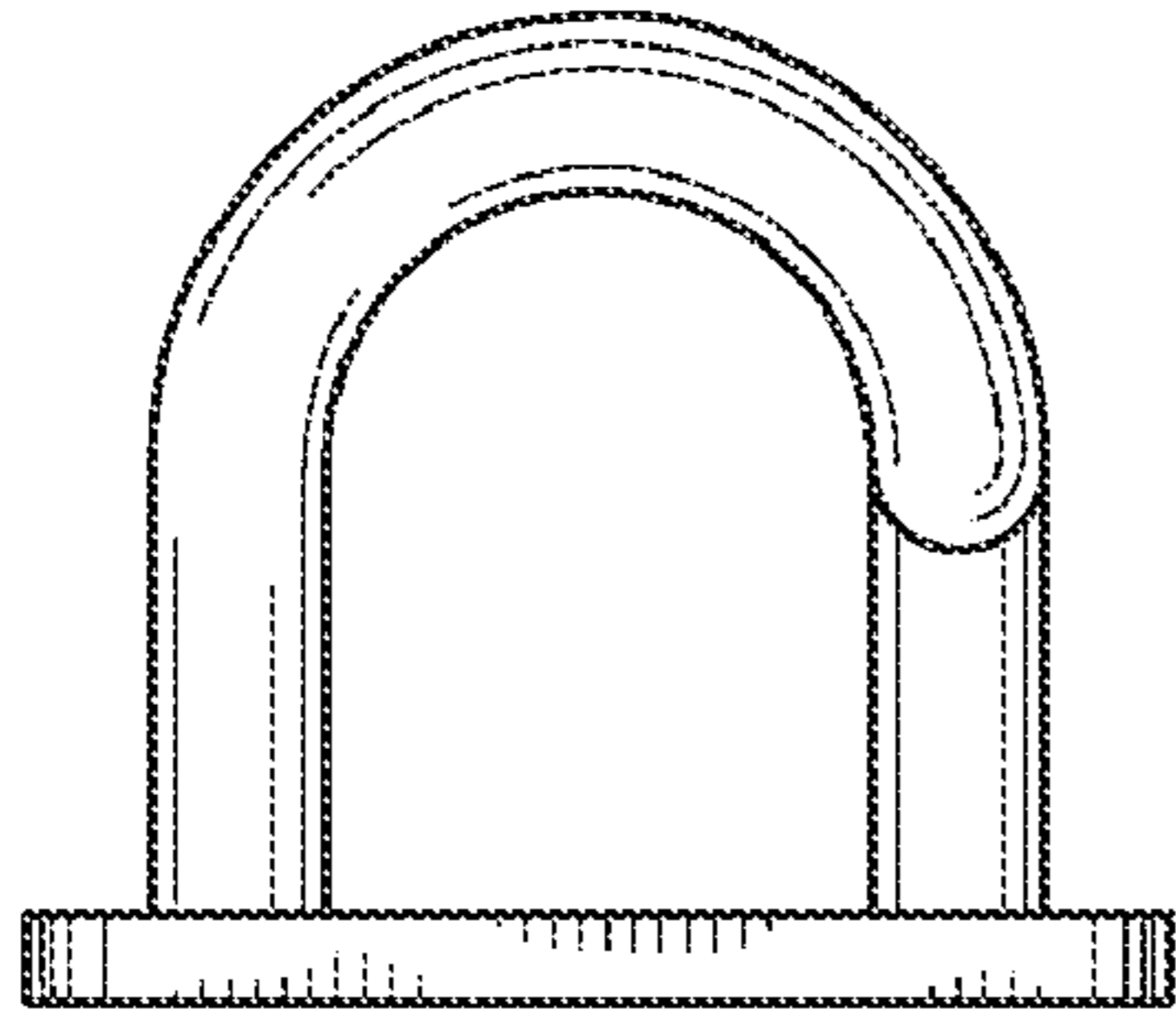


FIG. 1

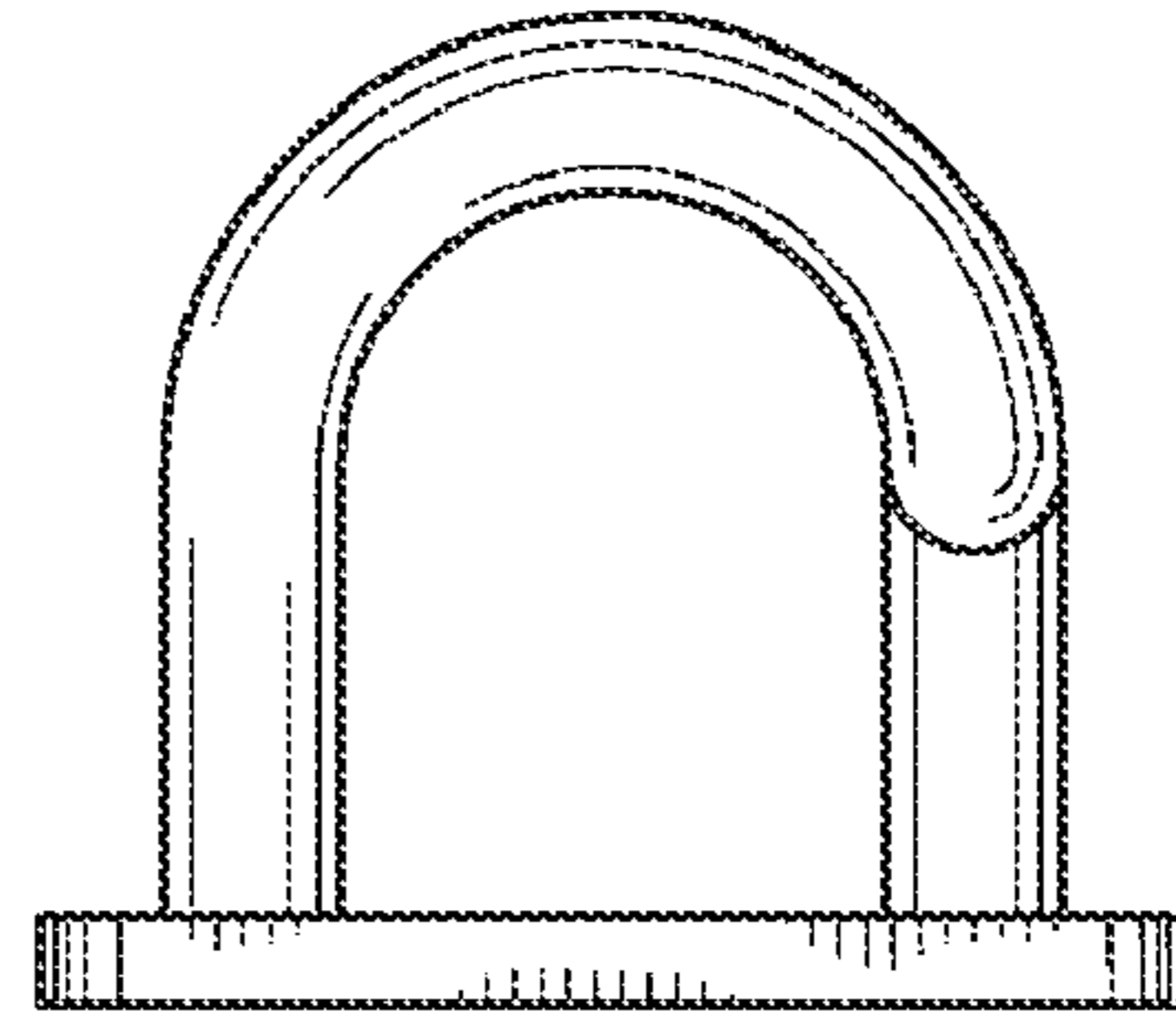


FIG. 2

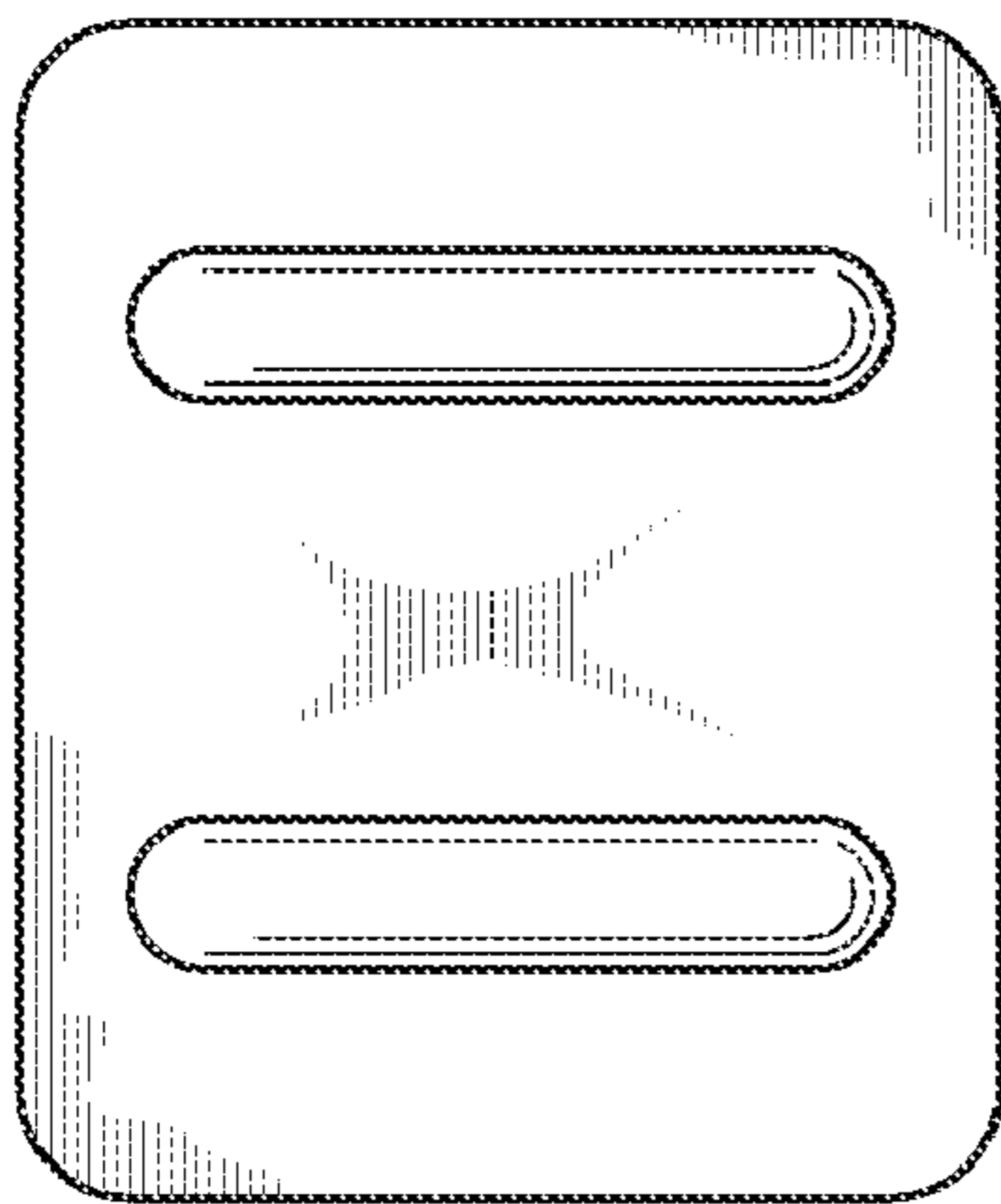


FIG. 3

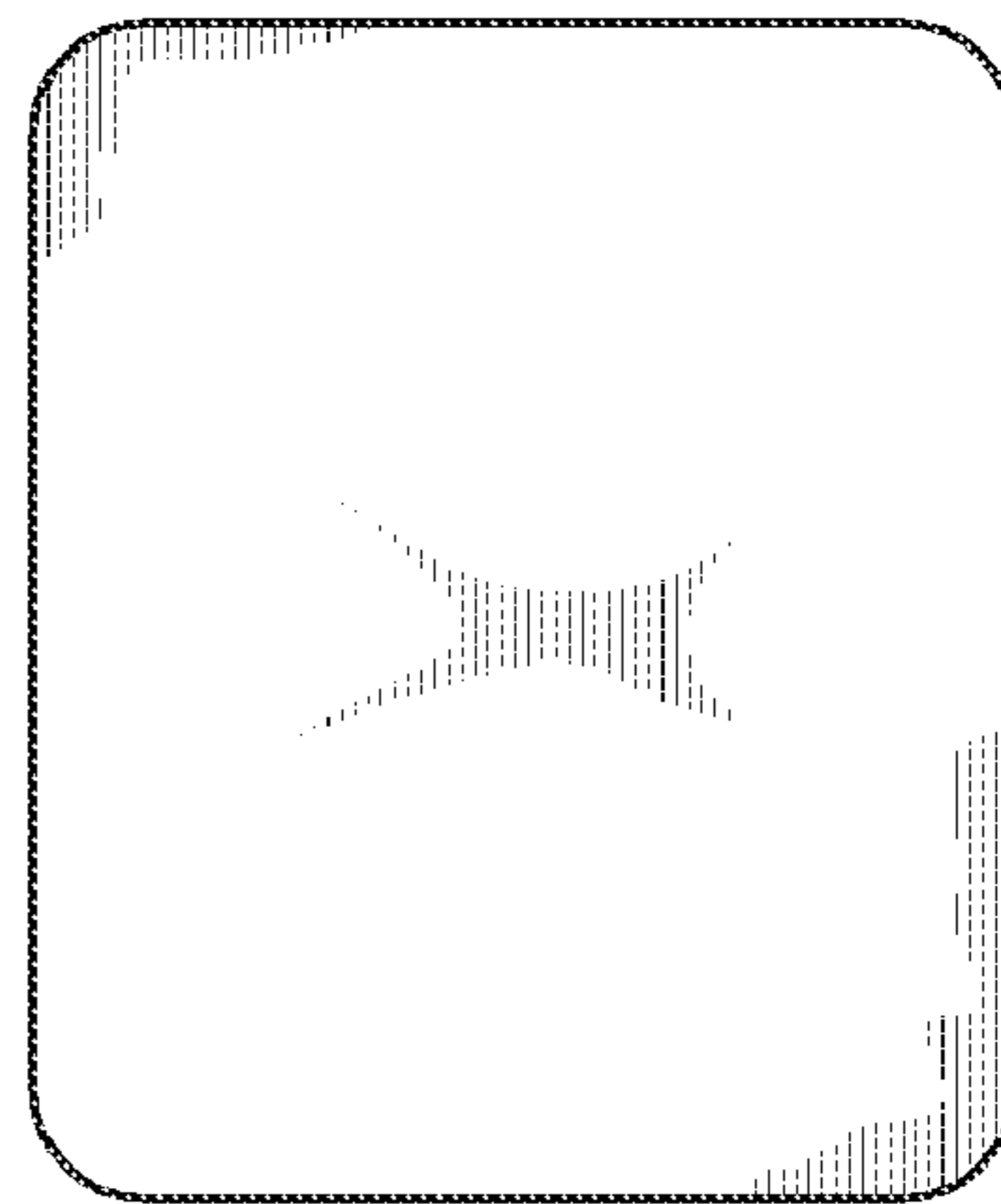


FIG. 4

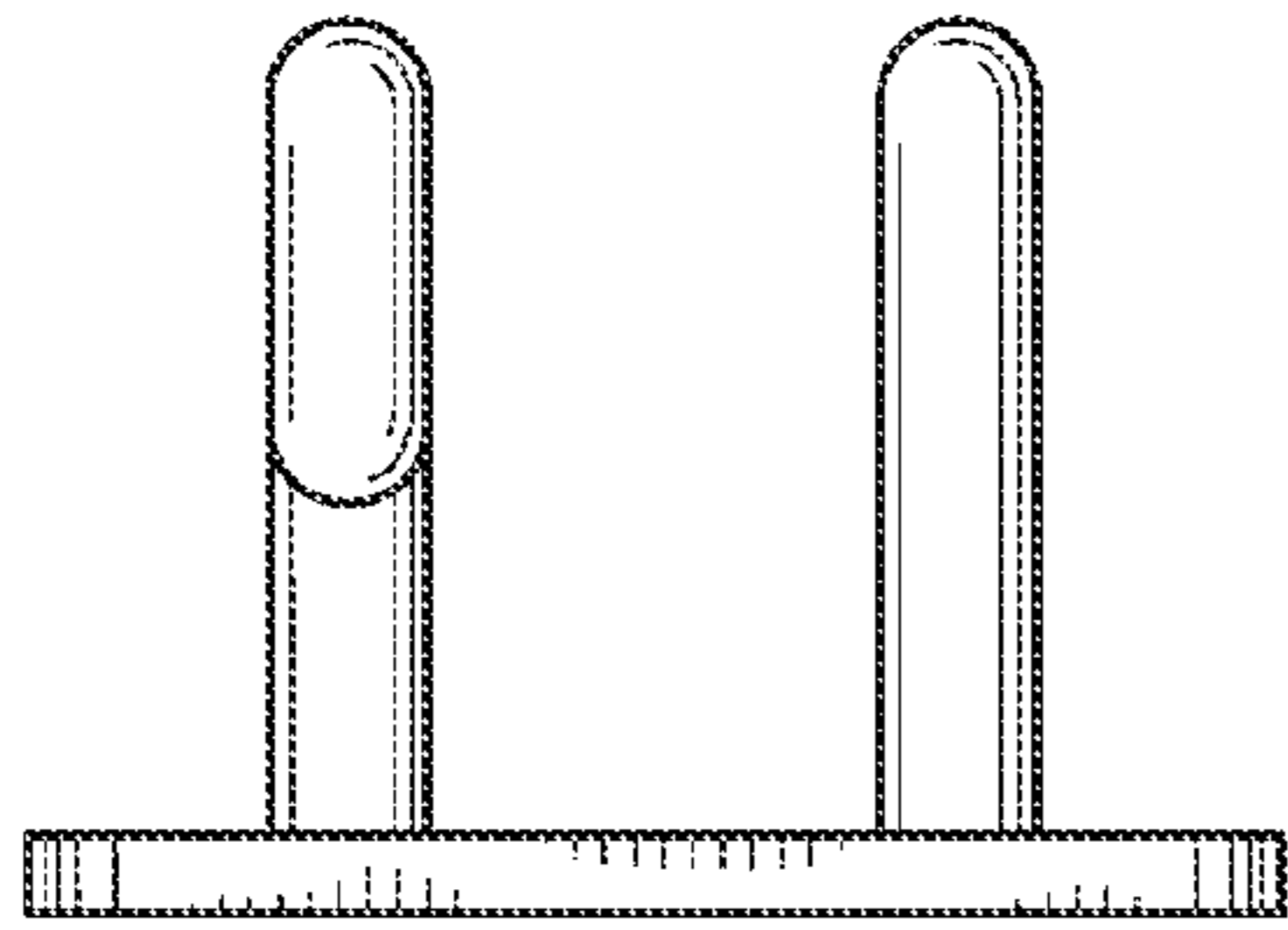


FIG. 5

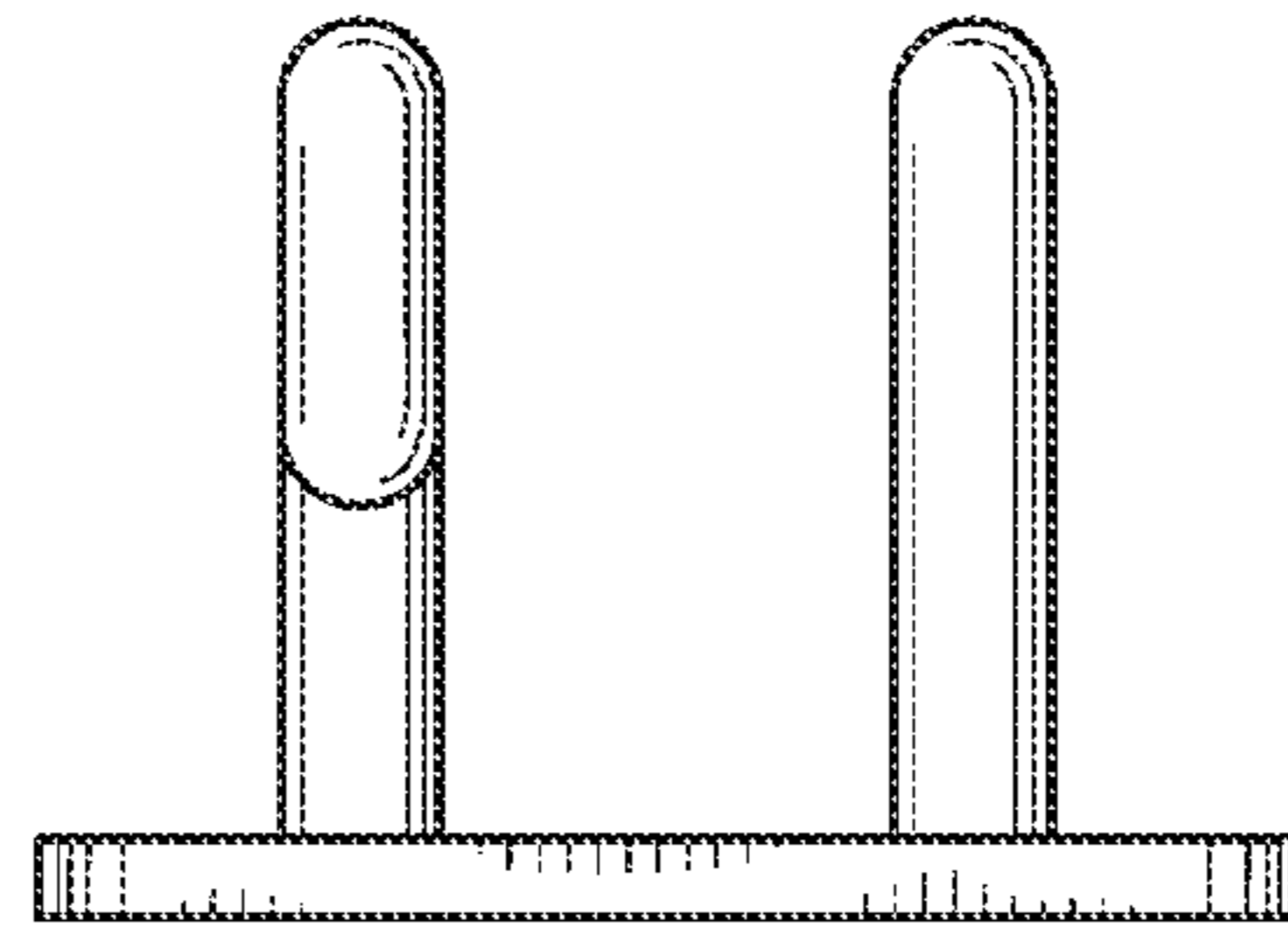


FIG. 6

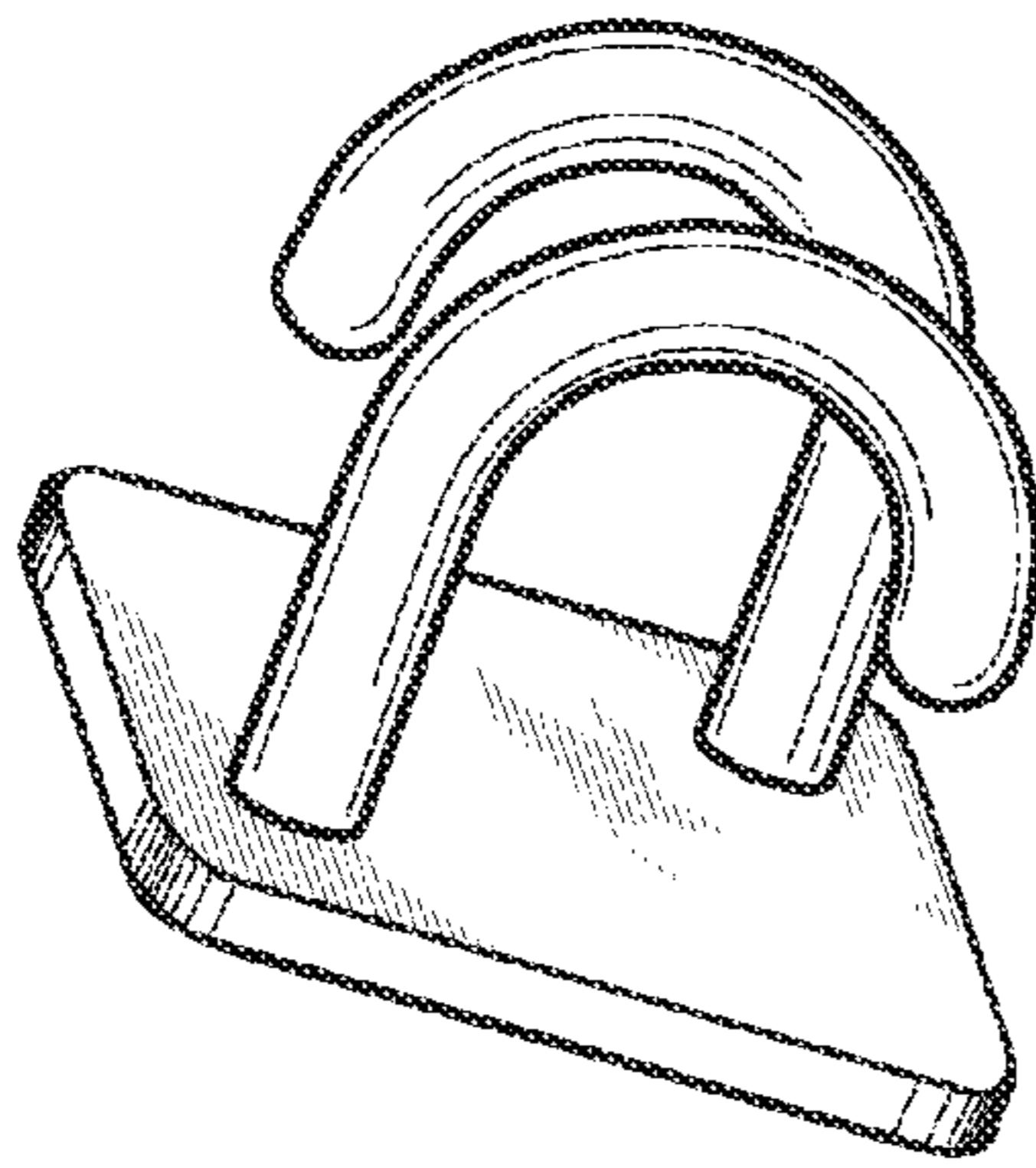


FIG. 7

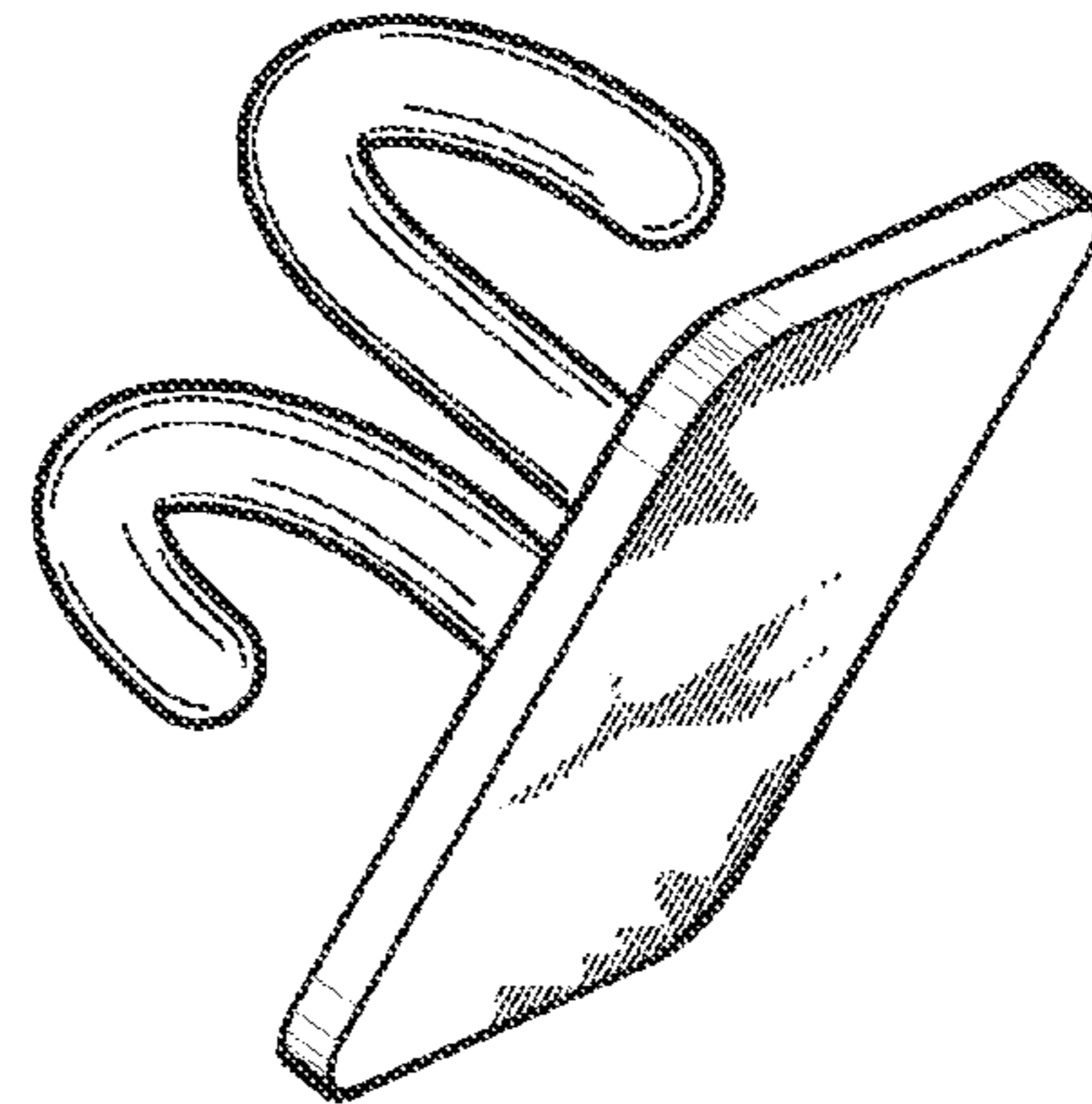


FIG. 8