



US00D564341S

(12) **United States Design Patent**
Kelleghan

(10) **Patent No.:** **US D564,341 S**
(45) **Date of Patent:** **** Mar. 18, 2008**

(54) **CARABINER WITH SPACE FOR A PINCH LIGHT**

(75) Inventor: **Brian James Kelleghan**, Longmont, CO (US)

(73) Assignee: **Bison Designs, LLC**, Longmont, CO (US)

(**) Term: **14 Years**

(21) Appl. No.: **29/282,555**

(22) Filed: **Jul. 24, 2007**

Related U.S. Application Data

(62) Division of application No. 29/246,382, filed on Apr. 5, 2006, now Pat. No. Des. 553,480.

(51) **LOC (8) Cl.** **08-05**

(52) **U.S. Cl.** **D8/356**

(58) **Field of Classification Search** D8/356;
D20/24, 11, 10; D12/175; D11/99, 82, 81,
D11/26, 2, 141, 112, 100; D10/31, 3, 2,
D10/62; D1/127, 126, 111, 107, 106; 24/599.1,
24/592.1, 573.11; D22/126; D7/676, 675;
D23/261; D26/38; D3/207

See application file for complete search history.

(56) **References Cited**

U.S. PATENT DOCUMENTS

D455,642 S 4/2002 Kelleghan
D466,422 S * 12/2002 Luquire D10/62
D469,023 S * 1/2003 Mah D8/356

6,527,434 B1 * 3/2003 Fox et al. D10/31
D478,823 S 8/2006 Kelleghan
D537,369 S * 2/2007 Bao D10/2
D546,156 S * 7/2007 Kushner D8/356
D551,788 S * 9/2007 Bao D8/356

OTHER PUBLICATIONS

Bison Carabiner, Fish with pinch light---see attached picture.

* cited by examiner

Primary Examiner—Gary D. Watson

Assistant Examiner—Susan Bennett Hattan

(74) *Attorney, Agent, or Firm*—Margaret Polson; Patent Law Offices of Rick Martin, P.C.

(57) **CLAIM**

The ornamental design for a carabiner with space for a pinch light, as shown and described.

DESCRIPTION

FIG. 1 is a top plan view of my new design for a carabiner with space for a pinch light, the pinch light shown in dotted lines which is for illustrative purposes only and is not part of the claimed design.

FIG. 2 is a bottom plan view of FIG. 1

FIG. 3 is a left side elevation view of FIG. 1.

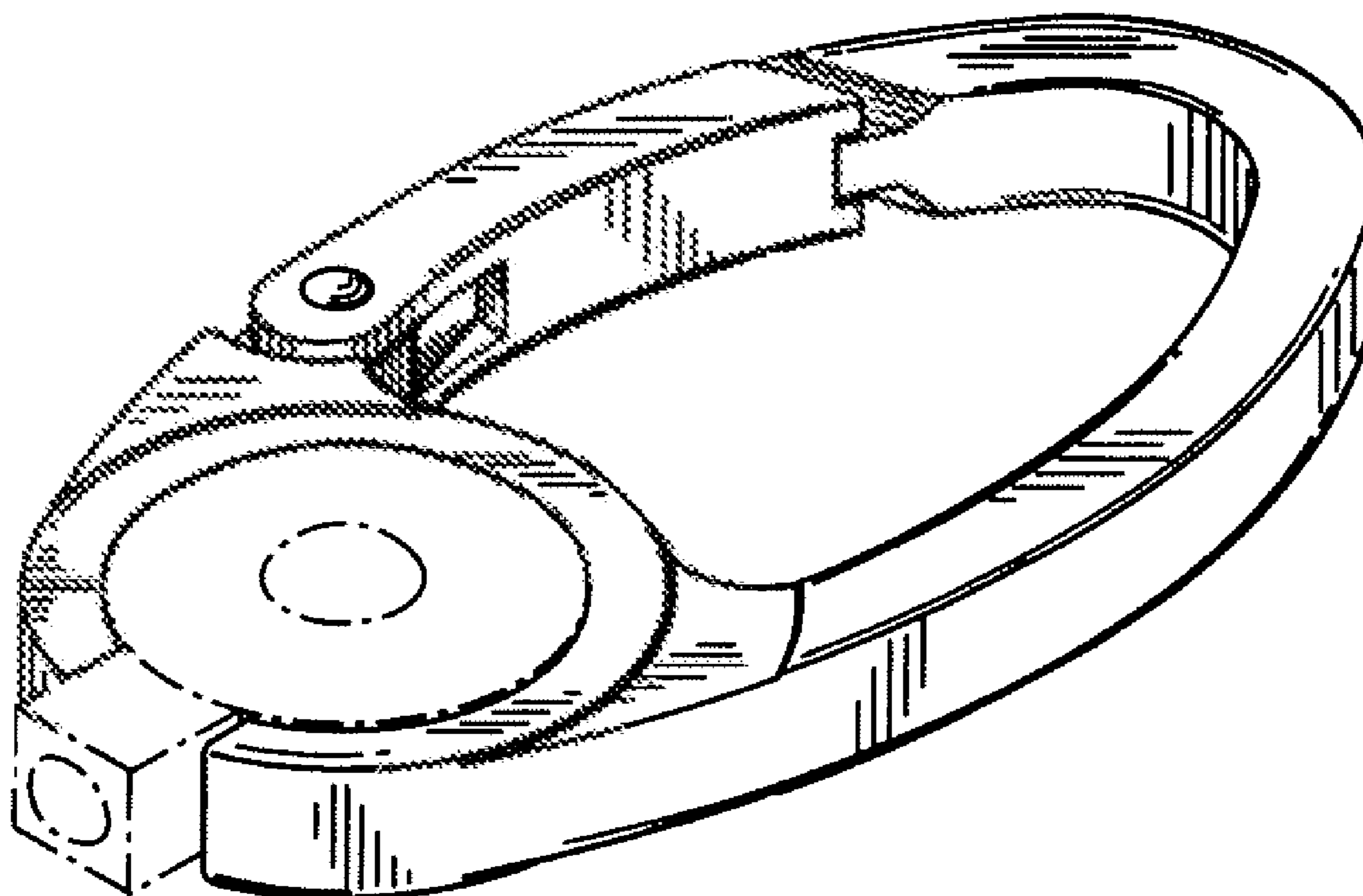
FIG. 4 is a right side elevation view of FIG. 1.

FIG. 5 is a rear side elevation view of FIG. 1.

FIG. 6 is a front side elevation view of FIG. 1; and,

FIG. 7 is a top perspective view of FIG. 1.

1 Claim, 1 Drawing Sheet



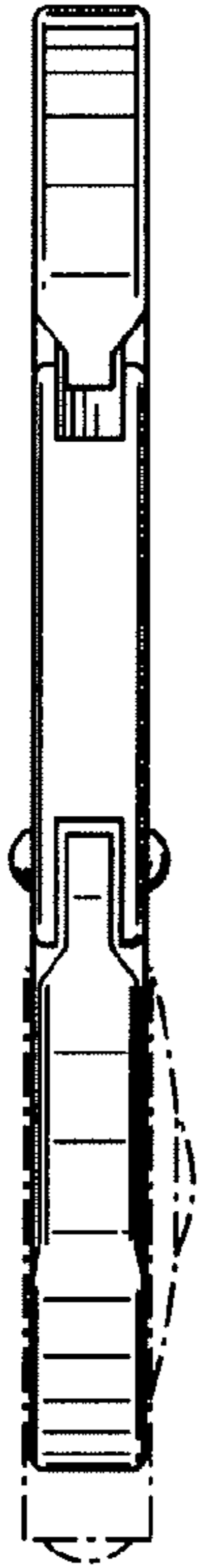


FIG. 3

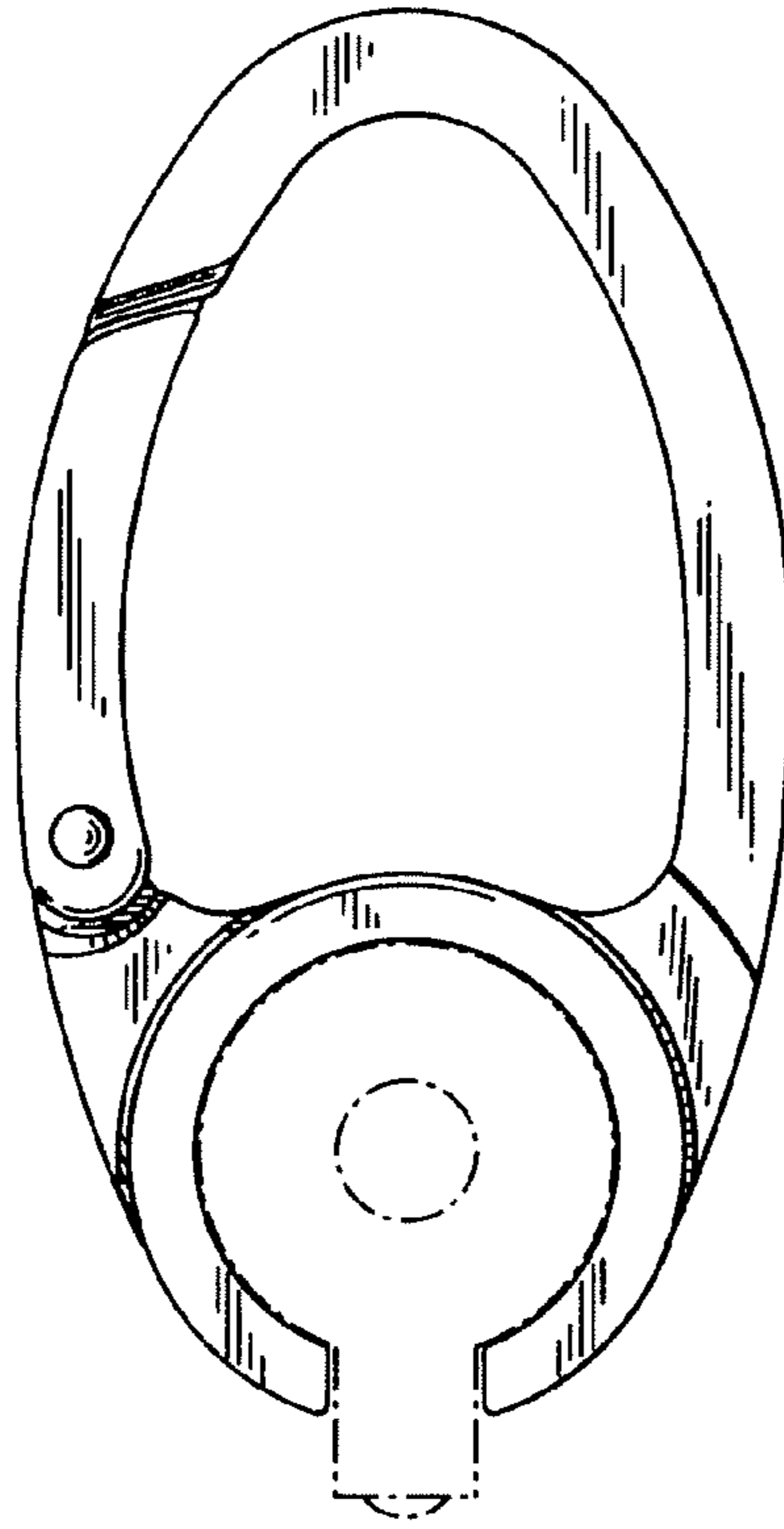


FIG. 1

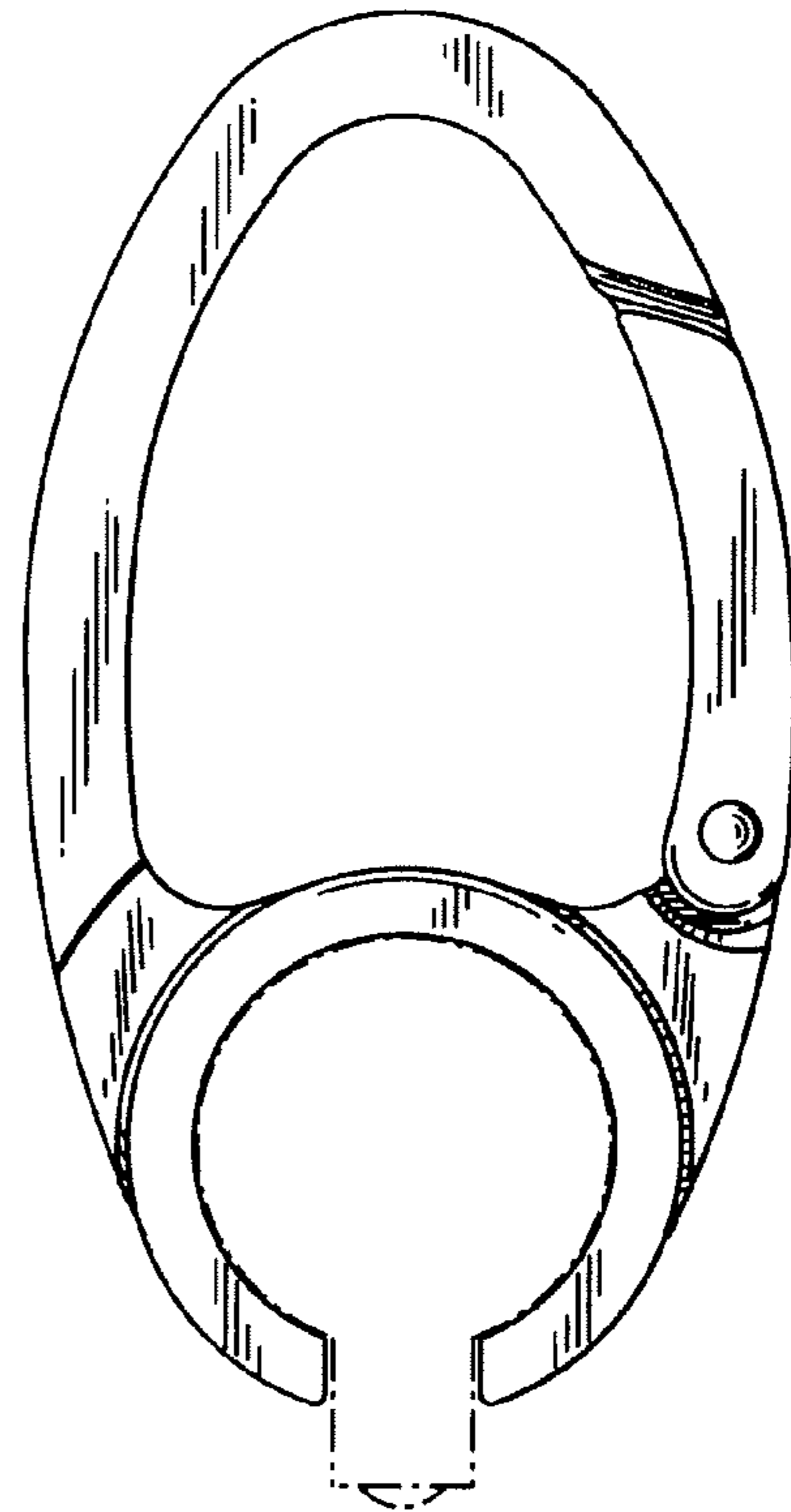


FIG. 2

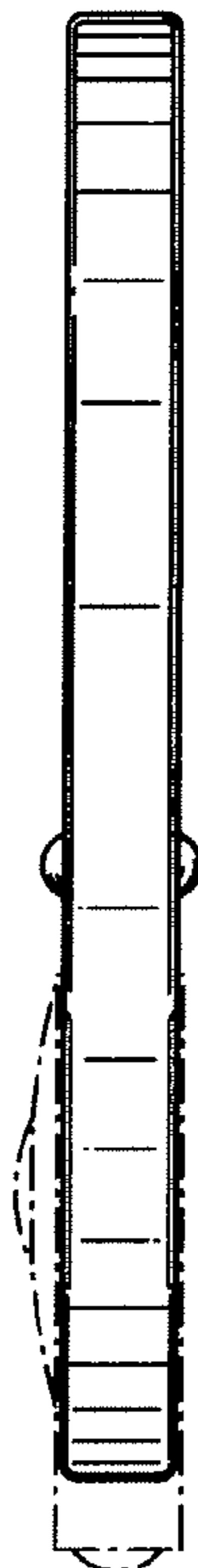


FIG. 4

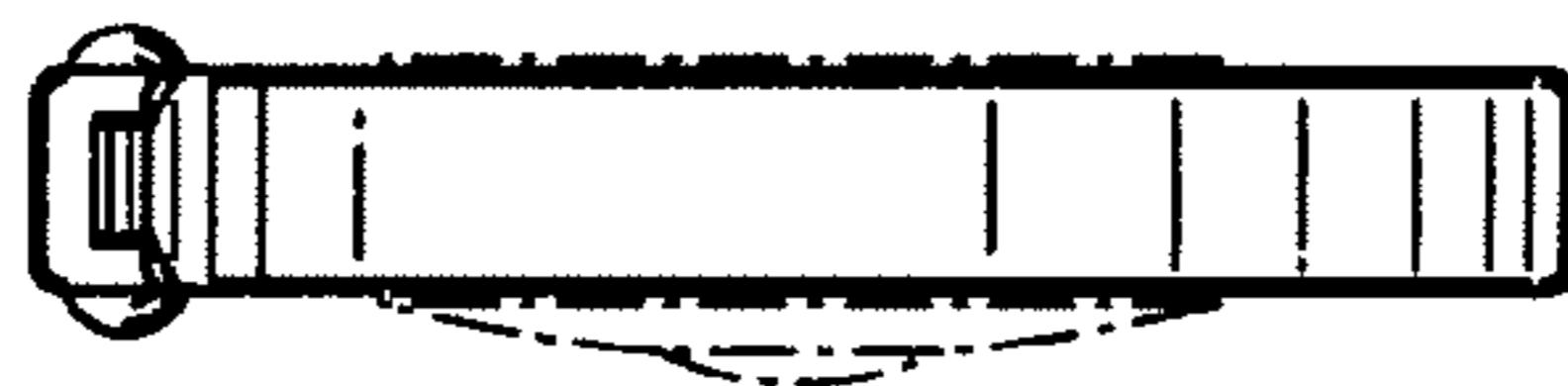


FIG. 5

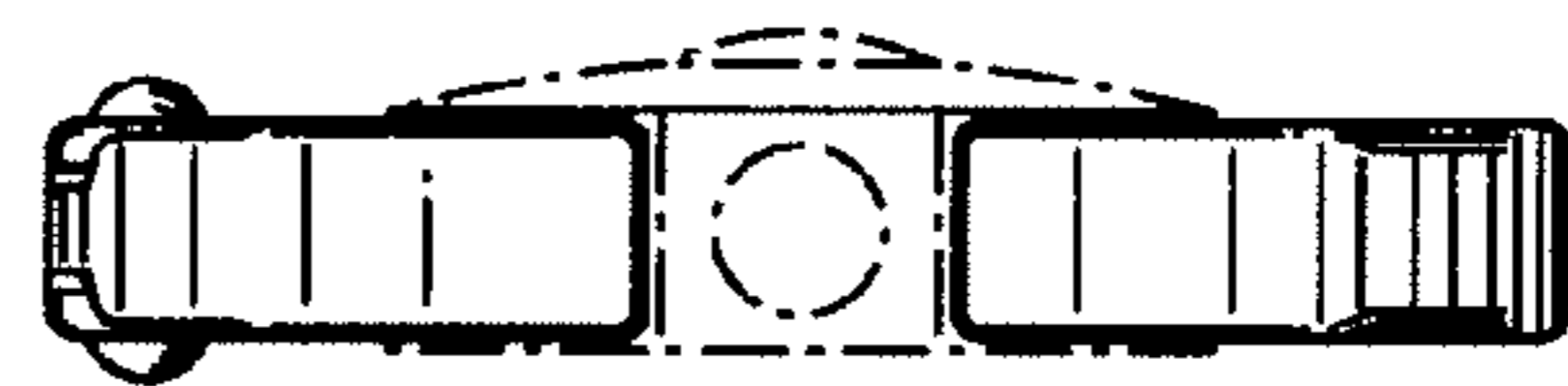


FIG. 6

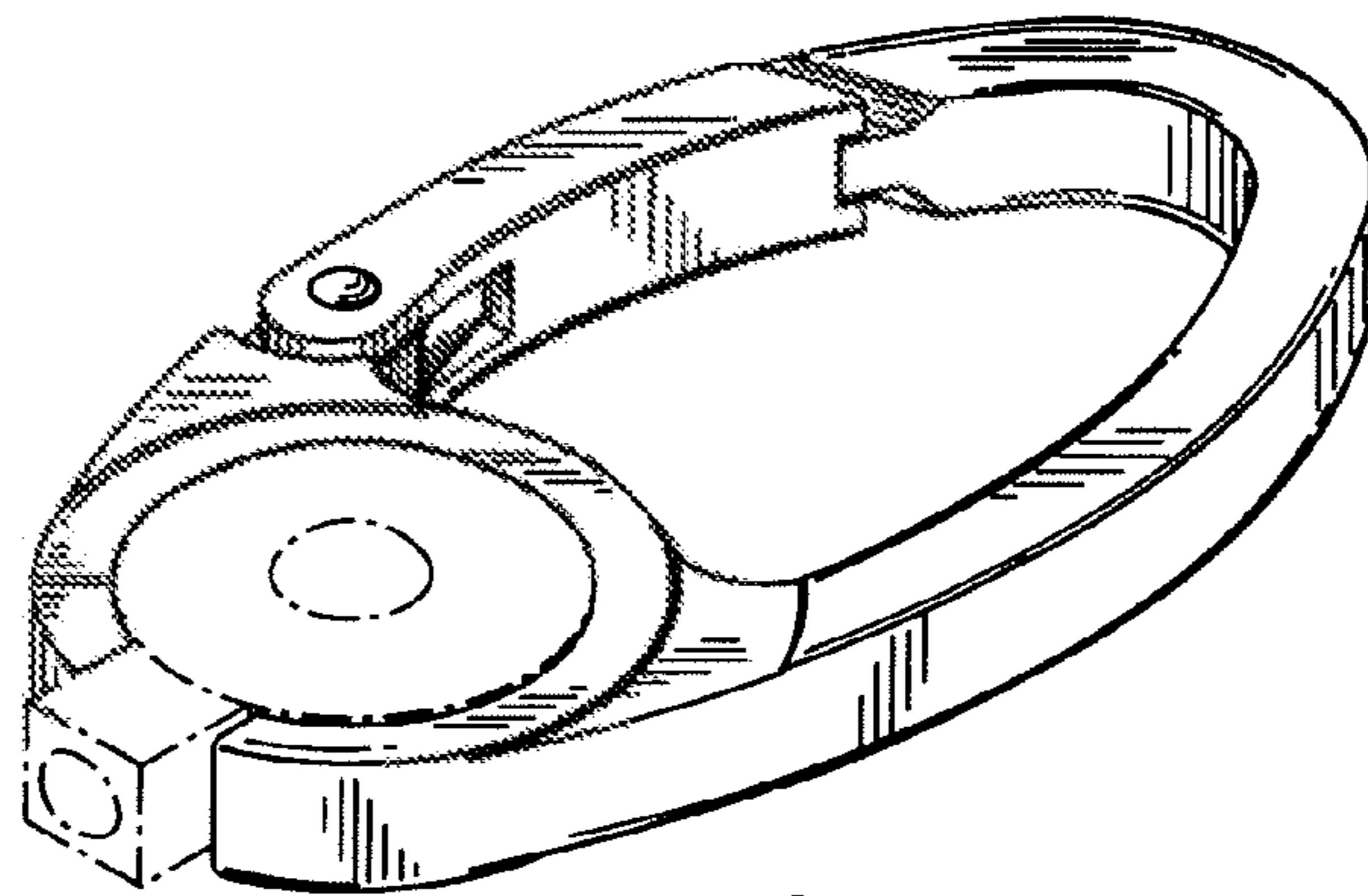


FIG. 7