

US00D564340S

(12) **United States Design Patent**
Conley et al.

(10) **Patent No.:** **US D564,340 S**
(45) **Date of Patent:** **** Mar. 18, 2008**

(54) **MOUNTING BRACKET FOR A FAN AND HARD DRIVES**

(75) Inventors: **William P. Conley**, Thousand Oaks, CA (US); **Rodger Thomason**, Santa Monica, CA (US)

(73) Assignee: **Slimvac, Inc.**, Culver City, CA (US)

(**) Term: **14 Years**

(21) Appl. No.: **29/268,740**

(22) Filed: **Nov. 13, 2006**

(51) **LOC (8) Cl.** **08-05**

(52) **U.S. Cl.** **D8/354**

(58) **Field of Classification Search** 8/354;
248/27.1, 300; 361/685

See application file for complete search history.

(56) **References Cited**

U.S. PATENT DOCUMENTS

4,732,356 A	3/1988	Medlin, Sr.
5,680,293 A	10/1997	McAnally et al.
5,995,364 A	11/1999	McAnally et al.
D436,837 S	1/2001	Beal et al.
6,227,499 B1	5/2001	Jennison et al.
6,317,318 B1	11/2001	Kim
6,318,679 B1	11/2001	Yang et al.
6,439,523 B1	8/2002	Chandler, Jr. et al.
6,535,384 B2	3/2003	Huang

6,614,651 B2	9/2003	Chi et al.
6,721,177 B1	4/2004	Wang et al.
6,766,992 B1	7/2004	Parker
6,791,829 B1	9/2004	Chen et al.
6,836,410 B1	12/2004	Huang et al.
7,031,152 B1	4/2006	Tsai et al.
7,035,098 B2	4/2006	Huang et al.
2004/0047122 A1	3/2004	Chen et al.
2004/0100761 A1	5/2004	Liu
2004/0184231 A1	9/2004	Chen

Primary Examiner—Holly H. Baynham
(74) *Attorney, Agent, or Firm*—Arnold & Porter LLP

(57) **CLAIM**

The ornamental design for a mounting bracket for a fan and hard drives, as shown and described.

DESCRIPTION

FIG. 1 is a top right perspective view of a mounting bracket for a fan and hard drives showing our new design;

FIG. 2 is a right side view thereof;

FIG. 3 is a left side view thereof;

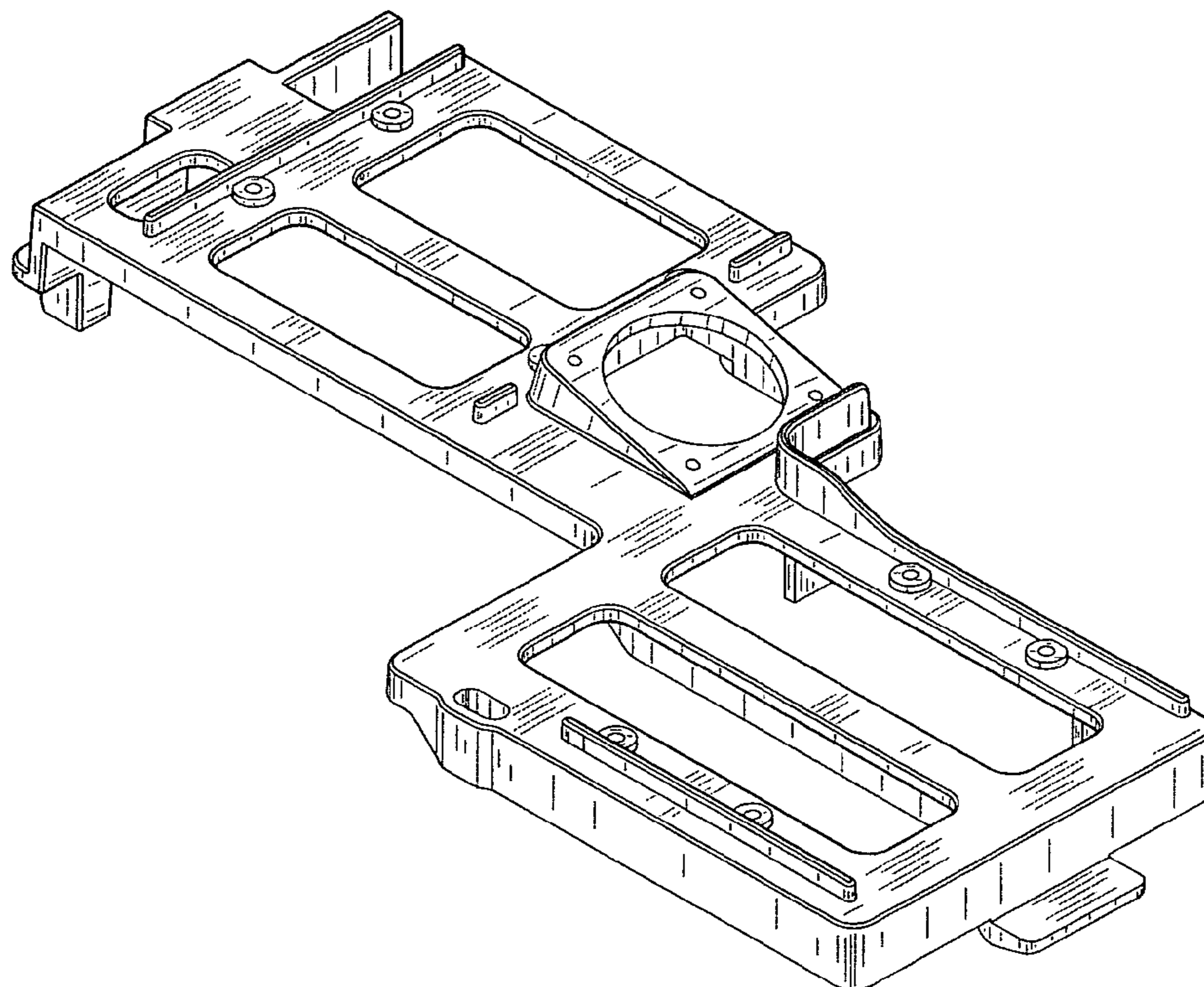
FIG. 4 is a front view thereof;

FIG. 5 is a rear view thereof;

FIG. 6 is a top view thereof; and,

FIG. 7 is a bottom view thereof.

1 Claim, 5 Drawing Sheets



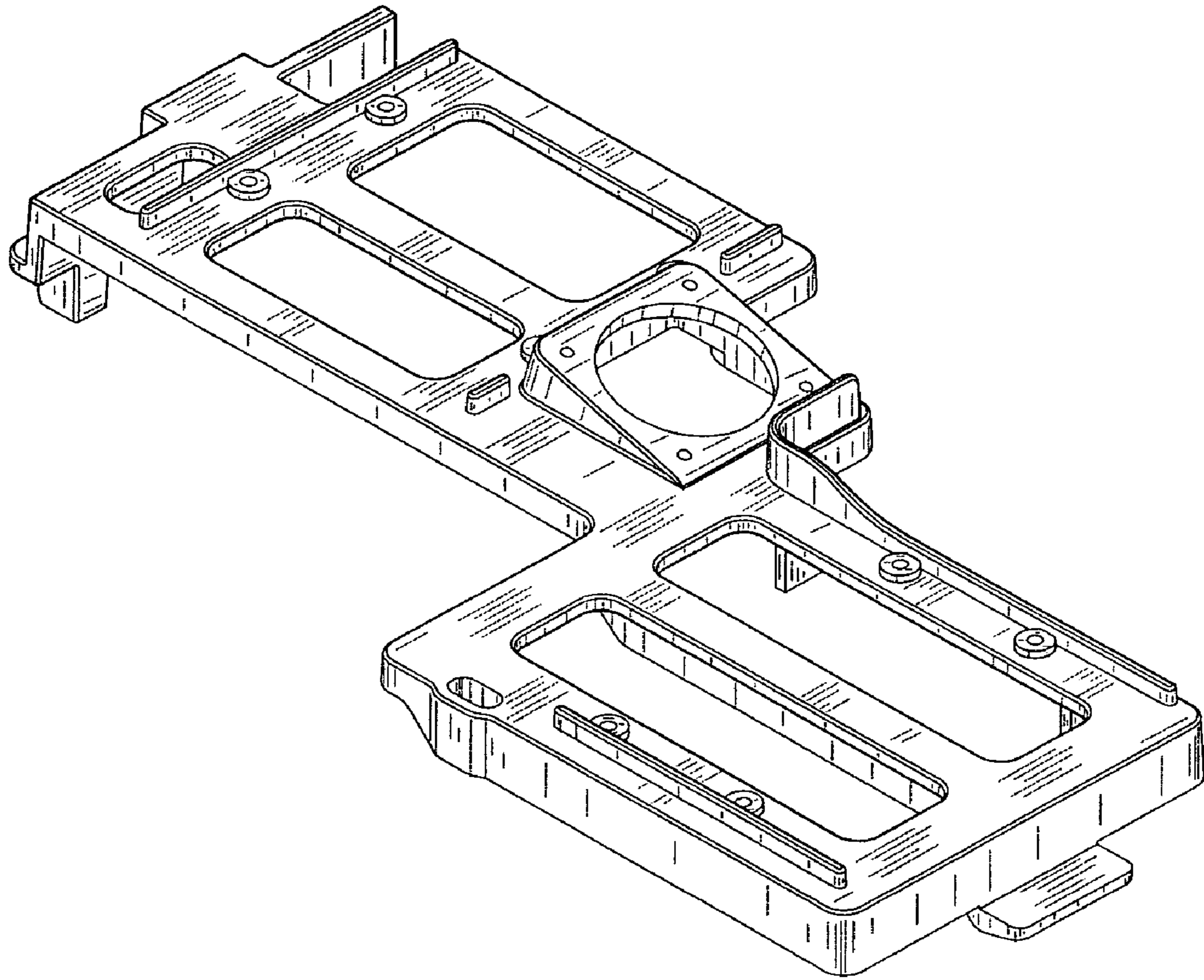


FIG. 1

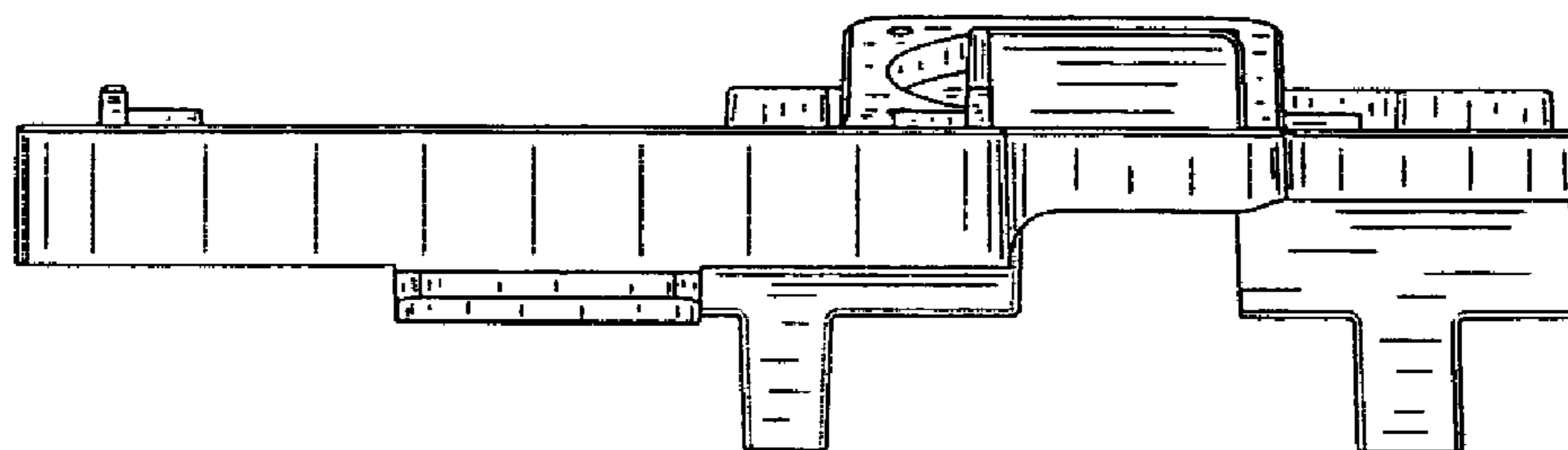


FIG. 2

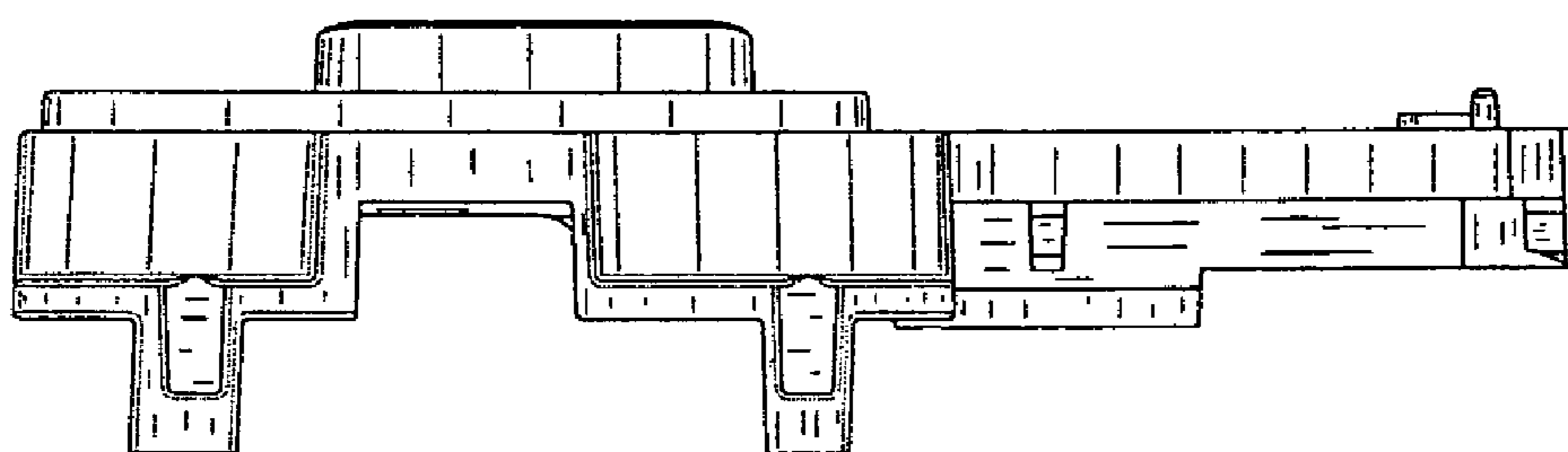


FIG. 3

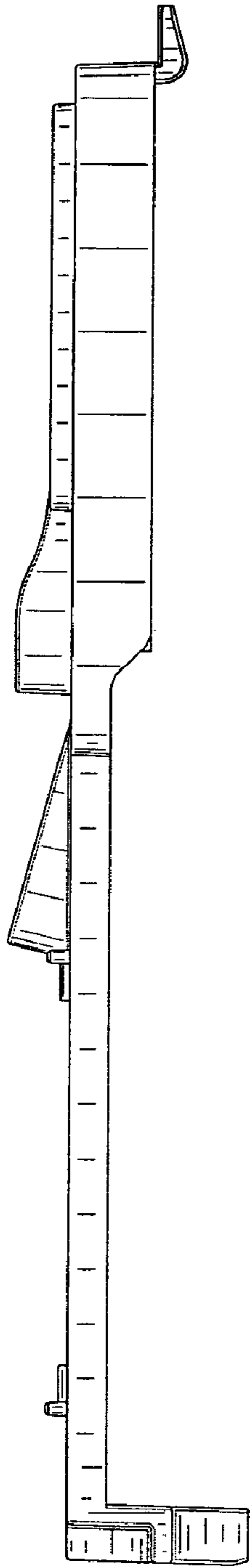


FIG. 4

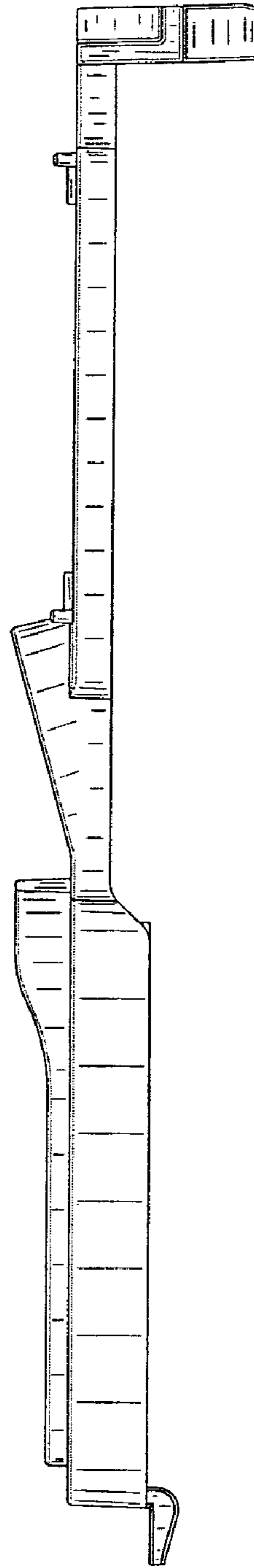


FIG. 5

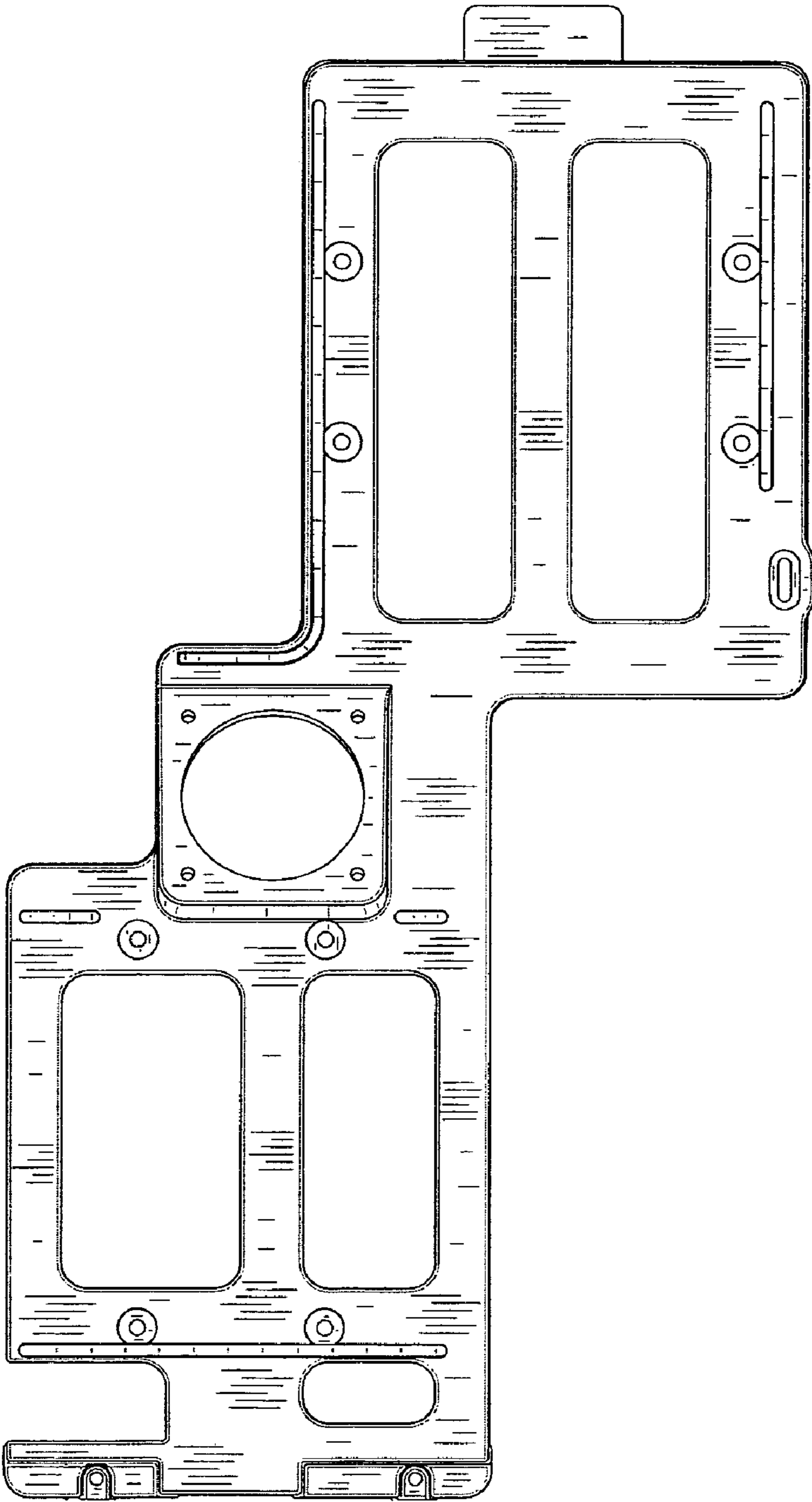


FIG. 6

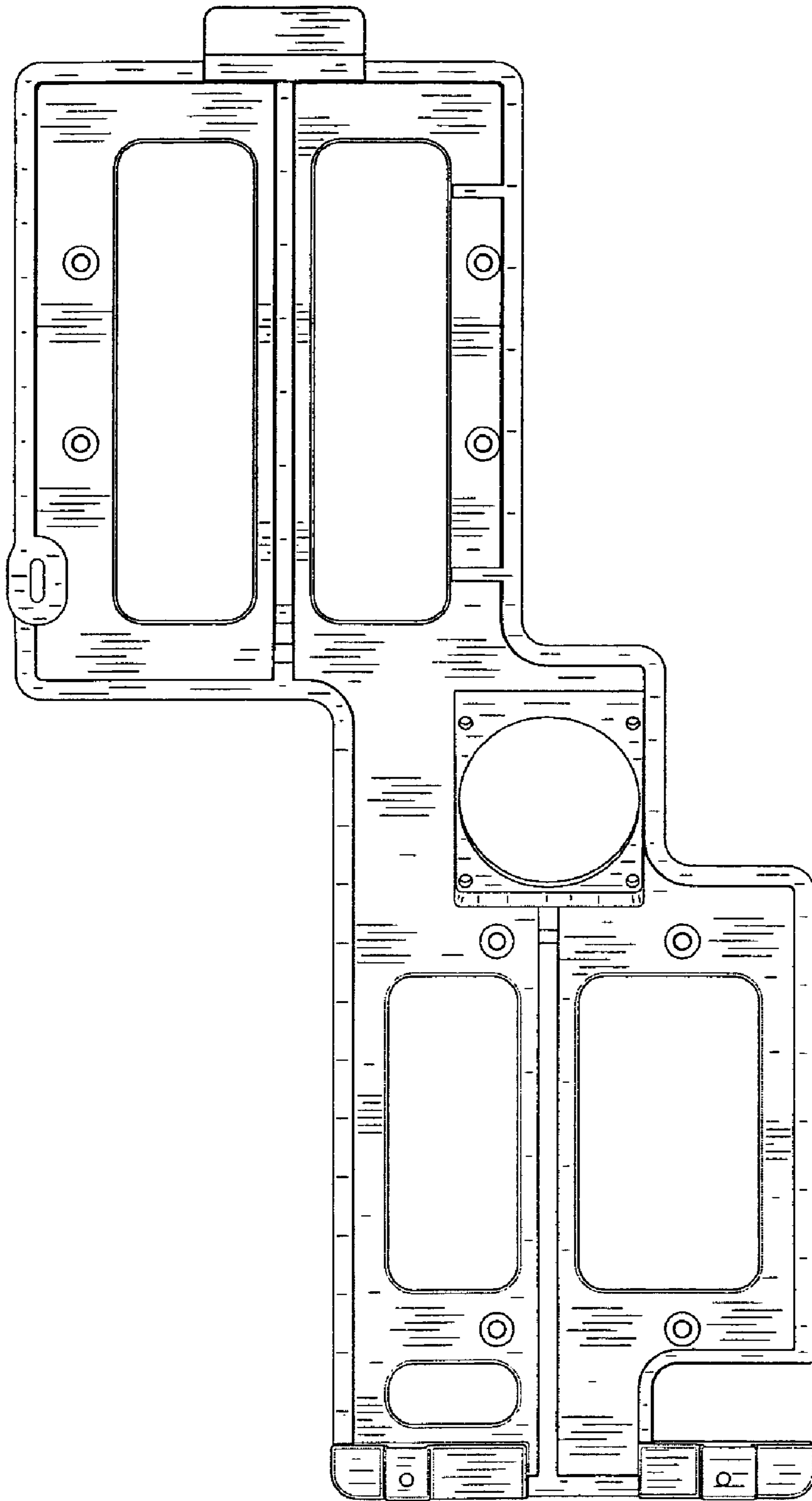


FIG. 7