



US00D564339S

(12) **United States Design Patent**
McDaid

(10) **Patent No.:** **US D564,339 S**
(45) **Date of Patent:** **** Mar. 18, 2008**

(54) **U-LOCK BARREL**

(76) Inventor: **Cornelius McDaid**, 297 S. Main St.,
Randolph, MA (US) 02368

(**) Term: **14 Years**

(21) Appl. No.: **29/266,798**

(22) Filed: **Sep. 28, 2006**

(51) **LOC (8) Cl.** **08-07**

(52) **U.S. Cl.** **D8/343**

(58) **Field of Classification Search** 70/330-348,
70/14, 20, 24, 27, 29, 34, 35, 38 A, 38 B,
70/38 C, 38 R, 39-40, 233, 51-56, 417,
70/455, 423

See application file for complete search history.

(56) **References Cited**

U.S. PATENT DOCUMENTS

4,888,967	A *	12/1989	Kuo	70/52
5,199,282	A *	4/1993	Wang	70/38 A
5,331,830	A *	7/1994	Su	70/38 A
5,406,812	A *	4/1995	Jaw	70/38 A
5,417,092	A *	5/1995	Iu	70/38 A
5,488,845	A *	2/1996	Hsieh	70/38 A
D397,925	S *	9/1998	Byrd, Jr.	D8/334
5,823,021	A *	10/1998	Chang	70/38 A
5,832,762	A *	11/1998	McDaid	70/455
6,022,663	A *	2/2000	Chen et al.	70/38 A
D430,787	S *	9/2000	Liu	D8/333
D454,293	S *	3/2002	Bremicker	D8/334

6,397,648	B1 *	6/2002	Morris et al.	70/423
6,430,975	B1 *	8/2002	McDaid	70/39
6,619,084	B2 *	9/2003	Kuo	70/233
D488,368	S *	4/2004	Vito	D8/343
D533,435	S *	12/2006	Kearns et al.	D8/334

* cited by examiner

Primary Examiner—Mitchell Siegel
(74) *Attorney, Agent, or Firm*—RatnerPrestia

(57) **CLAIM**

The ornamental design for a u-lock barrel, as shown and described.

DESCRIPTION

FIG. 1 is a perspective view of a u-lock barrel according to an embodiment of the present invention;

FIG. 2 is a front elevation view of the u-lock barrel shown in FIG. 1, the rear view being a mirror image thereof;

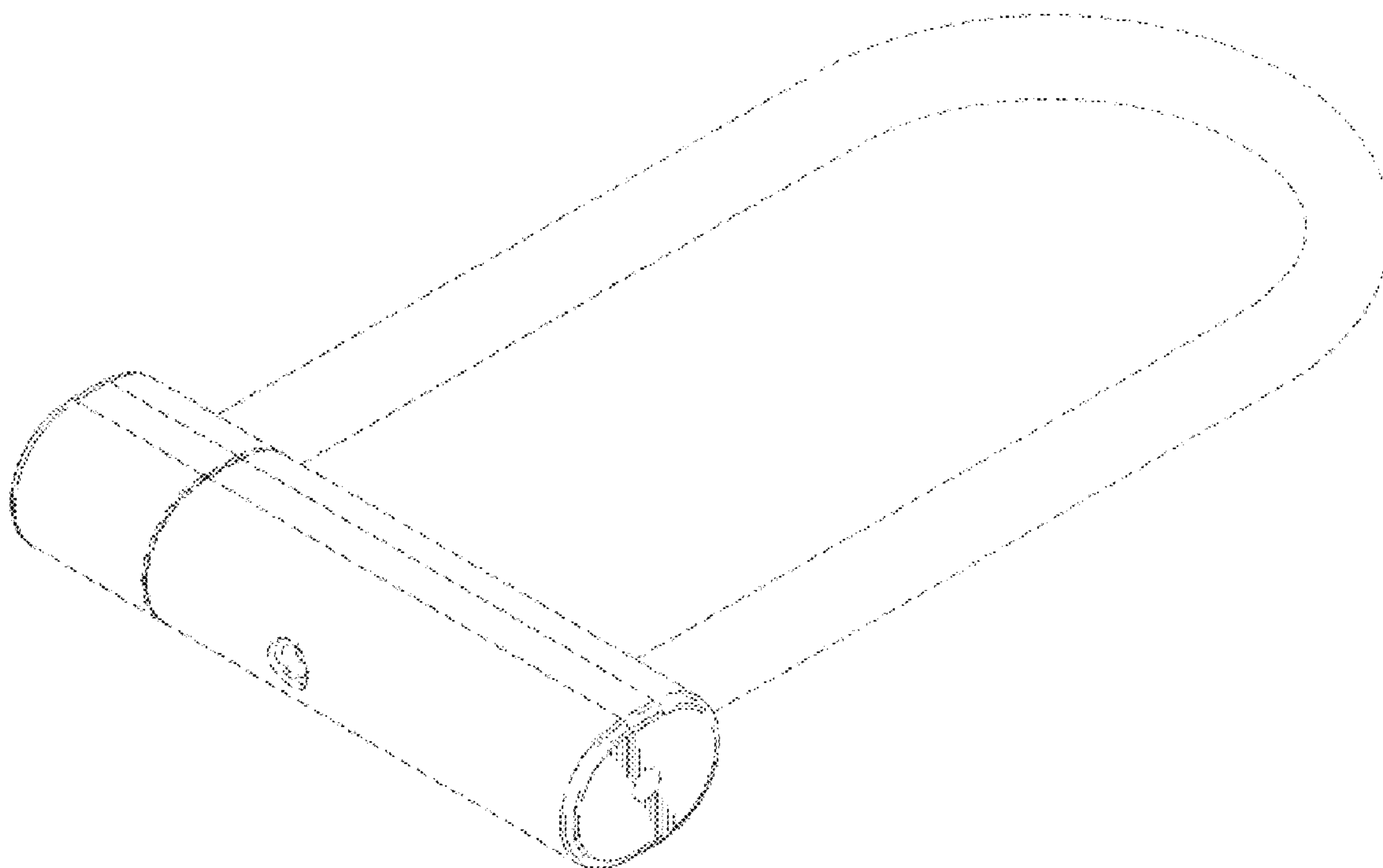
FIG. 3 is a left side view of the u-lock barrel shown in FIG. 1, the right side view being identical thereto;

FIG. 4 is a top plan view of the u-lock barrel shown in FIG. 1; and,

FIG. 5 is a bottom plan view of the u-lock barrel shown in FIG. 1.

In the drawings, broken lines indicate environmental structure or boundaries that form no part of the claimed design.

1 Claim, 3 Drawing Sheets



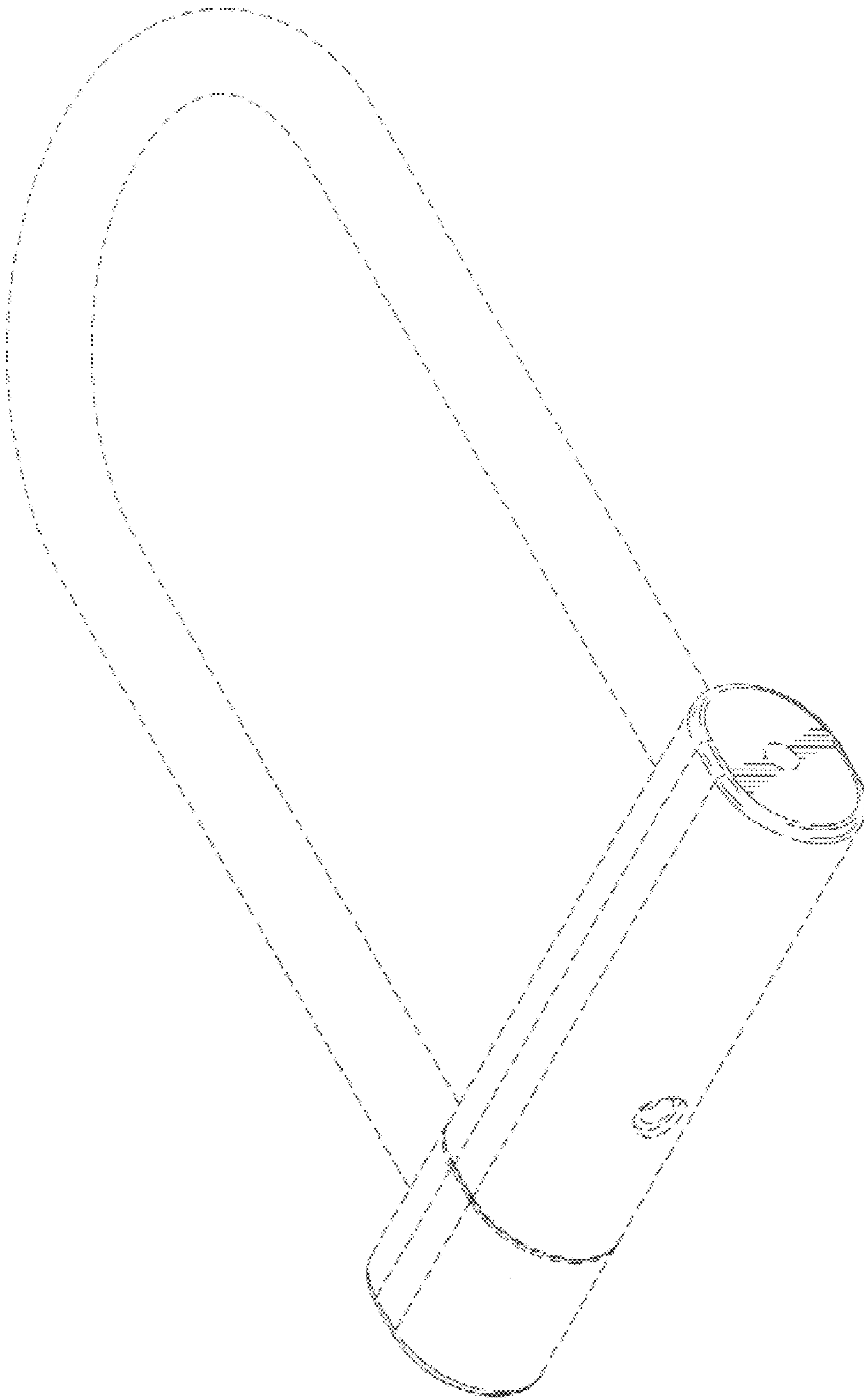


FIG. 1

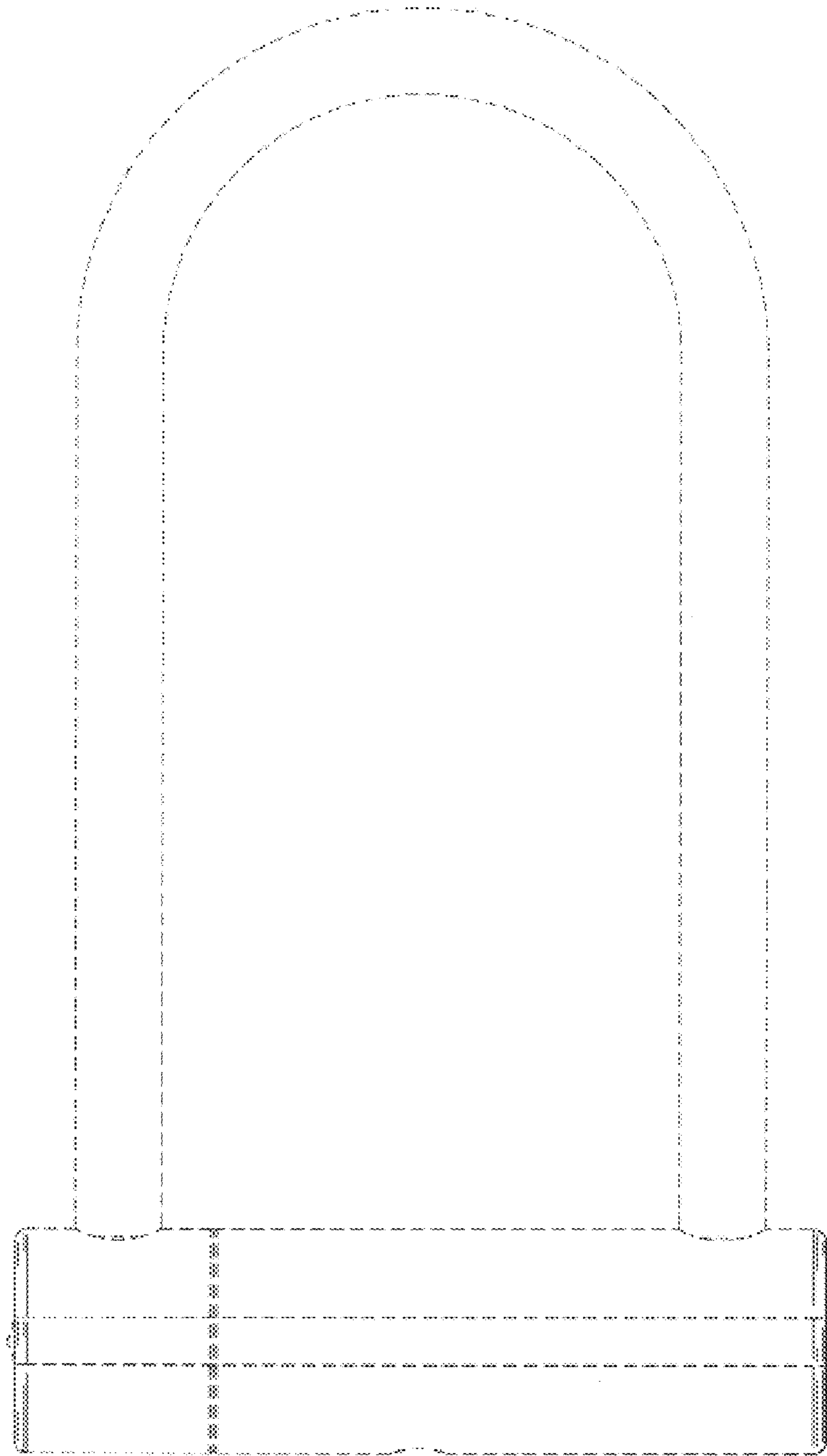


FIG. 2

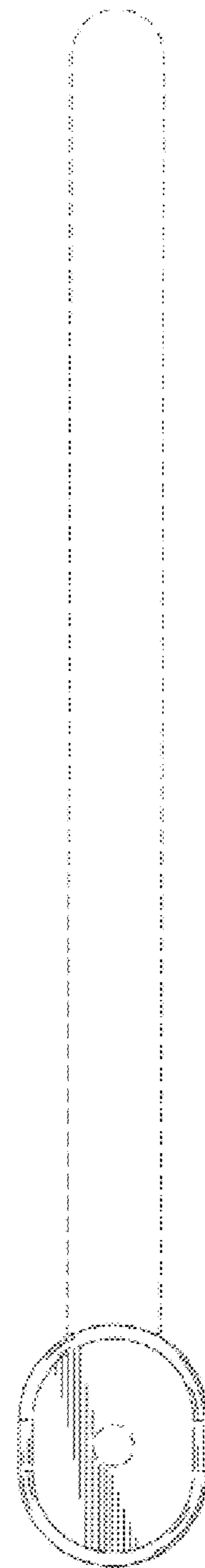


FIG. 3

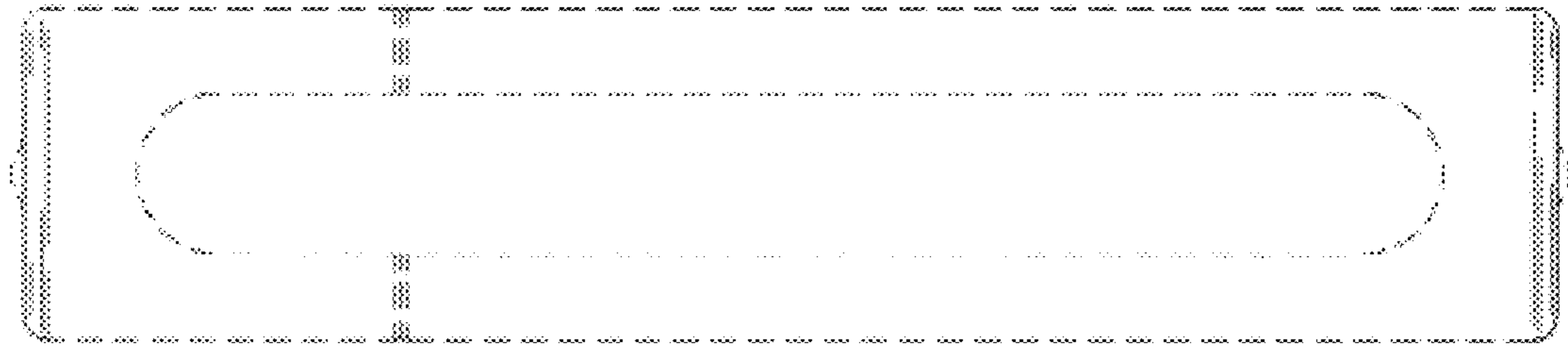


FIG. 4

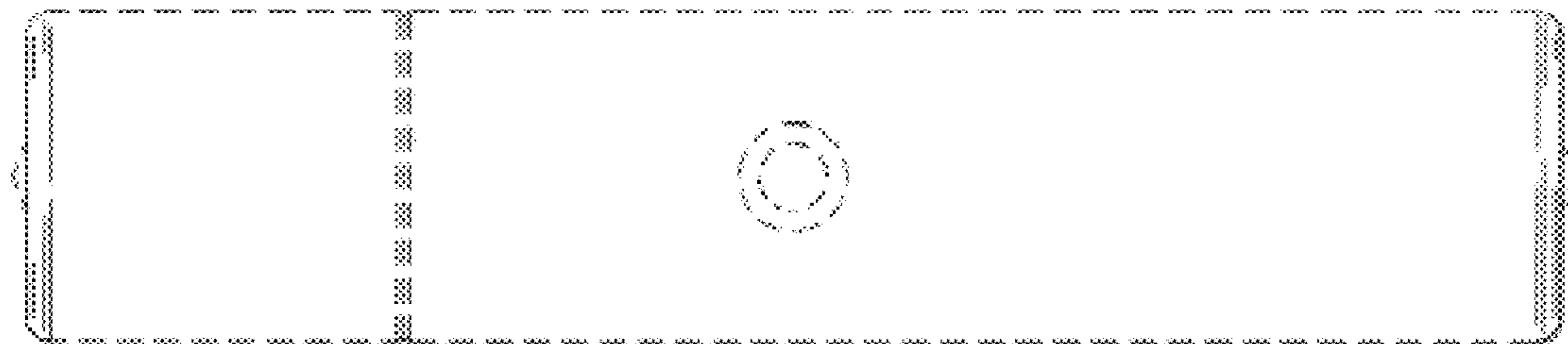


FIG. 5