

US00D564338S

(12) **United States Design Patent**
Lu

(10) **Patent No.:** **US D564,338 S**
(45) **Date of Patent:** **** Mar. 18, 2008**

(54) **LOCK**
(75) Inventor: **Chien-Chih Lu**, Kaohsiung County (TW)
(73) Assignee: **MIZ Engineering Ltd.**, Kaohsiung County (TW)
(**) Term: **14 Years**
(21) Appl. No.: **29/264,849**
(22) Filed: **Aug. 21, 2006**

D482,951 S * 12/2003 Ling D8/331
D523,729 S * 6/2006 Gorst D8/333
D525,109 S * 7/2006 Watson et al. D8/330

* cited by examiner

Primary Examiner—Mitchell Siegel
(74) *Attorney, Agent, or Firm*—Birch, Stewart, Kolasch & Birch, LLP

(51) **LOC (8) Cl.** **08-07**
(52) **U.S. Cl.** **D8/331**
(58) **Field of Classification Search** D8/330-348;
70/57-58, 431, 14, 163, 158, 174, 69, 78,
70/80, 232
See application file for complete search history.

(57) **CLAIM**

The ornamental design for “lock,” as shown and described.

DESCRIPTION

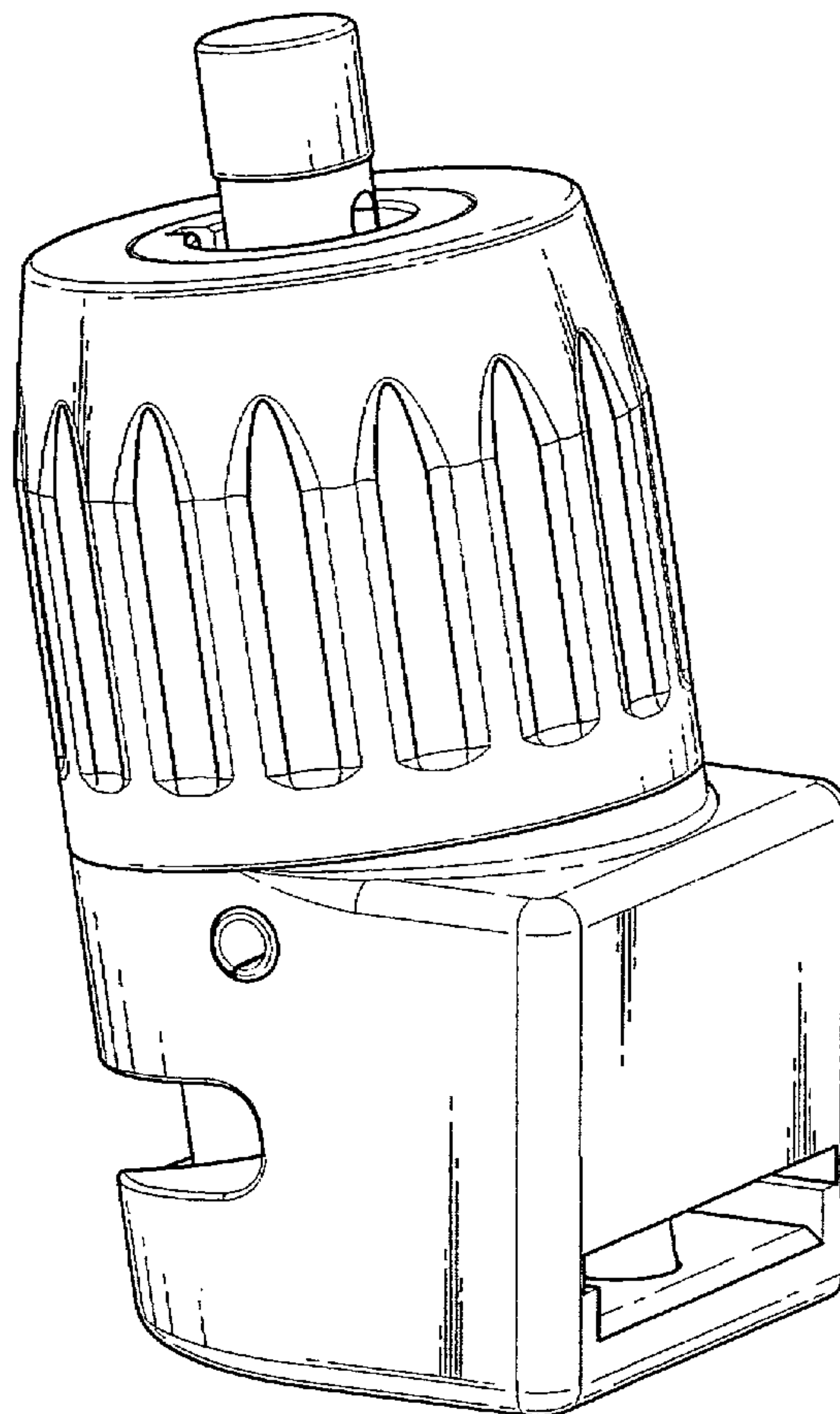
FIG. 1 is a perspective view of “lock ” showing my new design thereof;
FIG. 2 is a right side elevational view thereof;
FIG. 3 is a top plan view thereof;
FIG. 4 is a front side elevational view thereof;
FIG. 5 is a bottom plan view thereof.;
FIG. 6 is a left side elevational view thereof; and,
FIG. 7 is a rear side elevational view thereof.

(56) **References Cited**

U.S. PATENT DOCUMENTS

4,656,848 A * 4/1987 Rose 70/58
D370,621 S * 6/1996 Themistos et al. D8/343
D441,635 S * 5/2001 Chen D8/330
D442,057 S * 5/2001 Chen D8/330

1 Claim, 7 Drawing Sheets



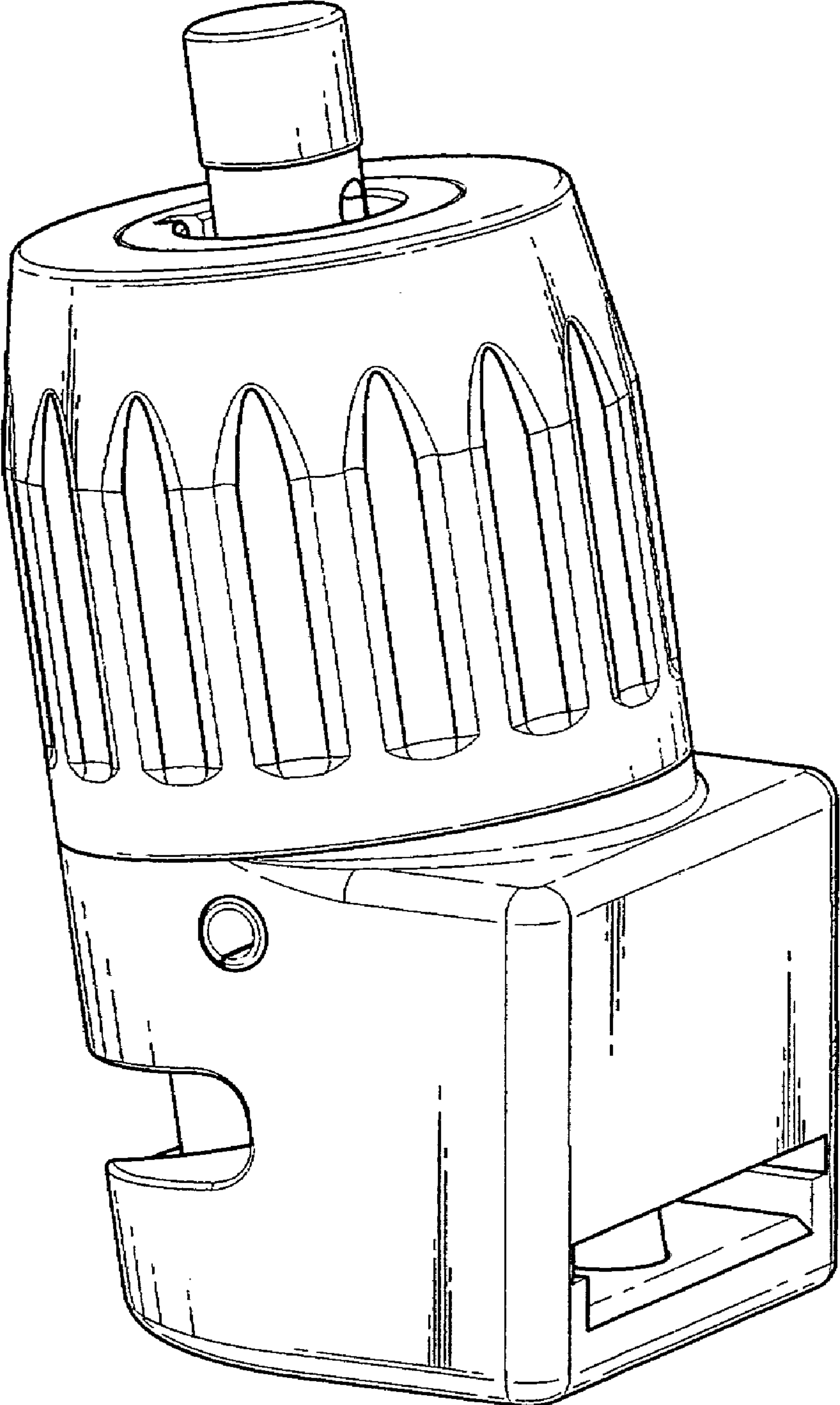


FIG. 1

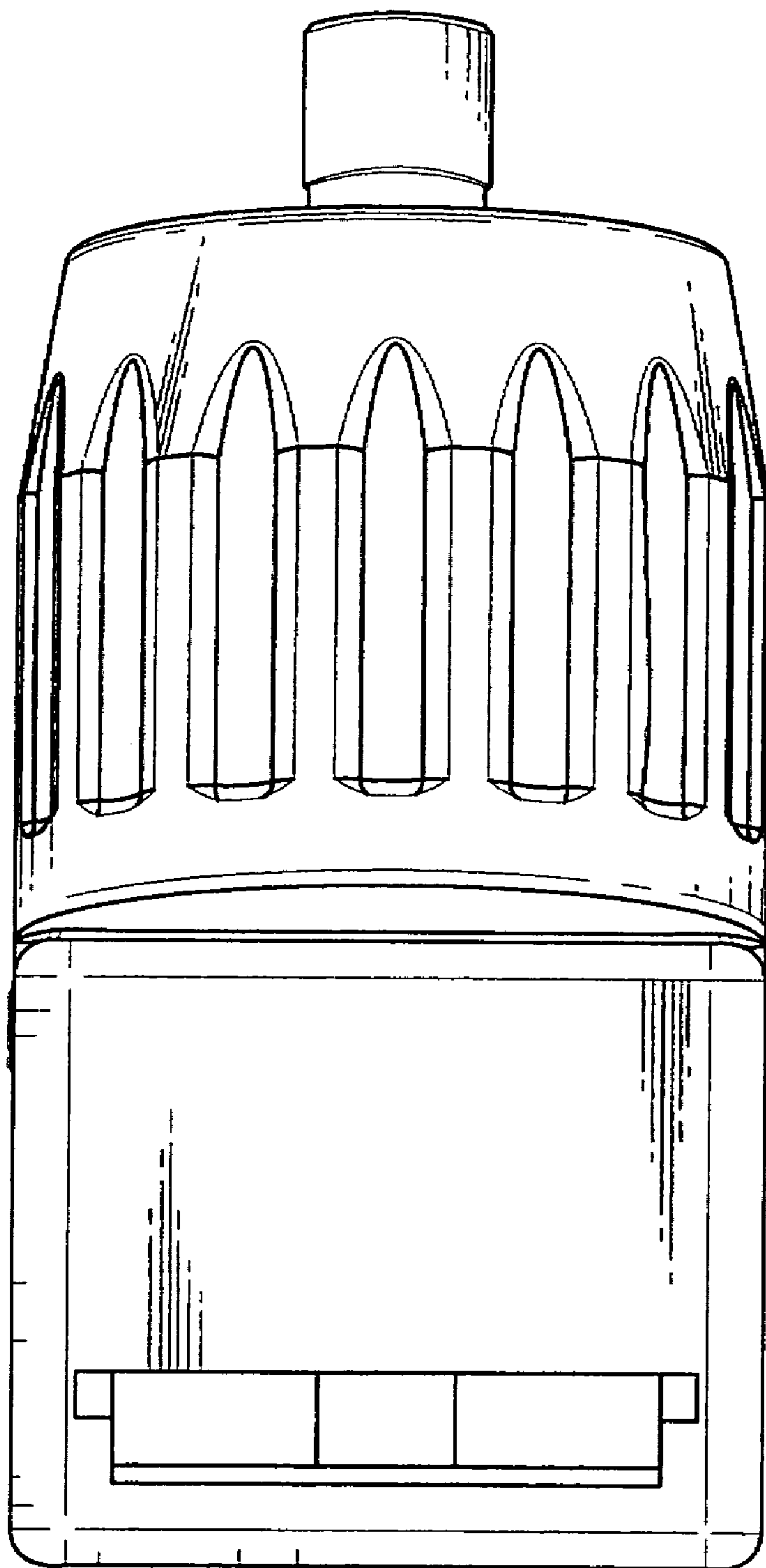


FIG. 2

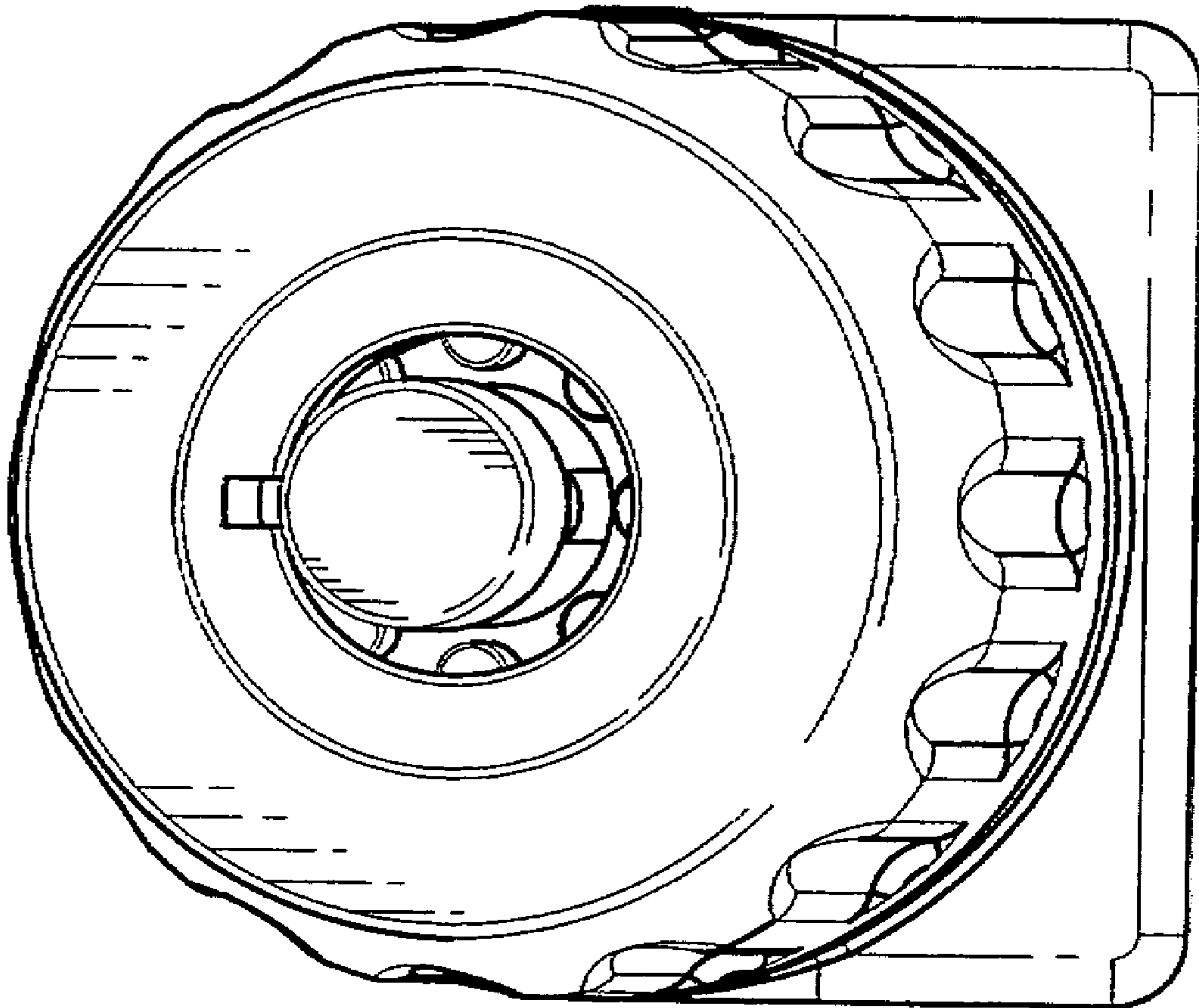


FIG. 3

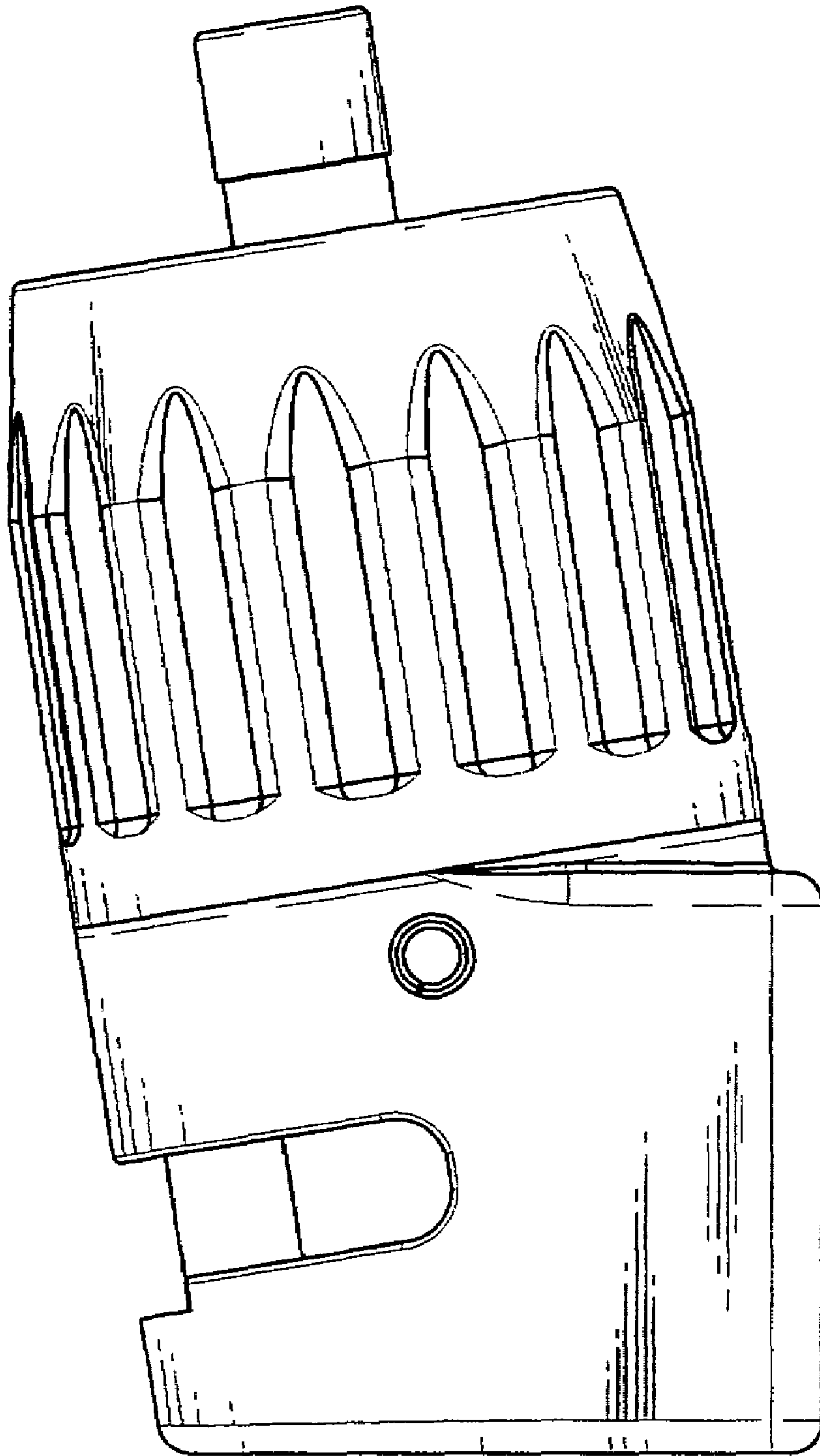


FIG. 4

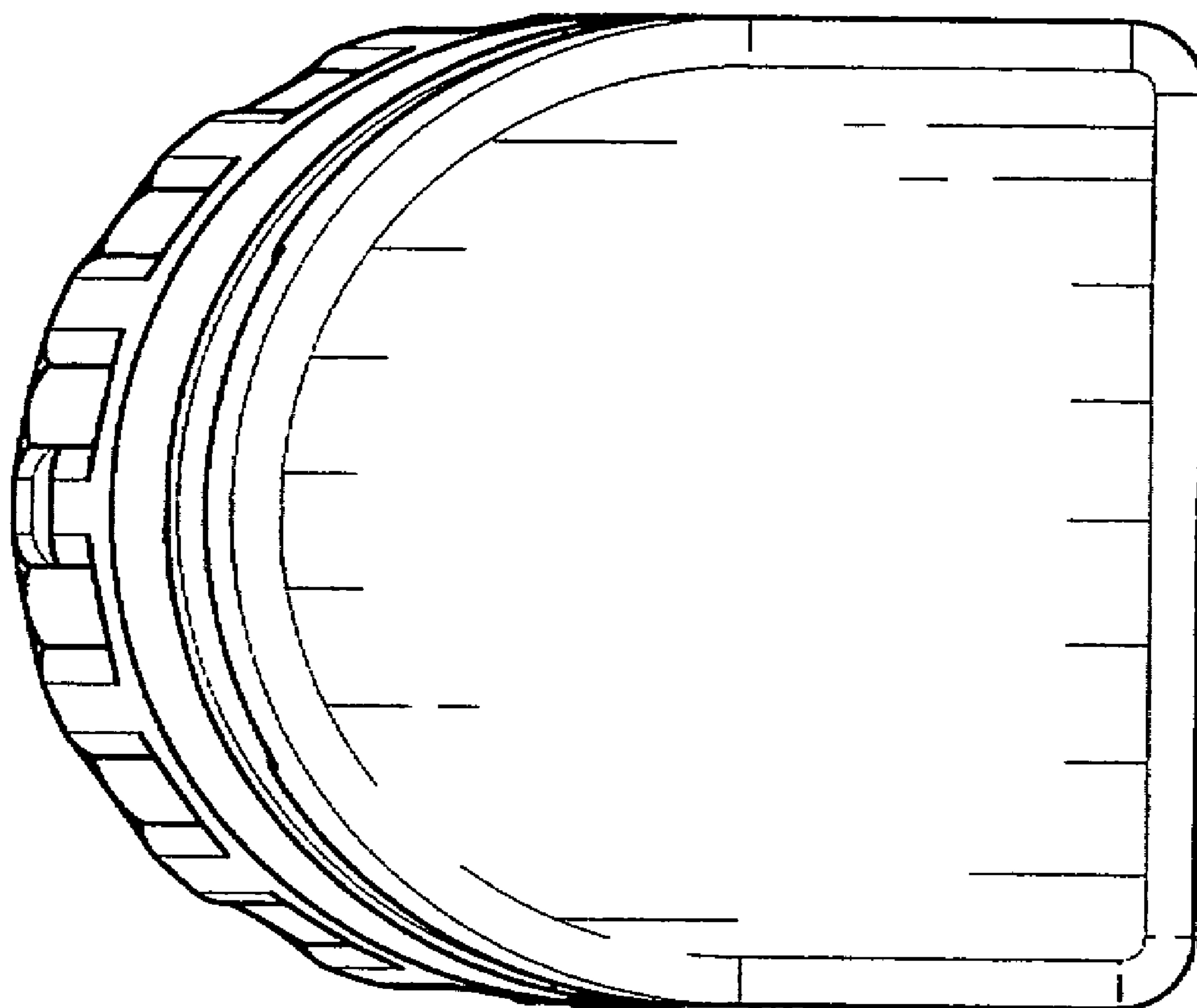


FIG. 5

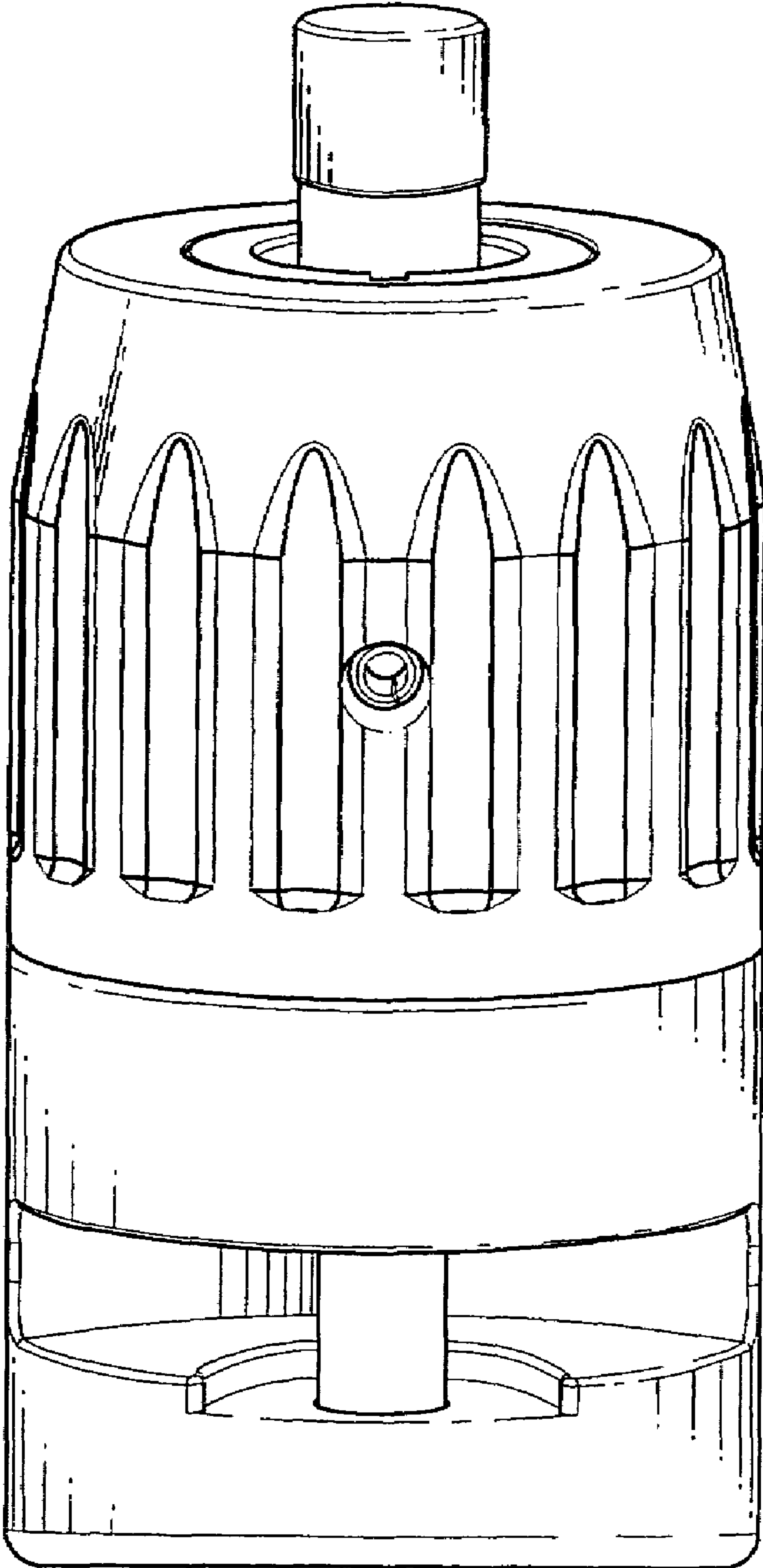


FIG. 6

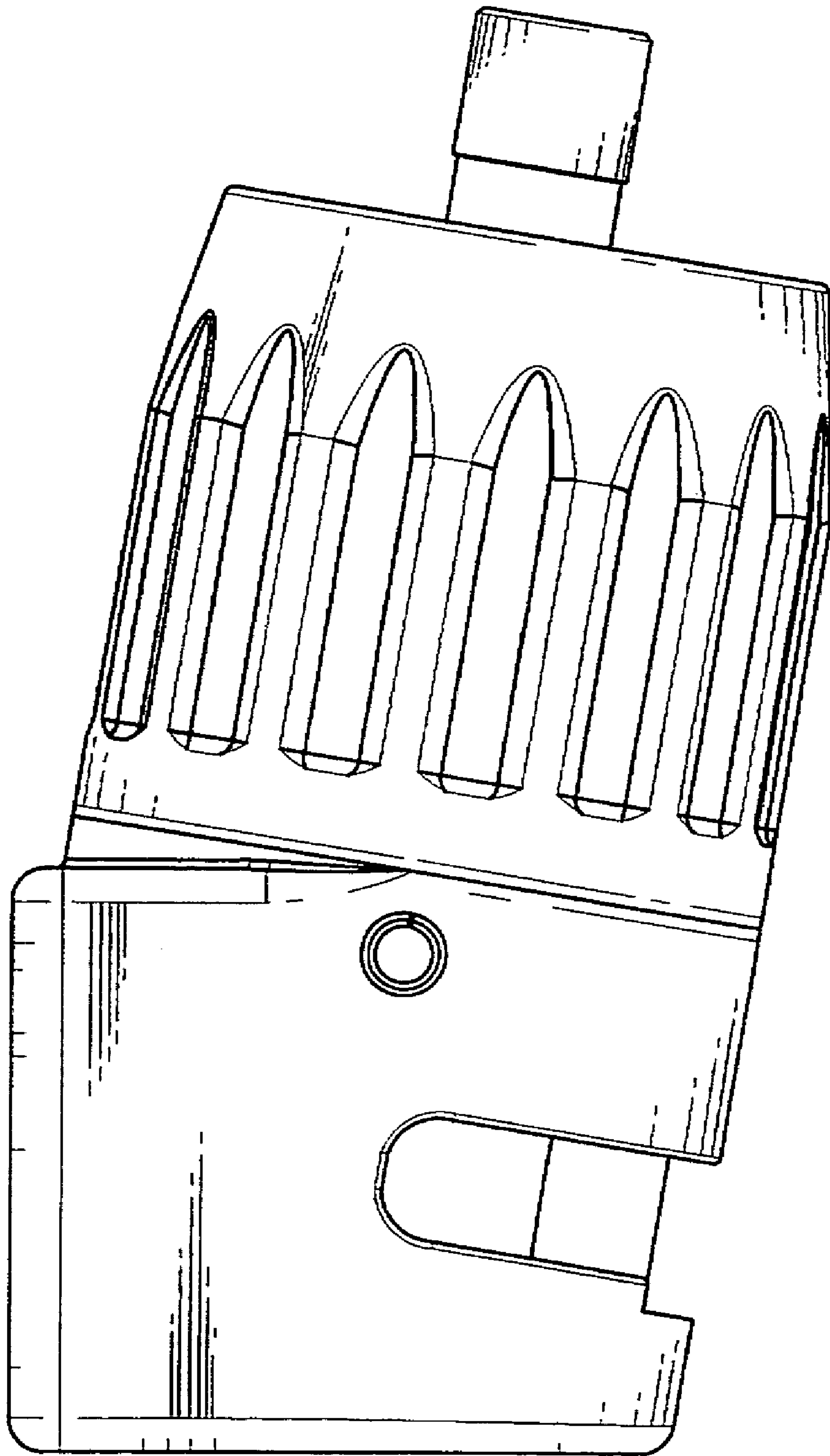


FIG. 7