



US00D564336S

(12) **United States Design Patent**
McConnell

(10) **Patent No.:** **US D564,336 S**
(45) **Date of Patent:** **** Mar. 18, 2008**

(54) **PULL**

(75) Inventor: **Jennifer McConnell**, Greensboro, NC
(US)

(73) Assignee: **Liberty Hardware Mfg. Corp.**,
Winston-Salem, NC (US)

(**) Term: **14 Years**

(21) Appl. No.: **29/286,675**

(22) Filed: **May 16, 2007**

(51) **LOC (8) Cl.** **08-06**

(52) **U.S. Cl.** **D8/316**

(58) **Field of Classification Search** D8/300-303,
D8/305, 307, 308, 310-312, 315-321, DIG. 1,
D8/DIG. 2; D7/393, 394, 405; D3/318;
D23/303, 305; D6/524, 533, 549, 550; D15/89;
292/347, 336.3; 16/441, 118, 110 R, 111 R,
16/DIG. 19, DIG. 30, DIG. 5, 110.1, 402,
16/412, 414-420, 443-446; 211/16, 182;
220/752-754, 912

See application file for complete search history.

(56) **References Cited**

U.S. PATENT DOCUMENTS

D227,437 S * 6/1973 Pawlow D8/305
D257,476 S * 11/1980 Sirois D8/316
D274,035 S * 5/1984 Pawlow D8/316

D299,110 S * 12/1988 Jans D8/316
D301,200 S * 5/1989 Jans D8/305
D337,507 S * 7/1993 Jans D8/316
D438,776 S * 3/2001 Boscherini D8/316
D470,742 S * 2/2003 Fields D8/316
D471,075 S * 3/2003 Fields D8/316

* cited by examiner

Primary Examiner—Stella M. Reid

Assistant Examiner—Mark Goodwin

(74) *Attorney, Agent, or Firm*—Edgar A. Zarins; Lloyd D. Doigan

(57) **CLAIM**

The ornamental design for a pull, as shown and described.

DESCRIPTION

FIG. 1 is a perspective view of a pull showing my new design;

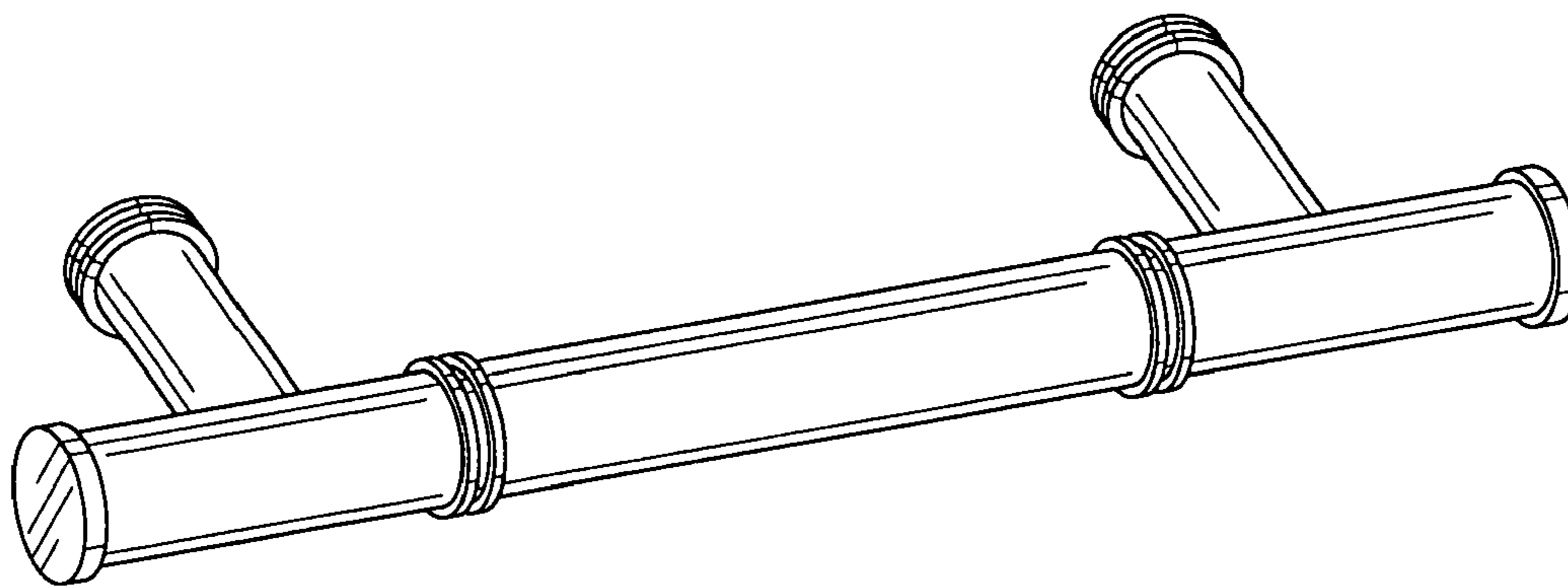
FIG. 2 is a front elevational view thereof;

FIG. 3 is a top plan view thereof, the opposite side being a mirror image of the side shown; and,

FIG. 4 is a first end view thereof, the opposite end being a mirror image of the end shown.

All views of the claim not shown form no part of the claimed design.

1 Claim, 1 Drawing Sheet



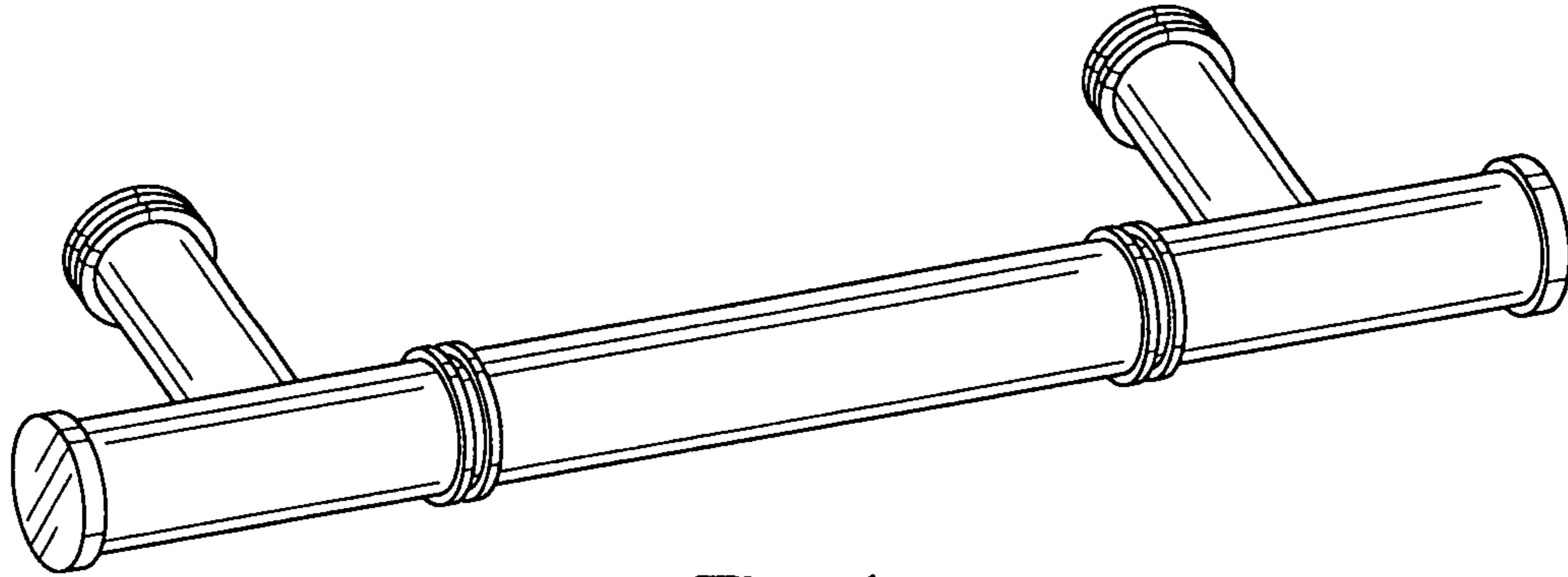


Fig-1

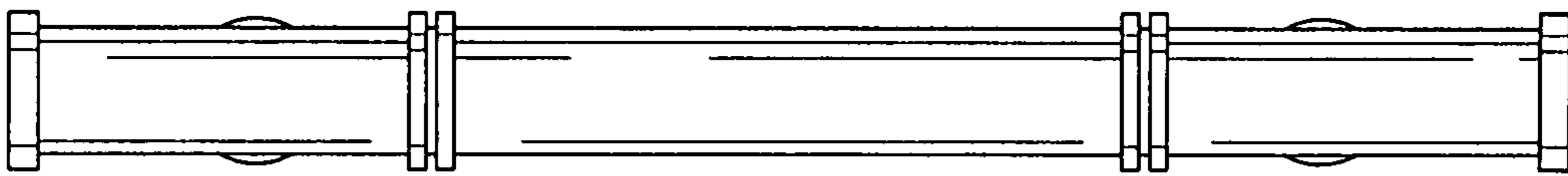


Fig-2

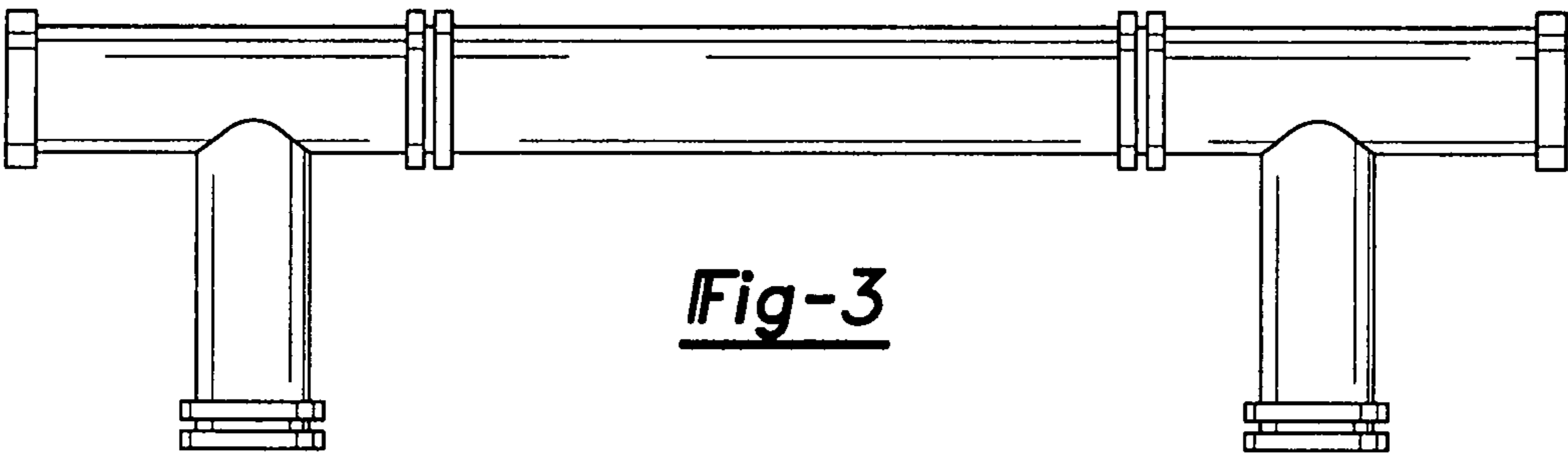


Fig-3

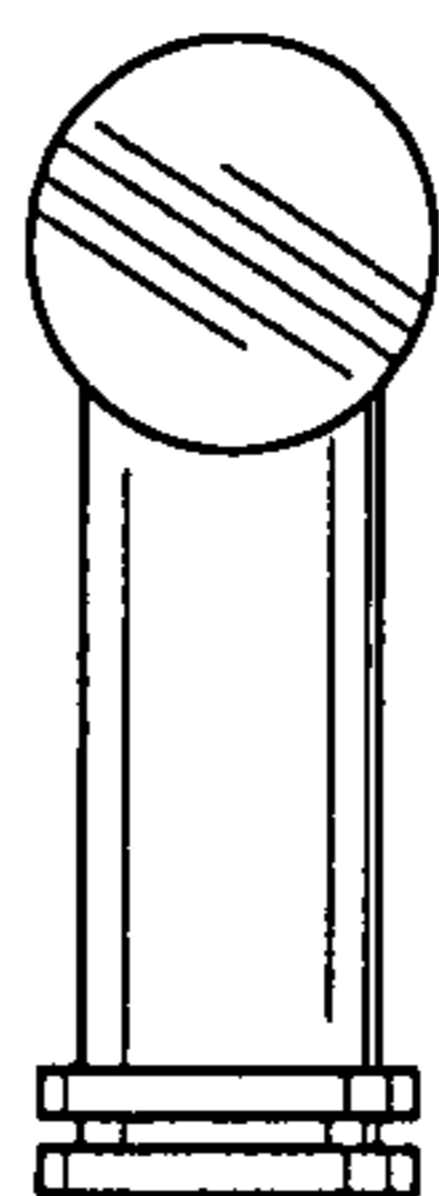


Fig-4