

US00D564334S

(12) **United States Design Patent**  
**Lee**

(10) **Patent No.:** **US D564,334 S**  
(45) **Date of Patent:** **\*\* Mar. 18, 2008**

(54) **PULL**  
(75) Inventor: **Chia Ying Lee**, Chicago, IL (US)  
(73) Assignee: **Liberty Hardware Mfg. Corp.**,  
Winston-Salem, NC (US)  
(\*\*) Term: **14 Years**  
(21) Appl. No.: **29/286,160**  
(22) Filed: **Apr. 25, 2007**

D294,669 S \* 3/1988 Litowitz ..... D6/581  
D356,485 S \* 3/1995 Off ..... D8/317  
D402,530 S \* 12/1998 Simons et al. .... D8/317  
D493,648 S \* 8/2004 Hoernig ..... D6/549  
D494,808 S \* 8/2004 Thomkins ..... D7/394  
D551,497 S \* 9/2007 Rae ..... D7/394

\* cited by examiner

*Primary Examiner*—Stella M. Reid  
*Assistant Examiner*—Mark Goodwin  
(74) *Attorney, Agent, or Firm*—Edgar A. Zarins; Lloyd D. Doigan

(51) **LOC (8) Cl.** ..... **08-06**  
(52) **U.S. Cl.** ..... **D8/316**  
(58) **Field of Classification Search** ..... D8/300–303,  
D8/305, 307, 308, 310–312, 315–321, DIG. 1,  
D8/DIG. 2; D7/393, 394, 405; D3/318;  
D23/303, 305; D6/524, 533, 549, 550; D15/89;  
292/347, 336.3; 16/441, 118, 110 R, 111 R,  
16/DIG. 19, DIG. 30, DIG. 5, 110.1, 402,  
16/412, 414–420, 443–446; 211/16, 182;  
220/752–754, 912

(57) **CLAIM**

The ornamental design for a pull, as shown and described.

See application file for complete search history.

**DESCRIPTION**

FIG. 1 is a perspective view of a pull showing my new design;  
FIG. 2 is a front elevational view thereof;  
FIG. 3 is a top plan view thereof; and,  
FIG. 4 is a left end view thereof, the opposite end being a mirror image of the end shown.

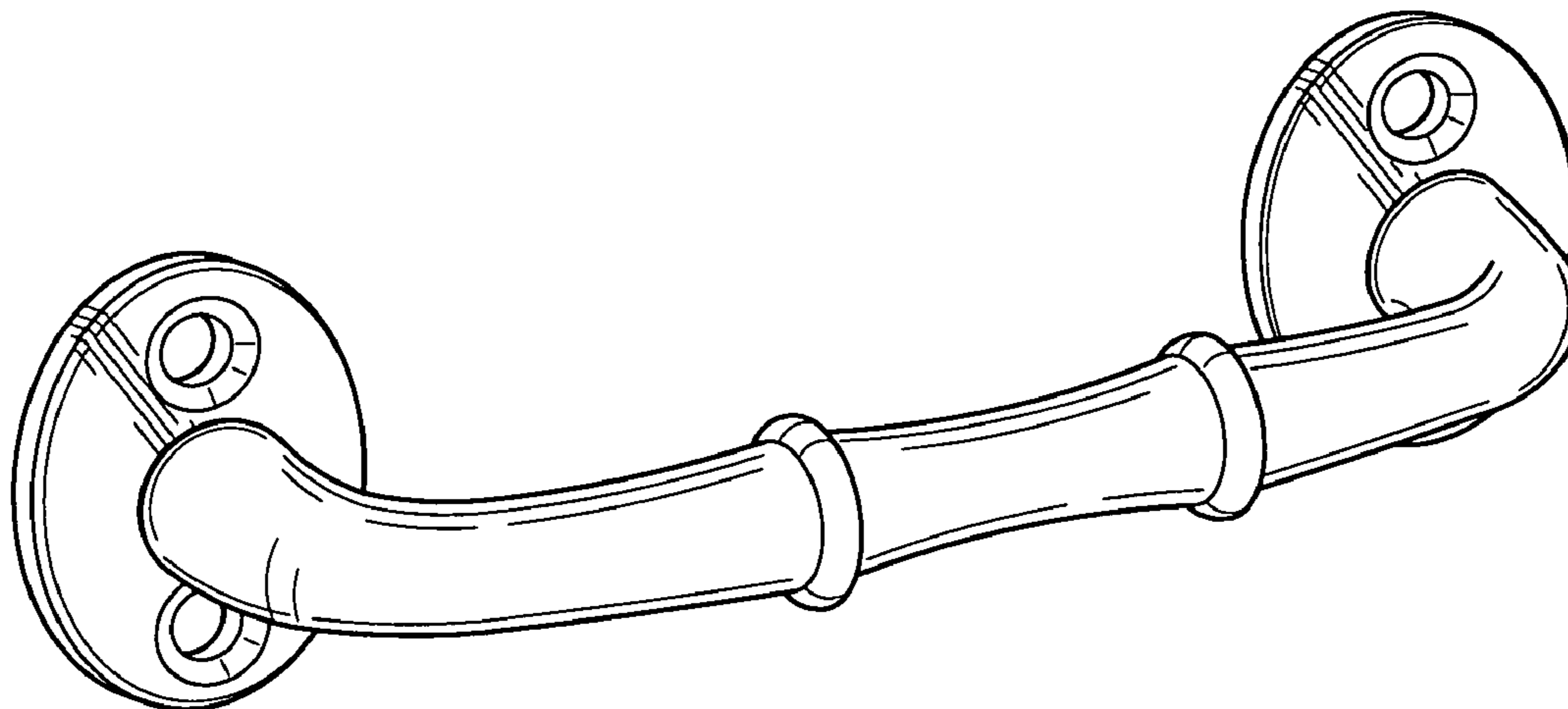
All views of the claim not shown form no part of the claimed design.

(56) **References Cited**

**U.S. PATENT DOCUMENTS**

D59,782 S \* 11/1921 Roth ..... D8/317  
3,523,322 A \* 8/1970 Rossow ..... 16/412  
D239,798 S \* 5/1976 Vrignaud ..... D8/316

**1 Claim, 1 Drawing Sheet**



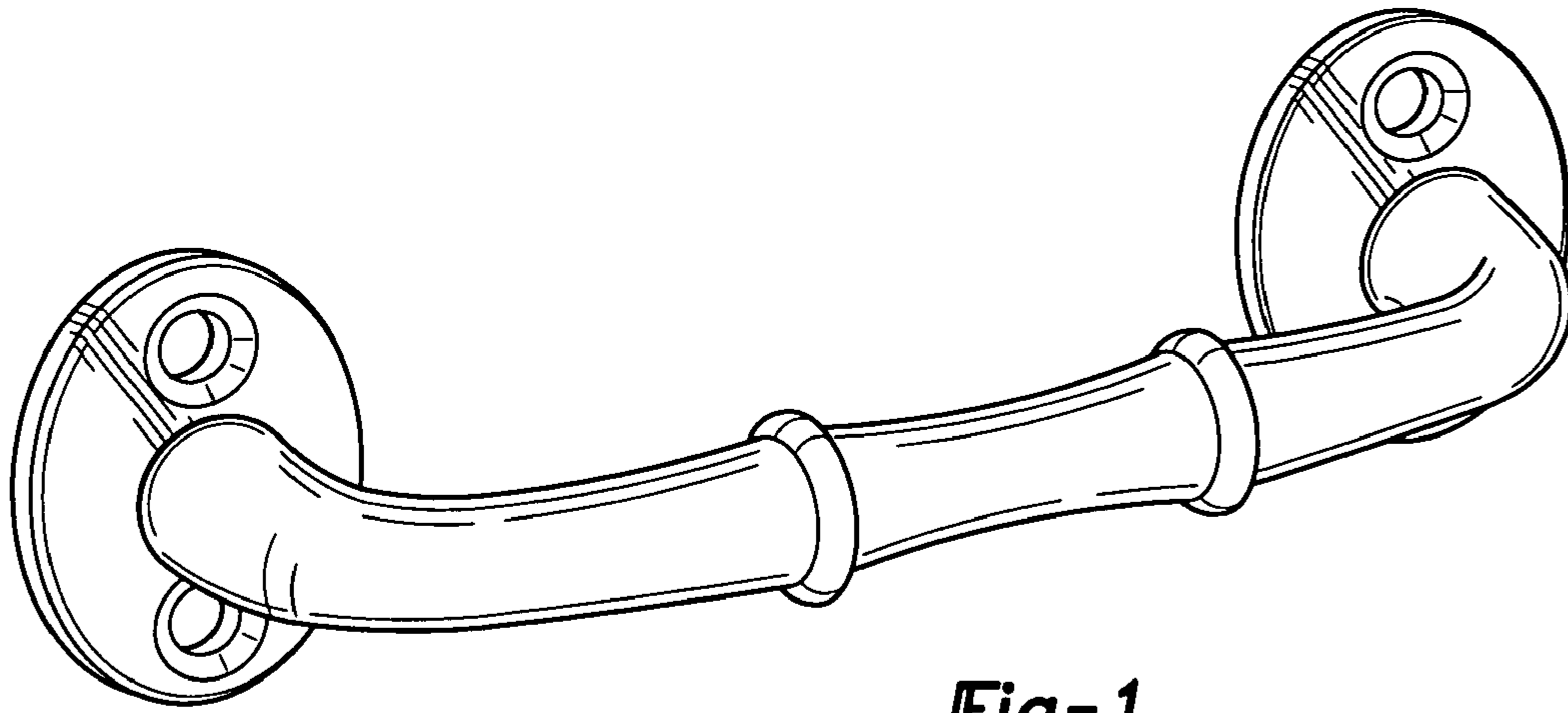


Fig-1

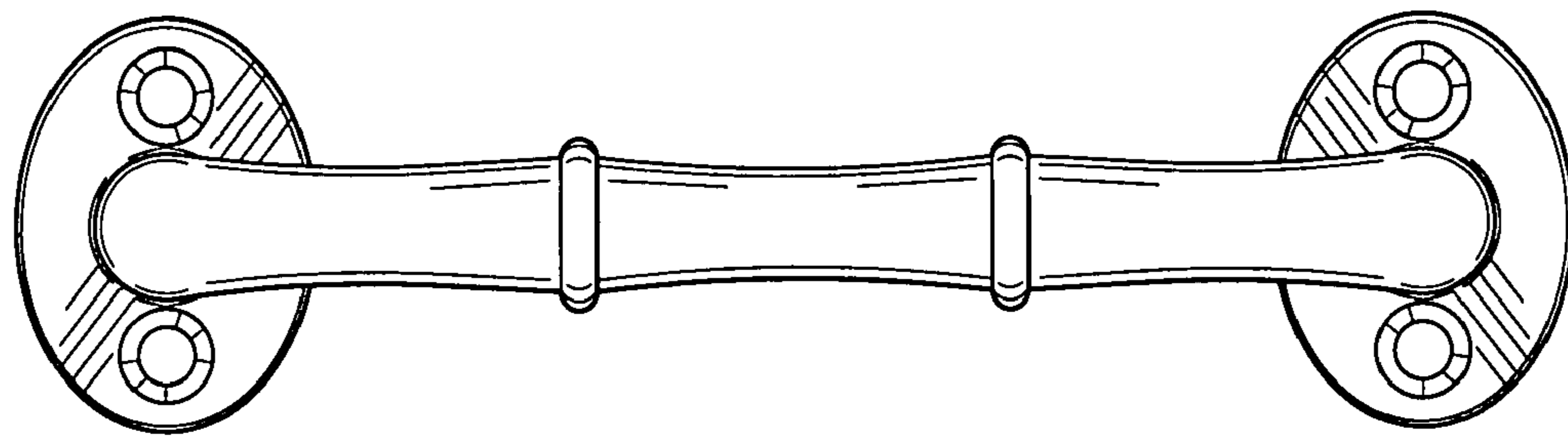


Fig-2

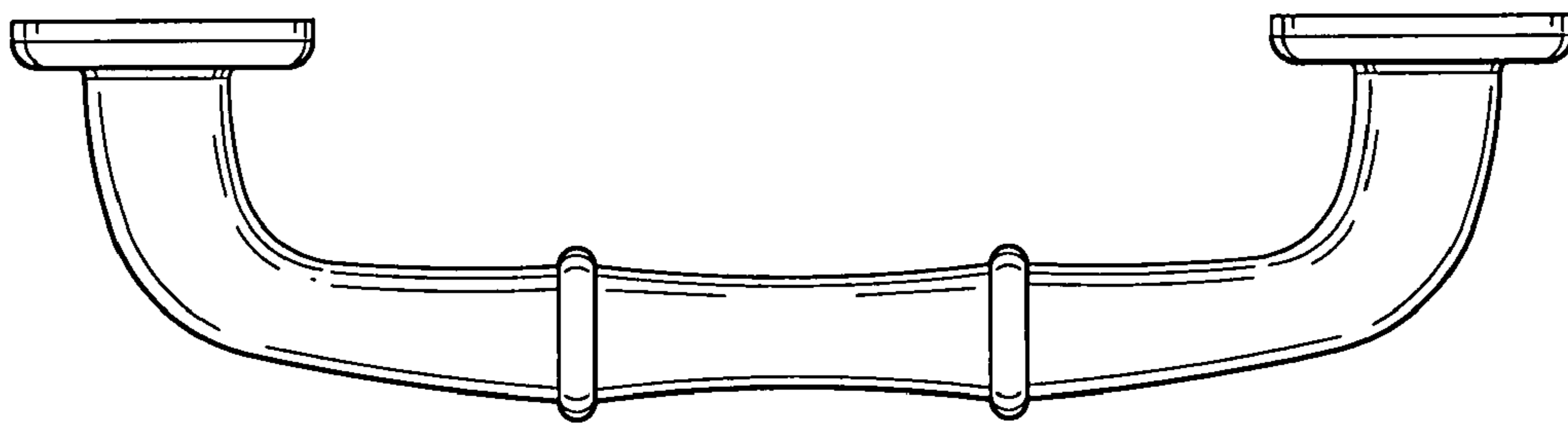


Fig-3

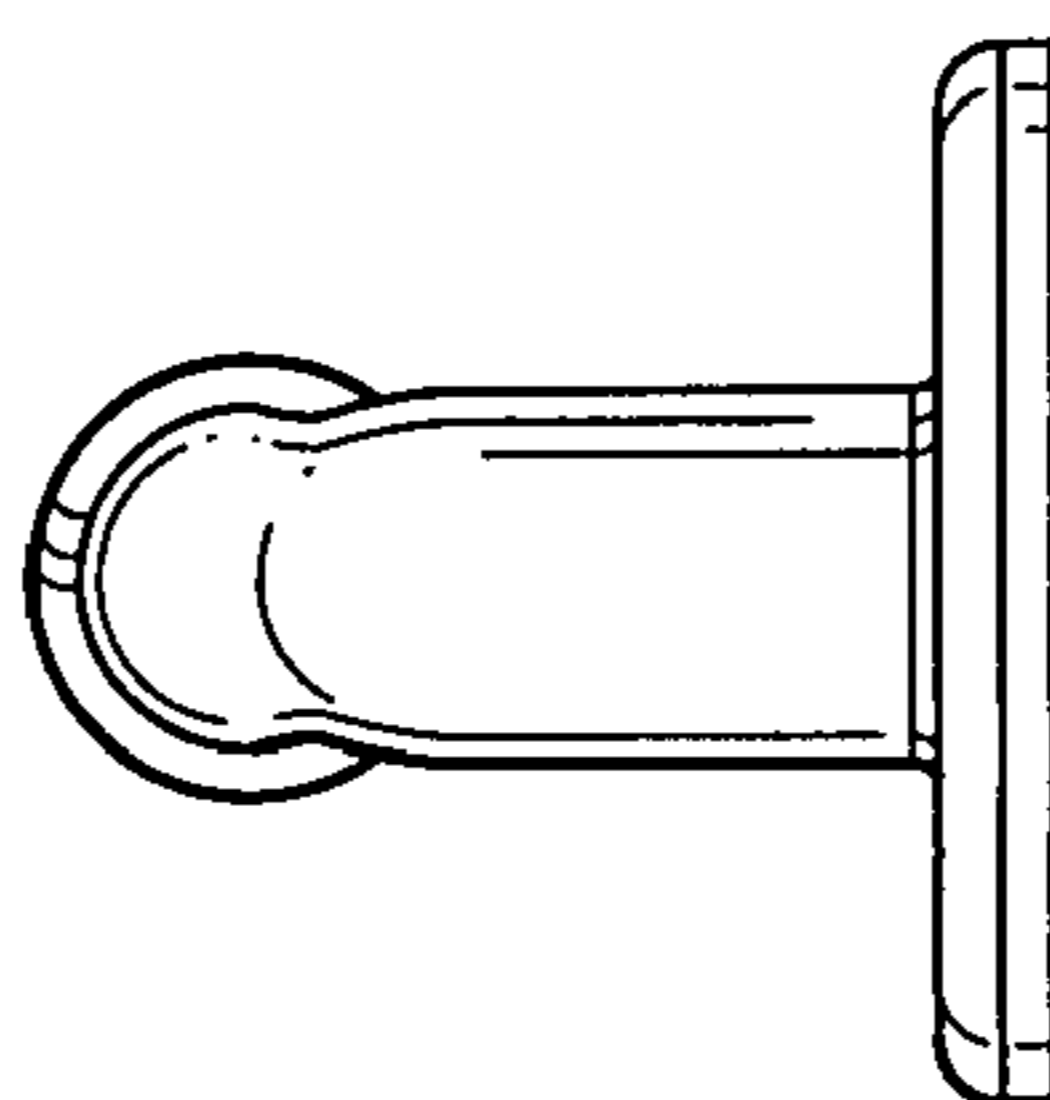


Fig-4