



US00D564330S

(12) **United States Design Patent** (10) **Patent No.:** **US D564,330 S**
Beukema et al. (45) **Date of Patent:** **** Mar. 18, 2008**

(54) **INTEGRAL LOCK AND DRAWER PULL** 3,428,349 A * 2/1969 Shelton 292/288
3,930,678 A * 1/1976 Alexander 292/288
(75) Inventors: **Steven James Beukema**, Grand Rapids, MI (US); **Brett R. Kincaid**, Lowell, MI (US) 3,938,839 A * 2/1976 Collier 292/258
3,975,041 A * 8/1976 Edison 292/258
3,997,205 A * 12/1976 MacDonald 292/288
4,130,309 A * 12/1978 Lewis 292/258
(73) Assignee: **Steelcase Development Corporation**, Grand Rapids, MI (US) 4,379,576 A * 4/1983 Blough et al. 292/205
6,412,317 B1 7/2002 Martin

(**) Term: **14 Years**

(21) Appl. No.: **29/260,274**

(22) Filed: **May 23, 2006**

(51) **LOC (8) Cl.** **08-06**

(52) **U.S. Cl.** **D8/300**

(58) **Field of Classification Search** D8/300,
D8/302, 313, 315, 317, 319, DIG. 10; 70/62,
70/87, 91, 92, 97, 100, 108, 114, 129, 145,
70/152, 153, 175, 194, 288, 337; 16/85;
312/333, 234.4; 292/45, 62, 85, 129, 145,
292/194, 205, 300, 337, 256, 258; 454/214,
454/215; 116/28 A; 220/324

See application file for complete search history.

(56) **References Cited**

U.S. PATENT DOCUMENTS

726,192 A * 4/1903 Reely 292/256
1,950,600 A * 3/1934 De Orlow 292/62
2,695,806 A * 11/1954 Balint 292/258
2,775,001 A * 12/1956 Baker 454/214
2,918,318 A * 12/1959 Sacharski 292/87
3,118,298 A * 1/1964 Holmes 70/100
3,420,399 A * 1/1969 Heisler 220/324

* cited by examiner

Primary Examiner—Paula A. Greene

(74) *Attorney, Agent, or Firm*—Quarles & Brady LLP

(57) **CLAIM**

The ornamental design for an integral lock and drawer pull, as shown and described.

DESCRIPTION

In a preferred embodiment, the nature of this product is an integral lock and drawer pull for a desk drawer.

FIG. 1 is a front, right, upper perspective view of an integral lock and drawer pull embodying our new design;

FIG. 2 is a front elevational view thereof;

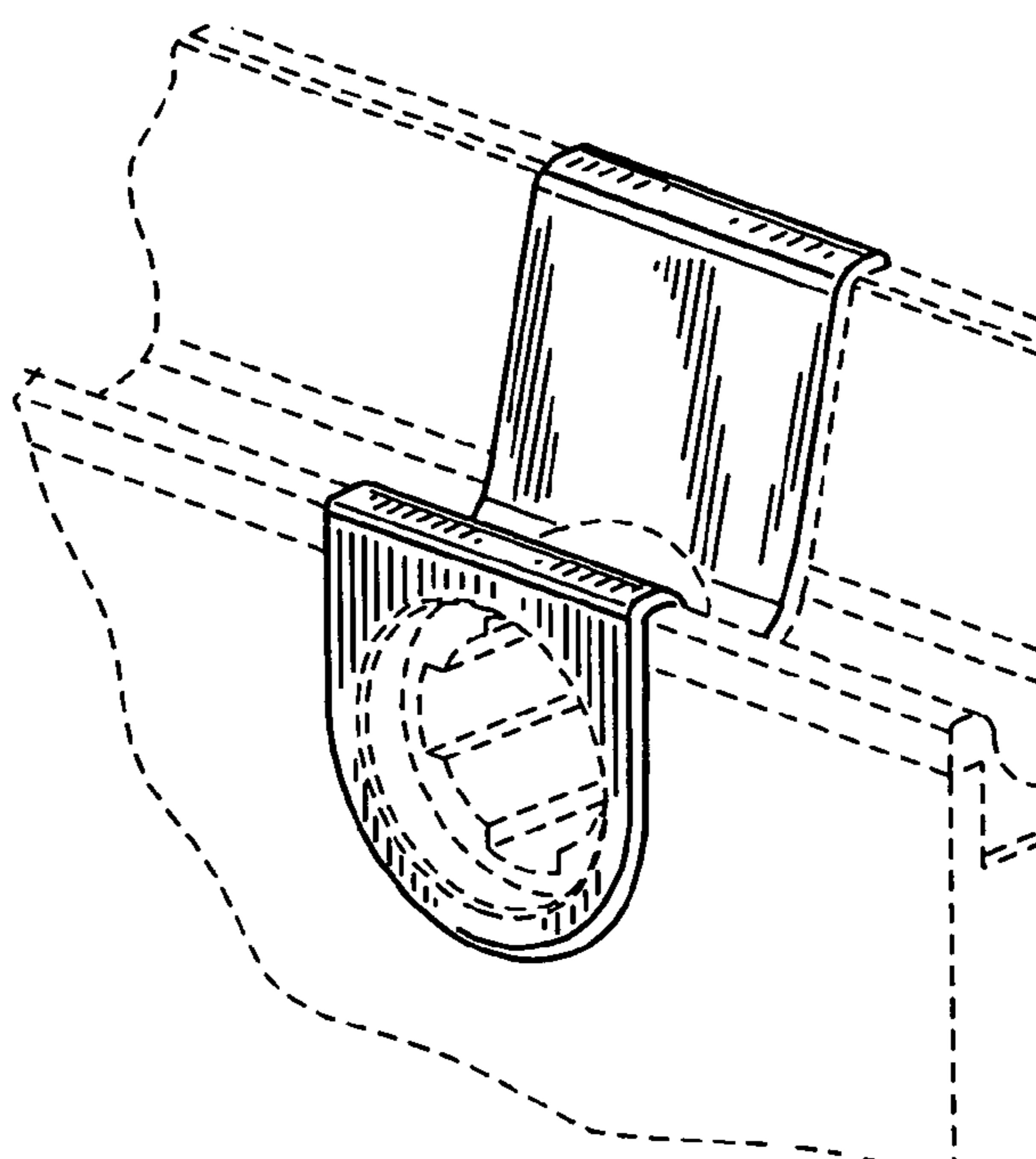
FIG. 3 is a right side elevational view thereof, the left side elevational view being a mirror image thereof;

FIG. 4 is a top plan view thereof; and,

FIG. 5 is a bottom plan view thereof.

The broken line representations of lock structure in FIGS. 1–5 and drawer structure in FIGS. 1–5 are for the purpose of illustration only, and form no part of the claimed design.

1 Claim, 2 Drawing Sheets



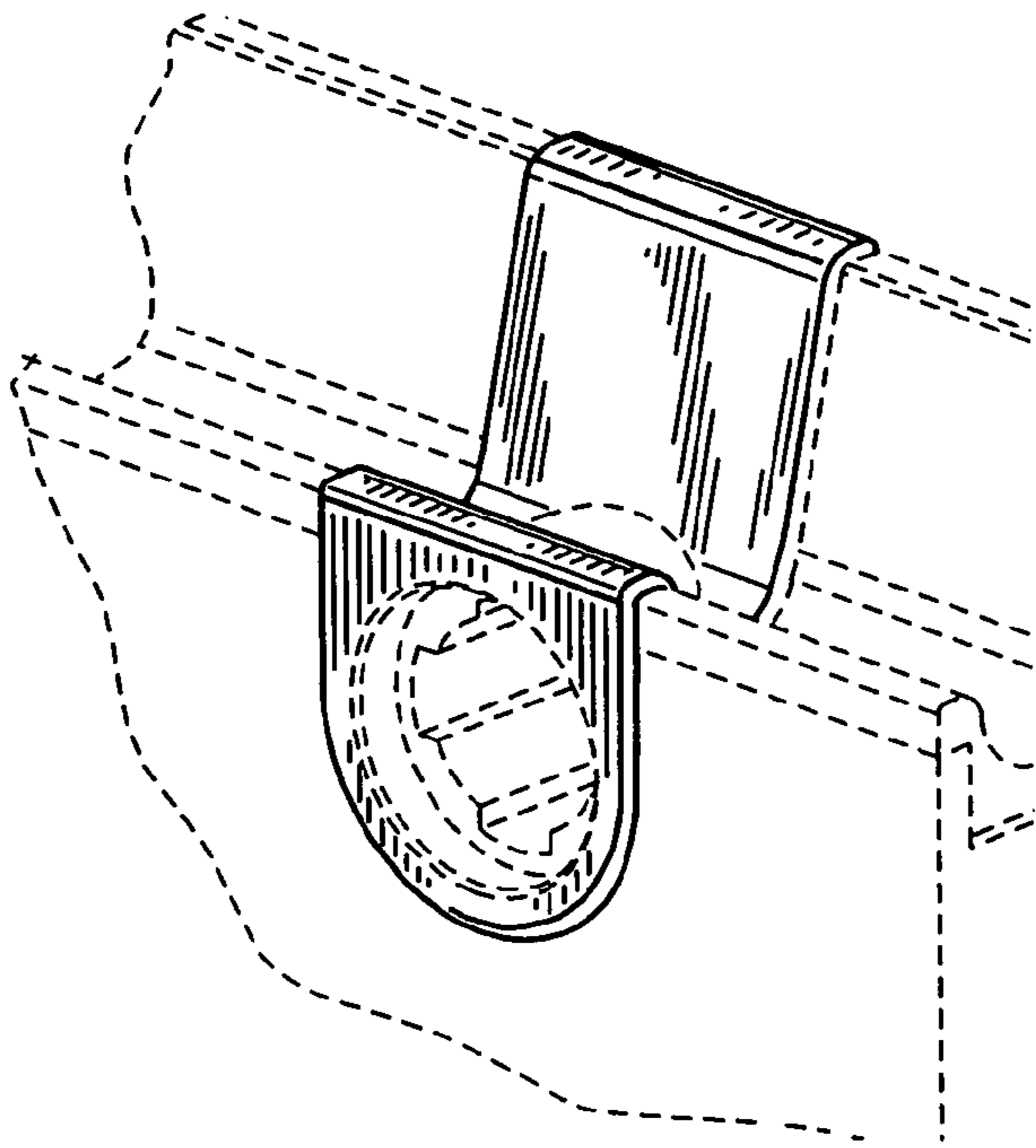


FIG. 1

FIG. 2

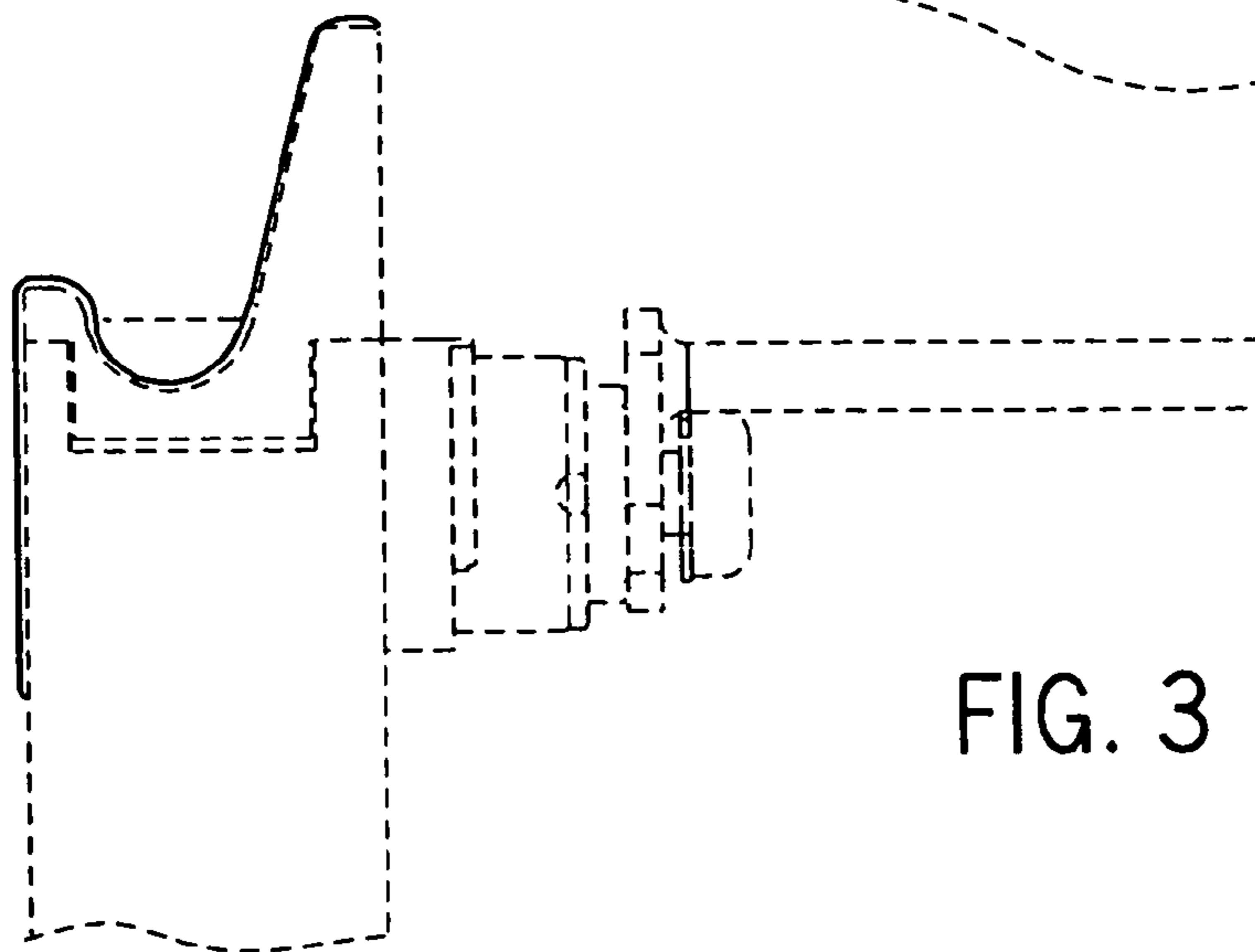
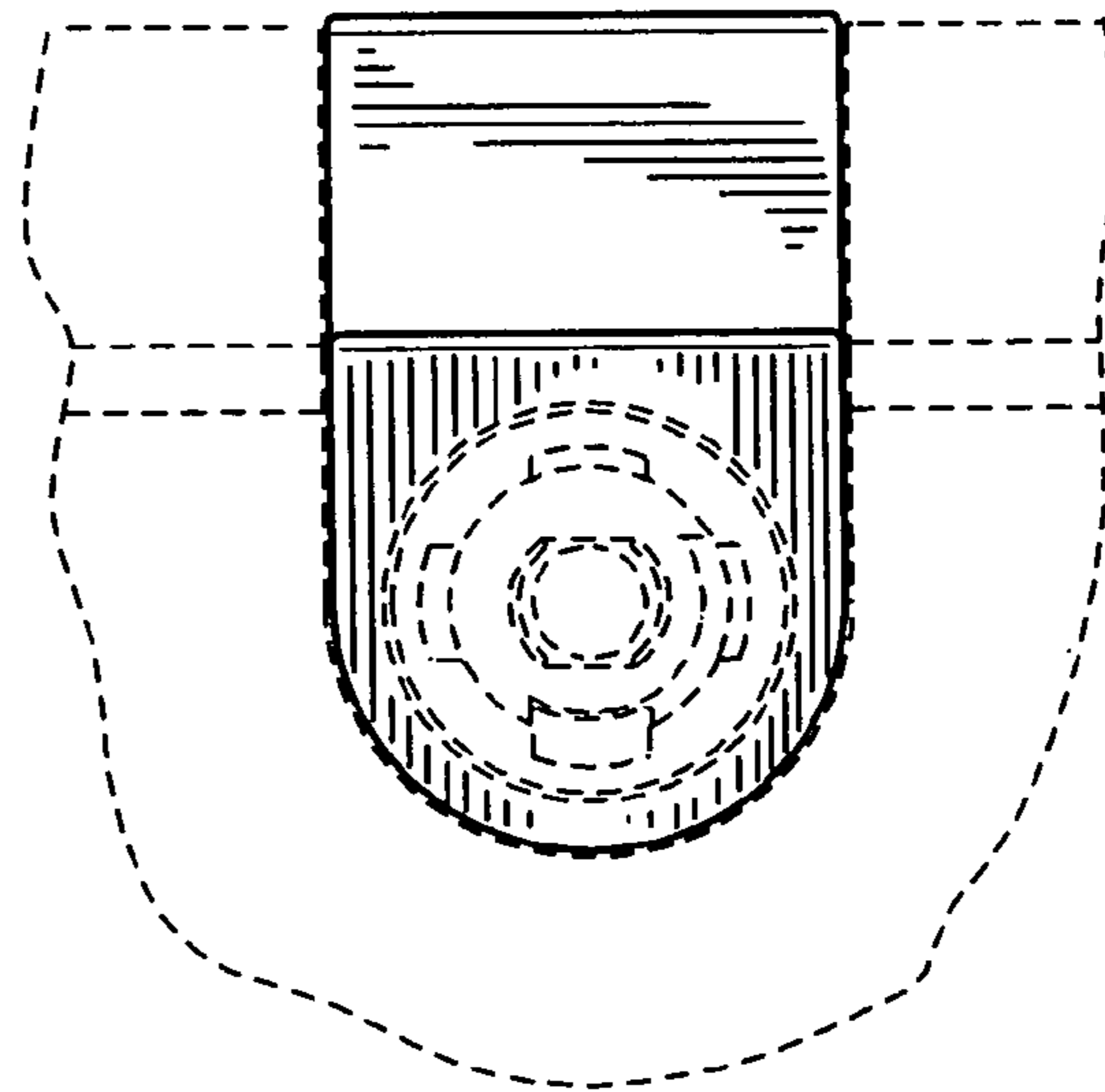


FIG. 3

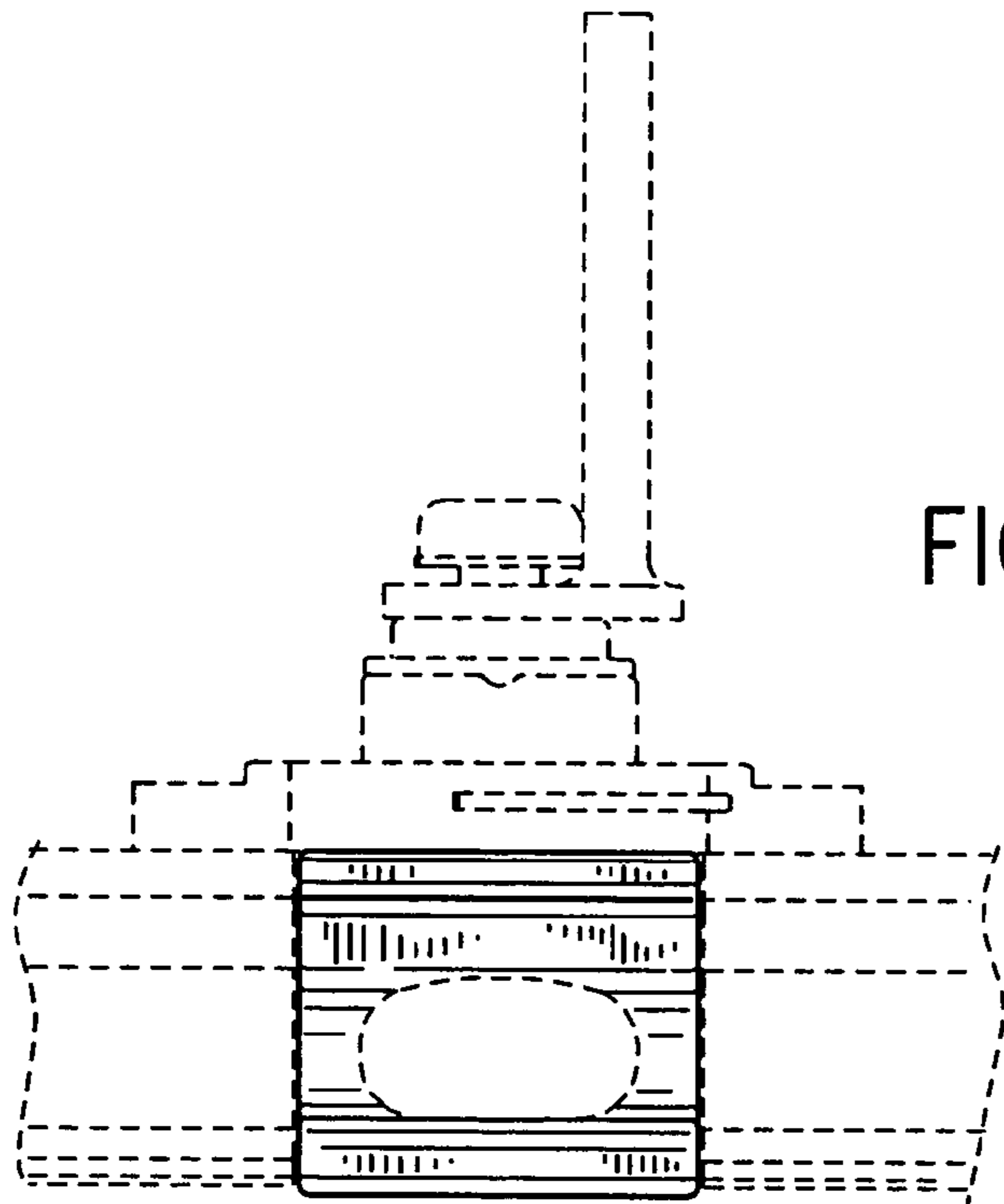


FIG. 4

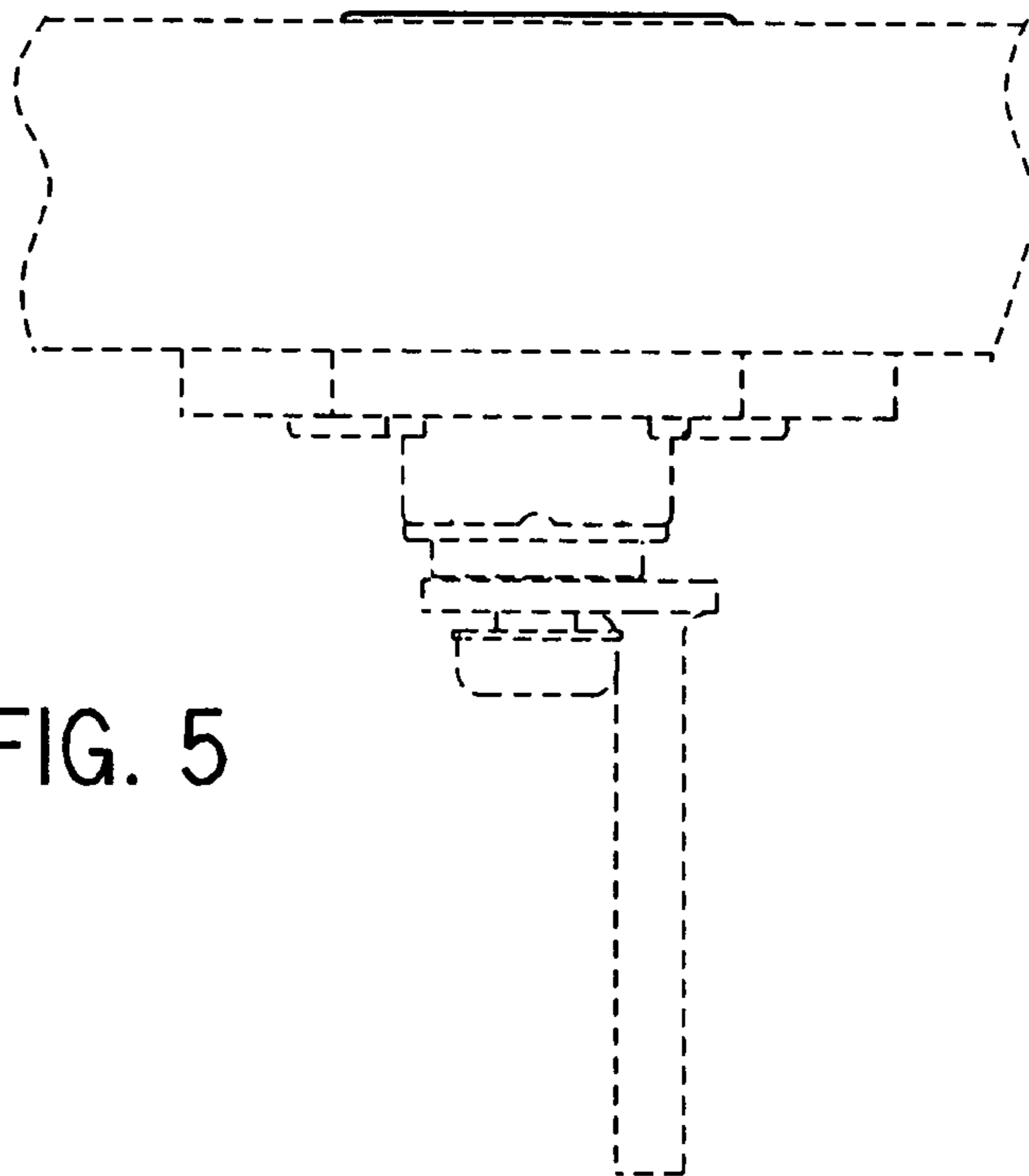


FIG. 5