



US00D564325S

(12) **United States Design Patent** (10) **Patent No.:** **US D564,325 S**
Henke et al. (45) **Date of Patent:** **** Mar. 18, 2008**

(54) **SANDER TOOL** 4,516,361 A 5/1985 Gringer
4,658,461 A 4/1987 Roe et al.
(75) Inventors: **David R. Henke**, Maple Grove, MN 4,885,876 A 12/1989 Henke
(US); **Thomas Grimm**, Robbinsdale, MN (US) 4,937,984 A 7/1990 Taranto
D310,012 S * 8/1990 Henke et al. D8/90
5,103,599 A 4/1992 Carlson
(73) Assignee: **Warner Manufacturing Company**, 5,168,672 A * 12/1992 Gregoire, Sr. 451/502
Minneapolis, MN (US) 5,293,662 A 3/1994 Newman, Sr. et al.
D346,944 S 5/1994 Poole
(**) Term: **14 Years** 5,319,888 A 6/1994 Huber et al.

(21) Appl. No.: **29/255,203**

(Continued)

(22) Filed: **Mar. 6, 2006**

OTHER PUBLICATIONS

(51) **LOC (8) Cl.** **08-05**

U.S. Appl. No. 11/372,622.

(52) **U.S. Cl.** **D8/90**

(Continued)

(58) **Field of Classification Search** D8/90,
D8/91, 92, 93, 107; 451/513, 514, 515, 522,
451/524, 525, 516

Primary Examiner—Philip S. Hyder
(74) *Attorney, Agent, or Firm*—Hamre, Schumann, Mueller
& Larson, P.C.

See application file for complete search history.

(56) **References Cited**

(57) **CLAIM**

U.S. PATENT DOCUMENTS

The ornamental design for a sander tool, as shown and described.

- 1,544,368 A 6/1925 Brennan
- 1,966,633 A 7/1934 Lee
- 2,201,645 A 3/1940 Epner
- 2,334,039 A 11/1943 Rueb
- 2,437,827 A 3/1948 Lund
- 2,454,668 A 11/1948 Nissenbaum
- 2,663,979 A 12/1953 Sierchio
- 2,711,059 A 6/1955 Ames
- 2,954,649 A 10/1960 Carroll et al.
- 3,123,946 A 3/1964 Hoveland
- 3,224,149 A 12/1965 Harrington et al.
- 3,231,917 A 2/1966 Reed
- 3,362,037 A 1/1968 Griffin
- 3,483,662 A 12/1969 Ames
- 3,498,009 A 3/1970 Taafe
- 3,850,533 A 11/1974 Thielen
- 3,991,431 A 11/1976 Thielen
- 4,221,084 A 9/1980 Frantzen
- 4,225,998 A 10/1980 Thielen
- 4,475,262 A 10/1984 Downer
- 4,516,360 A 5/1985 Gringer et al.

DESCRIPTION

FIG. 1 is a perspective view of a sander tool showing our new design;

FIG. 2 is a top plan view thereof;

FIG. 3 is a front elevational view thereof;

FIG. 4 is a rear elevational view thereof;

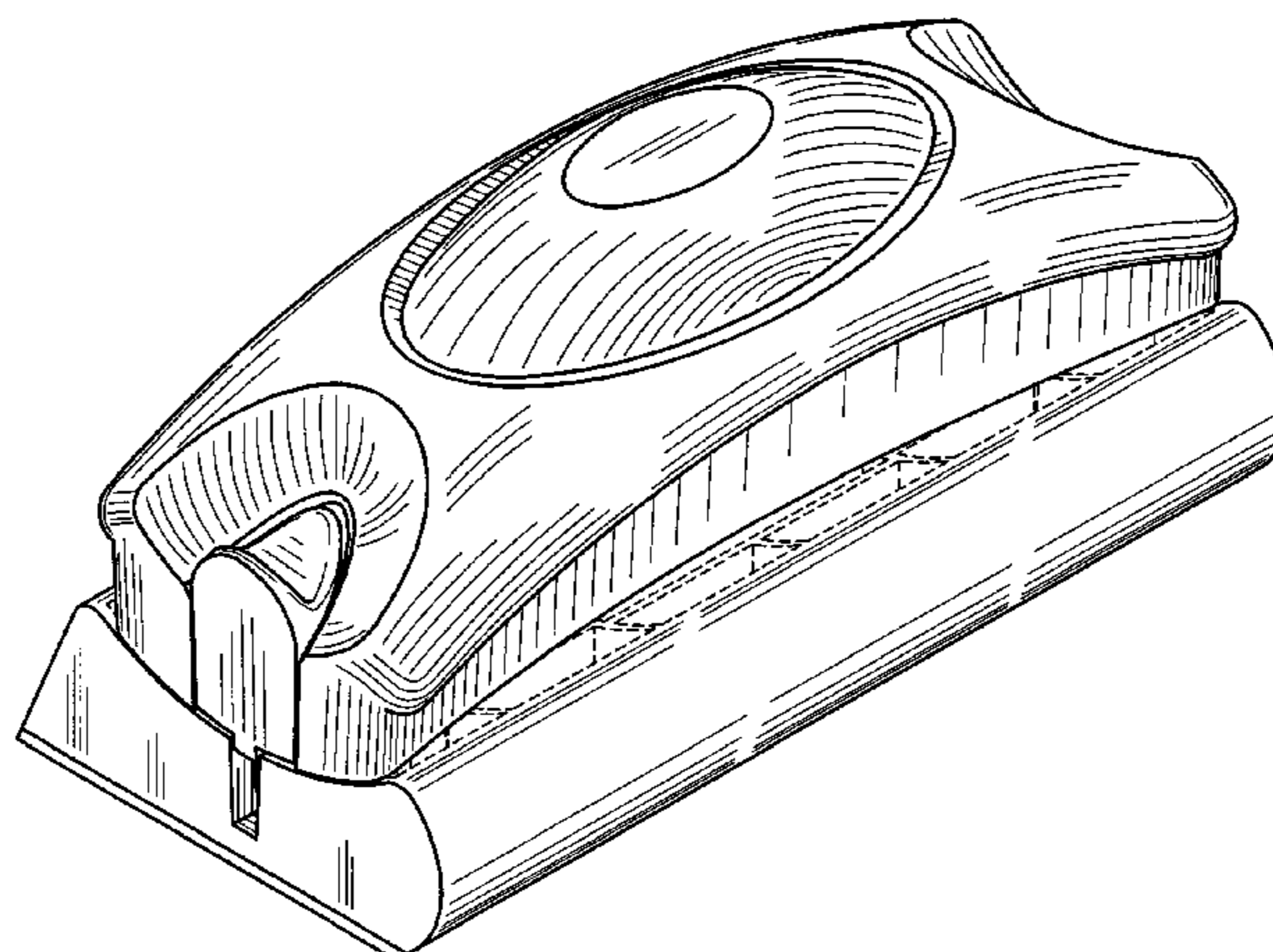
FIG. 5 is a left side elevational view thereof;

FIG. 6 is a right side elevational view thereof; and,

FIG. 7 is a bottom plan view thereof.

The broken lines are included for the purpose of illustrating unclaimed subject matter and form no part of the claimed design.

1 Claim, 6 Drawing Sheets



US D564,325 S

Page 2

U.S. PATENT DOCUMENTS

| | | | | | | | |
|--------------|------|---------|---------------------|---------|--|--|--|
| D349,635 | S | 8/1994 | Berti et al. | | | | |
| 5,338,128 | A | 8/1994 | Blanco | | | | |
| 5,428,865 | A | 7/1995 | Yarbrough | | | | |
| 5,474,490 | A | 12/1995 | Allport | | | | |
| D369,080 | S | 4/1996 | Tollis | | | | |
| 5,512,010 | A * | 4/1996 | Labad, Jr. | 451/344 | | | |
| 5,588,904 | A | 12/1996 | Allport | | | | |
| 5,718,622 | A | 2/1998 | Jones | | | | |
| 5,876,141 | A | 3/1999 | Hsu | | | | |
| 5,902,176 | A * | 5/1999 | Chen | 451/524 | | | |
| 6,095,911 | A | 8/2000 | Edens | | | | |
| 6,227,959 | B1 | 5/2001 | Beaudry | | | | |
| 6,305,043 | B1 | 10/2001 | Rosnak | | | | |
| 6,379,237 | B1 | 4/2002 | Gordon | | | | |
| D462,597 | S * | 9/2002 | Deshler | D8/90 | | | |
| 6,524,175 | B2 | 2/2003 | Beaudry et al. | | | | |
| D477,764 | S * | 7/2003 | Magann | D8/90 | | | |
| 6,634,937 | B1 * | 10/2003 | Edwards et al. | 451/502 | | | |
| 6,641,469 | B2 * | 11/2003 | Deshler | 451/514 | | | |
| 6,659,852 | B1 | 12/2003 | Wettstein et al. | | | | |
| 6,722,967 | B1 | 4/2004 | Oddo et al. | | | | |
| 6,889,917 | B2 | 5/2005 | Fahy et al. | | | | |
| 6,935,936 | B2 * | 8/2005 | Goulet et al. | 451/344 | | | |
| 6,942,004 | B2 | 9/2005 | Whittemore | | | | |
| 6,953,076 | B2 | 10/2005 | Whittemore | | | | |
| D512,295 | S | 12/2005 | Florio | | | | |
| 6,988,940 | B1 | 1/2006 | Taylor | | | | |
| 6,991,529 | B2 | 1/2006 | Annis et al. | | | | |
| 7,033,259 | B1 | 4/2006 | Seasholtz et al. | | | | |
| D527,240 | S * | 8/2006 | Kirschhoffer et al. | D8/90 | | | |
| D530,178 | S * | 10/2006 | Bortz | D8/90 | | | |
| 7,144,300 | B1 * | 12/2006 | Cybulski et al. | 451/525 | | | |
| 2005/0287937 | A1 | 12/2005 | Florio | | | | |
| 2006/0205331 | A1 | 9/2006 | Gringer et al. | | | | |

OTHER PUBLICATIONS

U.S. Appl. No. 29/255,297.

* cited by examiner

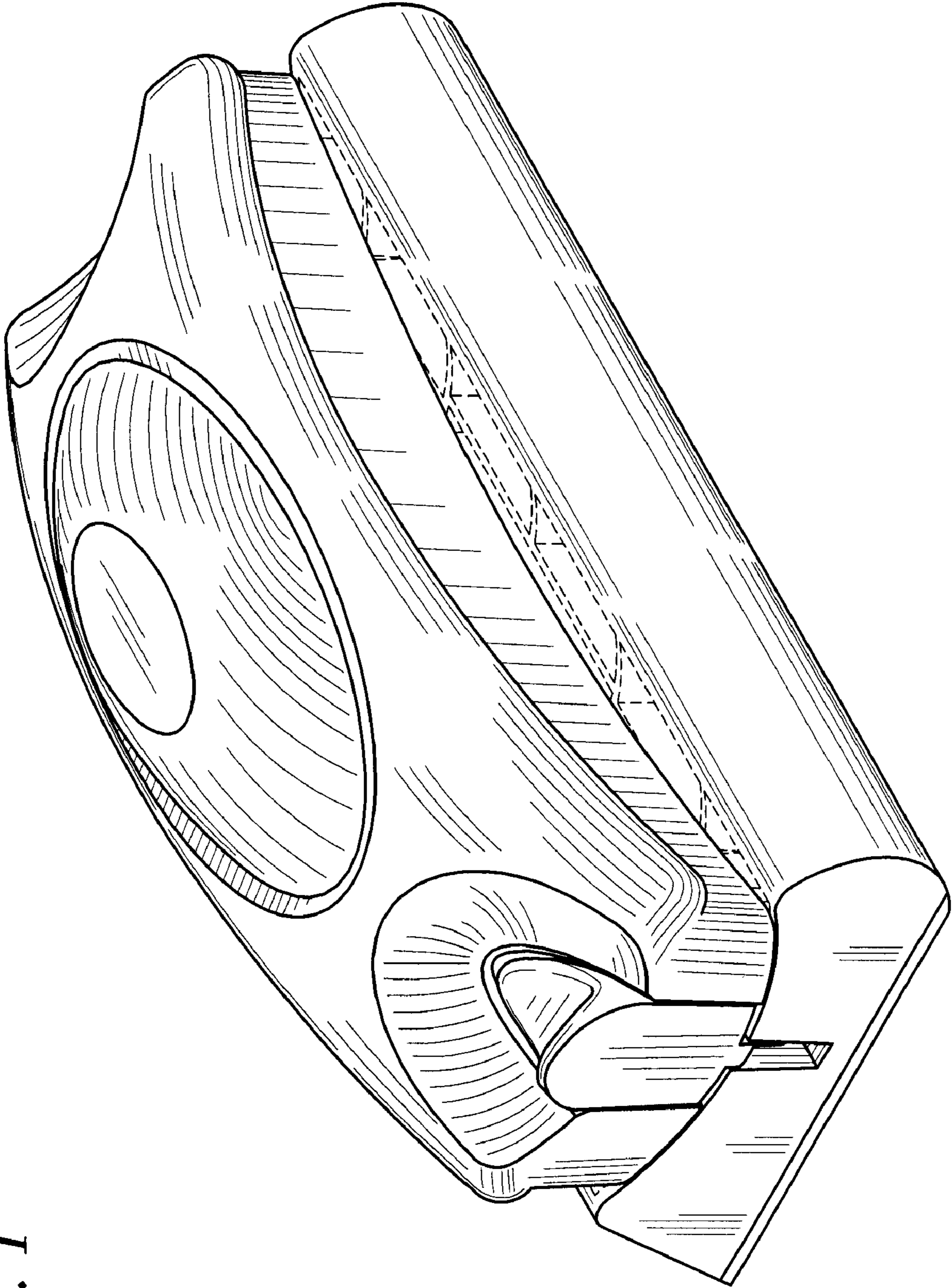


Fig. 1

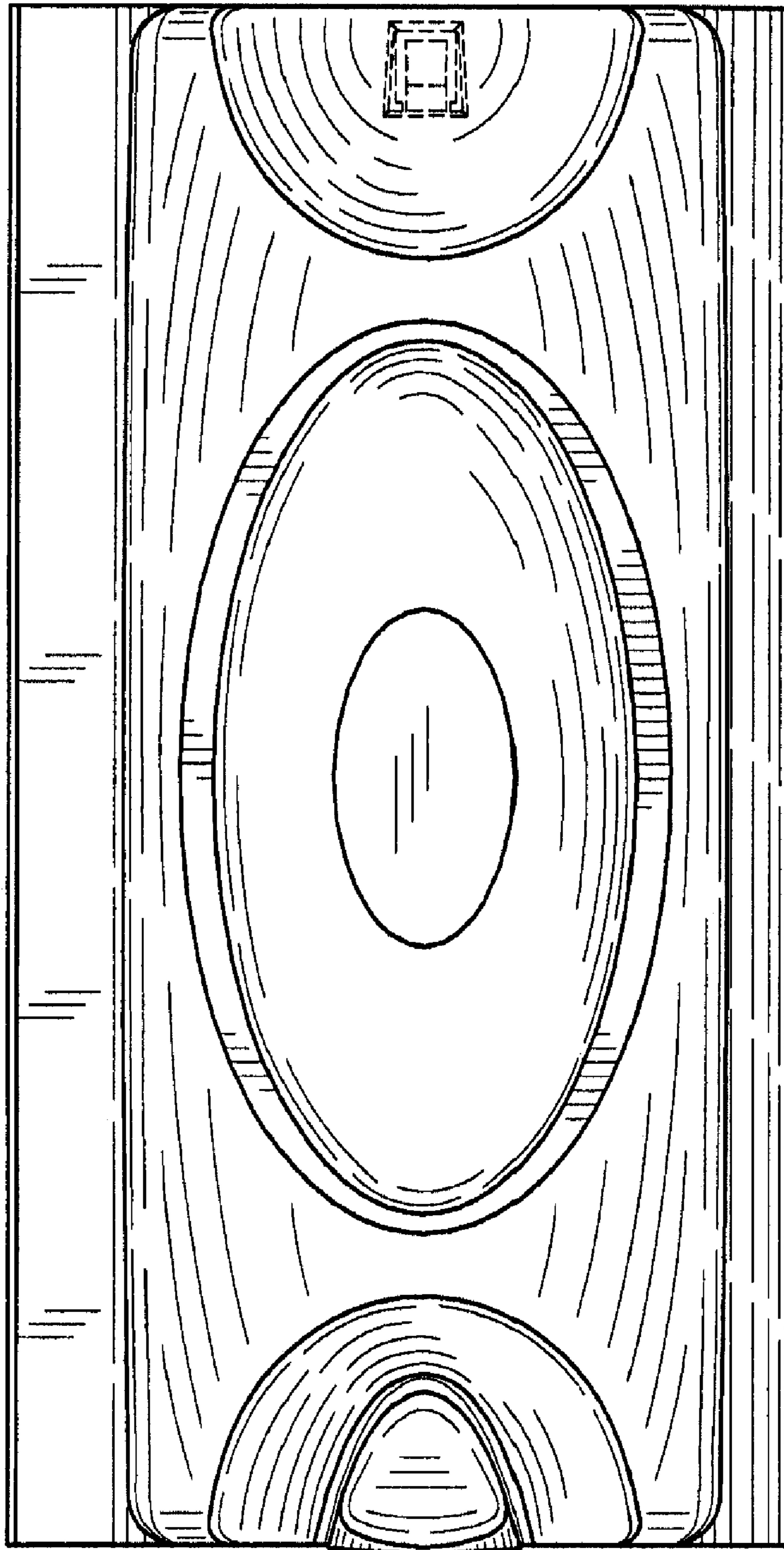


Fig. 2

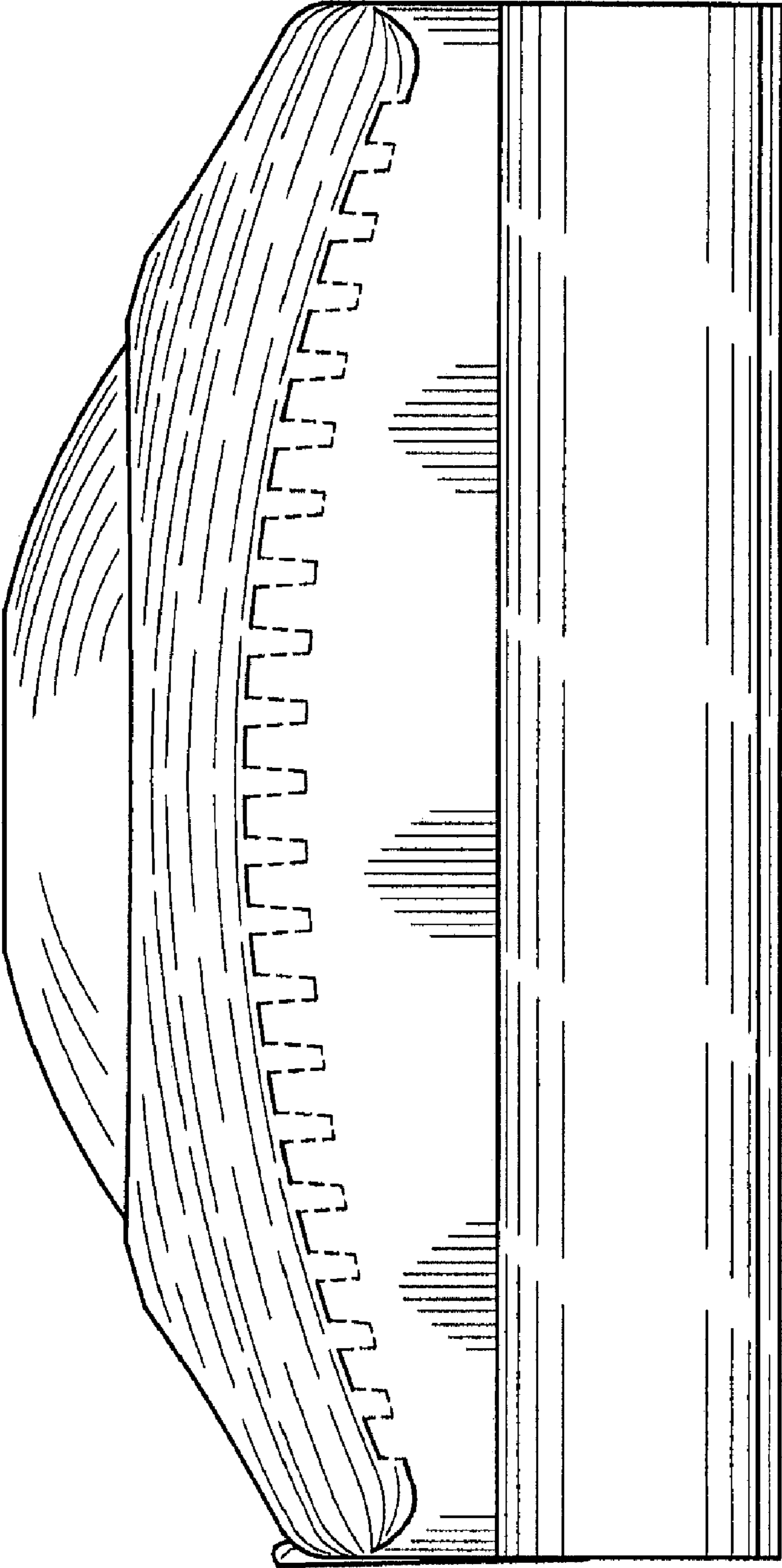


Fig. 3

Fig. 4

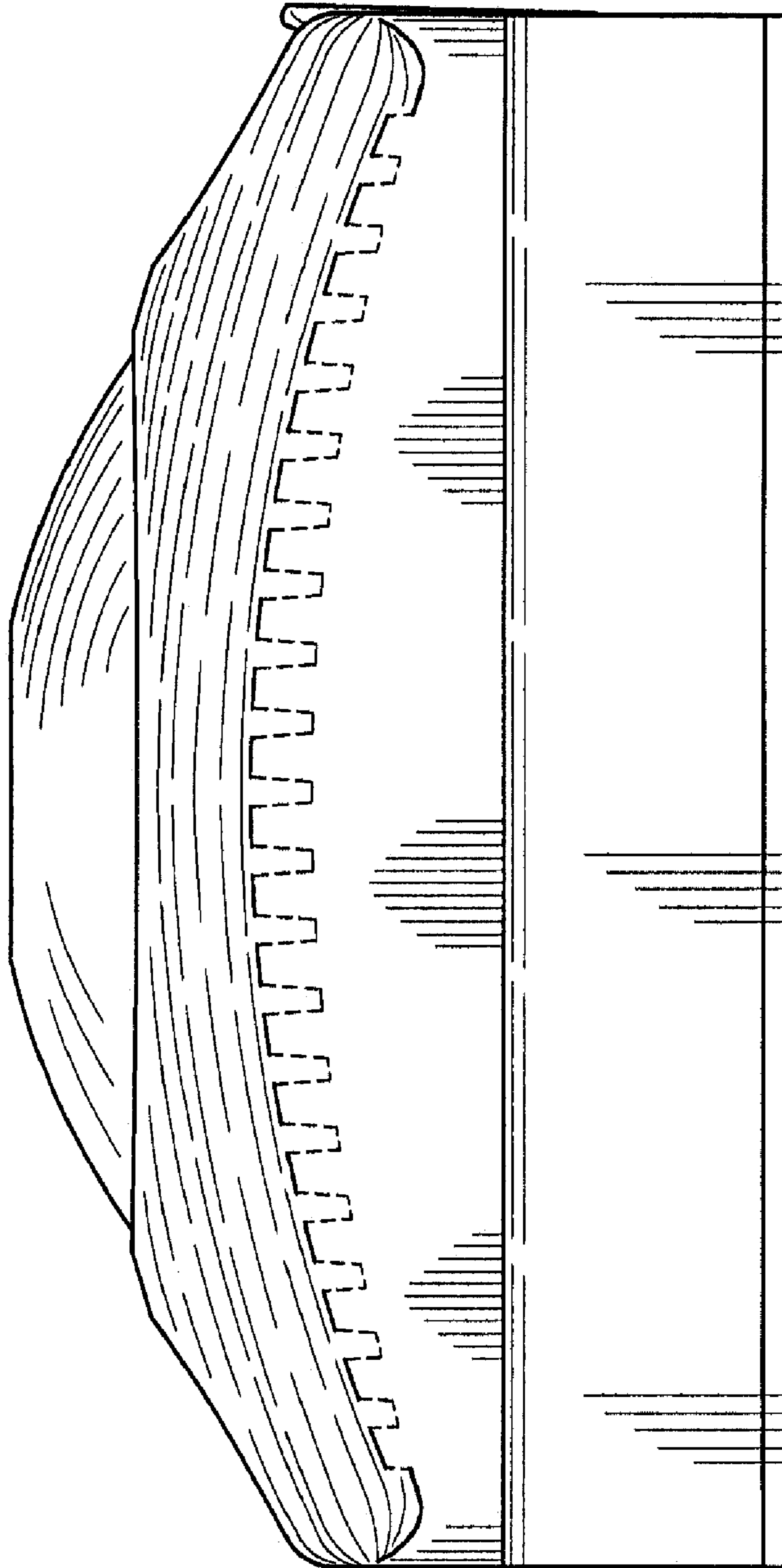


Fig. 6

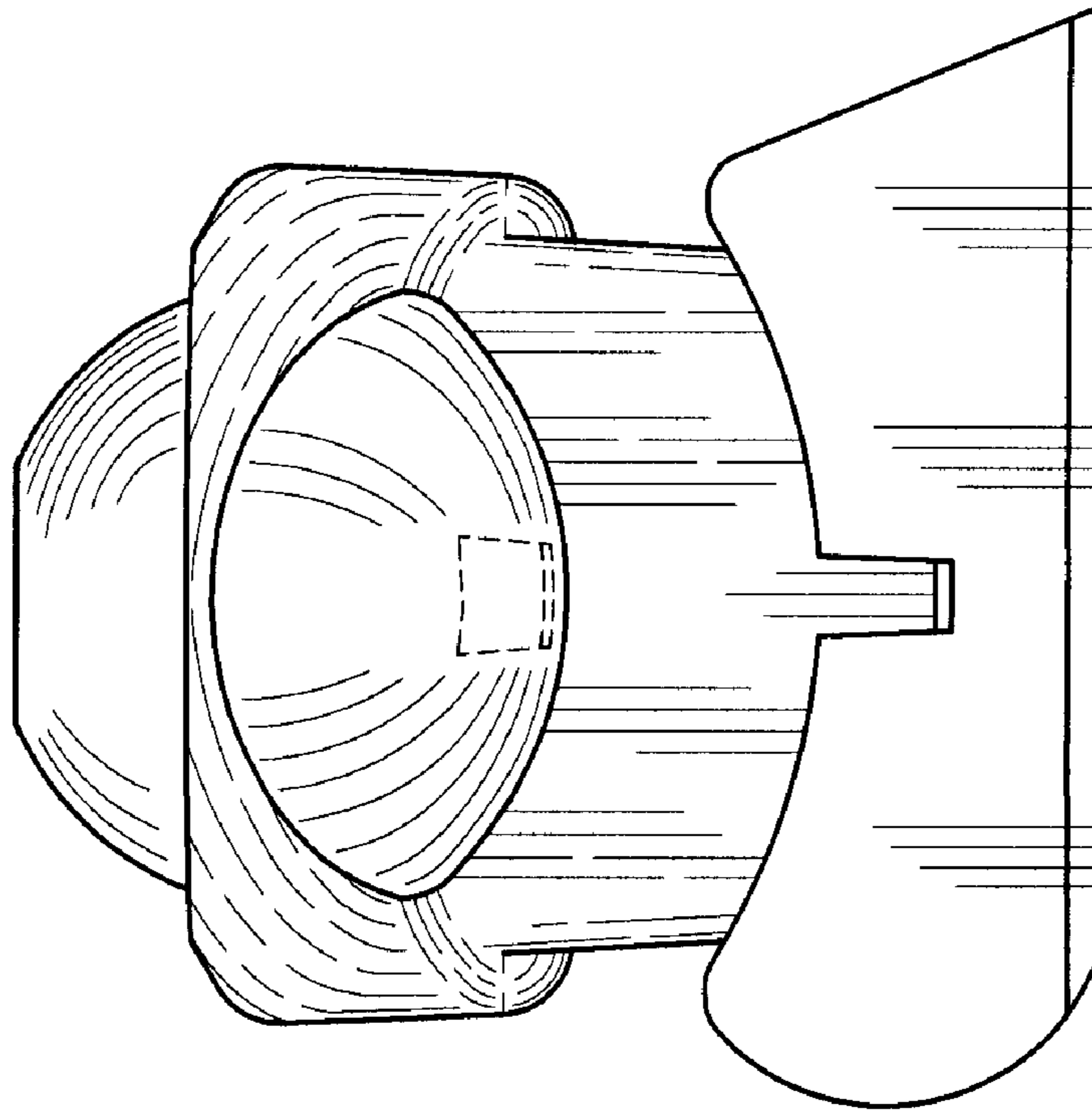


Fig. 5

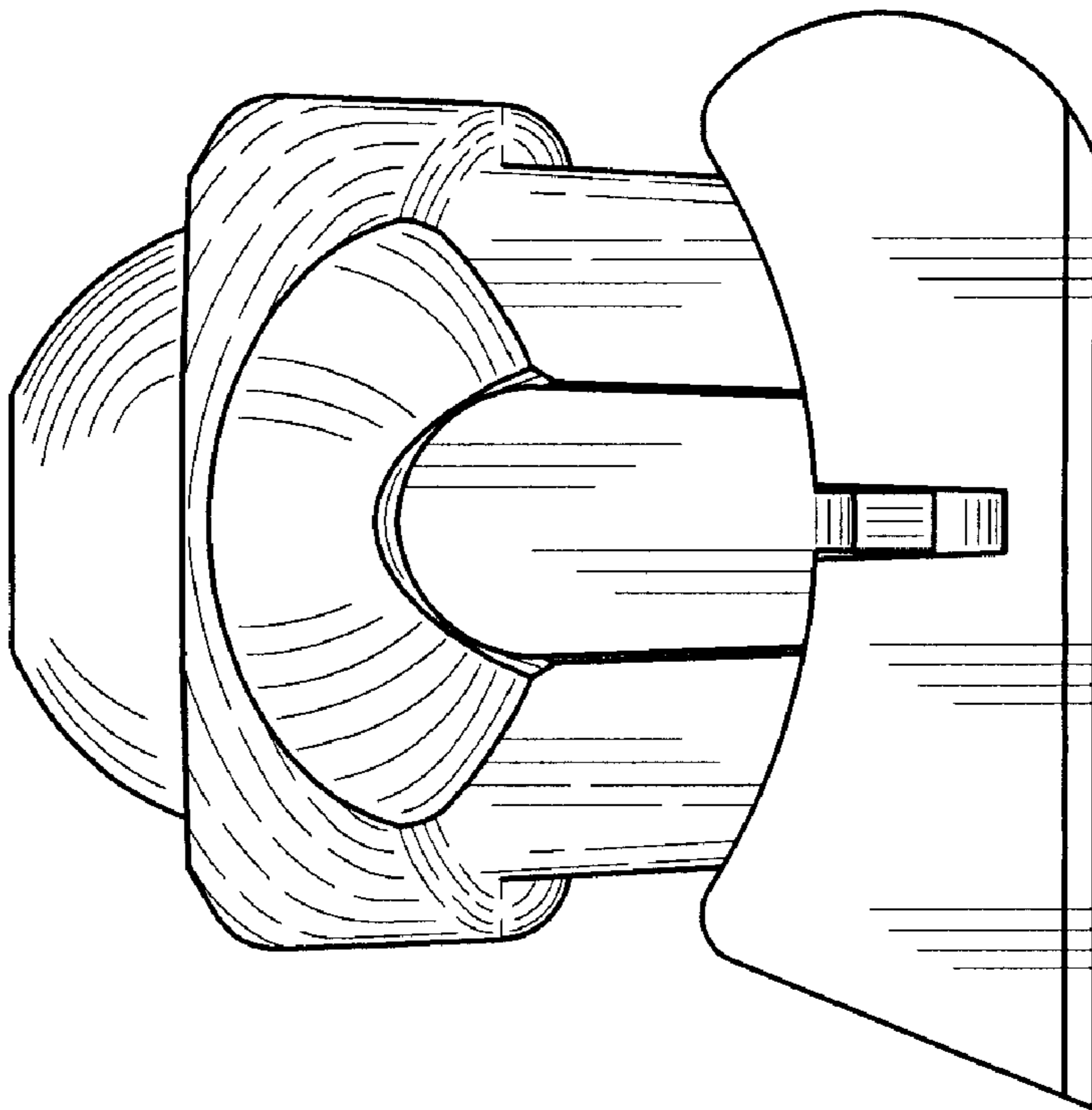


Fig. 7

